



US00D512022S

(12) **United States Design Patent** (10) **Patent No.:** **US D512,022 S**
Riku (45) **Date of Patent:** **** Nov. 29, 2005**

(54) **ELECTRICAL CONNECTOR**

(75) Inventor: **Kazuya Riku**, Tokyo (JP)

(73) Assignee: **Tyco Electronics AMP K.K.**,
Kanagawa-ken (JP)

(**) Term: **14 Years**

(21) Appl. No.: **29/219,113**

(22) Filed: **Dec. 13, 2004**

(30) **Foreign Application Priority Data**

Jun. 15, 2004 (JP) 2004-017862

(51) **LOC (8) Cl.** **13-03**

(52) **U.S. Cl.** **D13/147**

(58) **Field of Search** D13/133, 184,
D13/154, 199, 146-147; 439/79, 101, 108,
344, 350, 352, 447, 557, 571, 573, 540.1,
541.5, 607-608, 825

(56) **References Cited**

U.S. PATENT DOCUMENTS

- 5,259,768 A * 11/1993 Brunner et al. 439/60
- D434,379 S * 11/2000 Funatsu D13/147
- 6,149,468 A * 11/2000 Meng 439/637
- 6,210,240 B1 * 4/2001 Comerci et al. 439/853
- 6,319,075 B1 11/2001 Clark et al.

- D452,481 S * 12/2001 Shimojyo D13/147
- D453,735 S * 2/2002 Yoneyama et al. D13/147
- D462,057 S * 8/2002 Okamoto D13/147
- D474,747 S * 5/2003 Naganawa et al. D13/147
- D474,749 S * 5/2003 Naganawa et al. D13/147
- D475,017 S * 5/2003 Naganawa et al. D13/147
- 6,688,909 B1 * 2/2004 Espenshade et al. 439/490
- D492,258 S * 6/2004 Naganawa et al. D13/147

* cited by examiner

Primary Examiner—Stella Reid
Assistant Examiner—Daniel Bui
(74) *Attorney, Agent, or Firm*—Barley Snyder

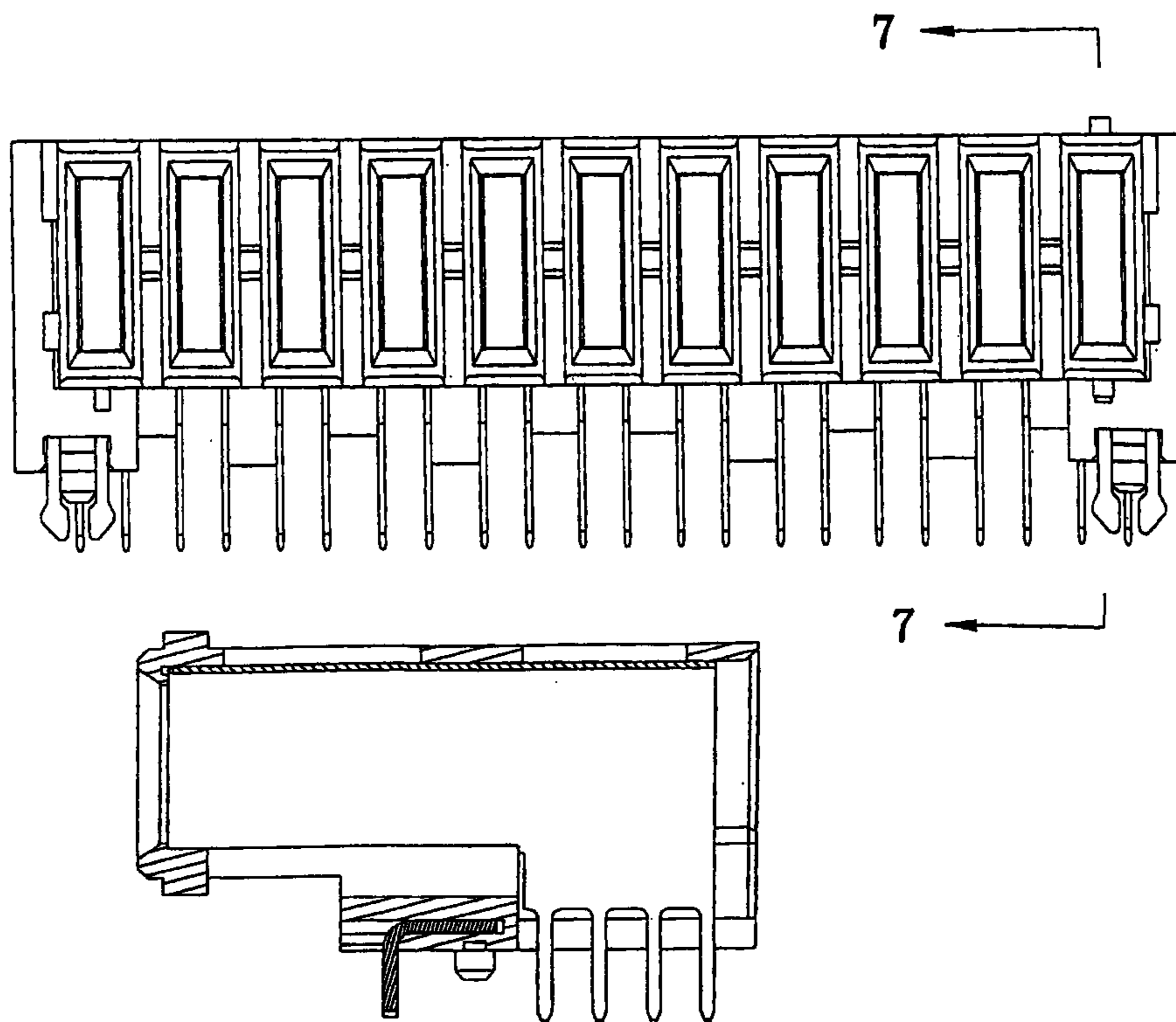
(57) **CLAIM**

The ornamental design for an electrical connector, as shown and described.

DESCRIPTION

FIG. 1 is a front elevation view of an electrical connector, showing my new design;
FIG. 2 is a top plan view thereof;
FIG. 3 is a bottom plan view thereof;
FIG. 4 is a right side elevation view thereof;
FIG. 5 is a left side elevation view thereof;
FIG. 6 is a rear elevation view thereof; and,
FIG. 7 is a cross sectional view thereof, taken along line 7—7 in FIG. 1.

1 Claim, 7 Drawing Sheets



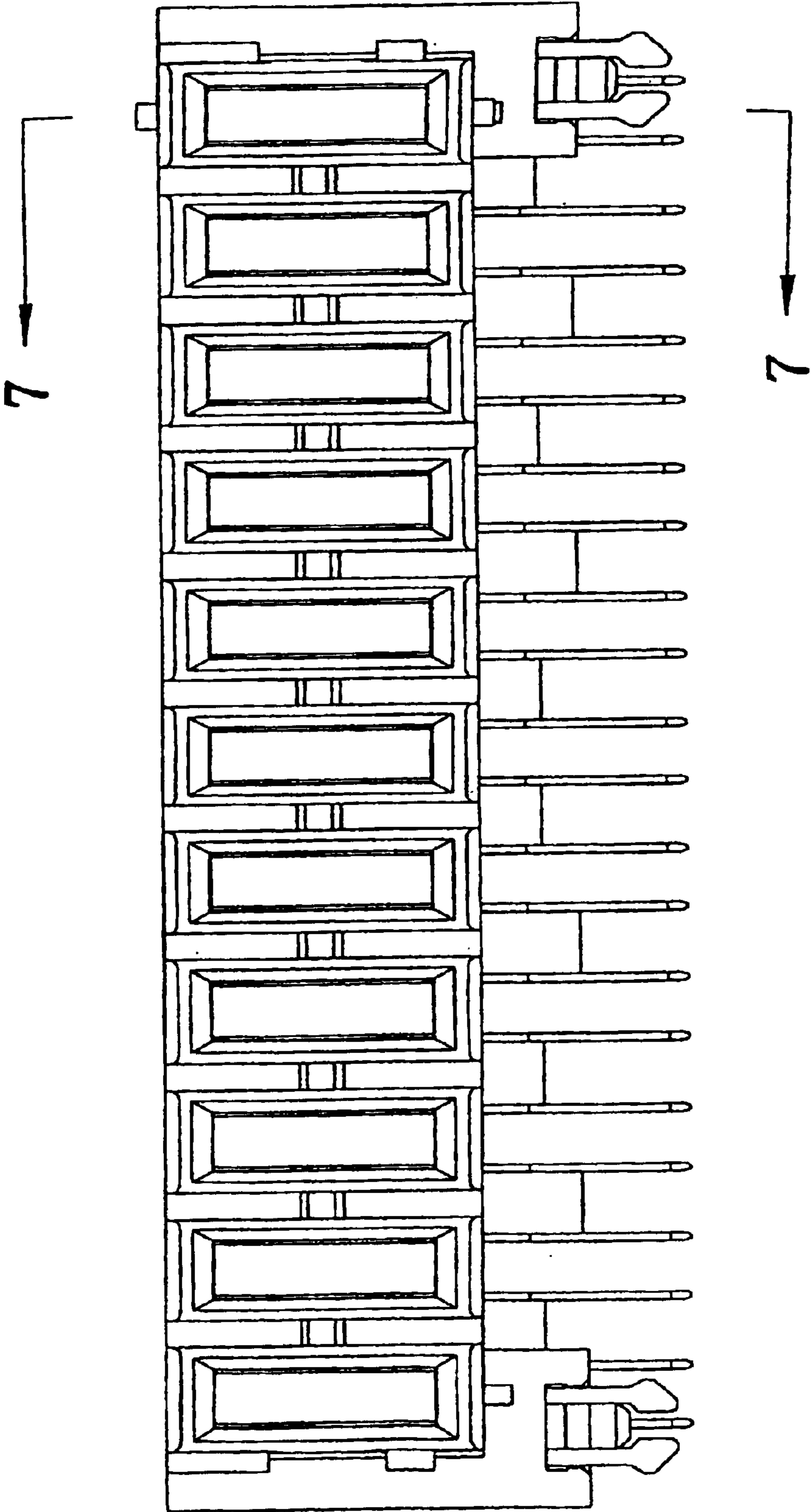


FIG. 1

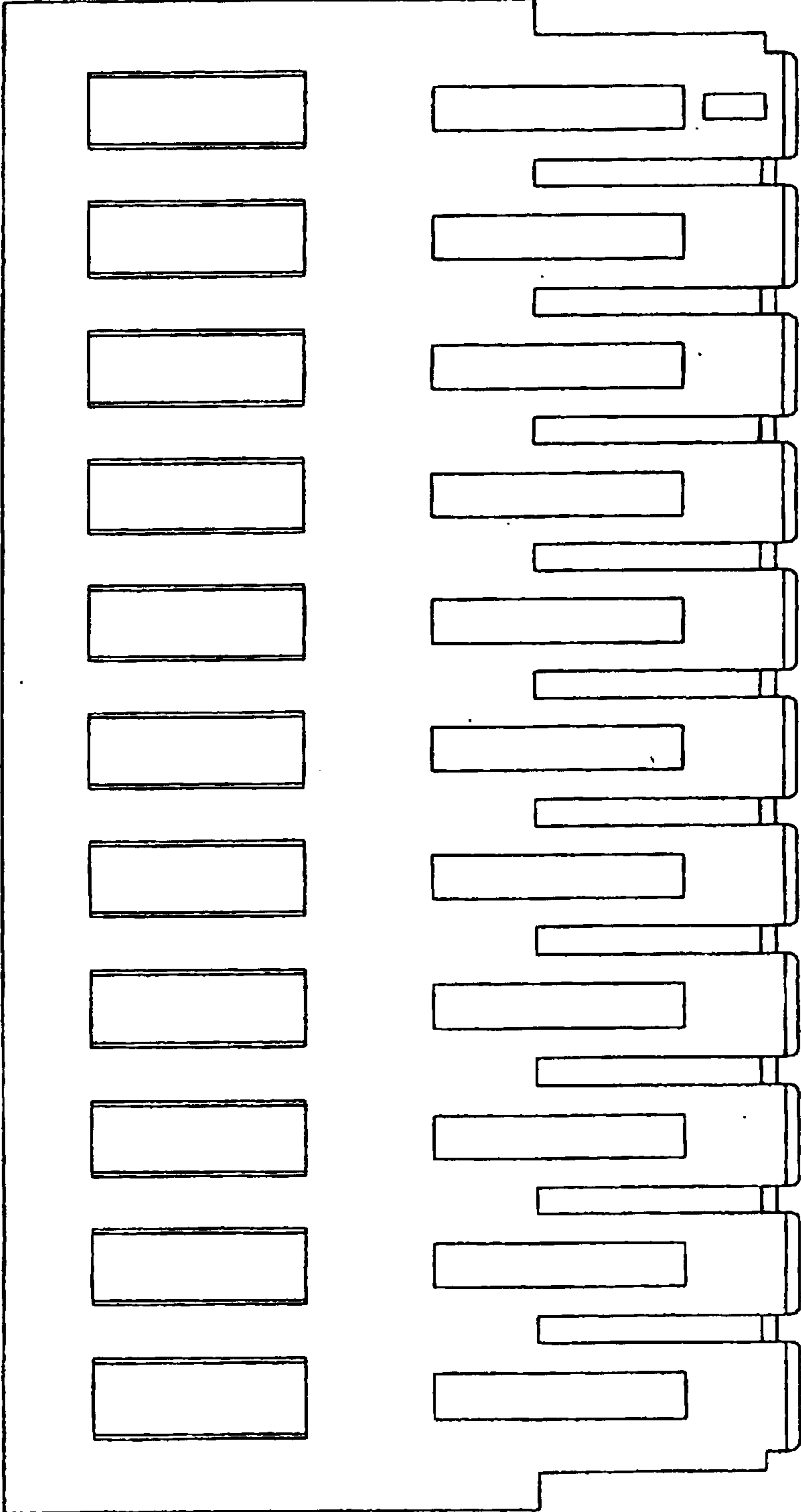


FIG. 2

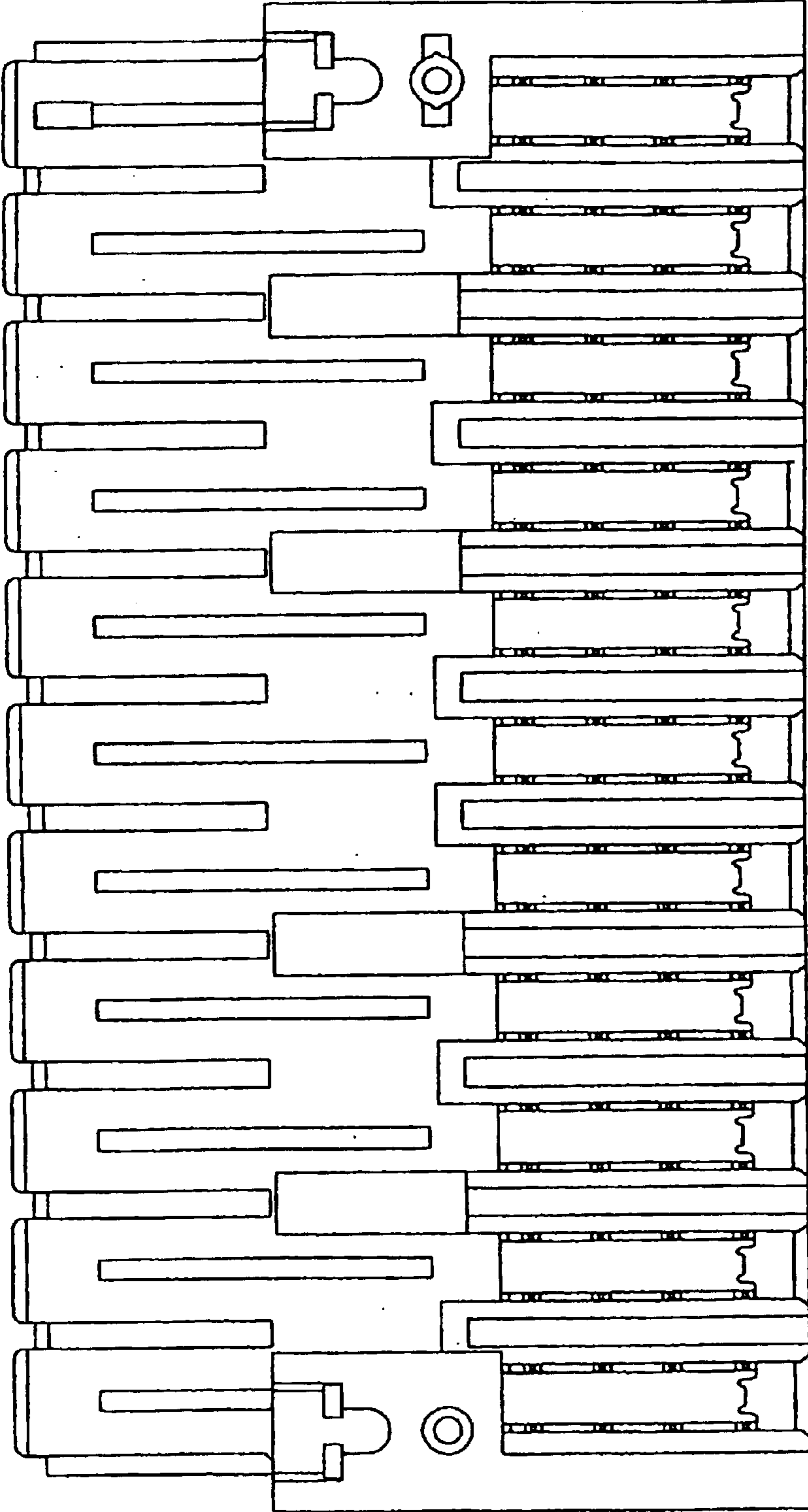


FIG. 3

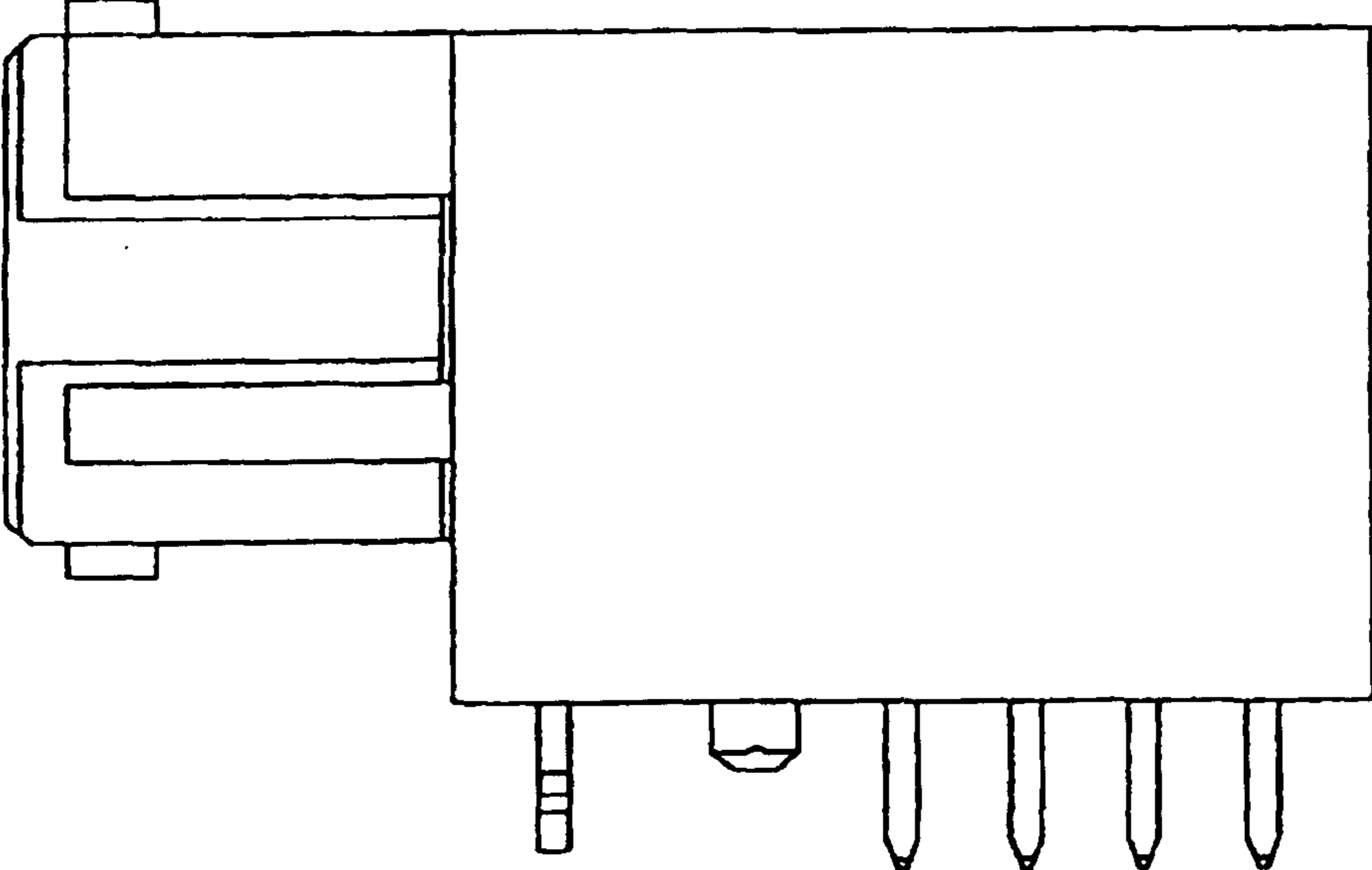


FIG. 4

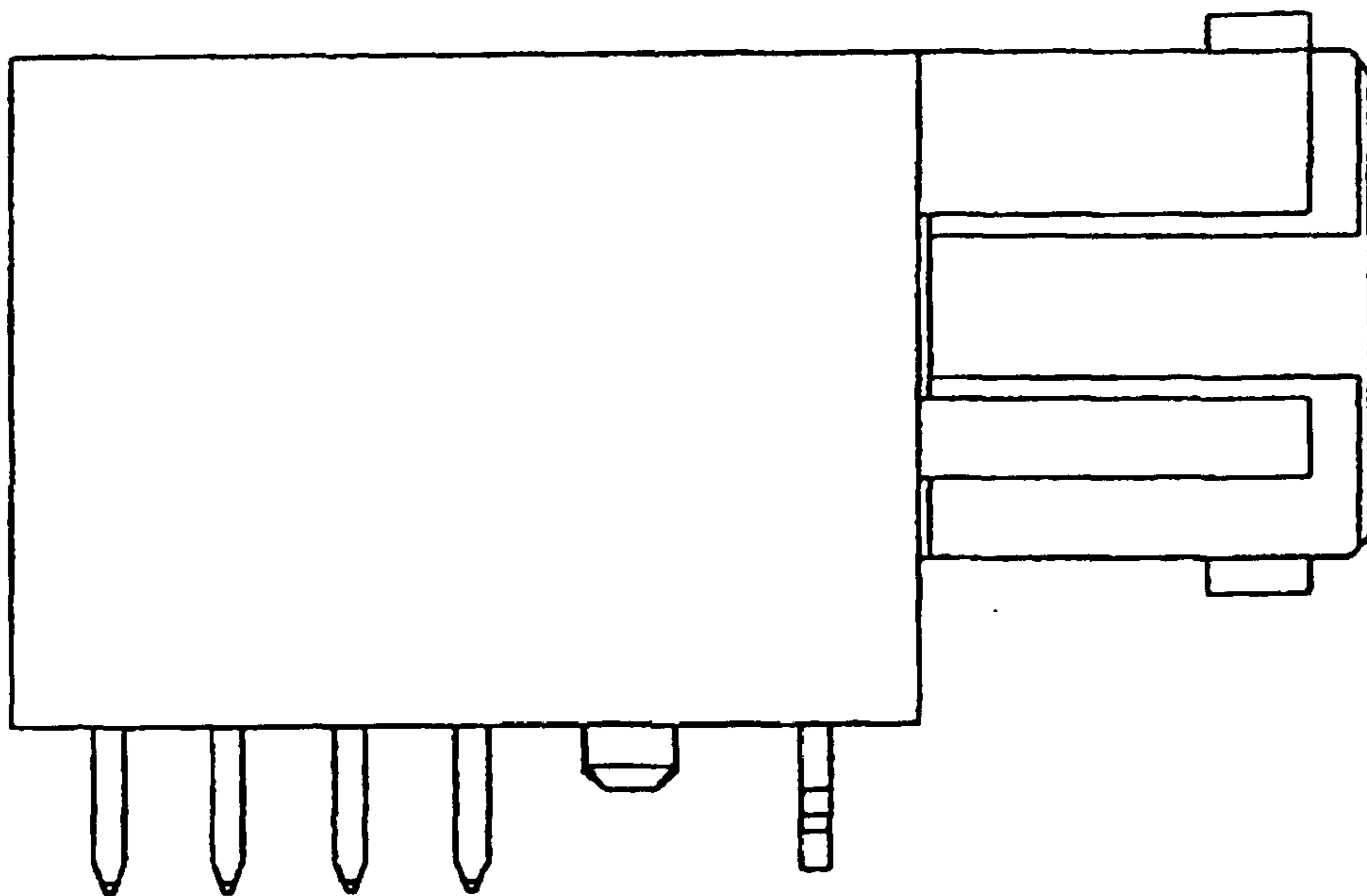


FIG. 5

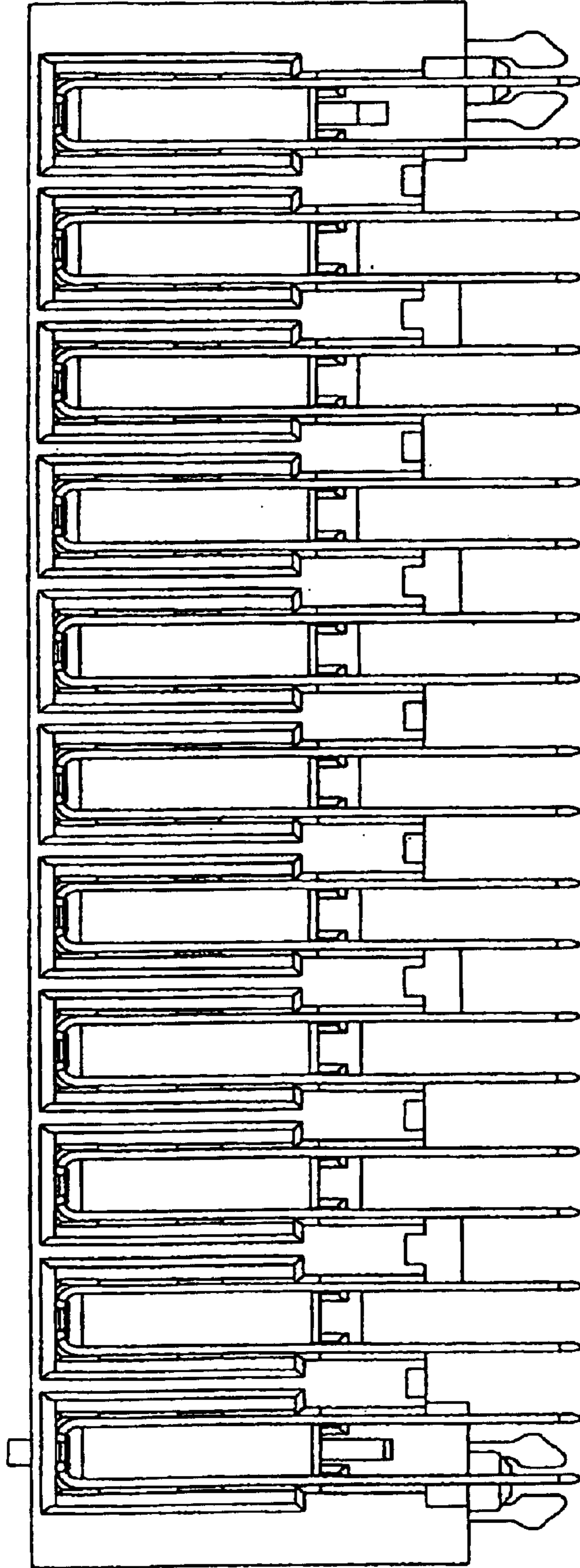


FIG. 6

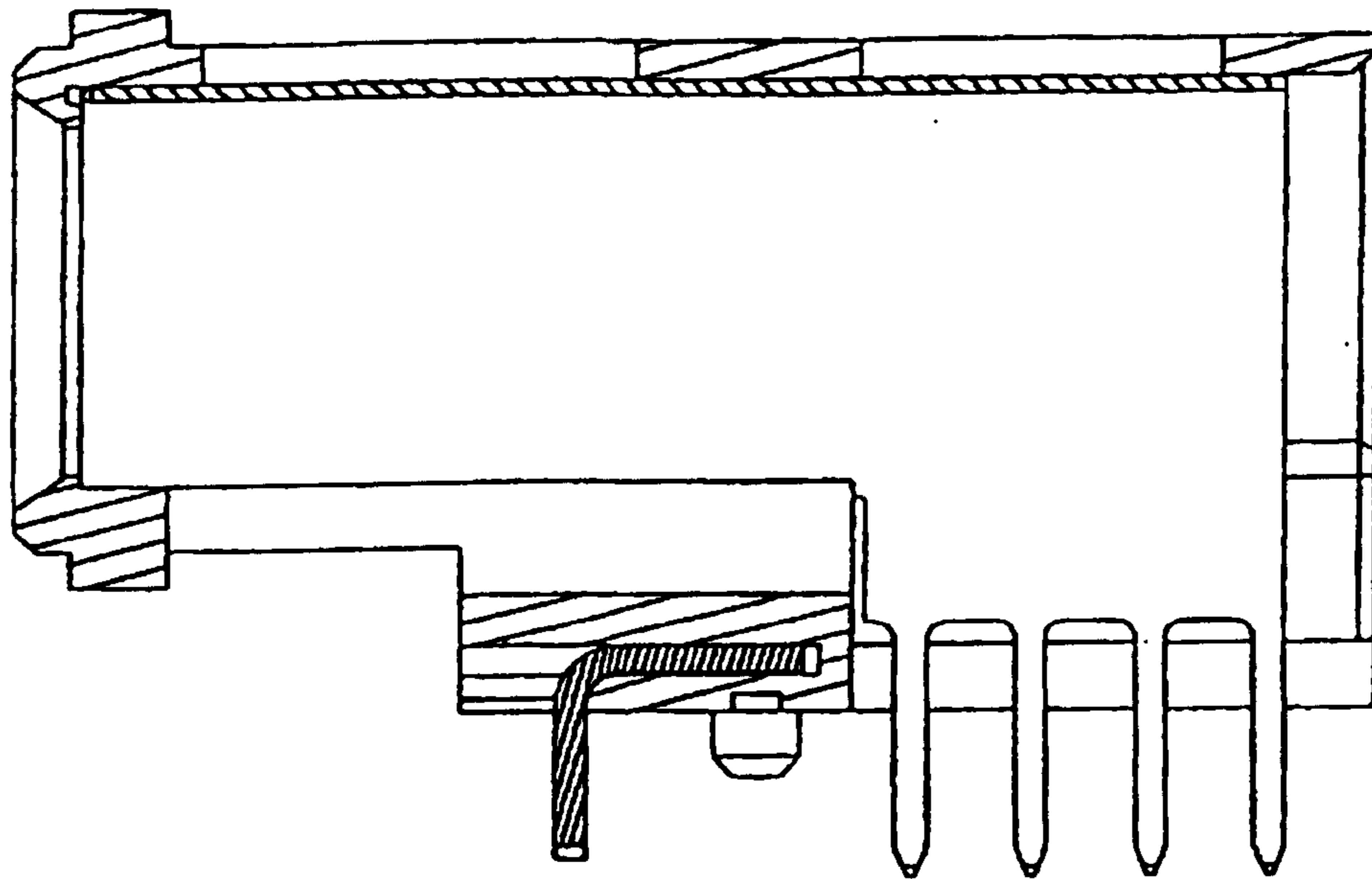


FIG. 7