



US00D512014S

(12) **United States Design Patent** (10) **Patent No.:** **US D512,014 S**
Ishida et al. (45) **Date of Patent:** **** Nov. 29, 2005**

(54) **AUTOMOBILE TIRE**

(75) Inventors: **Masahiro Ishida**, Kanagawa (JP);
Hirohisa Hazama, Kanagawa (JP);
Hiroshi Tokizaki, Tokyo (JP);
Koutarou Iwabuchi, Tokyo (JP); **Izumi Kuramochi**, Tokyo (JP)

(73) Assignee: **The Yokohama Rubber Co., Ltd.**,
Tokyo (JP)

(**) Term: **14 Years**

(21) Appl. No.: **29/211,237**

(22) Filed: **Aug. 13, 2004**

(30) **Foreign Application Priority Data**

Feb. 18, 2004 (JP) 2004-004115

(51) **LOC (8) Cl.** **12-15**

(52) **U.S. Cl.** **D12/550**

(58) **Field of Search** D12/547, 549,
D12/550, 553, 554, 555, 556, 558, 559,
560, 561, 563, 564, 565, 566, 567, 579,
586, 588, 589, 590, 591, 602, 603; 152/209.01,
209.08, 209.09, 209.18, 209.25, 209.28

(56) **References Cited**

U.S. PATENT DOCUMENTS

D397,973 S * 9/1998 Morishita et al. D12/556

D452,667 S * 1/2002 Tsubono D12/554
D485,229 S * 1/2004 Murata D12/556
D489,317 S * 5/2004 Yamane et al. D12/550

* cited by examiner

Primary Examiner—Robert M. Spear
(74) *Attorney, Agent, or Firm*—Rader, Fishman & Grauer
PLLC

(57) **CLAIM**

The ornamental design for automobile tire, as shown and described.

DESCRIPTION

FIG. 1 is a front view of an automobile tire, showing the new design, a top plan view thereof and a bottom plan view thereof appearing the same as the front view;
FIG. 2 is a rear view of the automobile tire;
FIG. 3 is a right side view of the automobile tire;
FIG. 4 is a left side view of the automobile tire;
FIG. 5 is a fragmentary front view, showing in enlargement the portion of 5—5 in FIG. 1;
FIG. 6 is a cross-sectional view, taken along line 6—6 and in the direction of arrows in FIG. 5; and,
FIG. 7 is a perspective view of the automobile tire.
The broken line showing of a sidewall and inner bead represents environmental structure only and form no part of the claimed design.

1 Claim, 3 Drawing Sheets

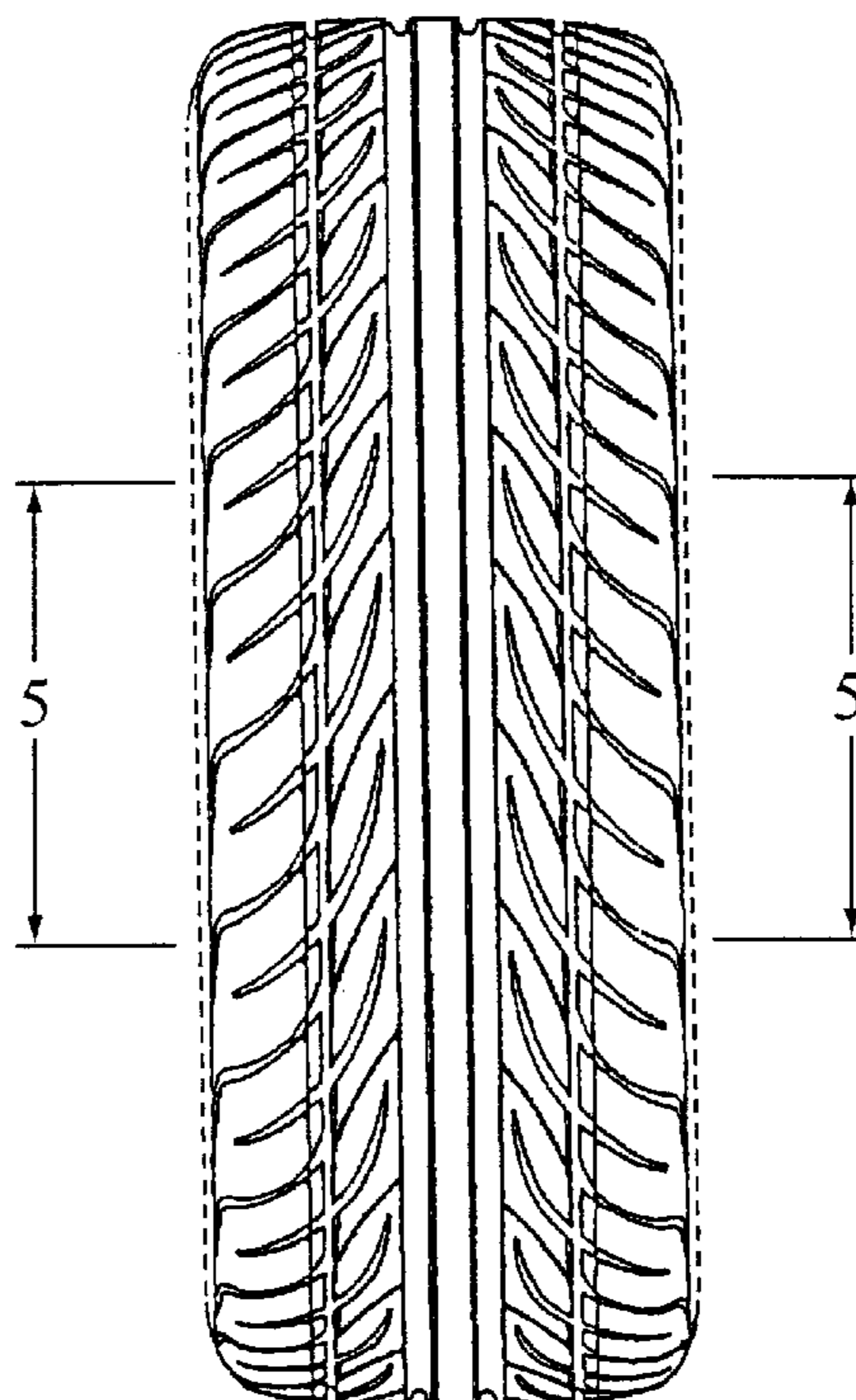


FIG. 1

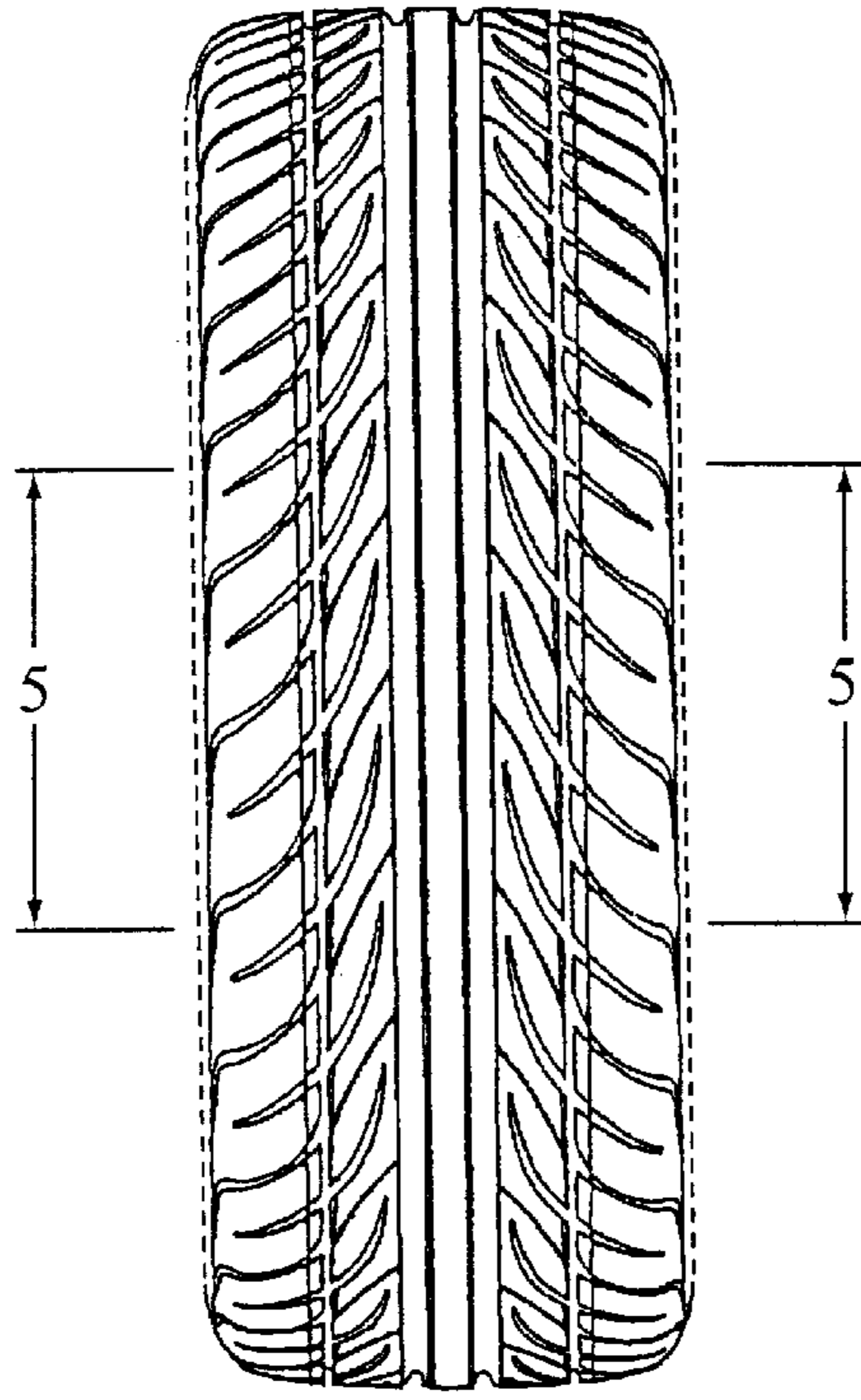


FIG. 2

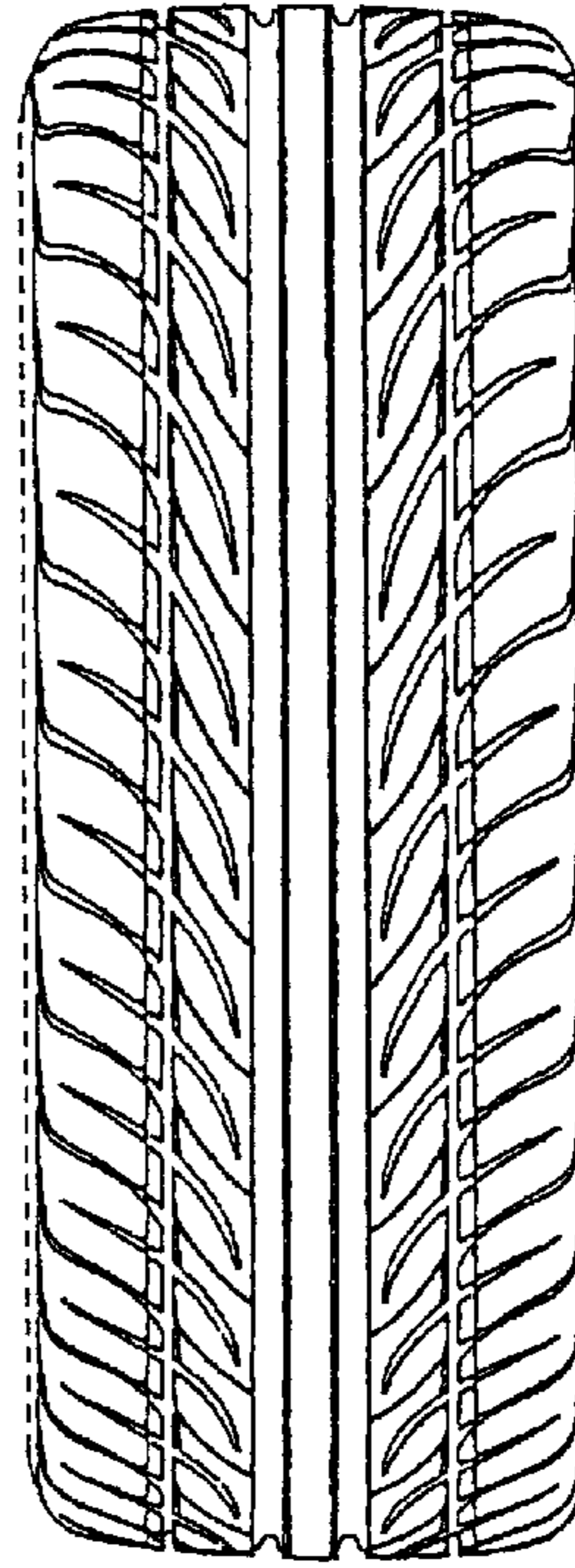


FIG. 3

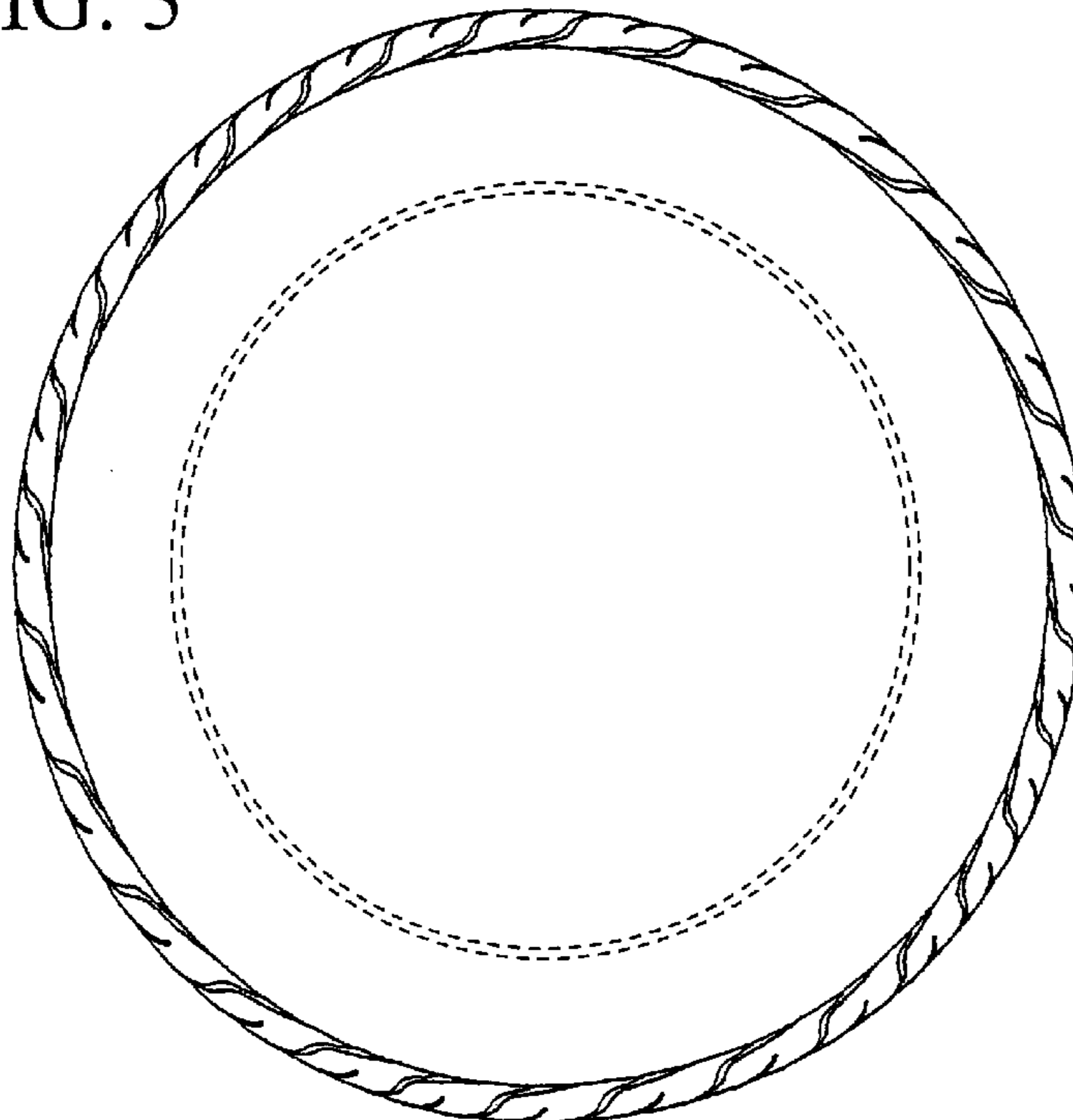


FIG. 4

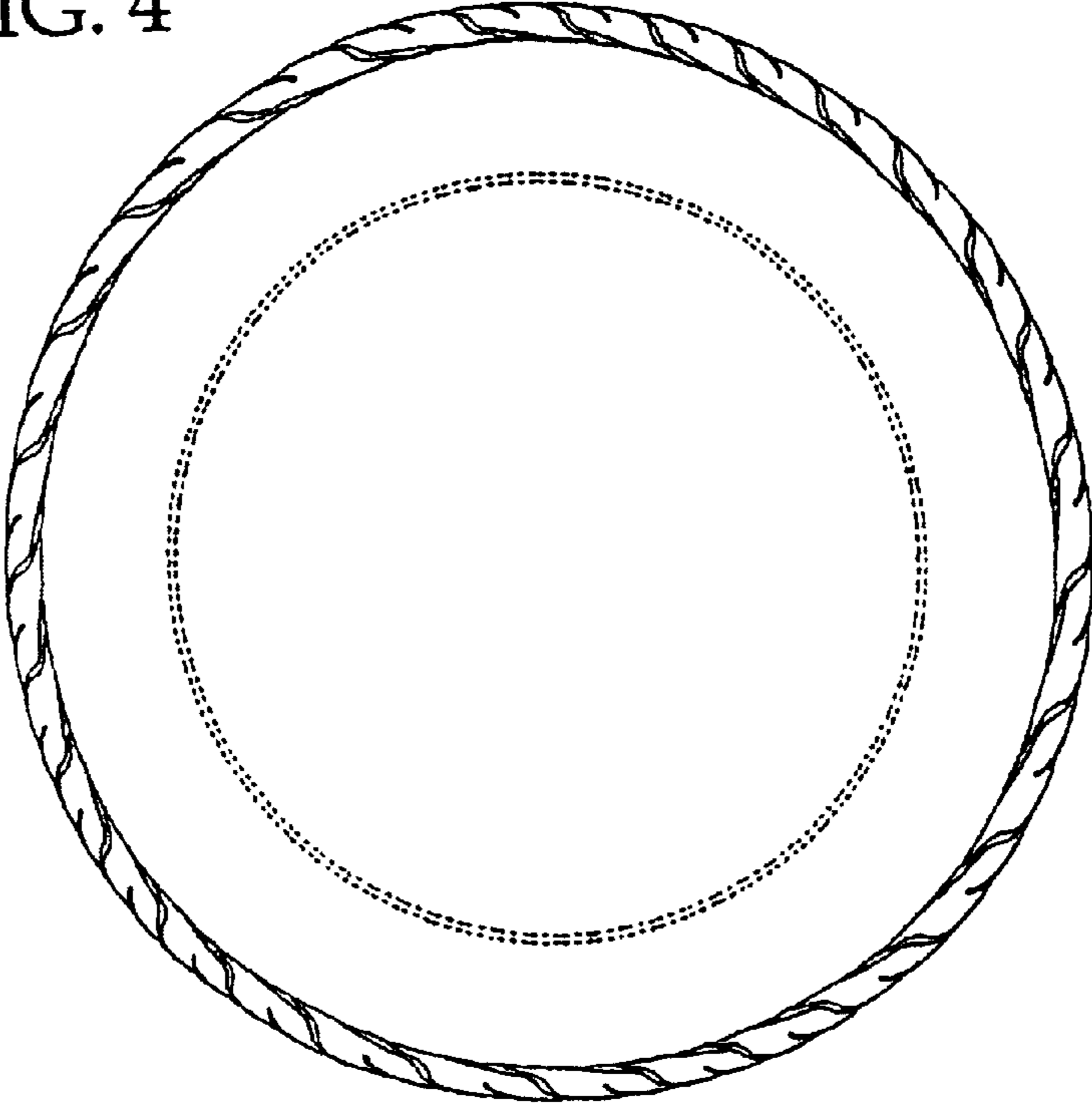


FIG. 5

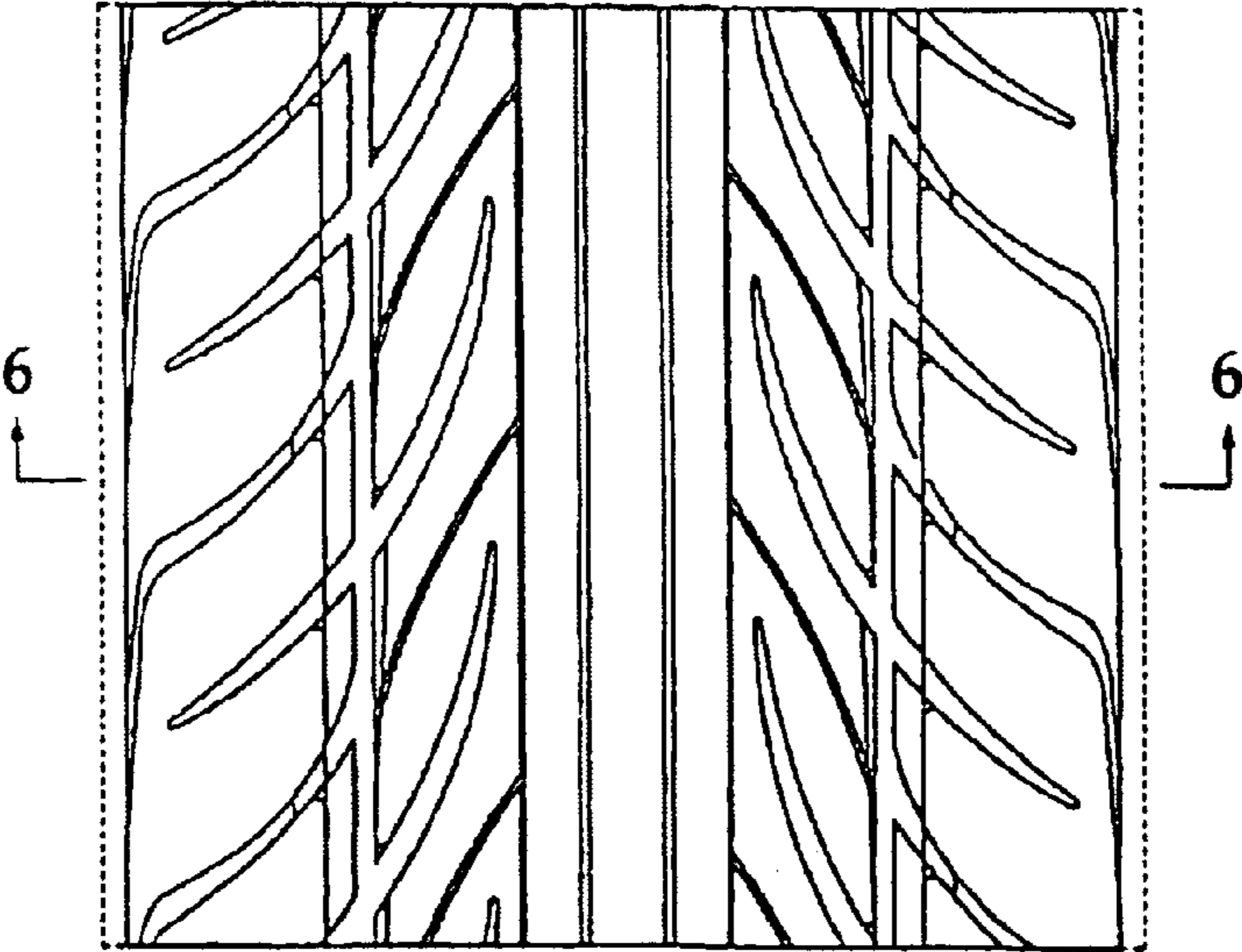


FIG. 6

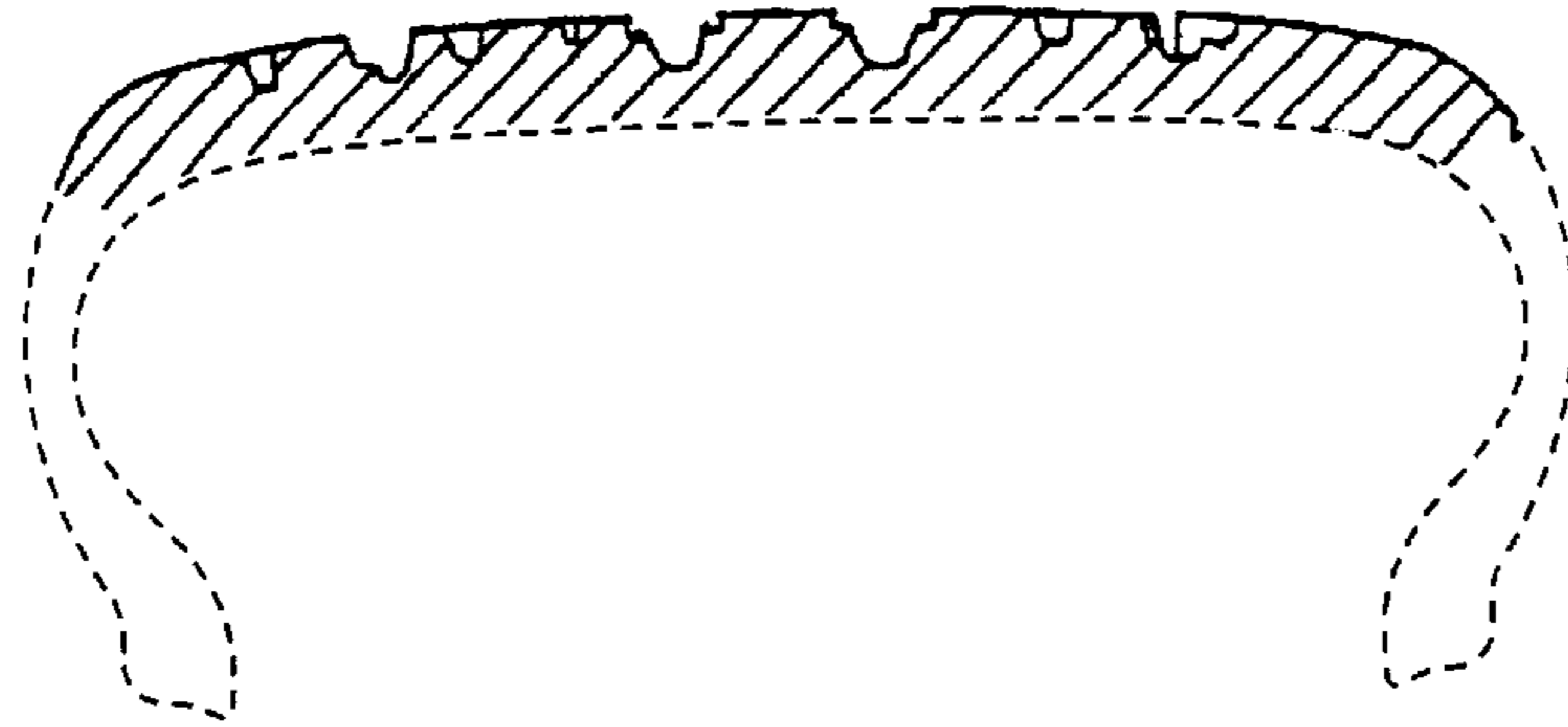


FIG. 7

