



US00D512007S

(12) **United States Design Patent**
Sze

(10) **Patent No.:** **US D512,007 S**

(45) **Date of Patent:** **** Nov. 29, 2005**

(54) **FRONT FACE OF A VEHICLE WHEEL**

(75) **Inventor:** **Harry Ho-Lim Sze**, Chino Hills, CA
(US)

(73) **Assignee:** **Bayerische Motoren Werke**
Aktiengesellschaft, Munich (DE)

(**) **Term:** **14 Years**

(21) **Appl. No.:** **29/223,992**

(22) **Filed:** **Feb. 23, 2005**

(51) **LOC (8) Cl.** **12-16**

(52) **U.S. Cl.** **D12/209**

(58) **Field of Search** D12/204-213;
301/37.101, 64.101, 65

(56) **References Cited**

U.S. PATENT DOCUMENTS

- D419,942 S * 2/2000 Lampkin D12/209
- D451,461 S * 12/2001 Arellano D12/209
- D460,396 S * 7/2002 Kember et al. D12/209

- D491,124 S * 6/2004 Rice D12/209
- D491,873 S * 6/2004 Markefka D12/211
- D492,235 S * 6/2004 Nordmann D12/211
- D504,097 S * 4/2005 Markefka D12/209
- D504,381 S * 4/2005 Rice D12/211
- D504,648 S * 5/2005 Pfeiffer D12/209

* cited by examiner

Primary Examiner—Stacia Cadmus

(74) *Attorney, Agent, or Firm*—Crowell & Moring LLP

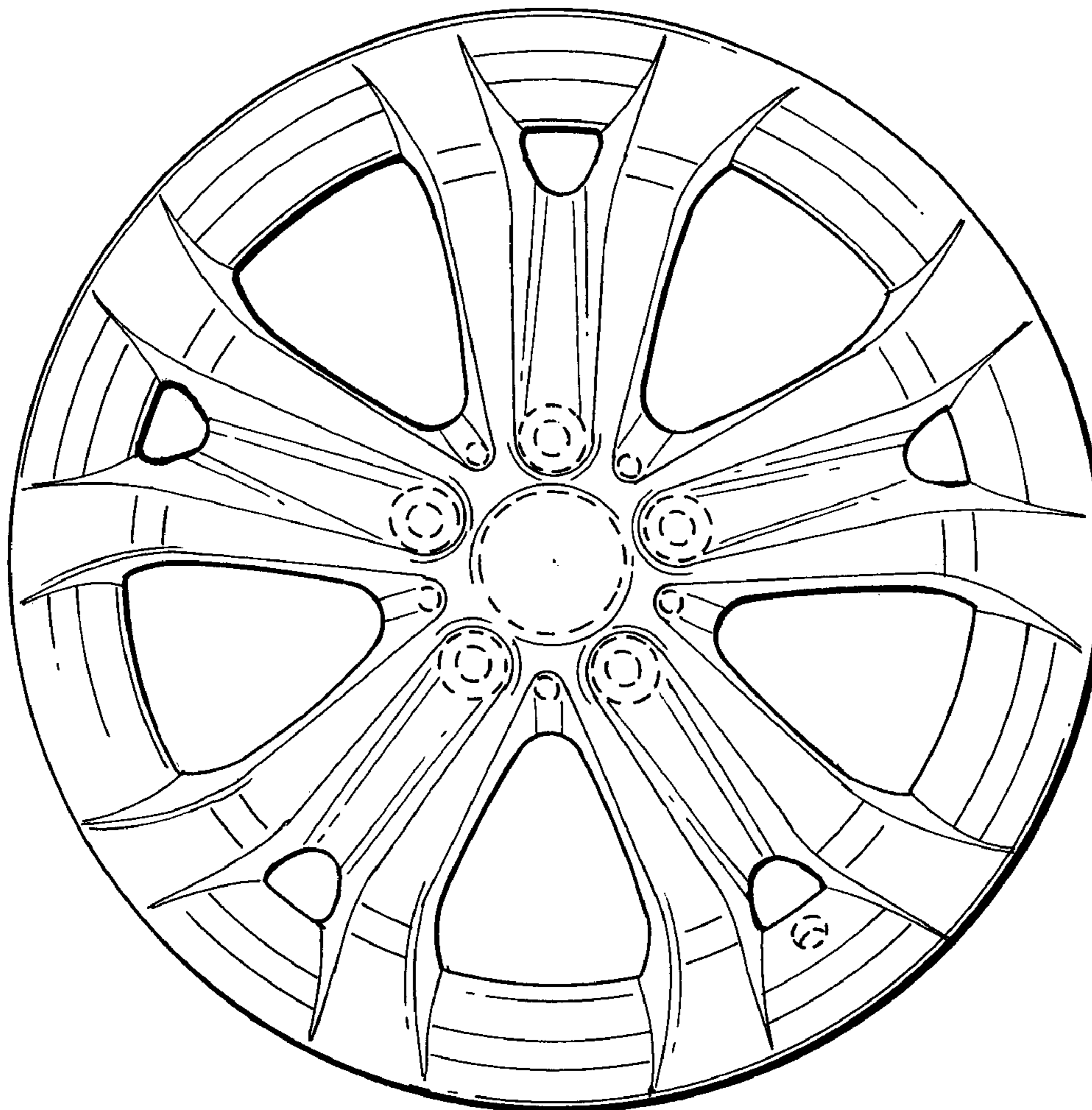
(57) **CLAIM**

The ornamental design for a front face of a vehicle wheel, as shown and described.

DESCRIPTION

FIG. 1 is a front view of a front face of a vehicle wheel according to my novel design; and, FIG. 2 is a perspective view of the front face of a vehicle wheel according to my novel design. The broken lines are for illustrative purposes only and form no part of the claimed design.

1 Claim, 1 Drawing Sheet



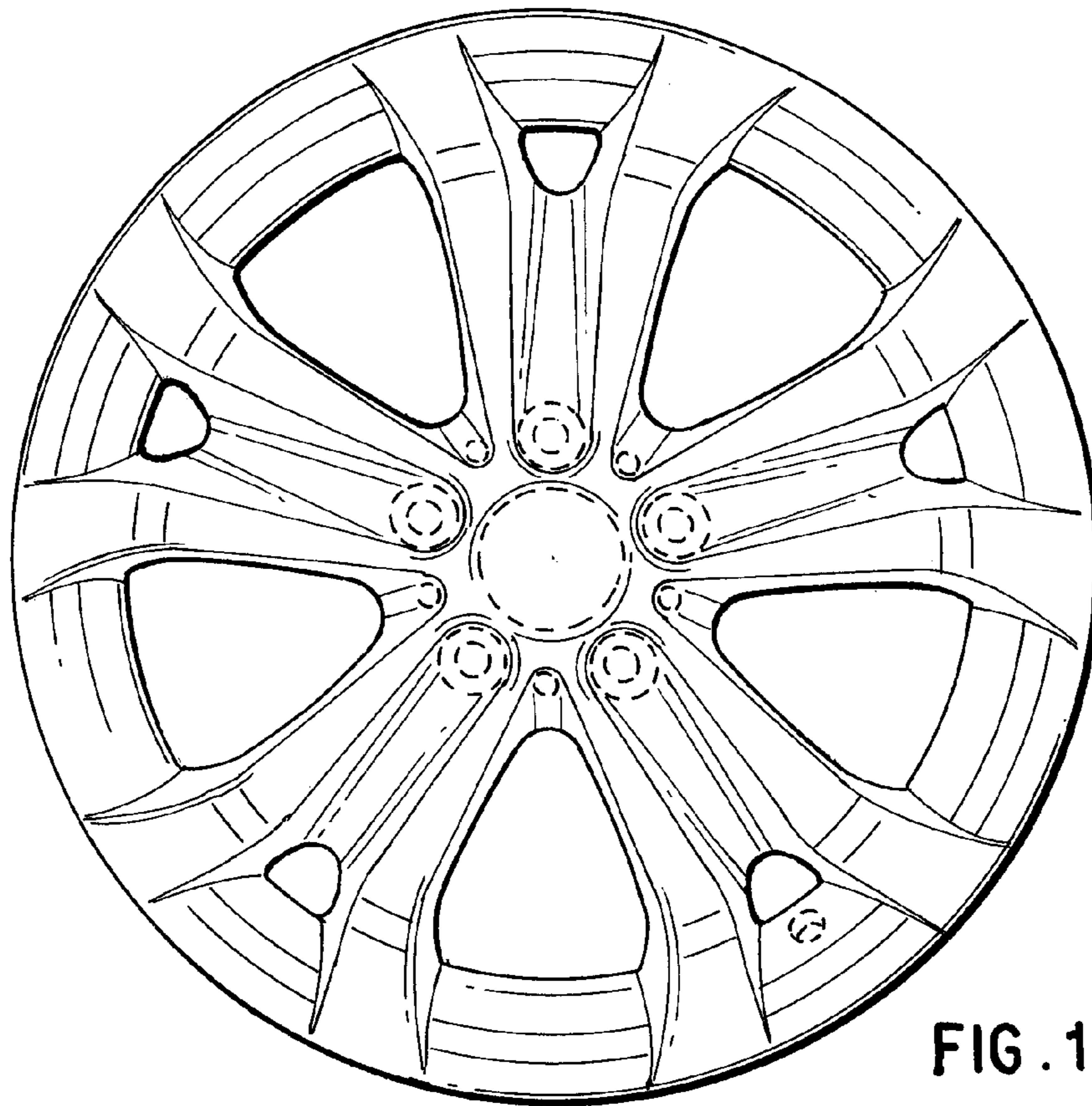


FIG. 1

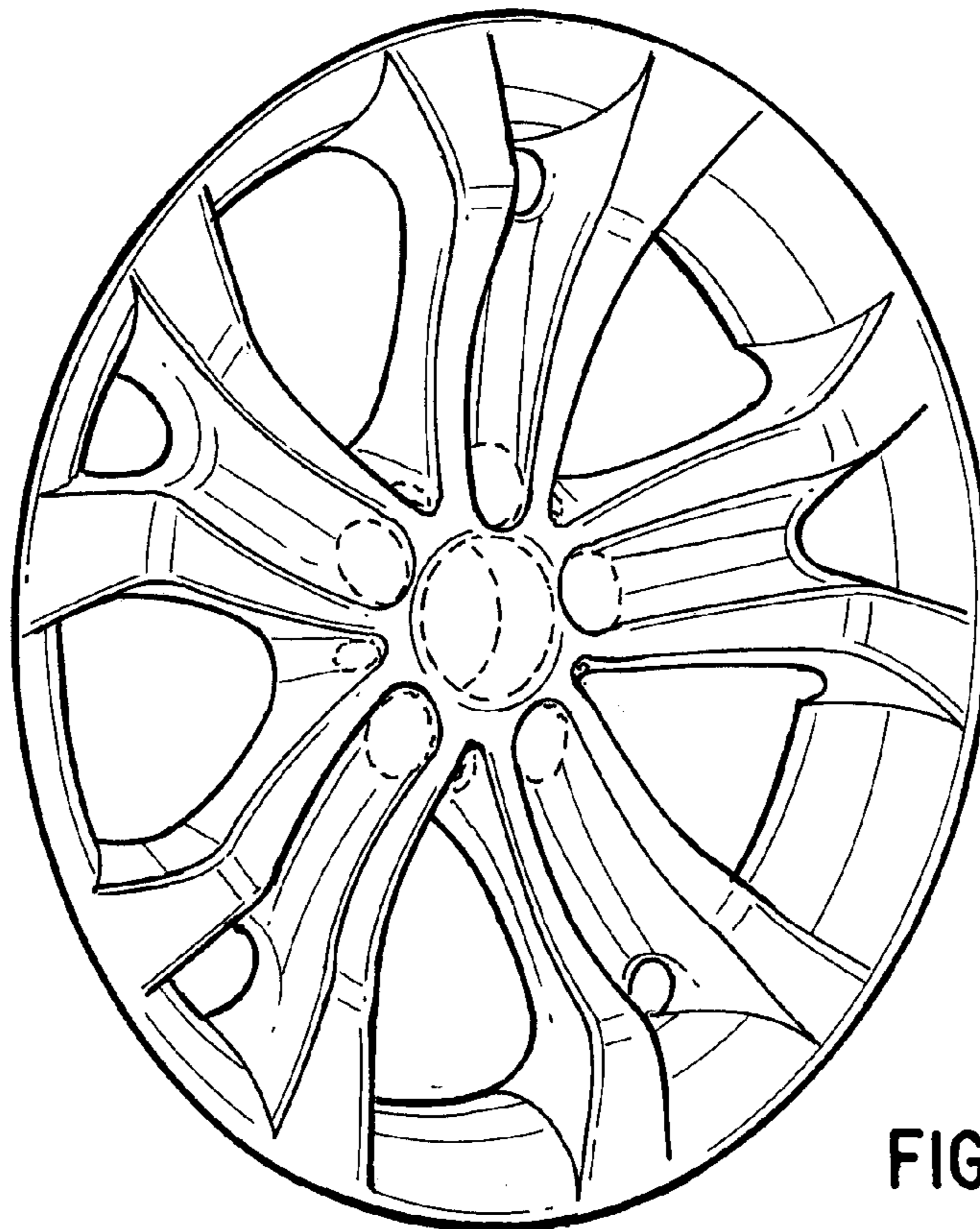


FIG. 2