



US00D512006S

(12) **United States Design Patent**
Sims

(10) **Patent No.:** **US D512,006 S**

(45) **Date of Patent:** **** Nov. 29, 2005**

(54) **INSTRUMENT PANEL**

(75) **Inventor:** **Daniel J. Sims**, Lake Forest, CA (US)

(73) **Assignee:** **Mitsubishi Jidosha Kogyo Kabushiki Kaisha**, Tokyo (JP)

(**) **Term:** **14 Years**

(21) **Appl. No.:** **29/220,727**

(22) **Filed:** **Jan. 6, 2005**

(51) **LOC (8) Cl.** **12-16**

(52) **U.S. Cl.** **D12/192**

(58) **Field of Search** D12/192; 180/90;
280/750-752; 296/190-191, 70; D10/46,
102, 98, 122-127; D15/17, 28

(56) **References Cited**

U.S. PATENT DOCUMENTS

D372,010 S	*	7/1996	Pfeiffer et al.	D12/192
D423,434 S	*	4/2000	Yano et al.	D12/192
D440,193 S	*	4/2001	Pfeiffer	D12/192
D449,263 S	*	10/2001	Yamazaki et al.	D12/192
D469,391 S	*	1/2003	Pfeiffer et al.	D12/192
D470,091 S	*	2/2003	Kraus et al.	D12/192
D470,809 S	*	2/2003	Asahi et al.	D12/192
D489,660 S	*	5/2004	Okumura et al.	D12/192

D492,631 S	*	7/2004	Pfeiffer et al.	D12/192
D493,757 S	*	8/2004	Pfeiffer	D12/192
D499,998 S	*	12/2004	Tanaka et al.	D12/192
D504,369 S	*	4/2005	Pfeiffer	D12/192

* cited by examiner

Primary Examiner—Stacia Cadmus

(74) *Attorney, Agent, or Firm*—Birch, Stewart, Kolasch & Birch, LLP

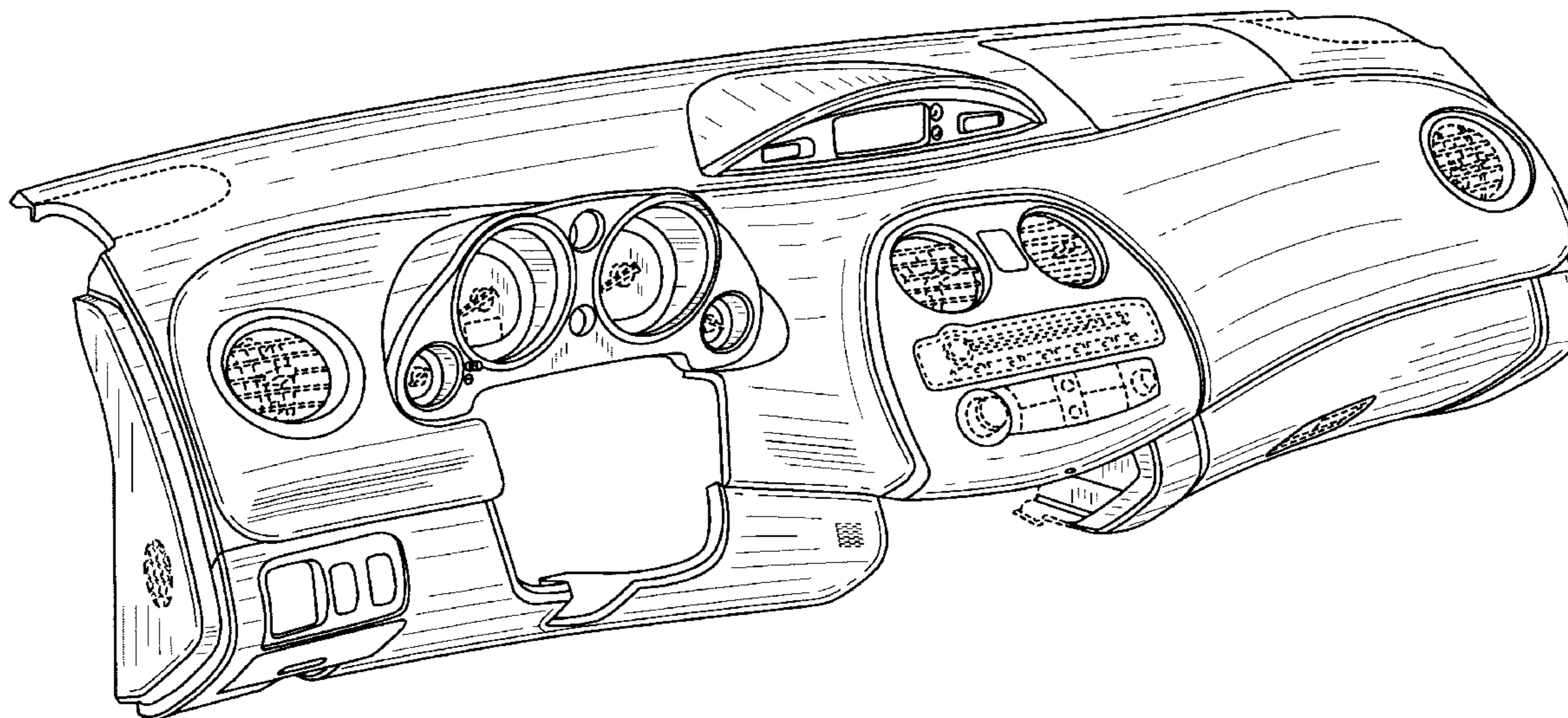
(57) **CLAIM**

The ornamental design for an instrument panel, as shown and described.

DESCRIPTION

FIG. 1 is a front view of an instrument panel constructed according to my novel design;
FIG. 2 is a top plan view thereof;
FIG. 3 is a left side view thereof;
FIG. 4 is a right side view thereof;
FIG. 5 is a bottom view thereof;
FIG. 6 is a front right perspective view thereof; and,
FIG. 7 is a front left perspective view thereof.
The broken lines showing of environmental structure in FIGS. 1-7 are for illustrative purposes only and form no part of the claimed design.

1 Claim, 6 Drawing Sheets



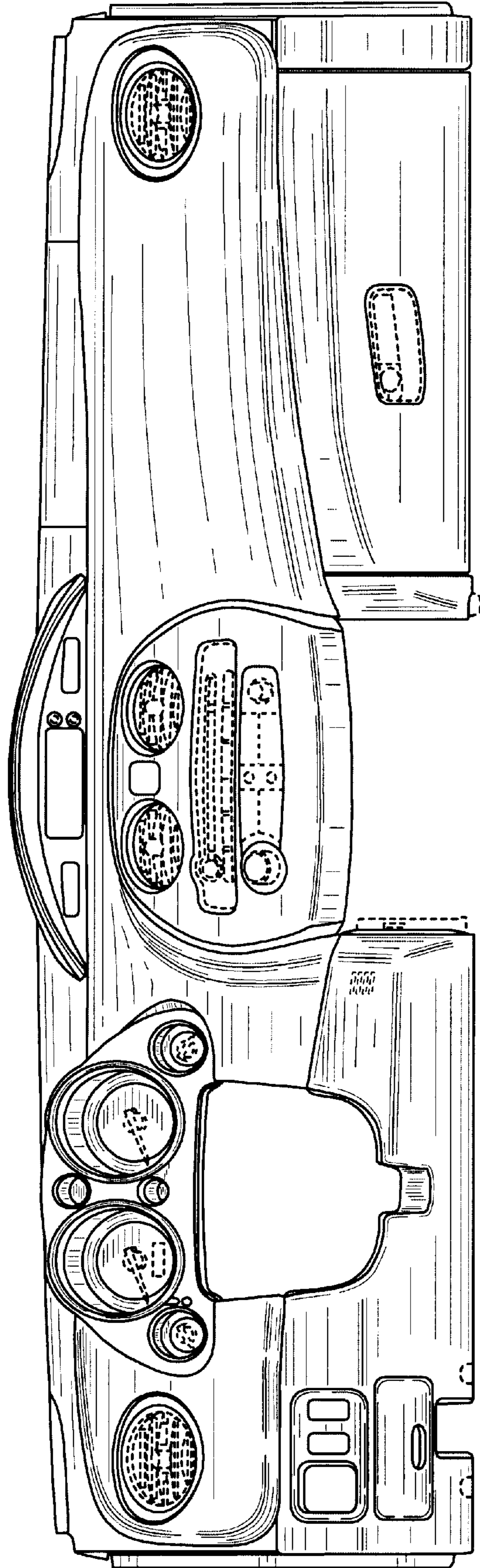


FIG. 1

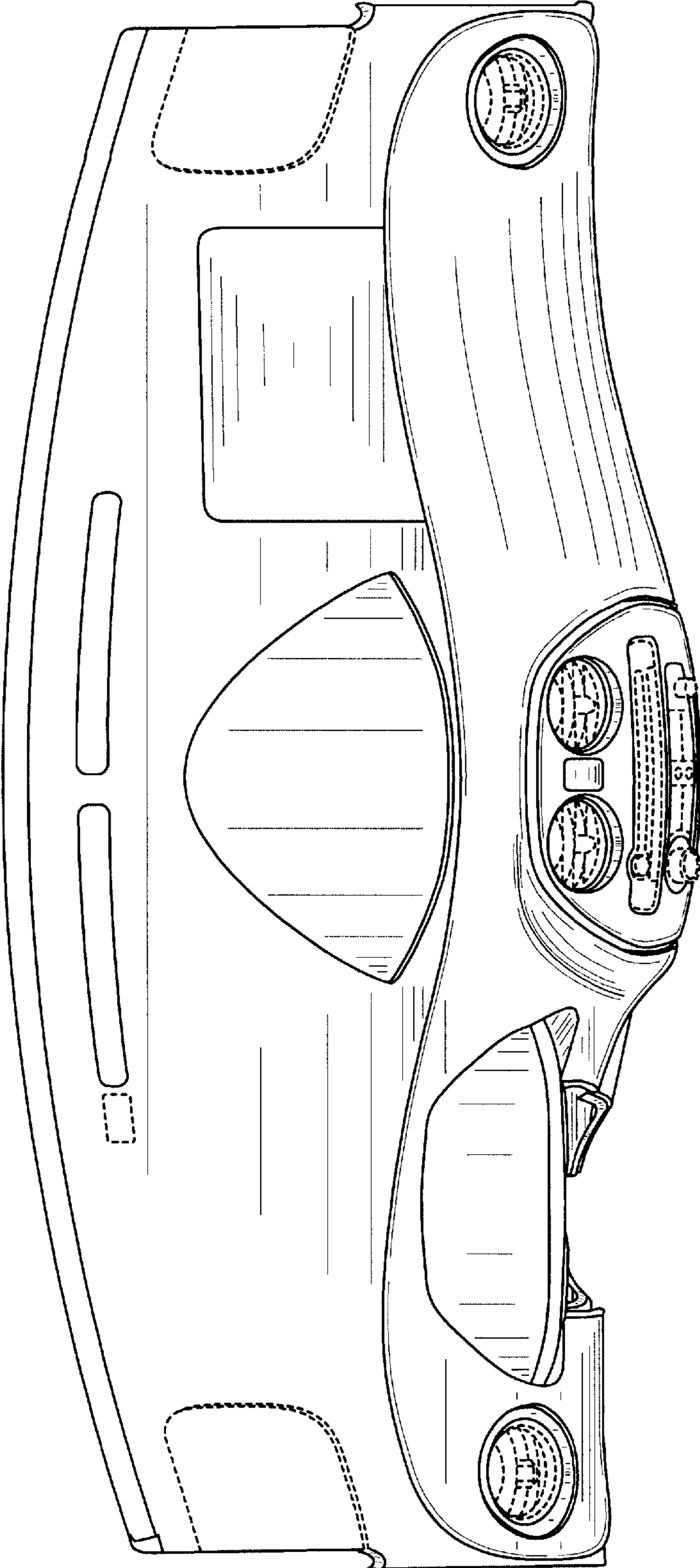


FIG. 2

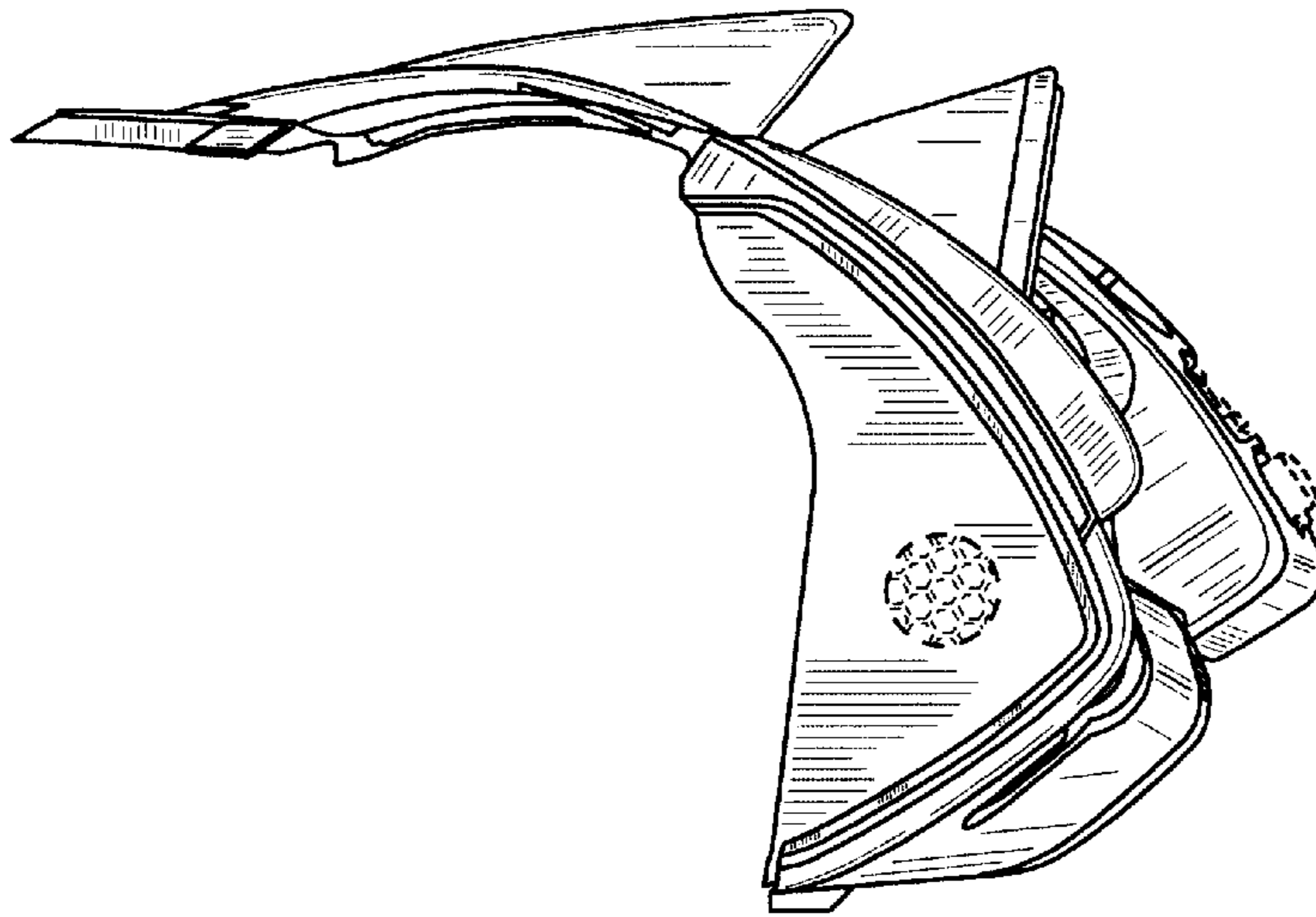


FIG. 3

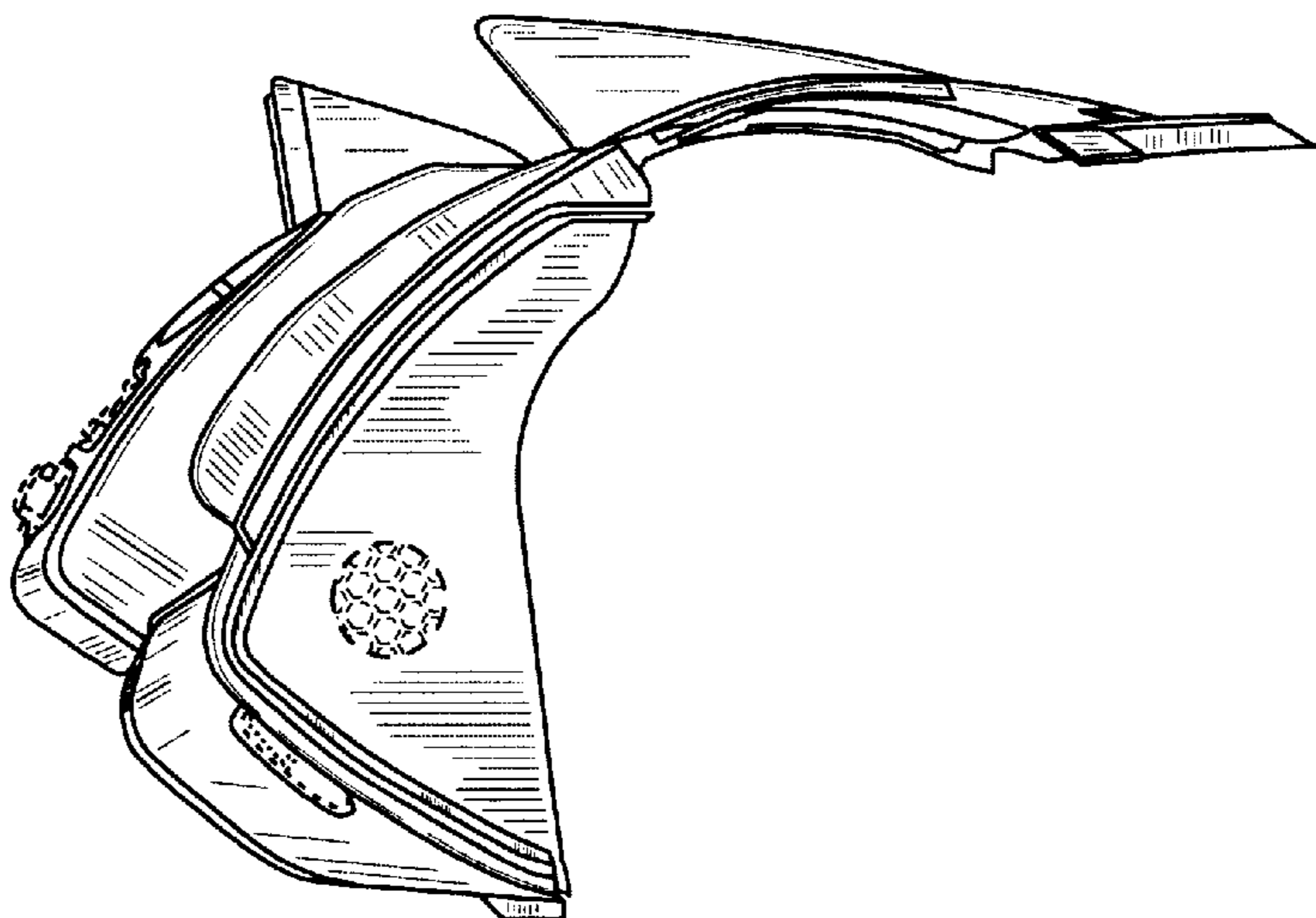


FIG. 4

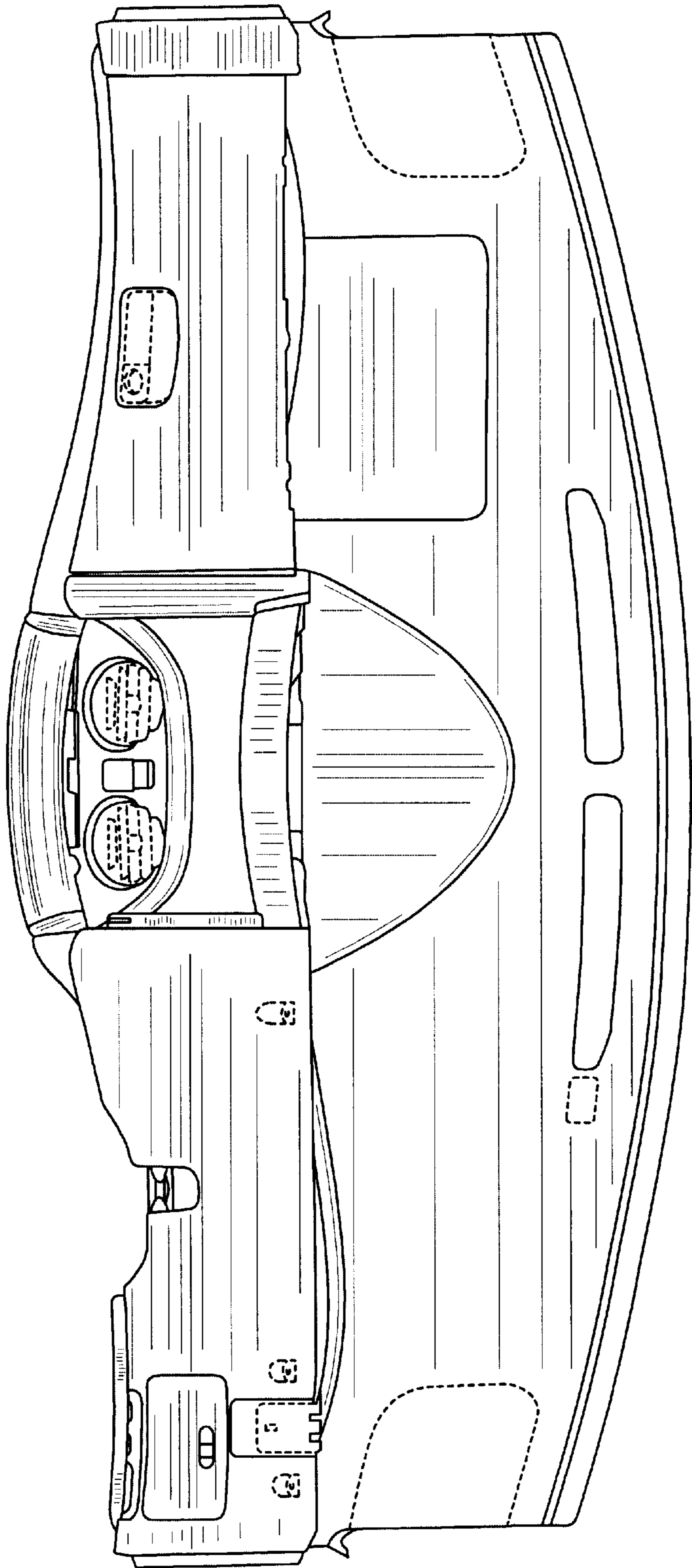


FIG. 5

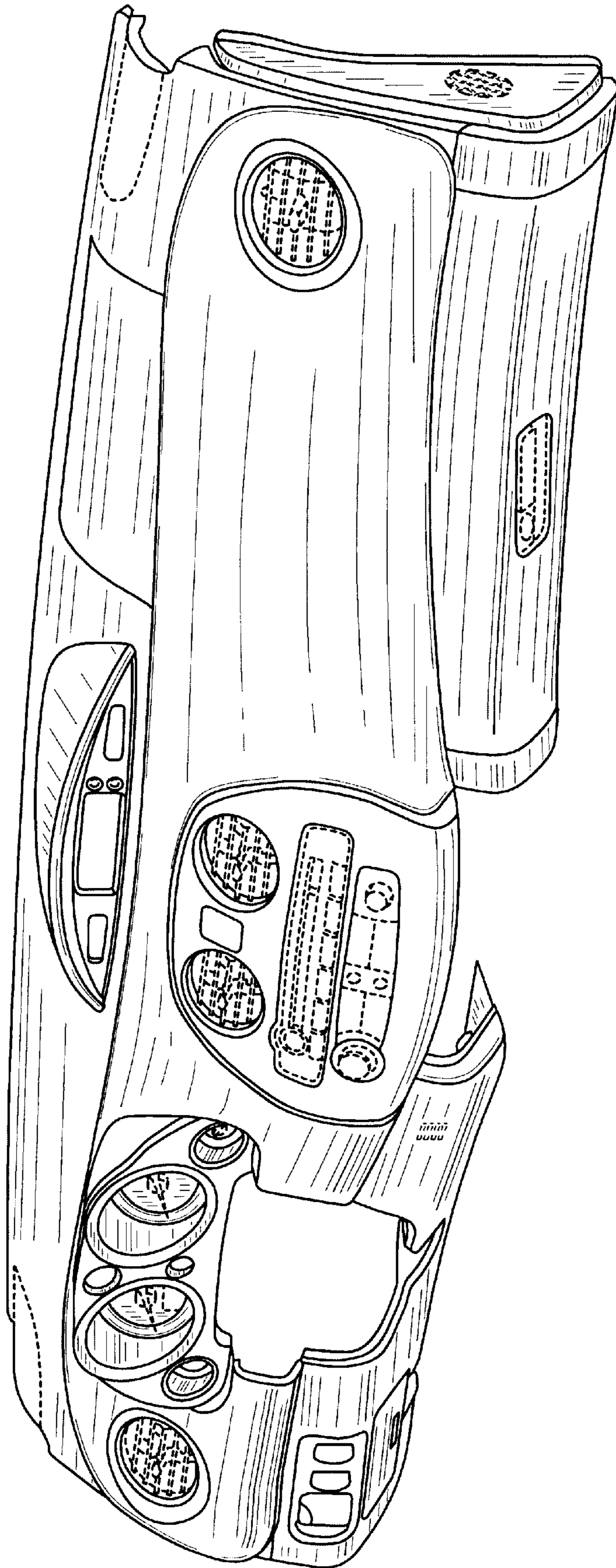


FIG. 6

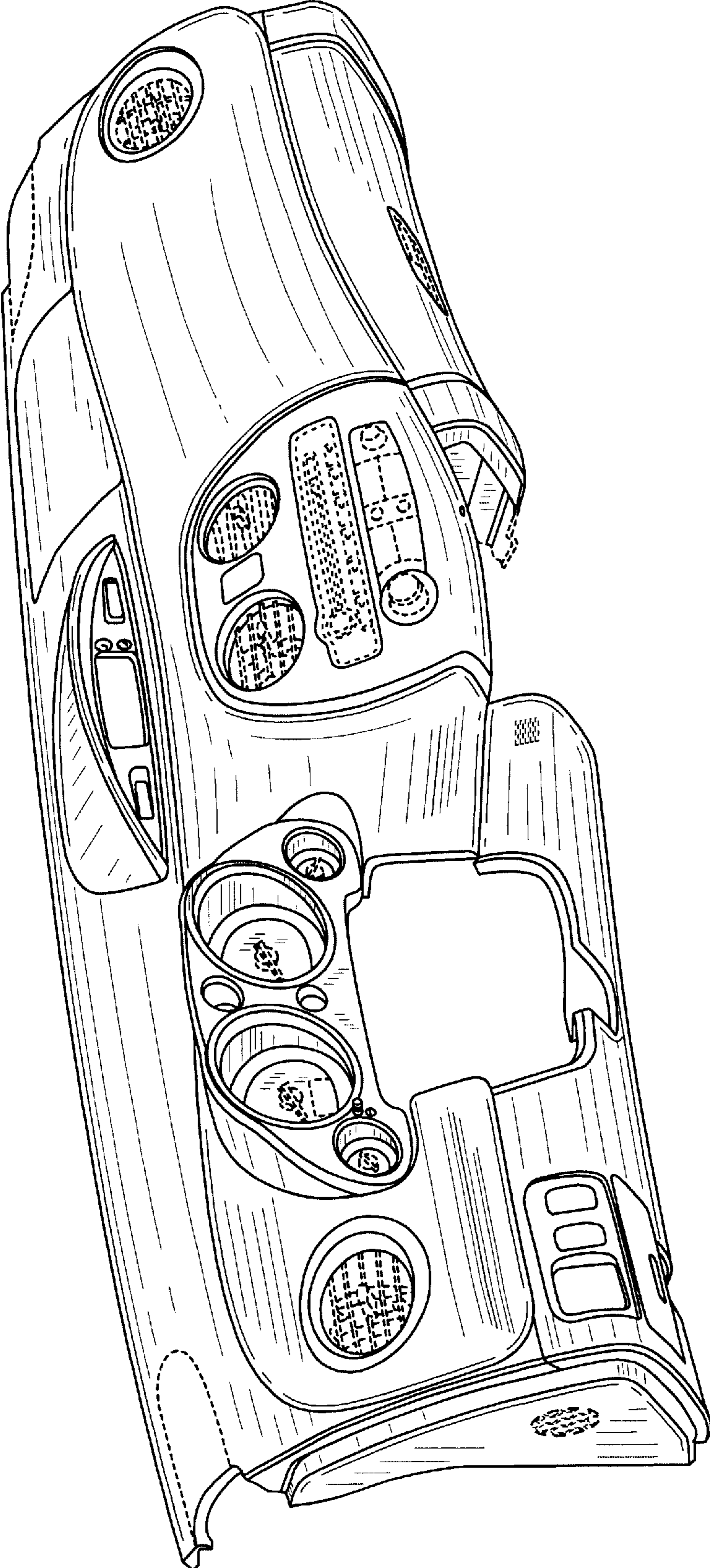


FIG. 7