



US00D512001S

(12) **United States Design Patent**
Kato et al.

(10) **Patent No.:** **US D512,001 S**
(45) **Date of Patent:** **** Nov. 29, 2005**

(54) **AUTOMOBILE**

(75) Inventors: **Takaaki Kato**, Saitama (JP); **Akira Omae**, Saitama (JP); **Daisuke Nagao**, Gardena, CA (US)

(73) Assignee: **Honda Motor Co., Ltd.**, Tokyo (JP)

(**) Term: **14 Years**

(21) Appl. No.: **29/205,571**

(22) Filed: **May 18, 2004**

(51) **LOC (8) Cl.** **12-11**

(52) **U.S. Cl.** **D12/107**

(58) **Field of Search** D12/87, 107; 180/225, 180/229, 233, 311, 312, 315

(56) **References Cited**

U.S. PATENT DOCUMENTS

D349,078 S * 7/1994 Kimura et al. D12/107

FOREIGN PATENT DOCUMENTS

JP 1139369 3/2002

OTHER PUBLICATIONS

Notification of Refusal Reasons dated Aug. 15, 2003., w/translation.

* cited by examiner

Primary Examiner—Alan P. Douglas
Assistant Examiner—Linda Brooks

(74) *Attorney, Agent, or Firm*—Westerman, Hattori, Daniels & Adrian, LLP

(57) **CLAIM**

The ornamental design for an automobile, as shown and described.

DESCRIPTION

FIG. 1 is a front elevation view of an automobile, showing our new design;

FIG. 2 is a rear elevation view thereof;

FIG. 3 is a top plan view thereof;

FIG. 4 is a right side elevation view thereof;

FIG. 5 is a left side elevation view thereof;

FIG. 6 is a perspective view 1 thereof;

FIG. 7 is a perspective view 2 thereof;

FIG. 8 is a perspective view 3 thereof; and,

FIG. 9 is a perspective view 4 thereof.

1 Claim, 9 Drawing Sheets

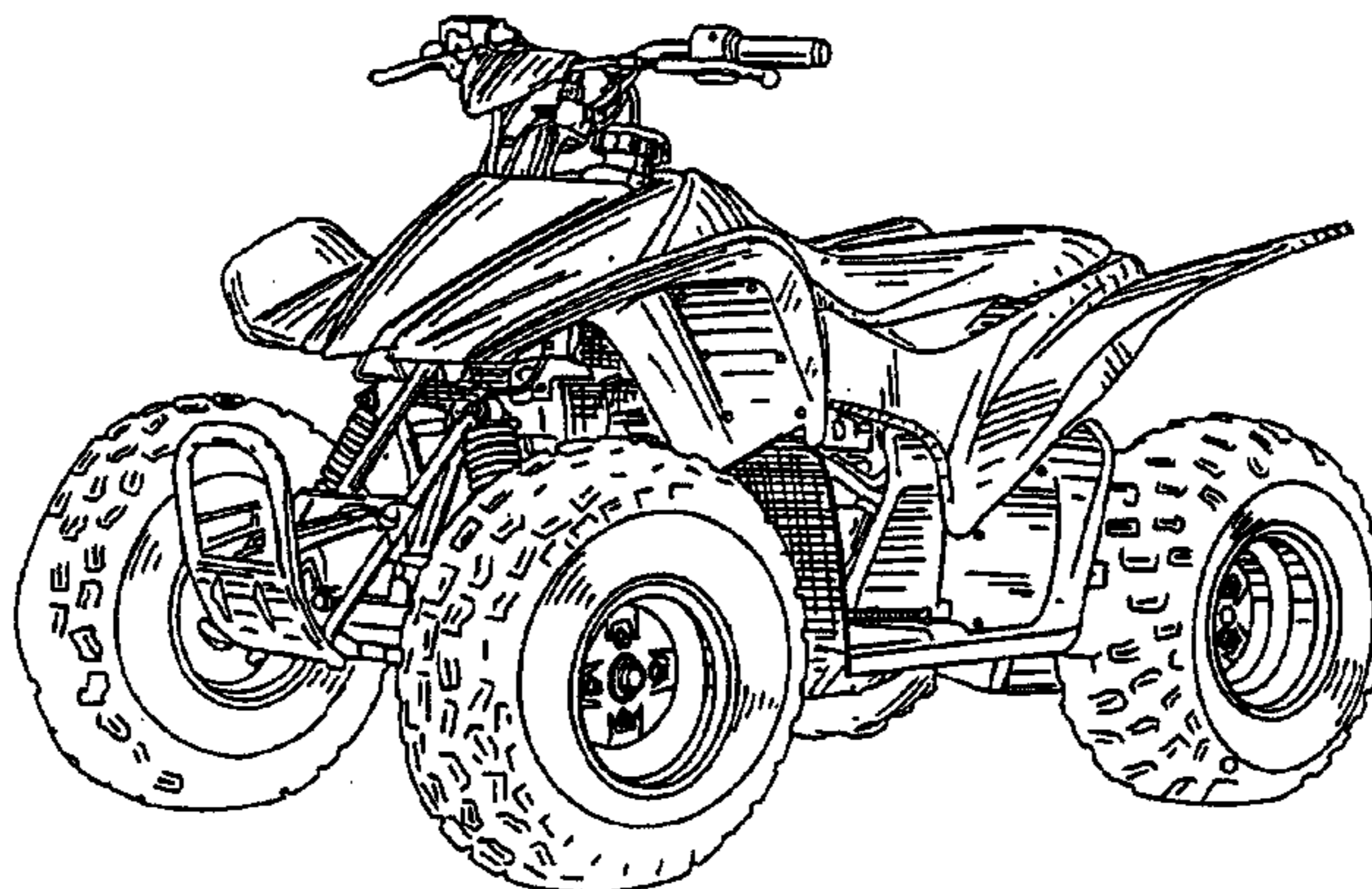
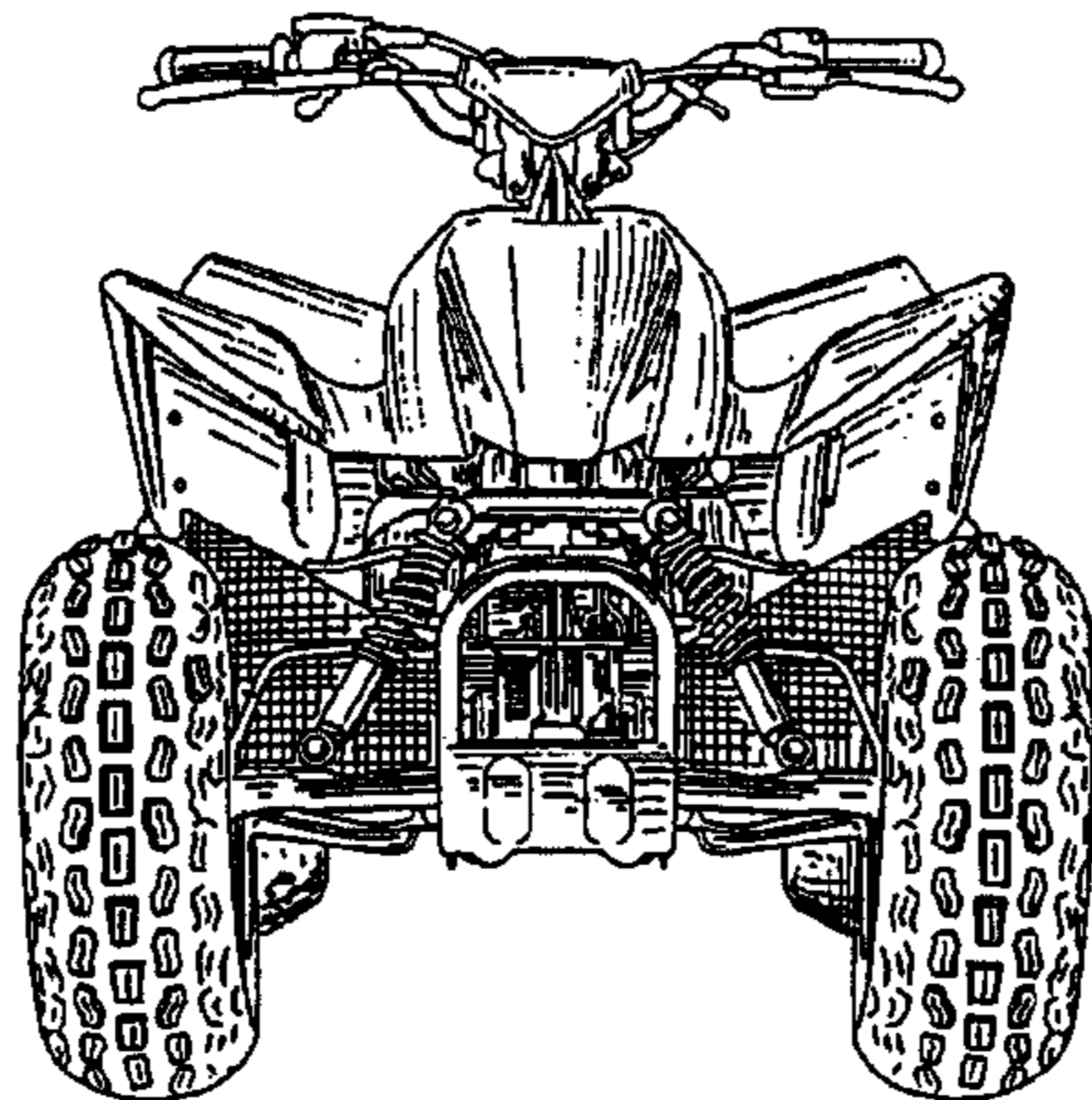


FIG. 1

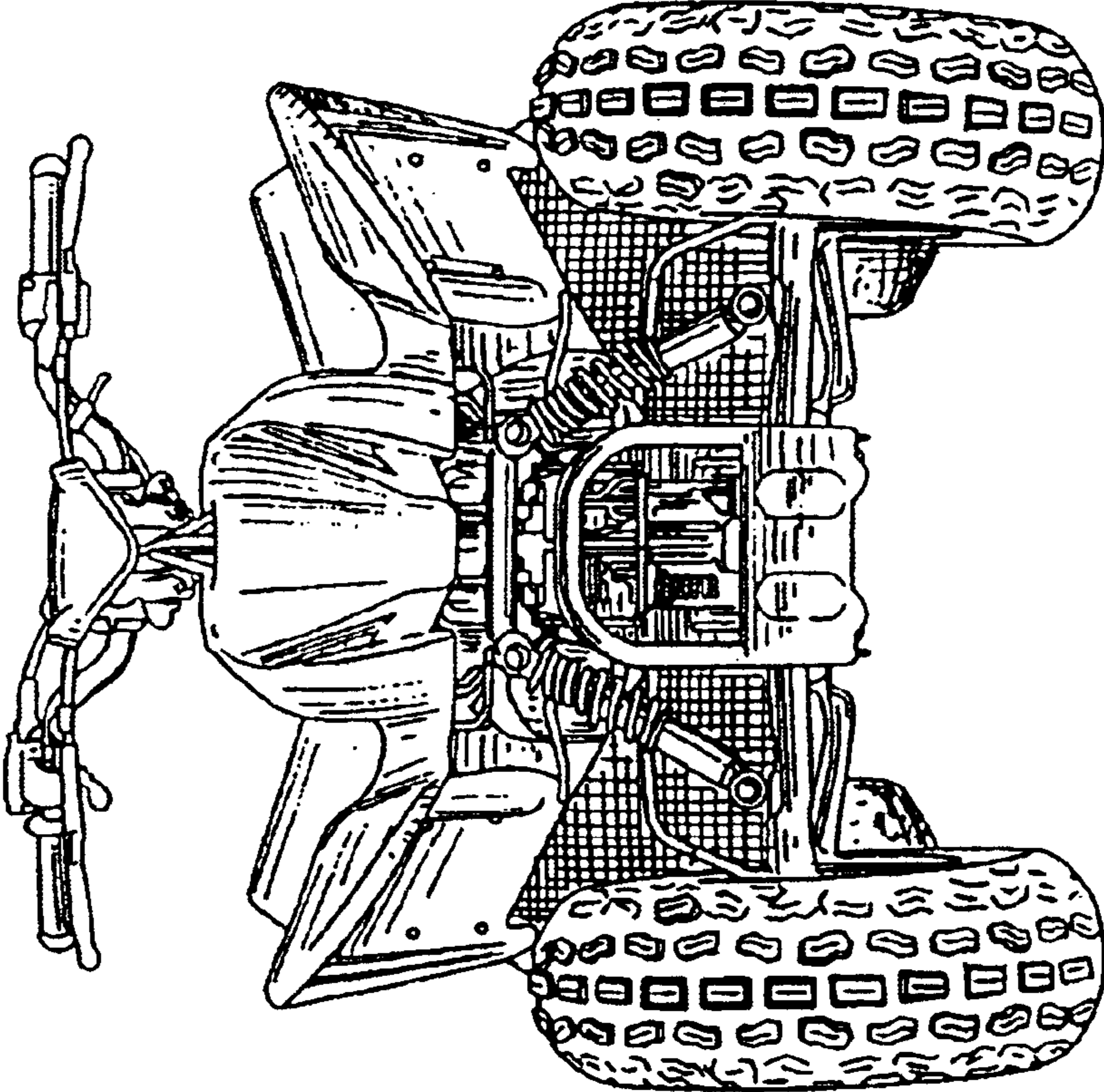


FIG. 2

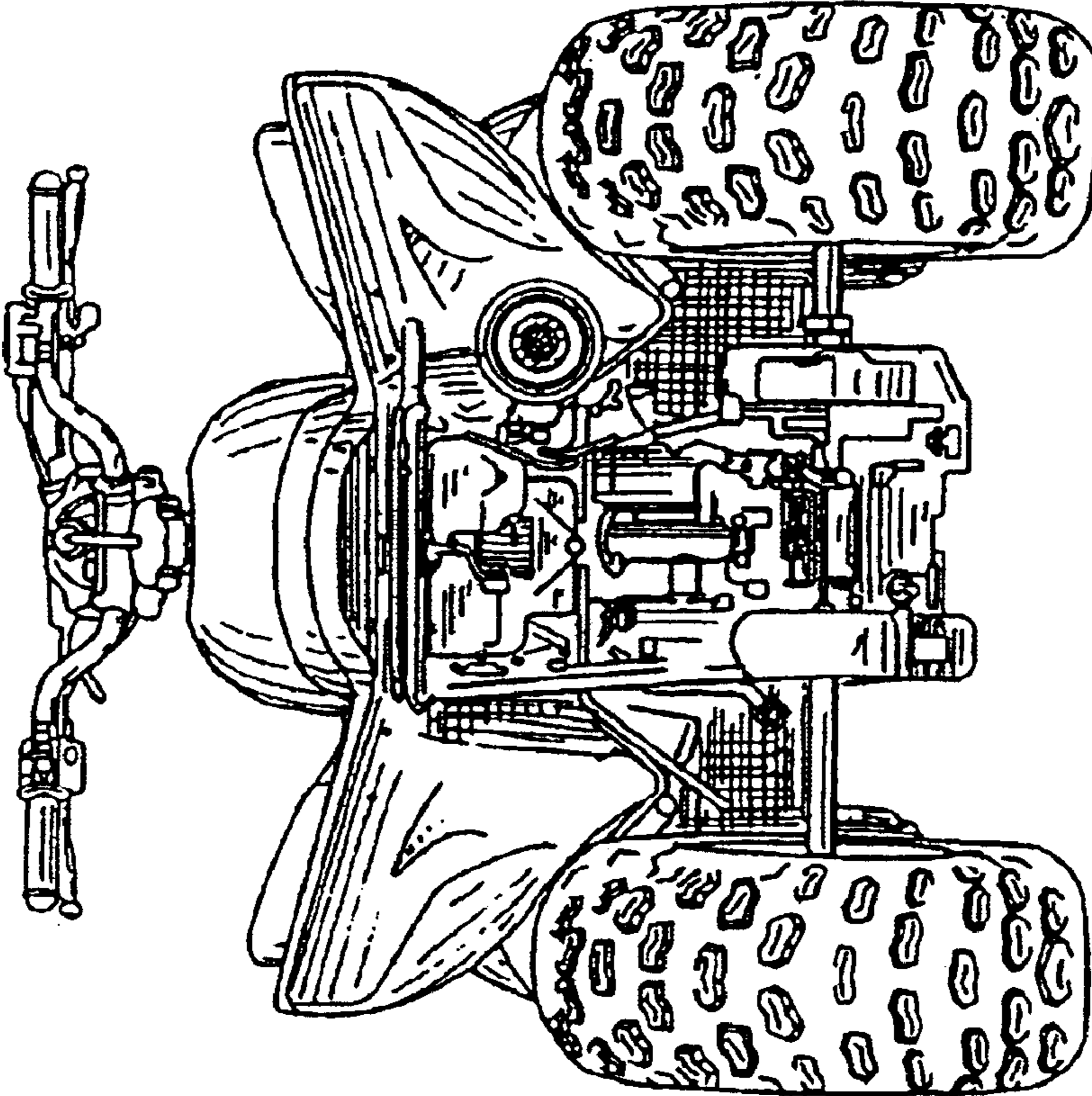


FIG. 3

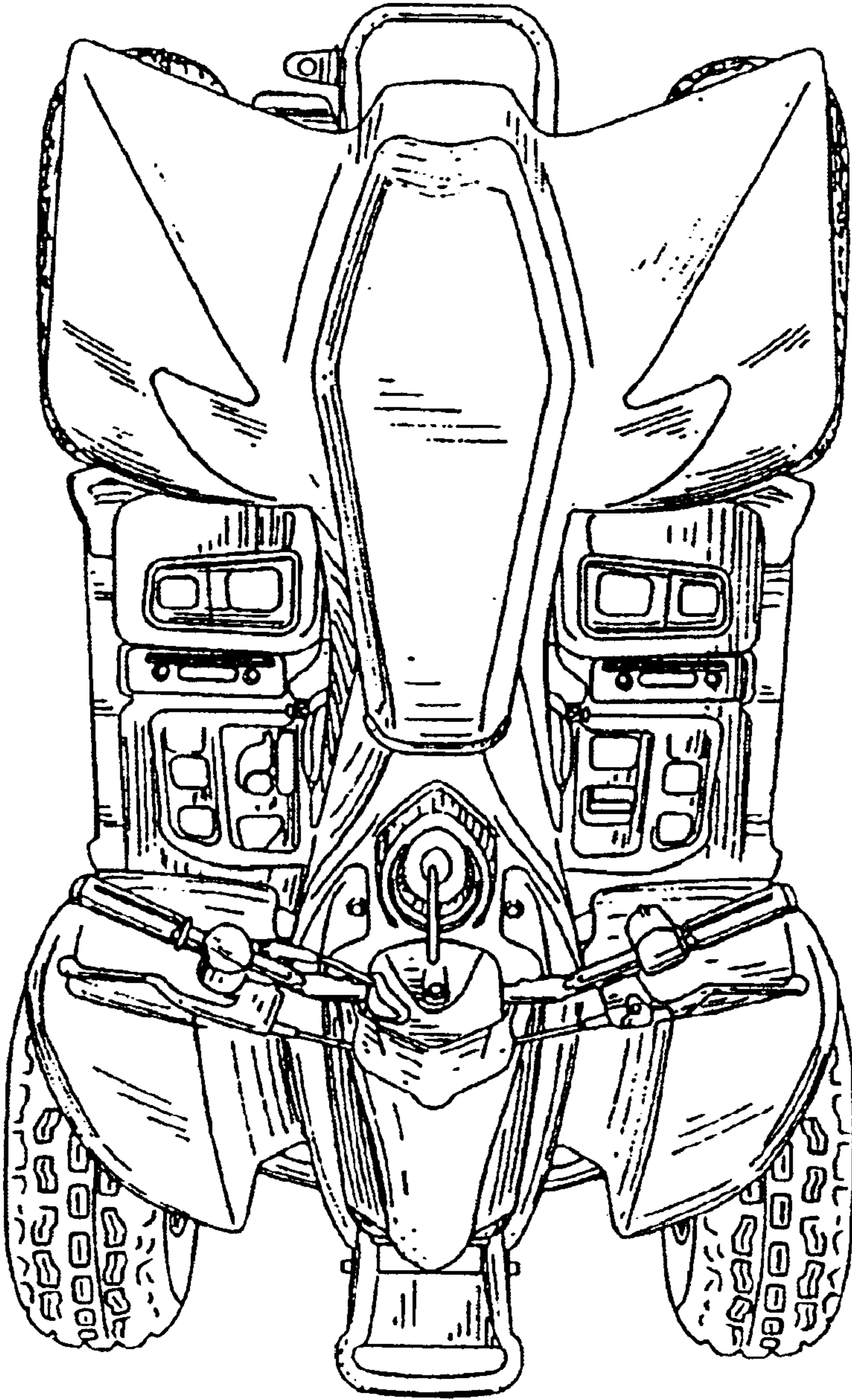


FIG. 4

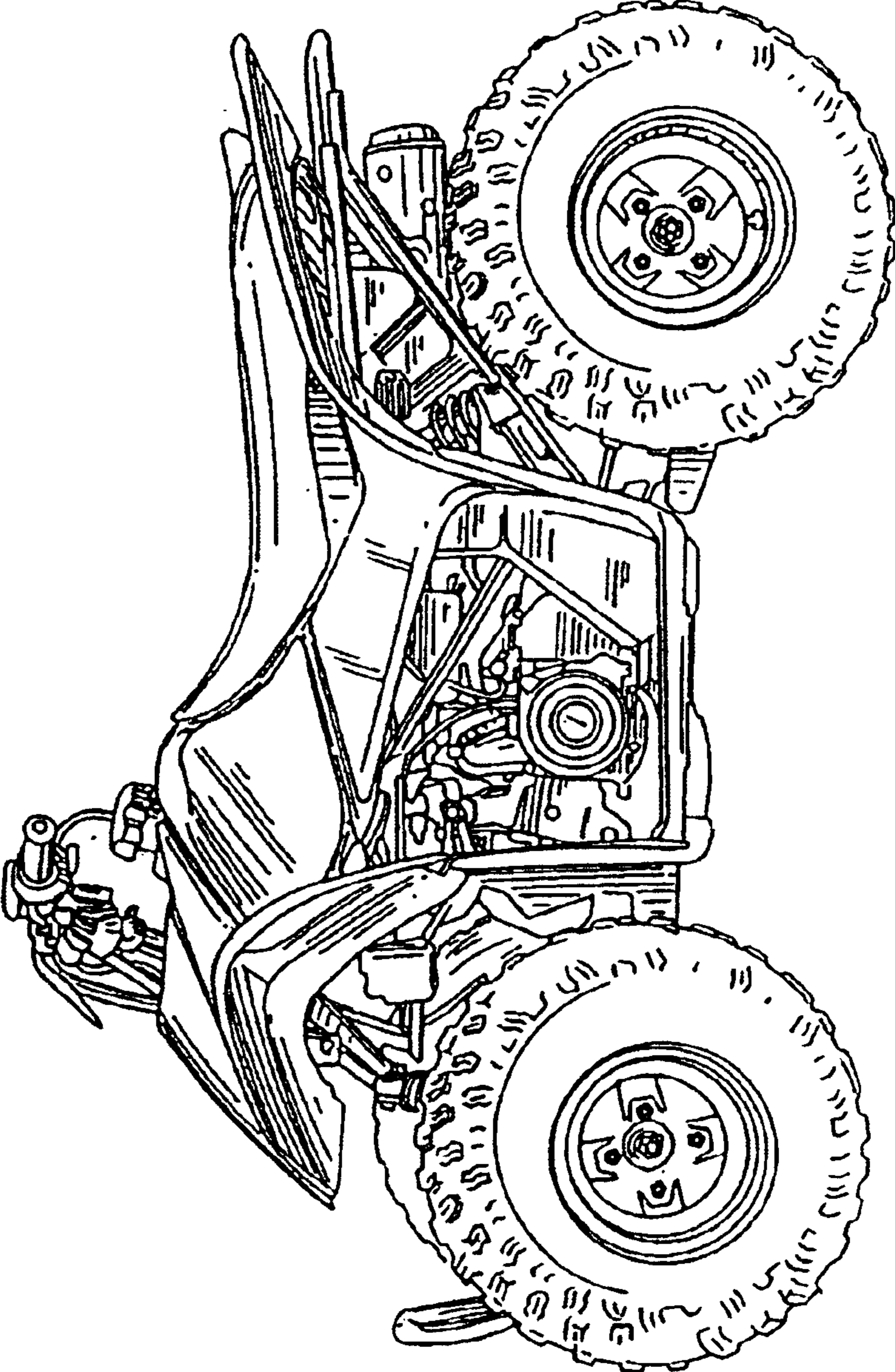


FIG. 5

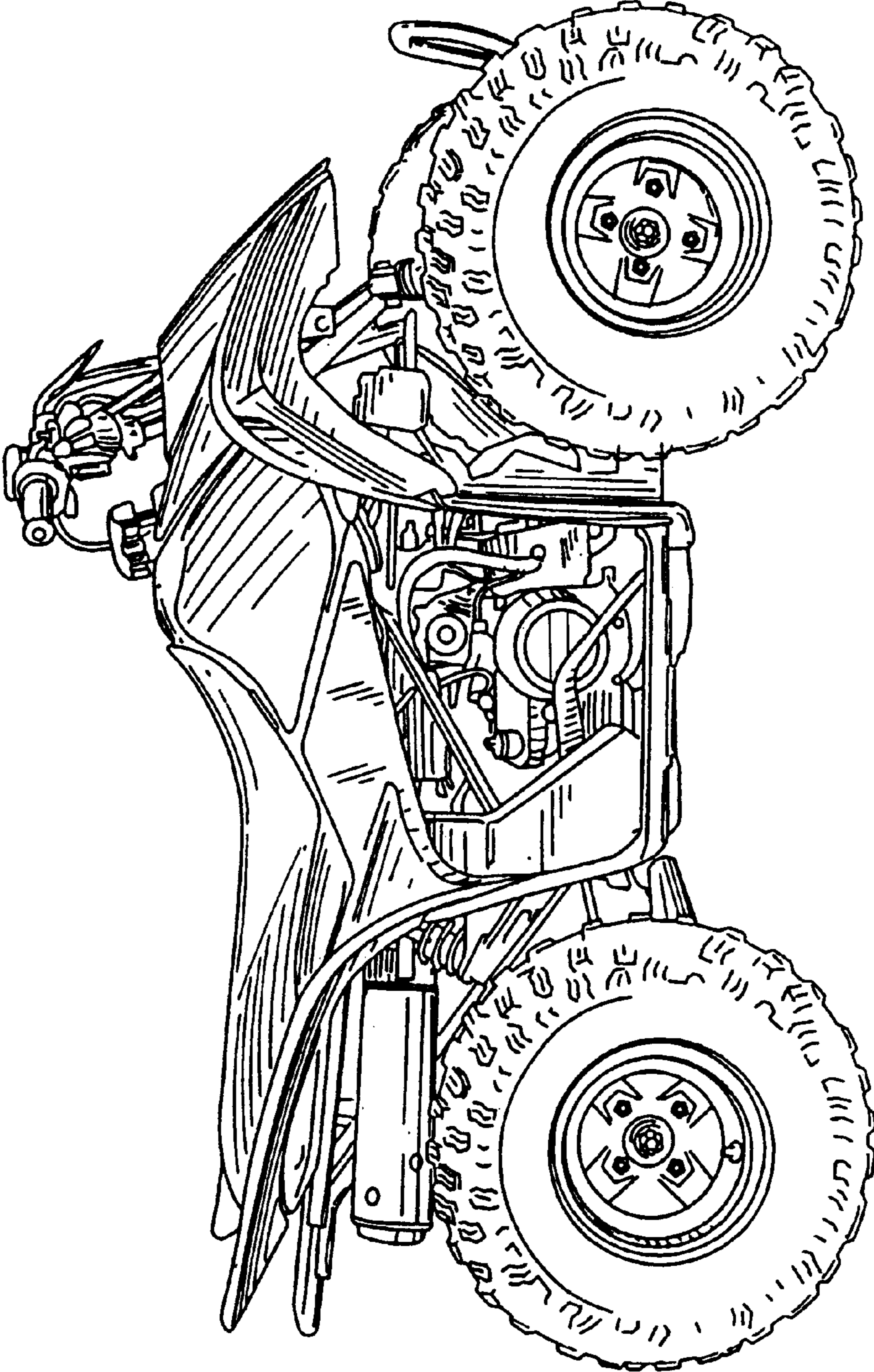


FIG. 6

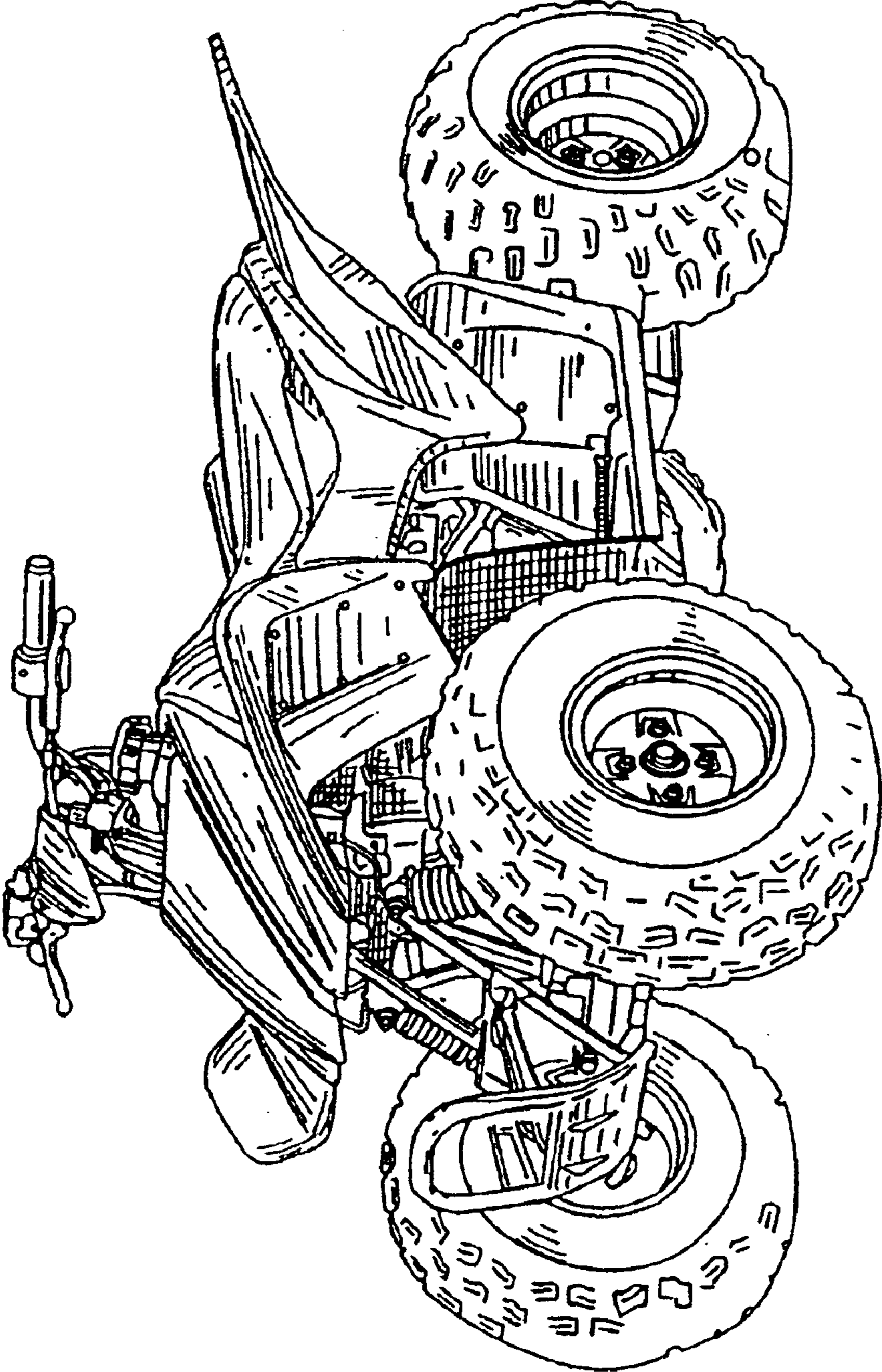


FIG. 7

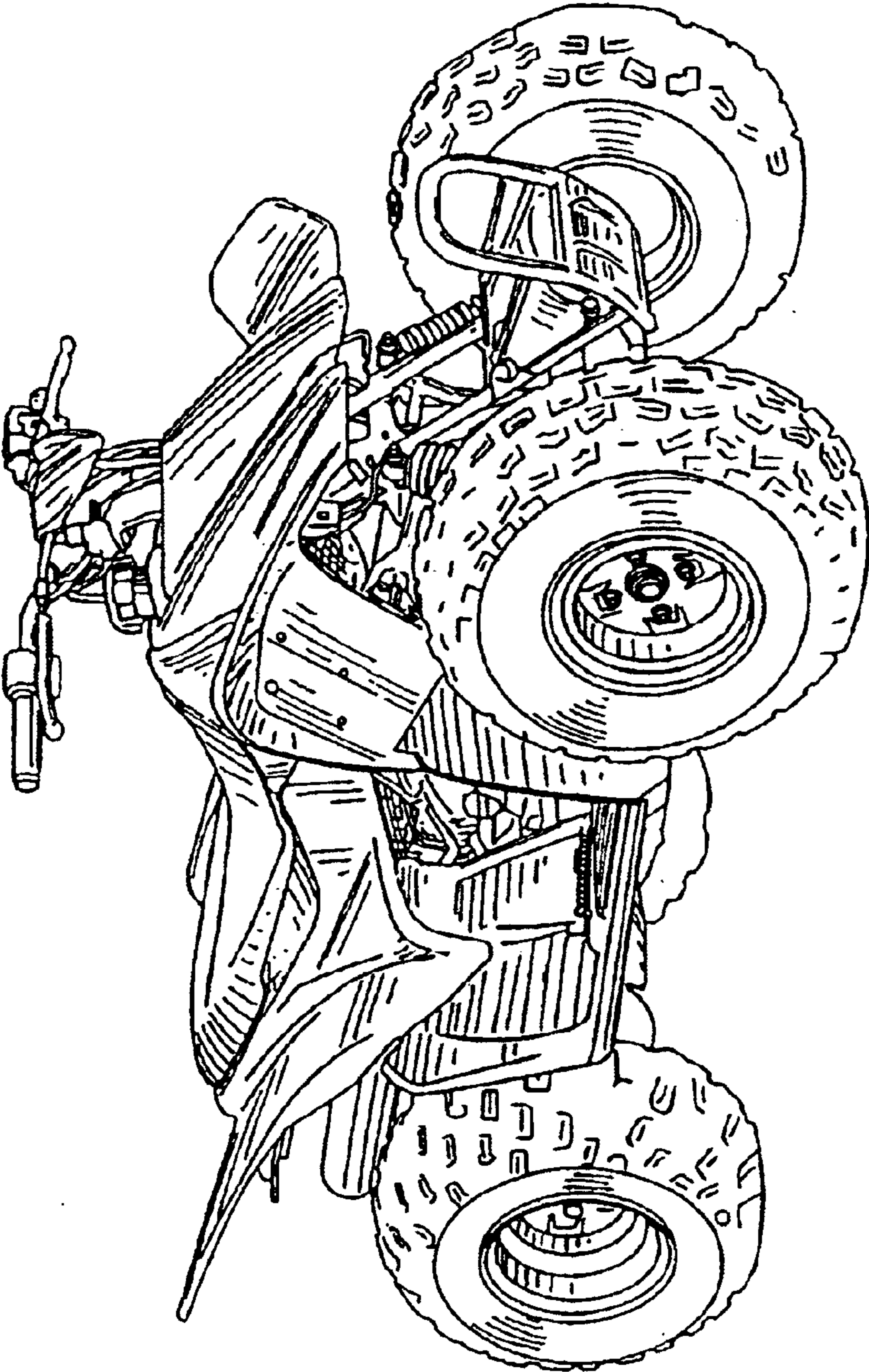


FIG. 8

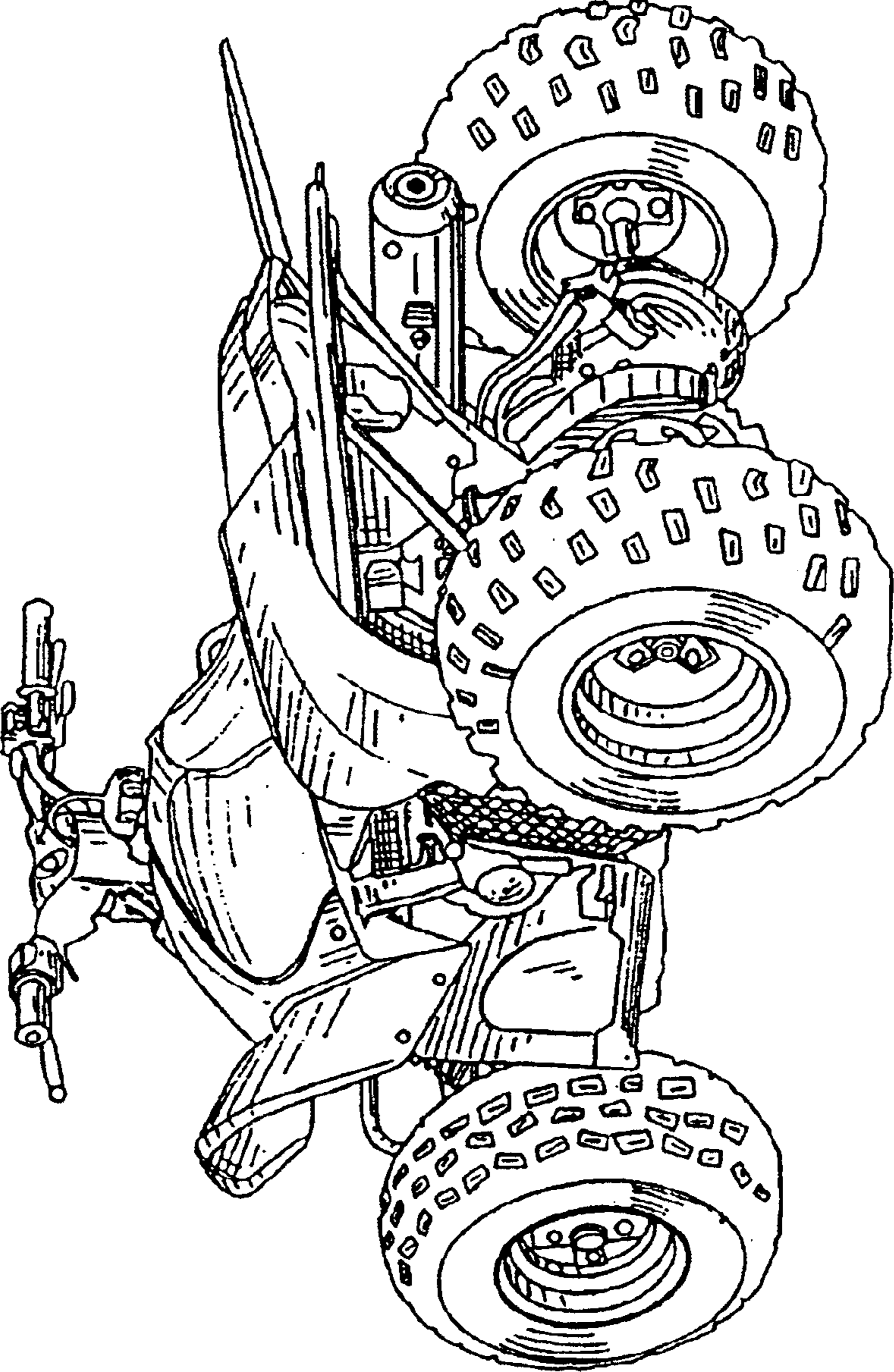


FIG. 9

