



US00D511997S

(12) **United States Design Patent**  
**Hamada**

(10) **Patent No.:** **US D511,997 S**  
(45) **Date of Patent:** **\*\* Nov. 29, 2005**

(54) **SLIDER BODY FOR SLIDE FASTENER**

(57) **CLAIM**

(75) Inventor: **Yoshikazu Hamada**, Toyama-Ken (JP)

I claim the ornamental design for a slider body for slide fastener, as shown and described.

(73) Assignee: **YKK Corporation**, Tokyo (JP)

(\*\*) Term: **14 Years**

**DESCRIPTION**

(21) Appl. No.: **29/199,916**

FIG. 1 is a front elevational view of the slider body for slide fastener of the claimed design.

(22) Filed: **Feb. 19, 2004**

FIG. 2 is a rear elevational view of the slider body for slide fastener of FIG. 1.

(30) **Foreign Application Priority Data**

FIG. 3 is a top plan view of the slider body for slide fastener of FIG. 1.

Feb. 10, 2004 (JP) ..... 2004-003260

FIG. 4 is a bottom plan view of the slider body for slide fastener of FIG. 1.

Feb. 10, 2004 (JP) ..... 2004-003261

(51) **LOC (8) Cl.** ..... **02-07**

FIG. 5 is a right side elevational view of the slider body for slide fastener of FIG. 1, the left side view being a mirror image.

(52) **U.S. Cl.** ..... **D11/221**

(58) **Field of Search** ..... D11/200, 201,  
D11/221; 24/415-417, 419, 421, 427-431,  
381-382, 385, 387, 433

FIG. 6 is a perspective view of the slider body for slide fastener of FIG. 1.

(56) **References Cited**

FIG. 7 is a front elevational view of another slider body for slide fastener of the claimed design.

**U.S. PATENT DOCUMENTS**

D380,988 S	*	7/1997	Mizuno	.....	D11/221
D437,805 S	*	2/2001	Yoneoka	.....	D11/221
D446,165 S	*	8/2001	Yoneoka	.....	D11/221
D471,134 S	*	3/2003	Yoneoka et al.	.....	D11/221
D484,829 S	*	1/2004	Yamamoto et al.	.....	D11/221
D497,570 S	*	10/2004	Iwase	.....	D11/221
D497,836 S	*	11/2004	Iwase	.....	D11/221

FIG. 8 is a rear elevational view of the slider body for slide fastener of FIG. 7.

FIG. 9 is a top plan view of the slider body for slide fastener of FIG. 7.

FIG. 10 is a bottom plan view of the slider body for slide fastener of FIG. 7.

FIG. 11 is a right side elevational view of the slider body for slide fastener of FIG. 7, the left side view being a mirror image; and,

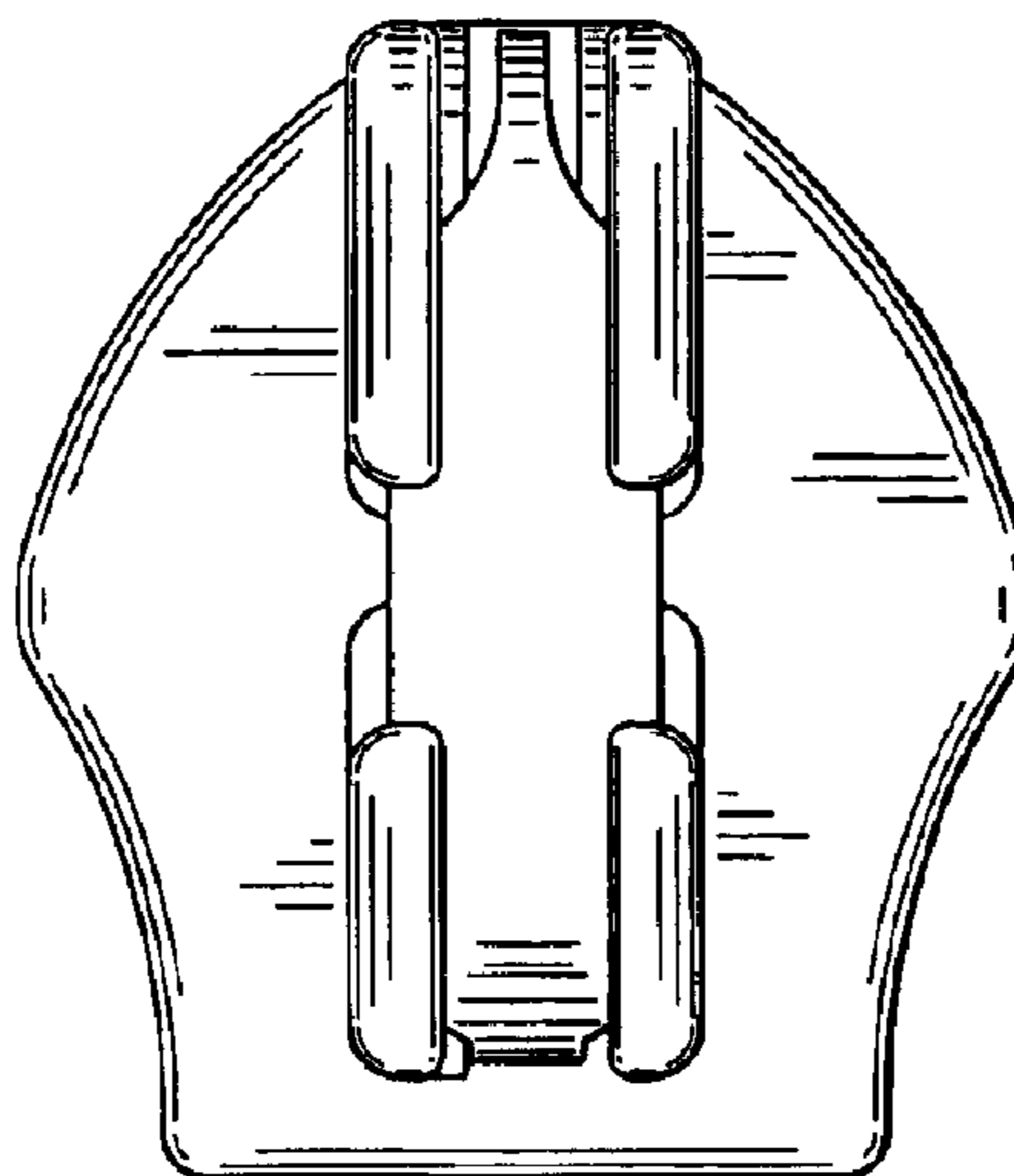
\* cited by examiner

FIG. 12 is a perspective view of the slider body for slide fastener of FIG. 7.

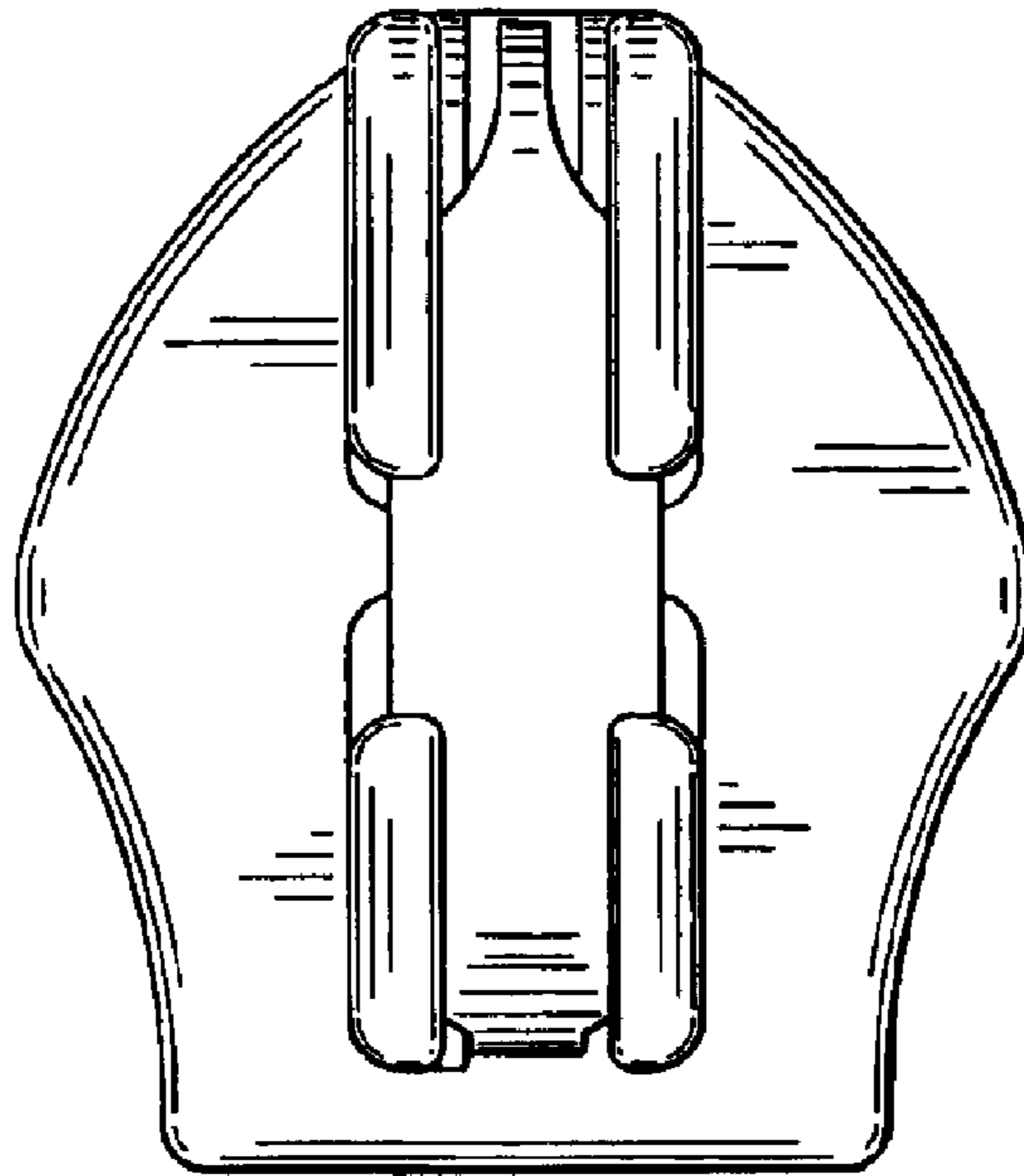
*Primary Examiner*—Ralf Seifert

(74) *Attorney, Agent, or Firm*—Michael S. Leonard;  
Everest Intellectual Property Law Group

**1 Claim, 6 Drawing Sheets**



**FIG.1**



**FIG.2**

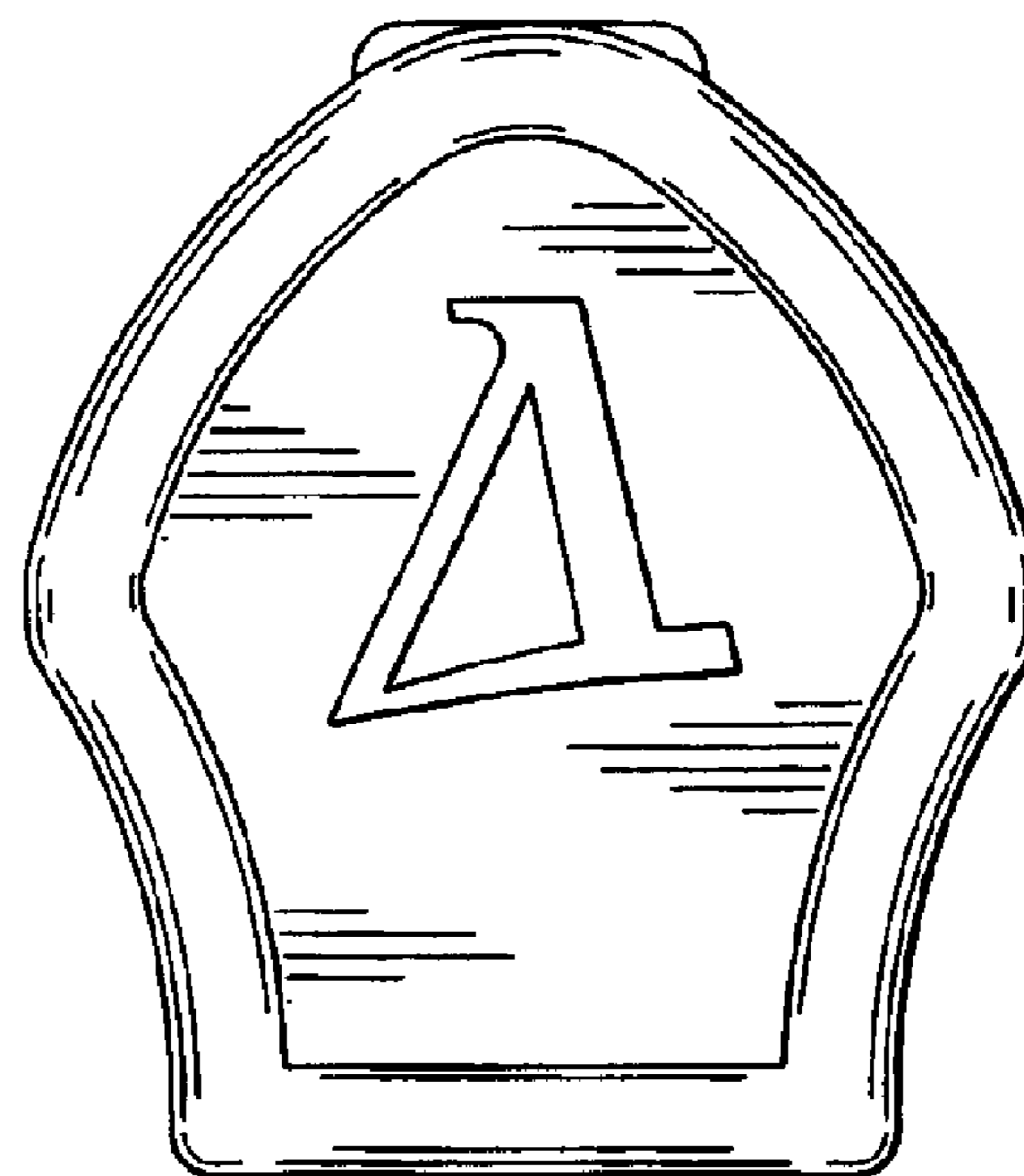


FIG. 3

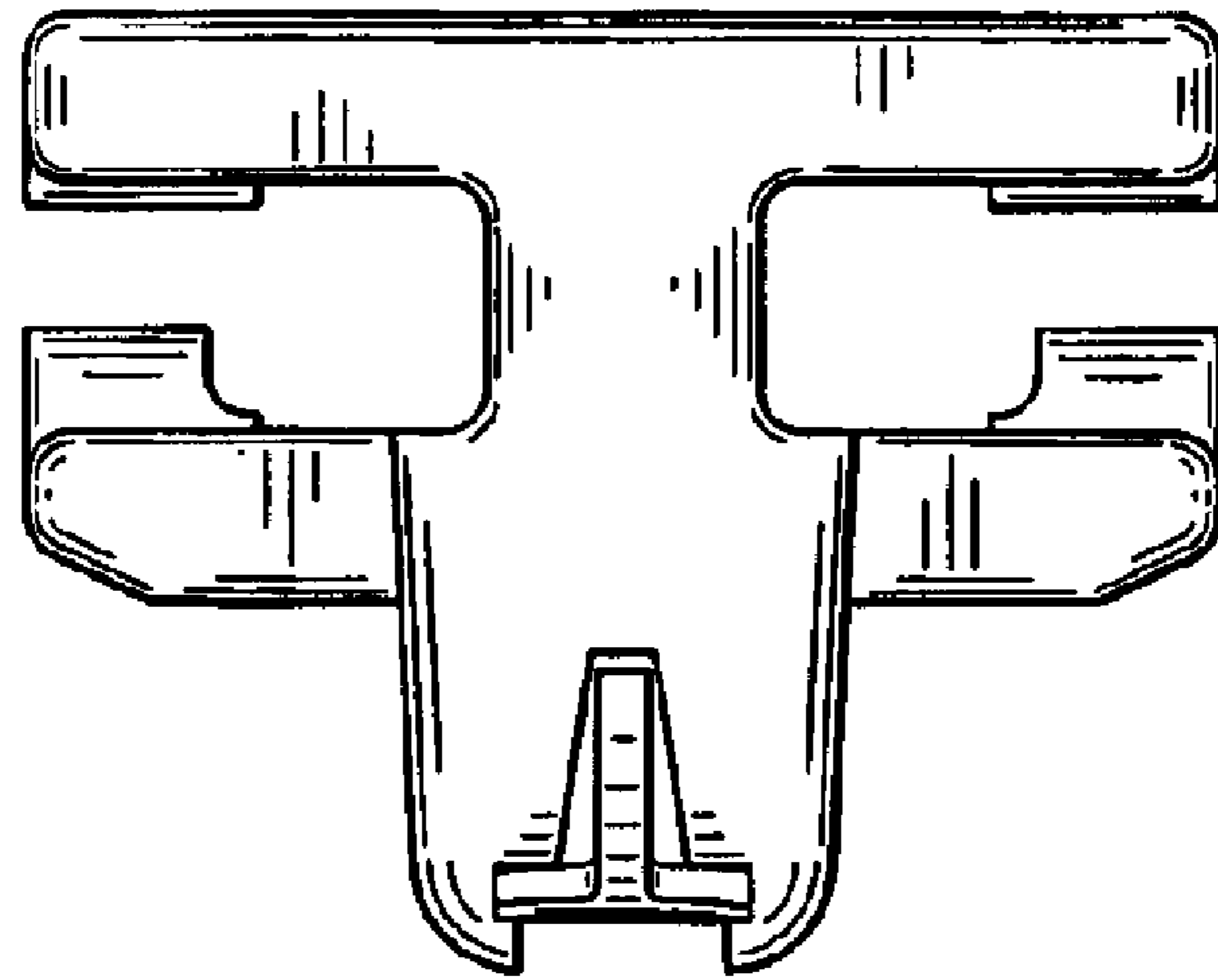


FIG. 4

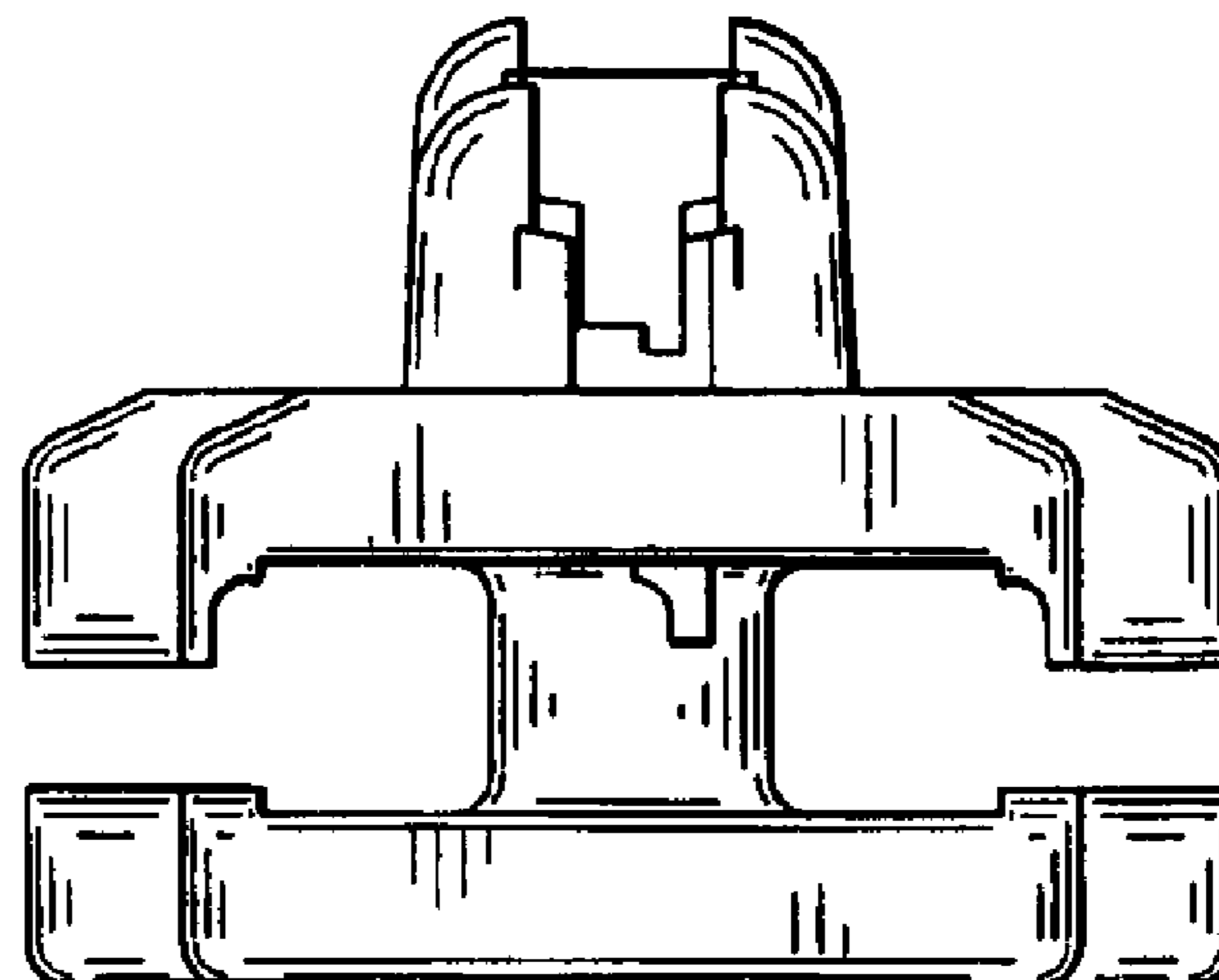


FIG. 5

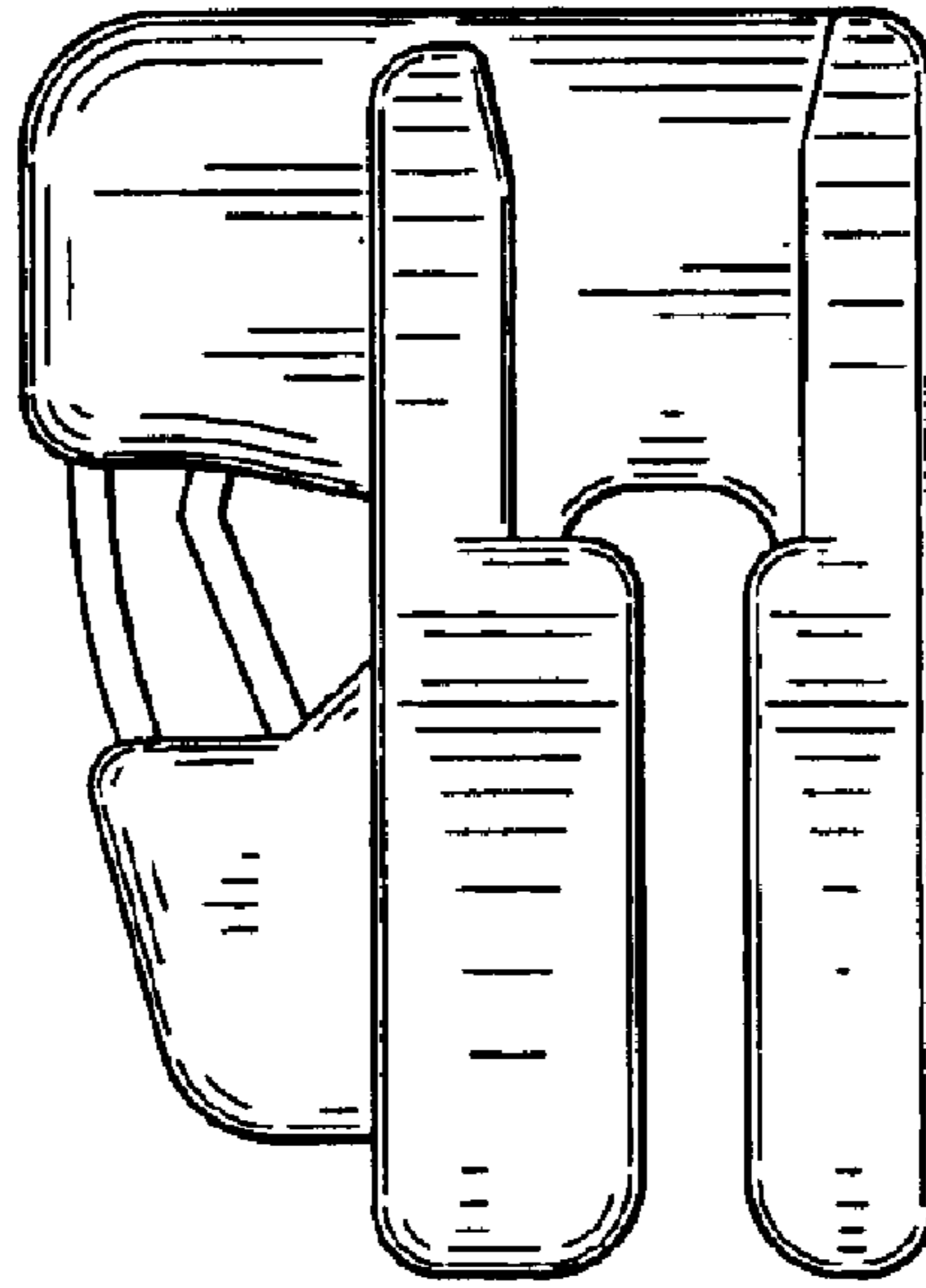


FIG. 6

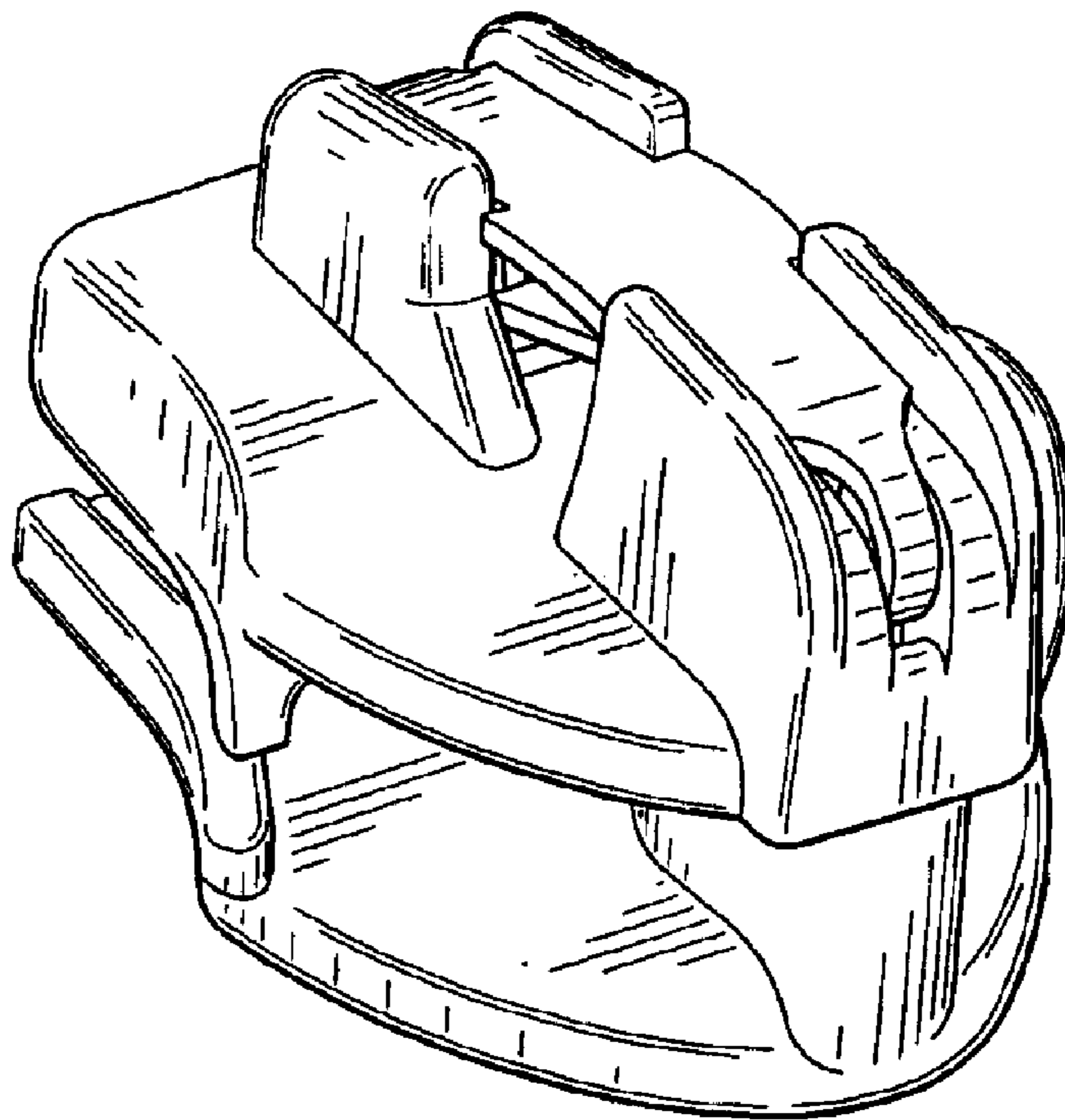


FIG. 7

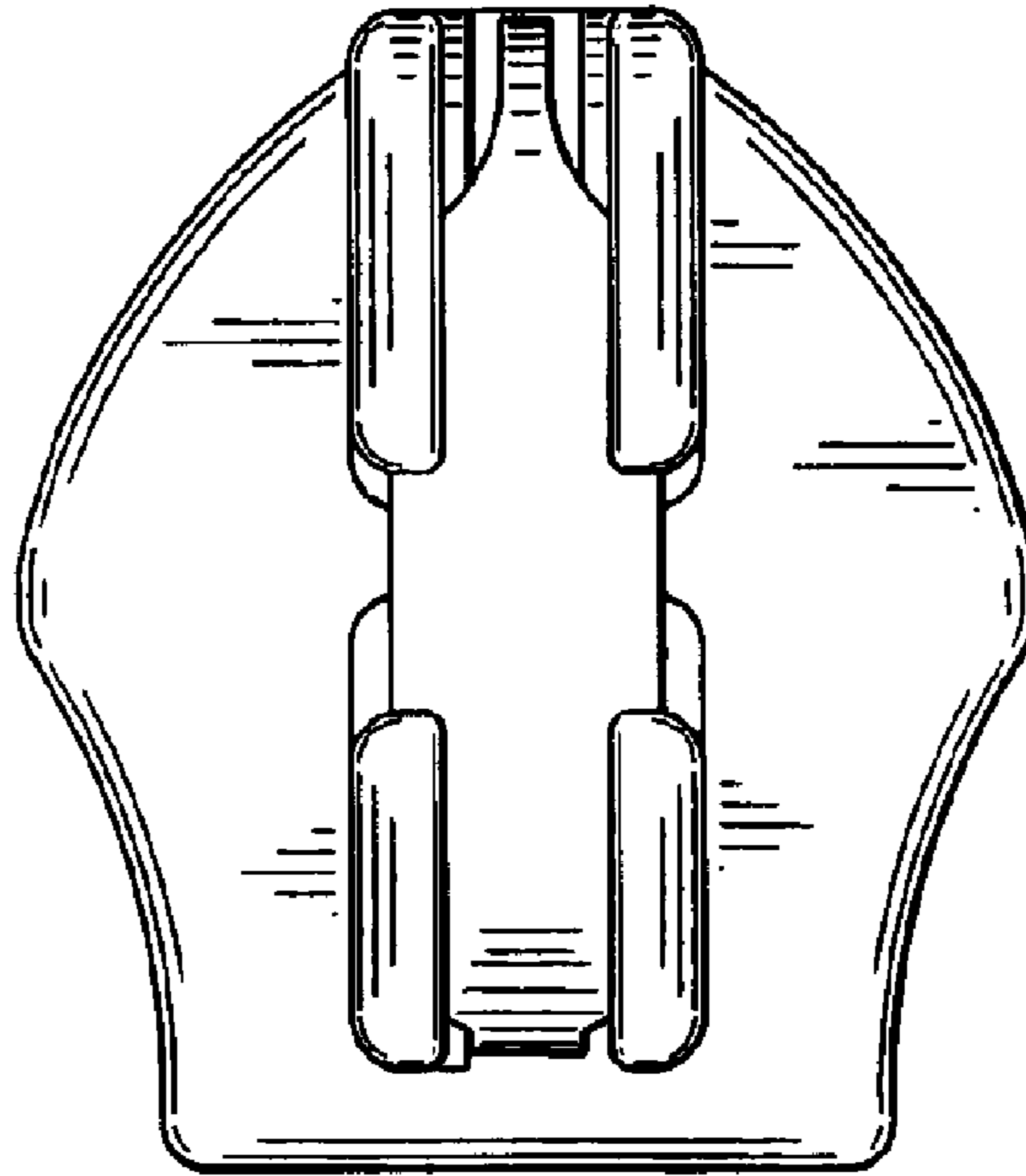


FIG. 8

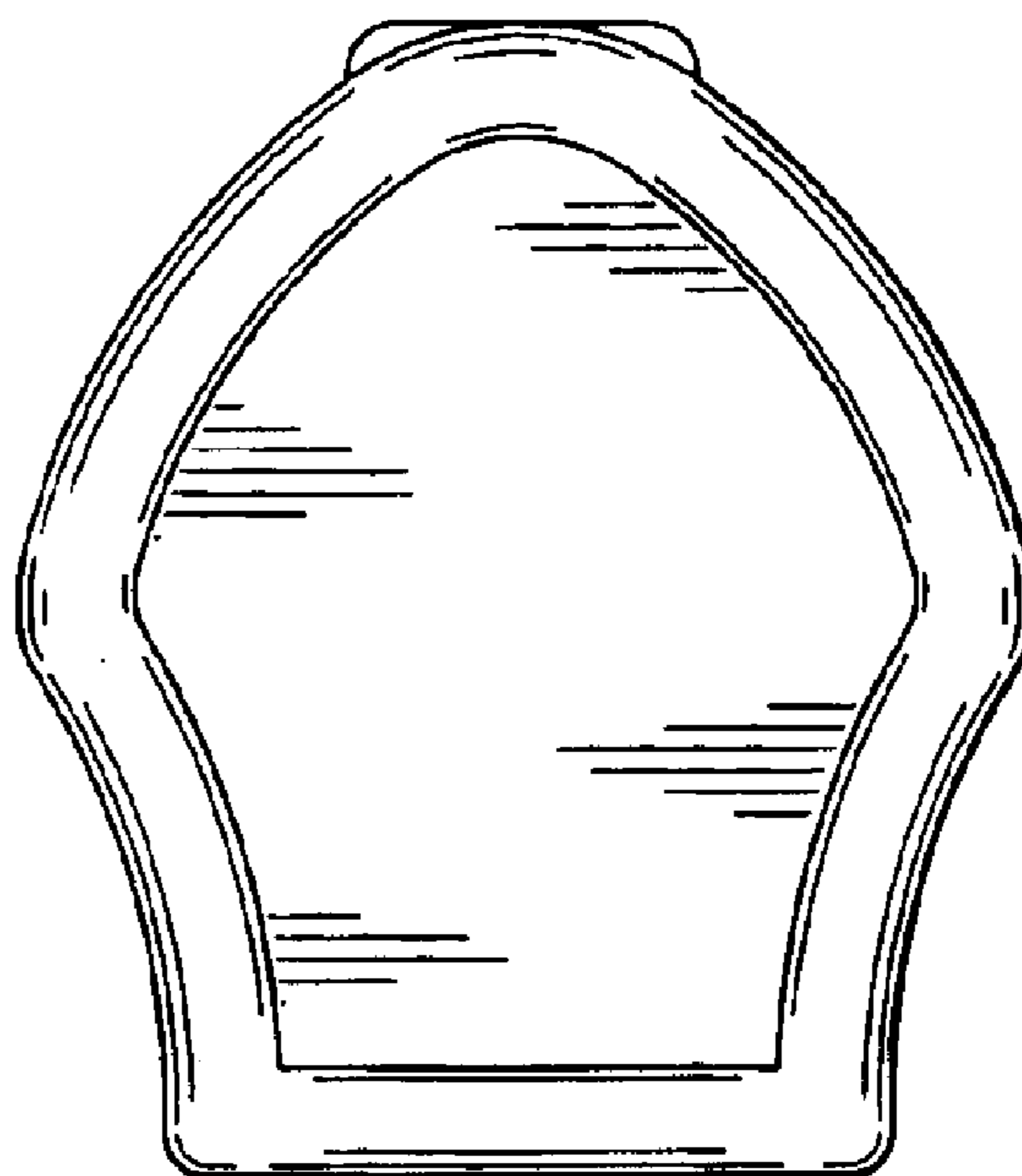


FIG. 9

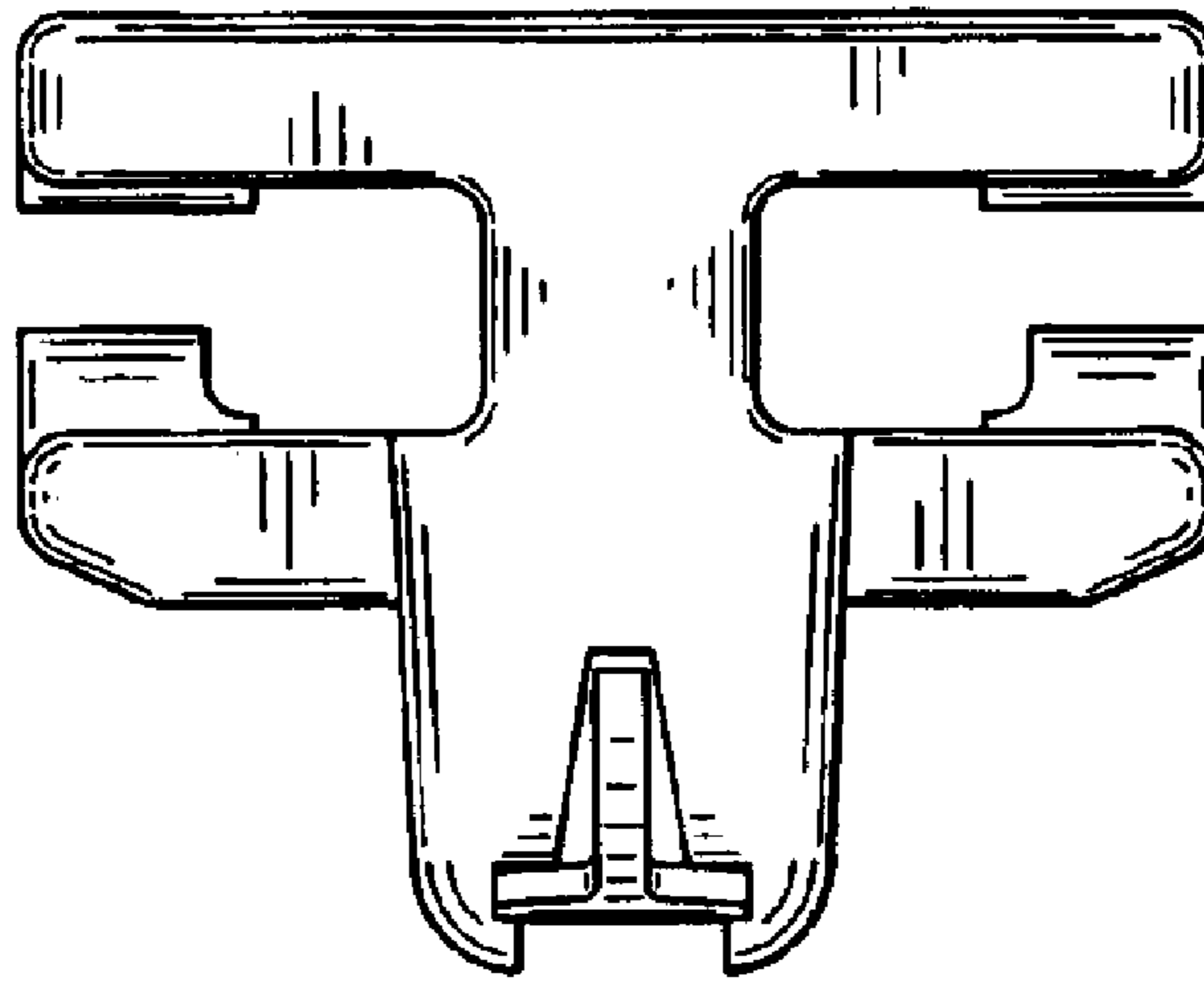


FIG. 10

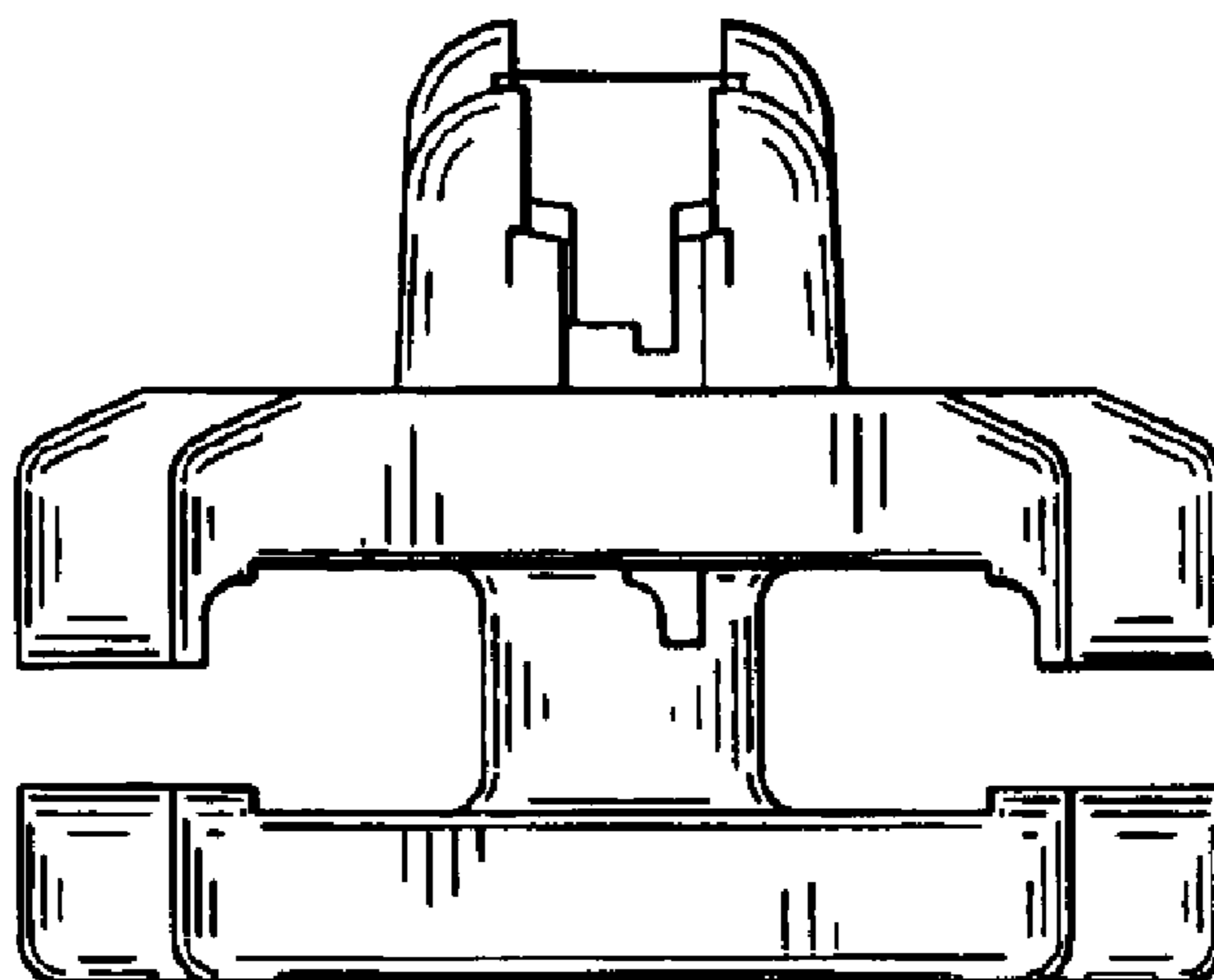


FIG. 11

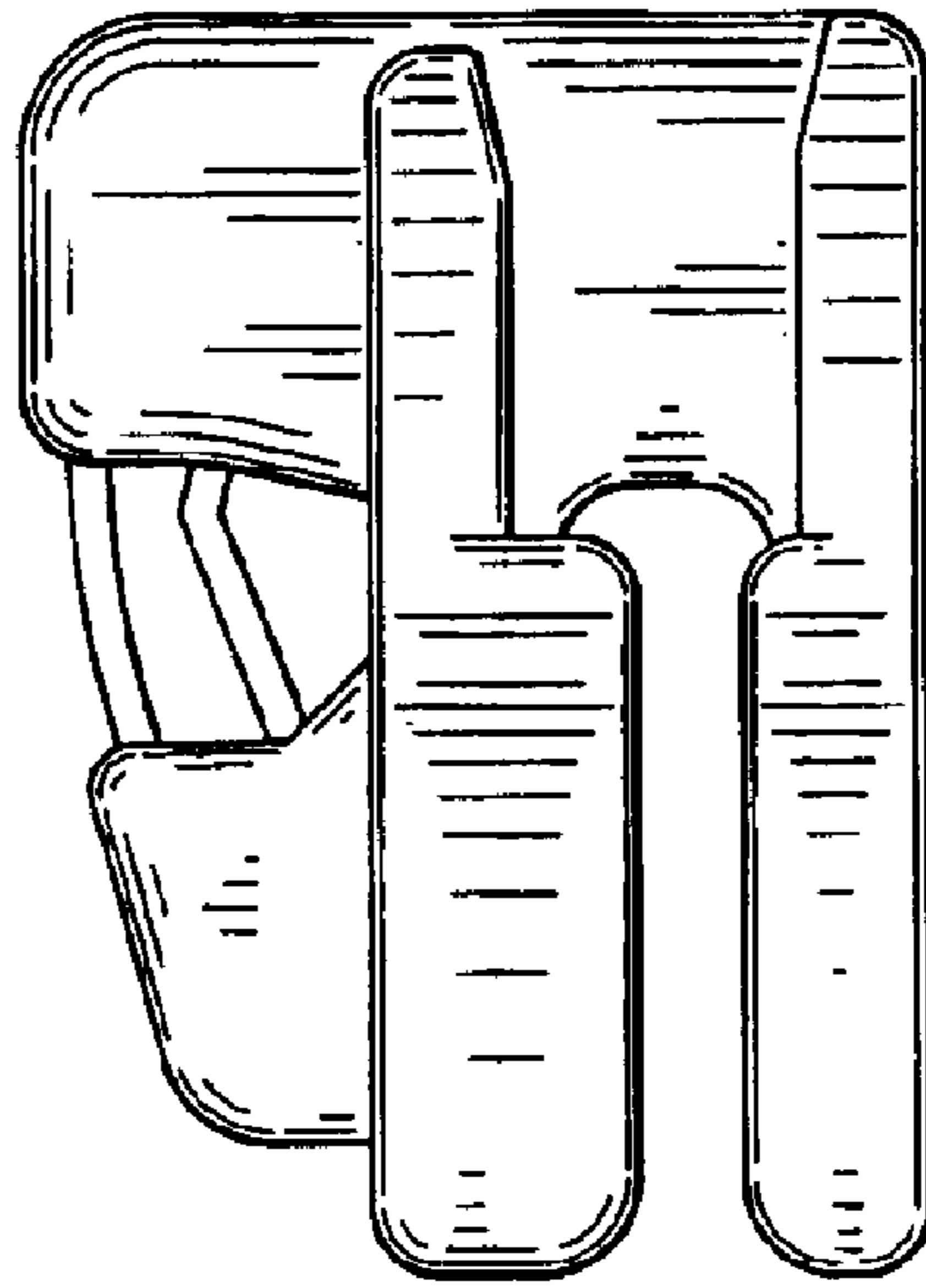


FIG. 12

