



US00D511994S

(12) **United States Design Patent**
Chan

(10) **Patent No.:** **US D511,994 S**

(45) **Date of Patent:** **** Nov. 29, 2005**

(54) **GEMSTONE**

(75) **Inventor:** **Vicki Chan, Kowloon (CN)**

(73) **Assignee:** **Continental Jewelry USA, Inc., New York, NY (US)**

(**) **Term:** **14 Years**

(21) **Appl. No.:** **29/223,612**

(22) **Filed:** **Feb. 16, 2005**

(51) **LOC (8) Cl.** **11-01**

(52) **U.S. Cl.** **D11/90**

(58) **Field of Search** D11/1-2, 26-29,
D11/89-92; 63/26-28, 32

(56) **References Cited**

U.S. PATENT DOCUMENTS

D20,043 S	*	7/1890	Cottier	D11/90
D70,264 S	*	6/1926	Craft	D11/90
D70,265 S	*	6/1926	Craft	D11/90
D250,100 S	*	10/1978	Finker et al.	D11/90
D268,398 S	*	3/1983	Gennari	D11/89
D283,878 S	*	5/1986	Henrickson	D11/90
D373,971 S		9/1996	Katz		
D384,593 S		10/1997	Katz		
D389,087 S		1/1998	Kattan		
D399,165 S		10/1998	Katz		
D402,913 S		12/1998	Katz		
D415,062 S		10/1999	Wolf		
6,007,907 A		12/1999	Wolf		
D421,930 S		3/2000	Wolf		
6,065,307 A		5/2000	Freilich		
D439,195 S		3/2001	Wolf		
D440,181 S		4/2001	Wolf		
D446,153 S		8/2001	Wolf		
D455,977 S		4/2002	Shah		
6,378,335 B1		4/2002	Siebenberg		
D457,829 S		5/2002	Cohen		

D460,017 S		7/2002	Chan		
D460,018 S		7/2002	Chan		
D460,380 S		7/2002	Cohen		
D462,634 S		9/2002	Cohen		
D463,316 S		9/2002	Wolf		
D466,435 S		12/2002	Chan		
D472,181 S		3/2003	Cohen		
D482,636 S		11/2003	Pachauer		
D483,687 S		12/2003	Chan		
D487,412 S	*	3/2004	Virani	D11/90
D492,217 S		6/2004	Seibenberg		
D498,698 S	*	11/2004	Davidi	D11/89
D500,963 S	*	1/2005	Fuchs	D11/90
D501,156 S	*	1/2005	Tolkowsky	D11/90

OTHER PUBLICATIONS

U.S. Appl. No. 29/214,570, filed Oct. 5, 2004, Vicki Chan.
U.S. Appl. No. 29/214,568, filed Oct. 5, 2004, Vicki Chan.
U.S. Appl. No. 29/214,569, filed Oct. 5, 2004, Vicki Chan.

* cited by examiner

Primary Examiner—Ralf Seifert

(74) *Attorney, Agent, or Firm*—Dorsey & Whitney LLP

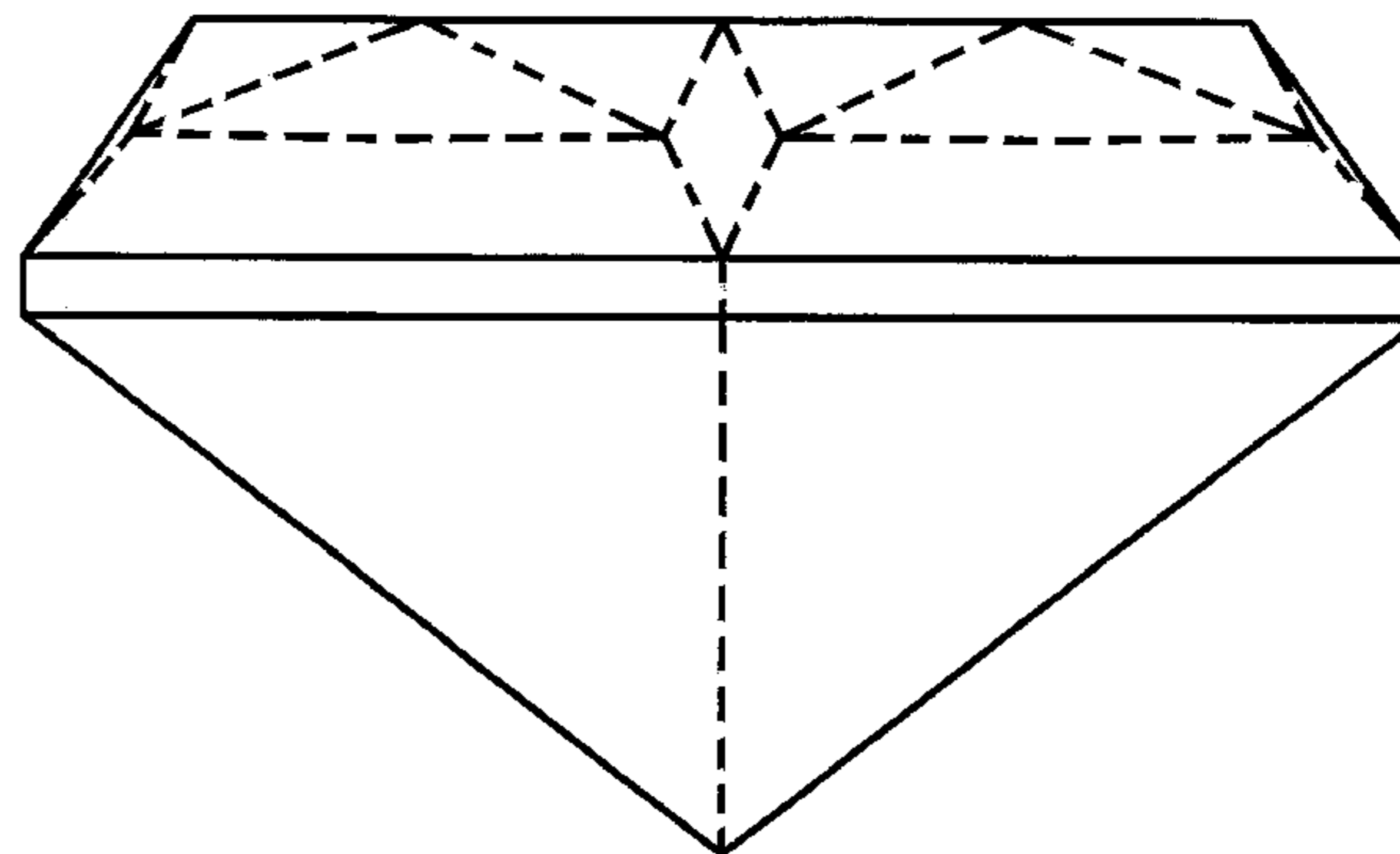
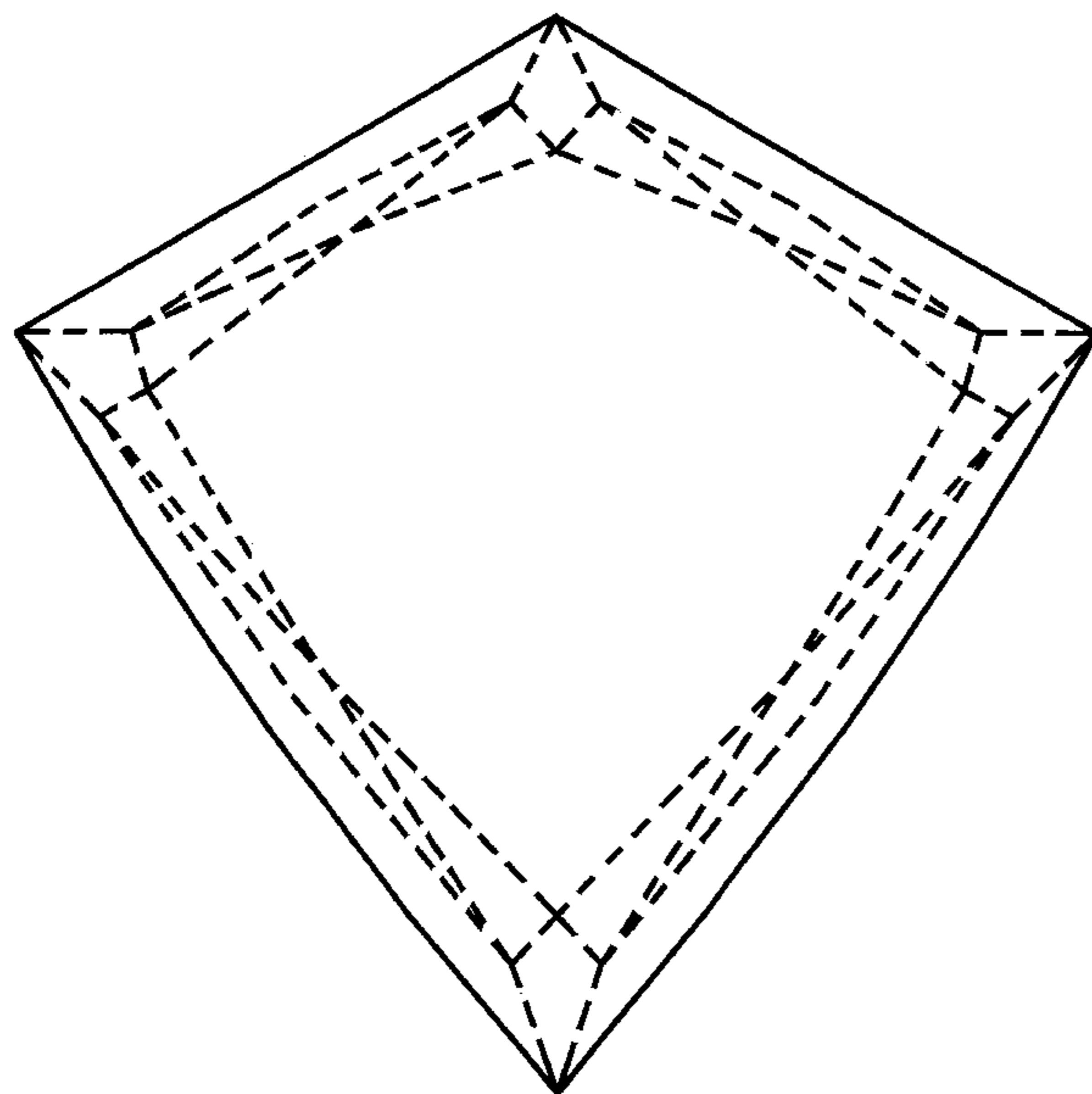
(57) **CLAIM**

The ornamental design of the gemstone, as shown and described.

DESCRIPTION

FIG. 1 is a top view of an exemplary embodiment of a gemstone showing my new design; FIG. 2 is a front side view of the gemstone of FIG. 1; FIG. 3 is a left side view of the gemstone of FIG. 1; and, FIG. 4 is a perspective view of the gemstone of FIG. 1. The broken lines are provided for illustrative purposes only, and form no part of the claimed design. In addition, the portions of the gemstone that are not shown in the drawing do not form any part of the claimed design.

1 Claim, 4 Drawing Sheets



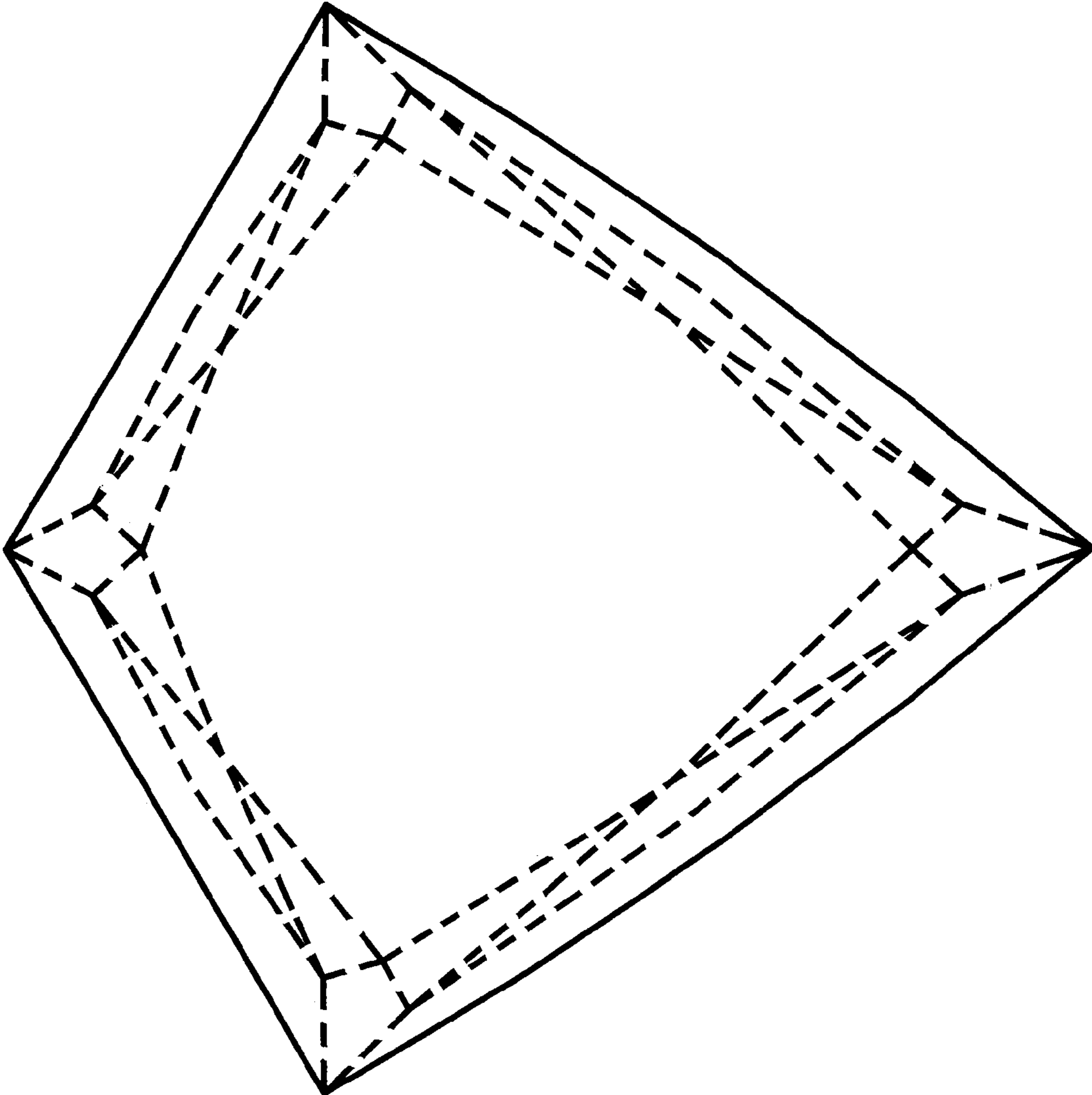


FIG. 1

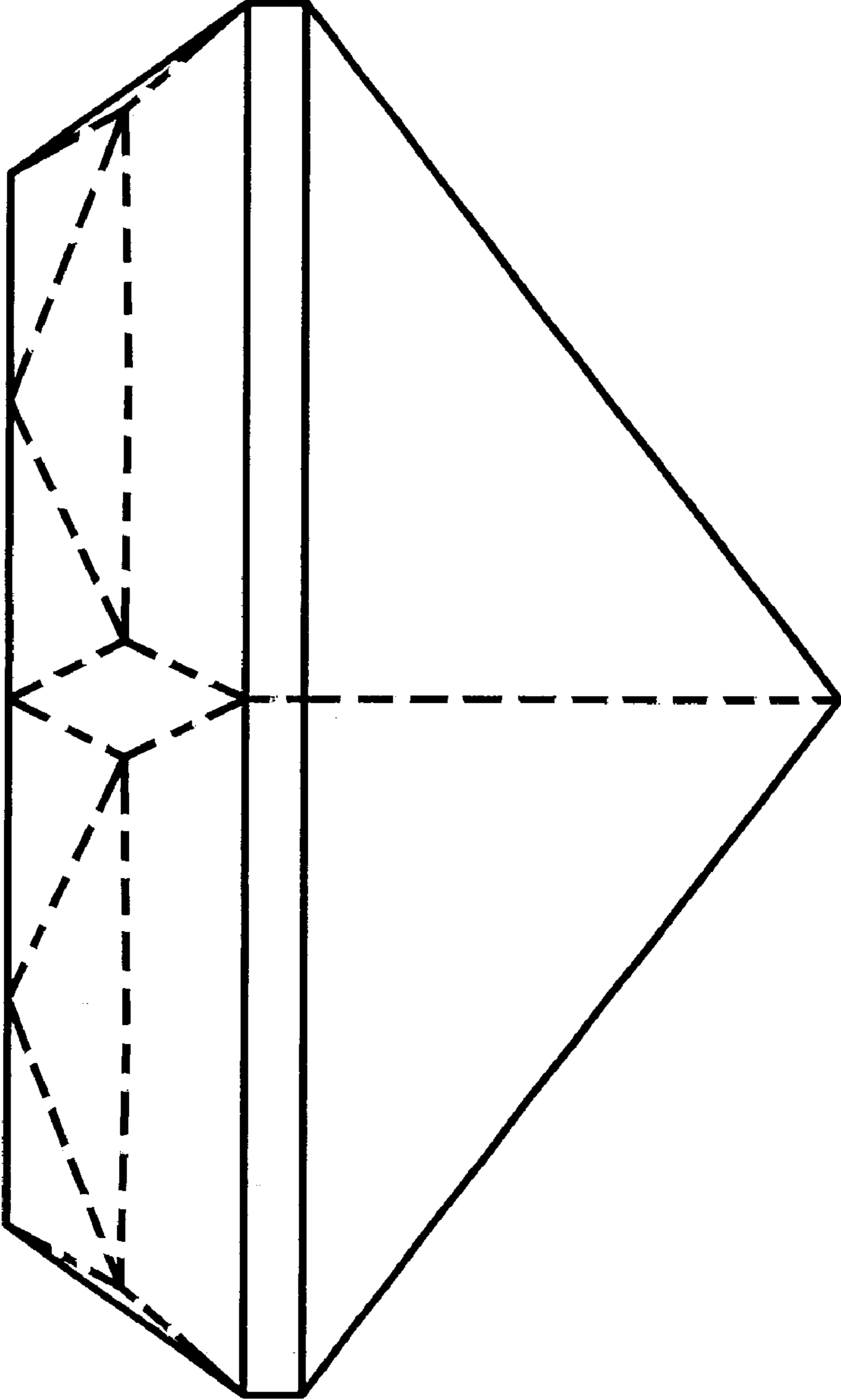


FIG. 2

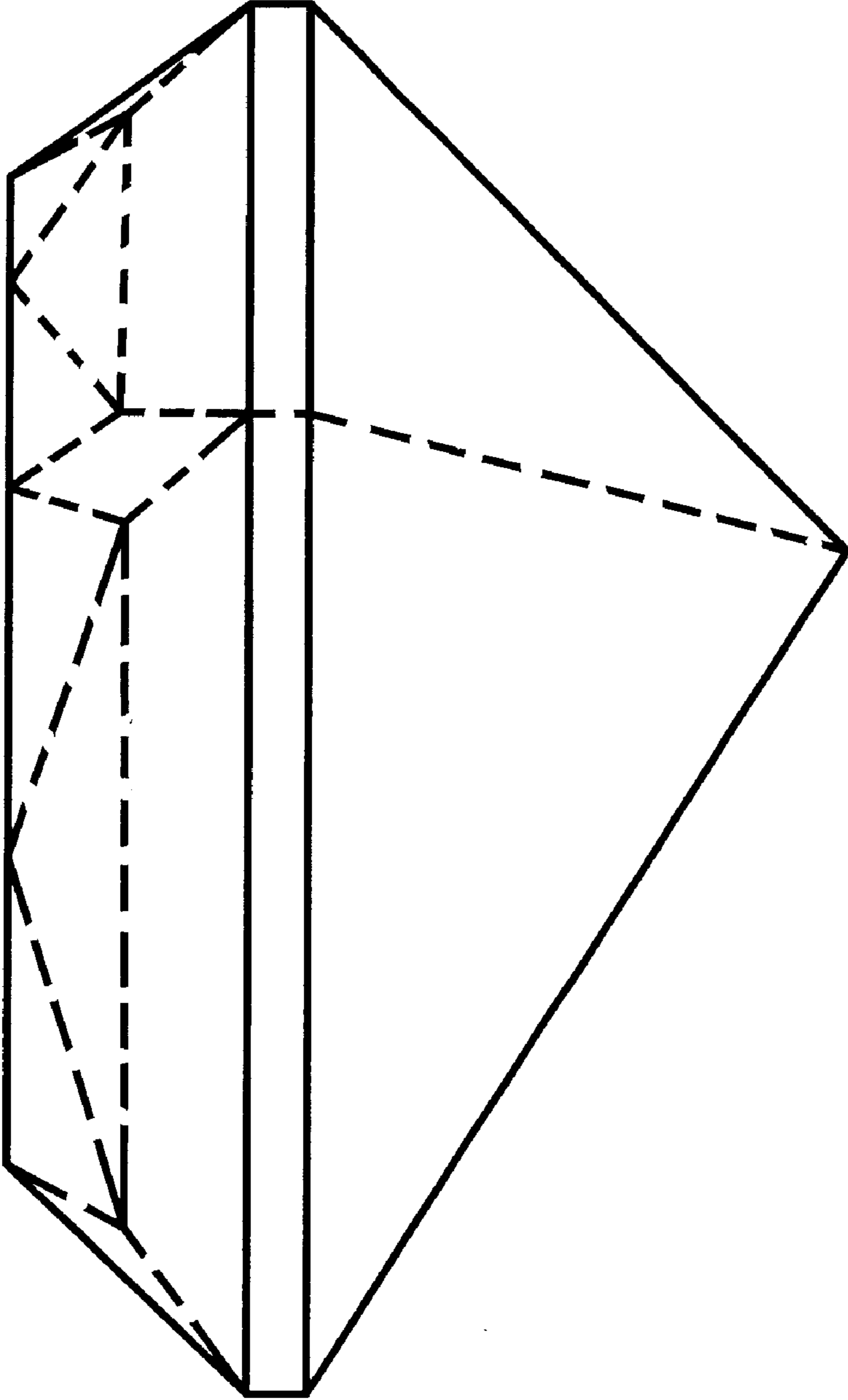


FIG. 3

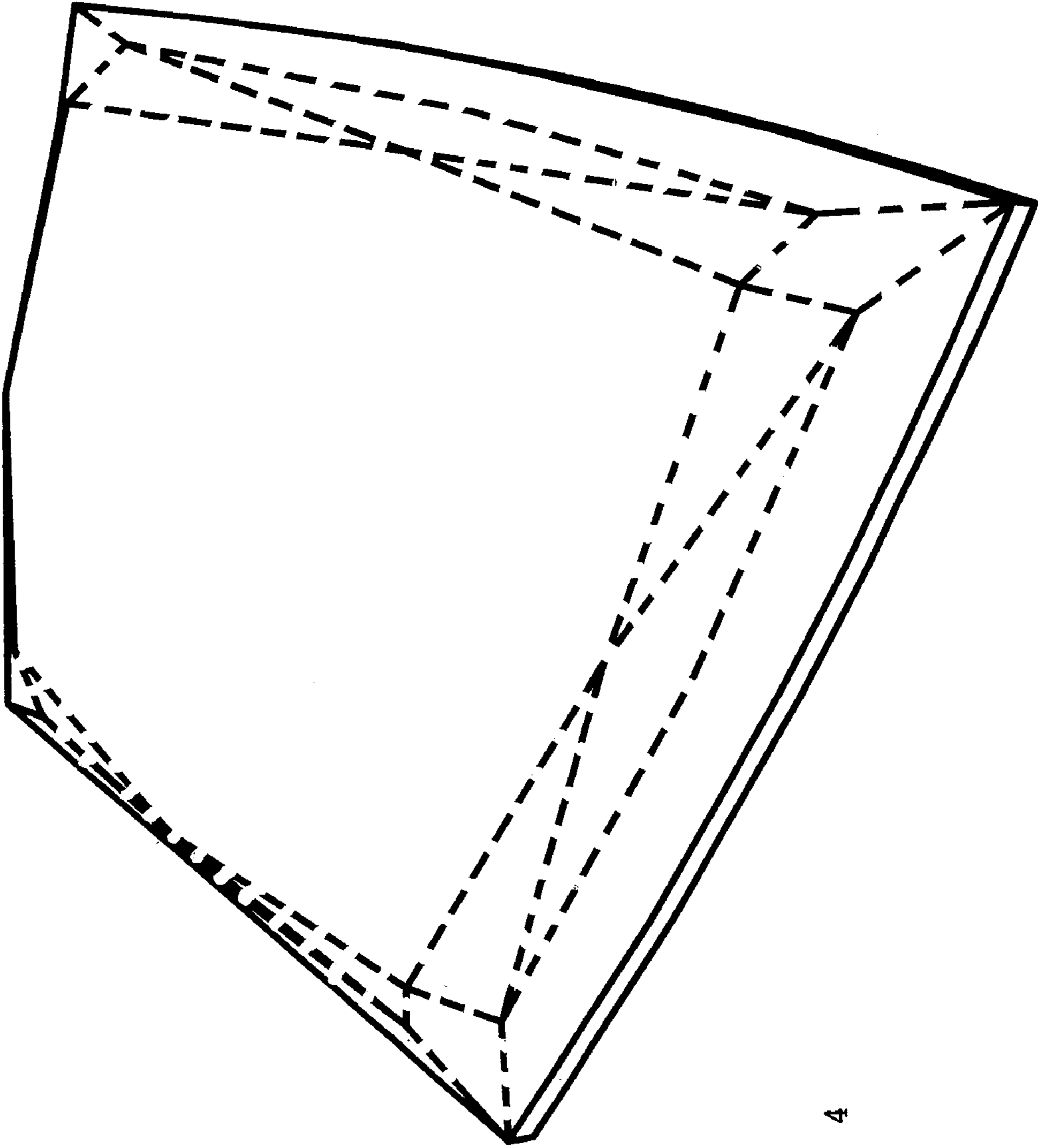


FIG. 4