



US00D511985S

(12) **United States Design Patent**  
**Kelly, Jr.**

(10) **Patent No.: US D511,985 S**

(45) **Date of Patent: \*\* Nov. 29, 2005**

(54) **CANDLE HOLDER WARNING DEVICE**

(76) **Inventor: Edward J. Kelly, Jr., 917 N. 21<sup>st</sup> St., Allentown, PA (US) 18104**

(\*\*) **Term: 14 Years**

(21) **Appl. No.: 29/224,466**

(22) **Filed: Mar. 2, 2005**

(51) **LOC (8) Cl. .... 10-05**

(52) **U.S. Cl. .... D10/106**

(58) **Field of Search ..... D26/10, 67, 34, D26/22; D14/156; D10/105, 104, 103, 91, 106; D7/624.1; 177/238; 73/862.474; 417/14**

(56) **References Cited**

**U.S. PATENT DOCUMENTS**

D53,726 S	*	8/1919	Berge	.....	D10/74
D228,721 S	*	10/1973	Todd	.....	D7/624.1
D317,697 S	*	6/1991	Lage	.....	D7/624.1
D378,578 S	*	3/1997	Eberhardt	.....	D10/104
D397,233 S	*	8/1998	Bassford	.....	D26/67
D407,985 S	*	4/1999	Pimentel	.....	D10/104
D421,775 S	*	3/2000	Goto	.....	D21/329

D474,757 S	*	5/2003	Takagi	.....	D14/156
D482,672 S	*	11/2003	Takagi	.....	D14/156
D489,578 S	*	5/2004	Lai	.....	D7/624.1
D491,549 S	*	6/2004	Zeitman	.....	D14/156
2004/0083825 A1	*	5/2004	Tsutaya	.....	73/862.474

\* cited by examiner

*Primary Examiner*—Cathron C. Brooks

*Assistant Examiner*—Austin Murphy

(57) **CLAIM**

The ornamental design for a candle holder warning device, as shown.

**DESCRIPTION**

FIG. 1 is a perspective view of a candle holder warning device showing my new design.

FIG. 2 is top view thereof;

FIG. 3 is a right side view thereof;

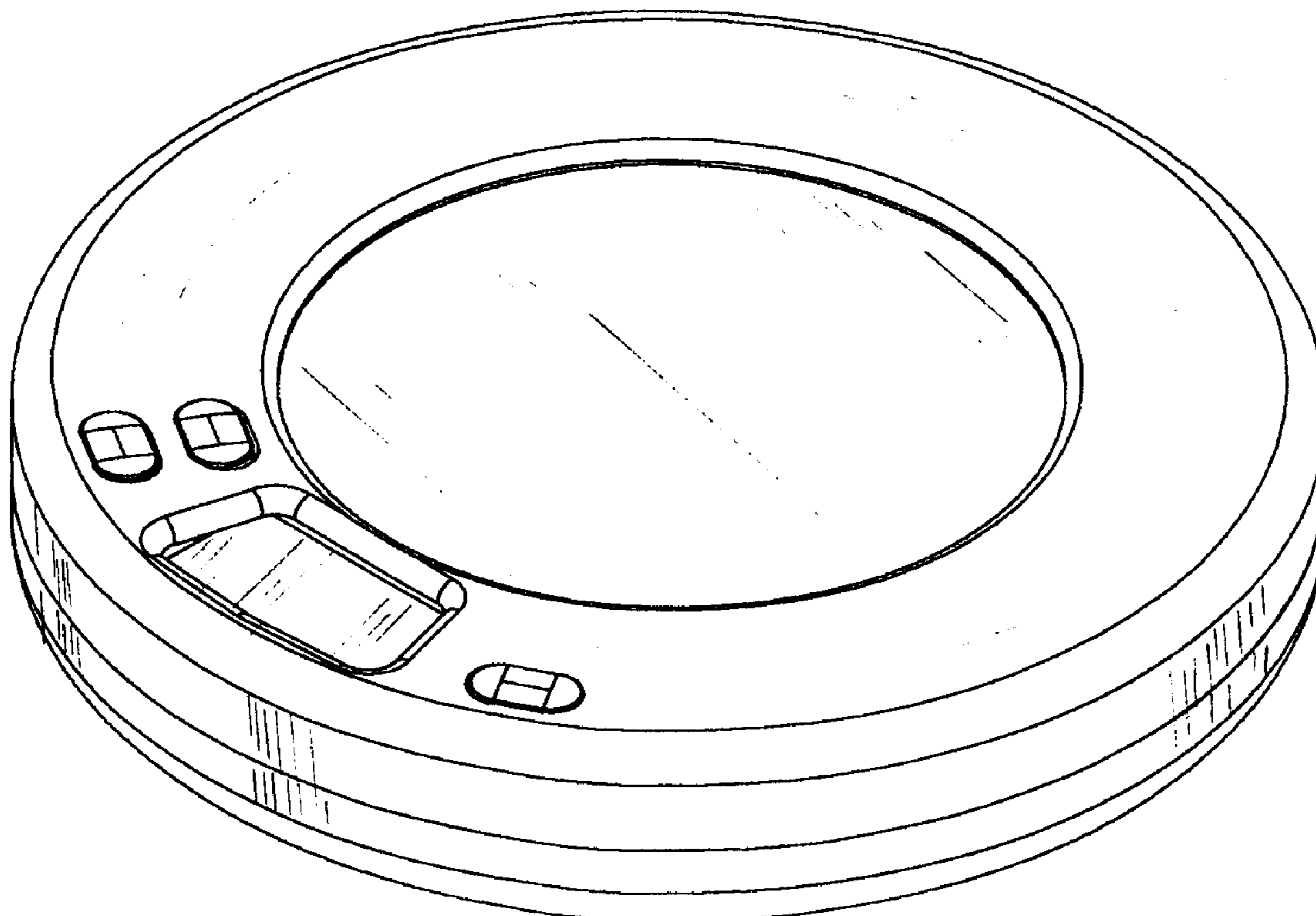
FIG. 4 is a left side view thereof;

FIG. 5 is a front view thereof;

FIG. 6 is a back view thereof; and,

FIG. 7 is a bottom view thereof.

**1 Claim, 5 Drawing Sheets**



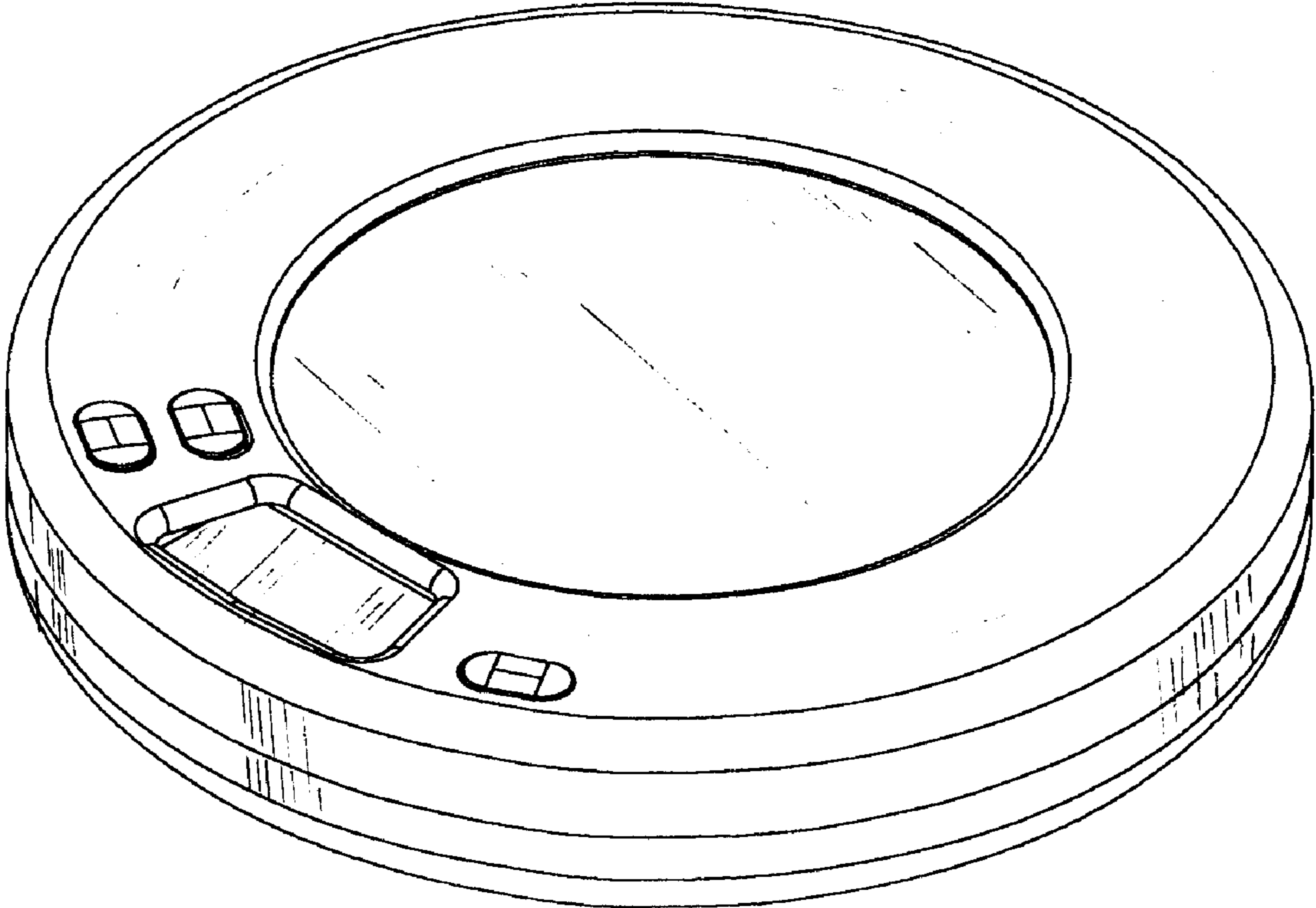


Fig. 1

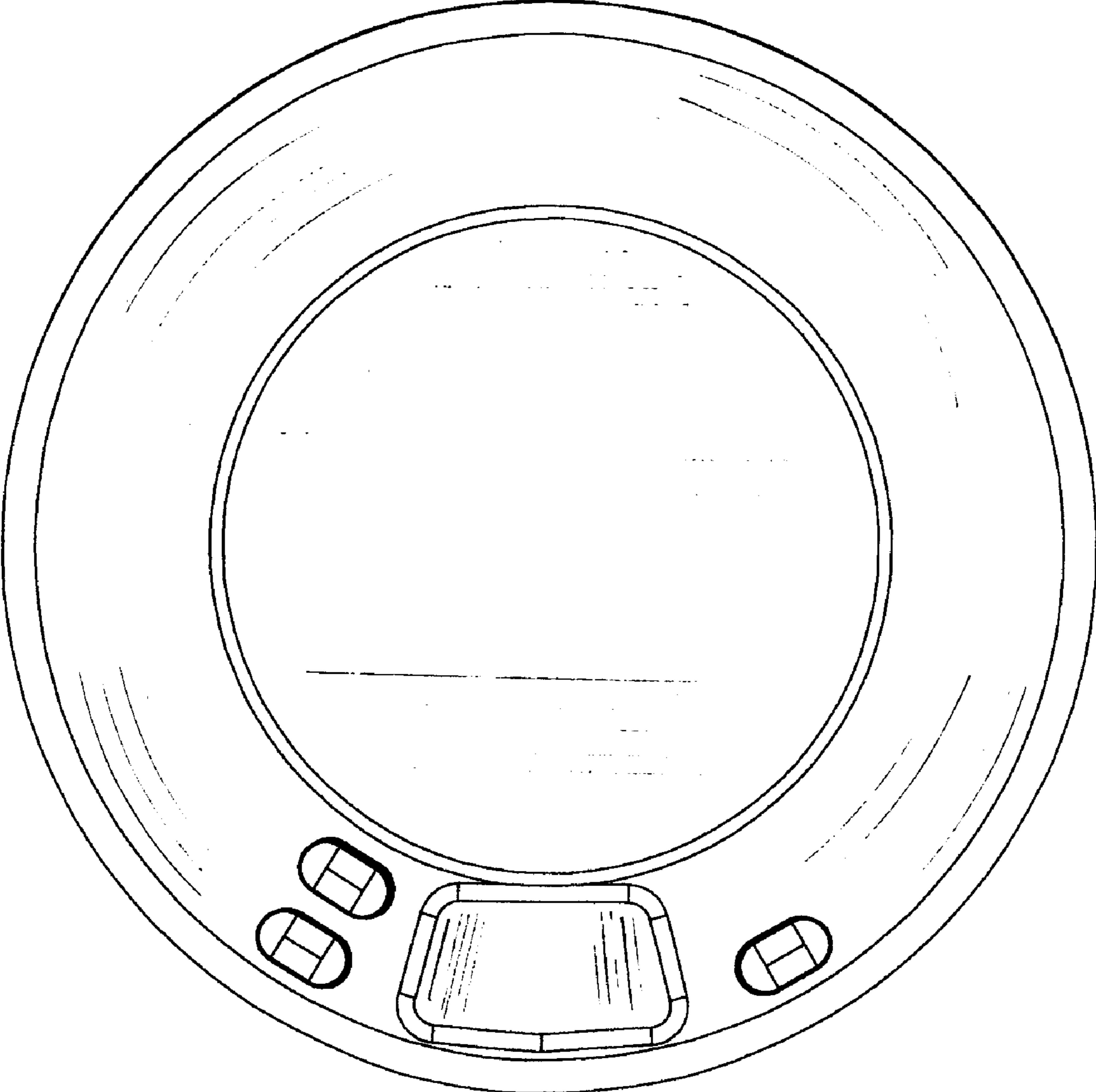
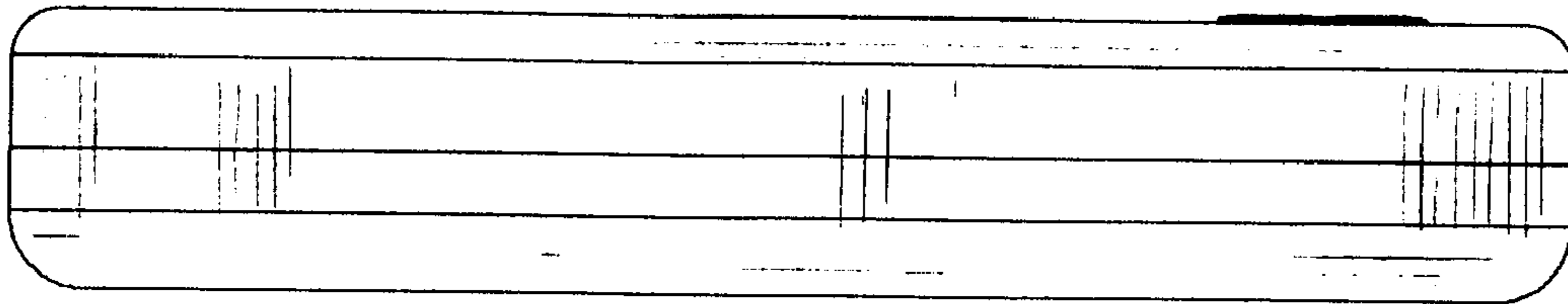
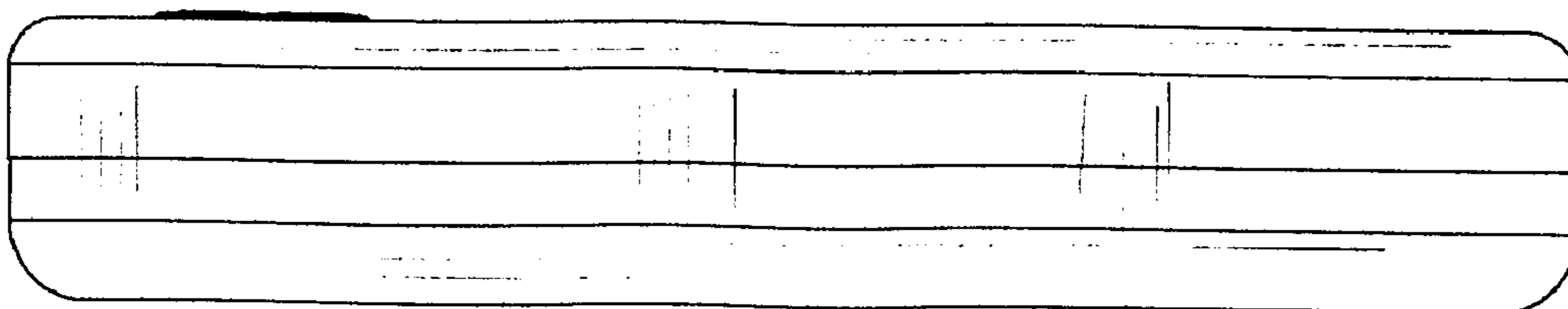


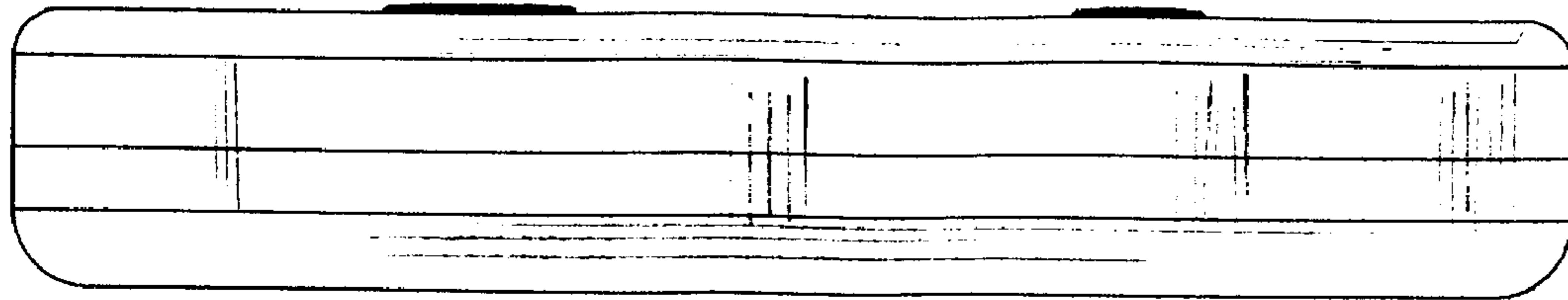
Fig. 2



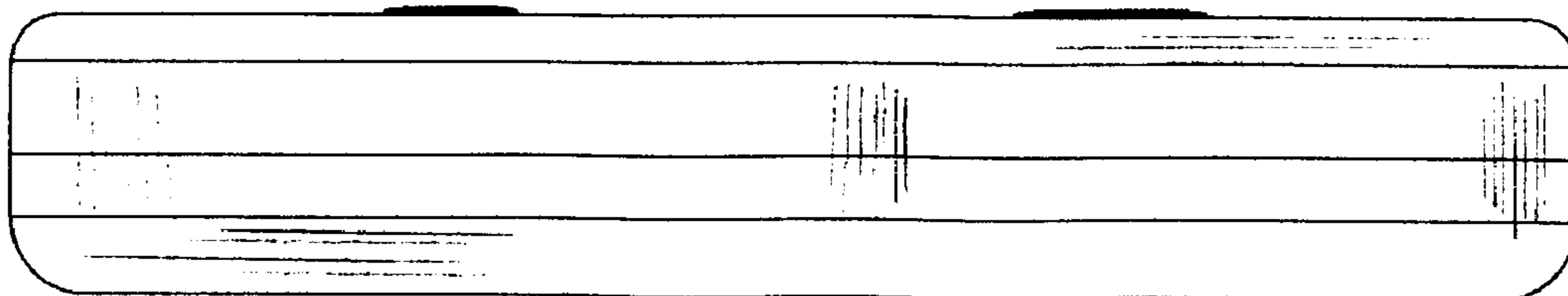
**Fig. 3**



**Fig. 4**



**Fig. 5**



**Fig. 6**

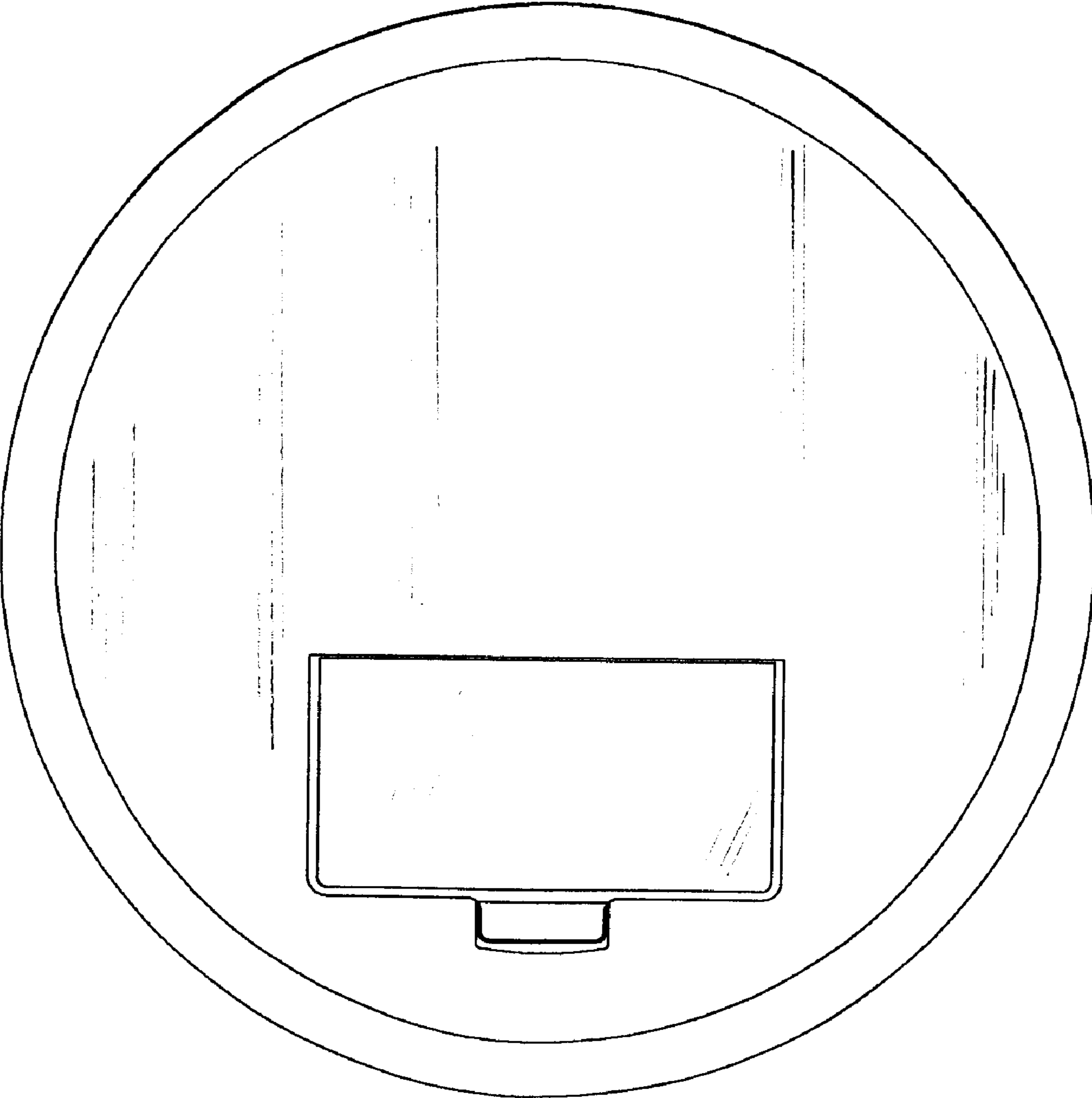


Fig. 7