



US00D511982S

(12) **United States Design Patent**  
**Koberling**

(10) **Patent No.:** **US D511,982 S**

(45) **Date of Patent:** **\*\* Nov. 29, 2005**

(54) **PERSONAL WEIGHING SCALE**

D305,993 S \* 2/1990 Carnevale et al. .... D10/93  
D456,291 S \* 4/2002 Montagnino et al. .... D10/93  
6,646,209 B2 \* 11/2003 Montagnino et al. .... 177/126

(75) Inventor: **Toni Koberling**, Hamburg (DE)

\* cited by examiner

(73) Assignee: **seca GmbH**, Hamburg (DE)

*Primary Examiner*—Antoine D. Davis

(\*\*) Term: **14 Years**

(74) *Attorney, Agent, or Firm*—Nixon & Vanderhye P.C.

(21) Appl. No.: **29/215,727**

(57) **CLAIM**

(22) Filed: **Oct. 25, 2004**

The ornamental design for a “personal weighing scale,” as shown and described.

(30) **Foreign Application Priority Data**

Apr. 26, 2004 (DE) ..... 4 04 02 695

**DESCRIPTION**

(51) **LOC (8) Cl.** ..... **10-04**

FIG. 1 is a perspective view of a personal weighing scale in accordance with my new design;

(52) **U.S. Cl.** ..... **D10/93**

FIG. 2 is a front elevation thereof;

(58) **Field of Search** ..... D10/93; 177/238–241,  
177/47, 211; 600/506, 547

FIG. 3 is a rear elevation view thereof;

FIG. 4 is a left side elevation view thereof;

FIG. 5 is a right side elevation view thereof; and,

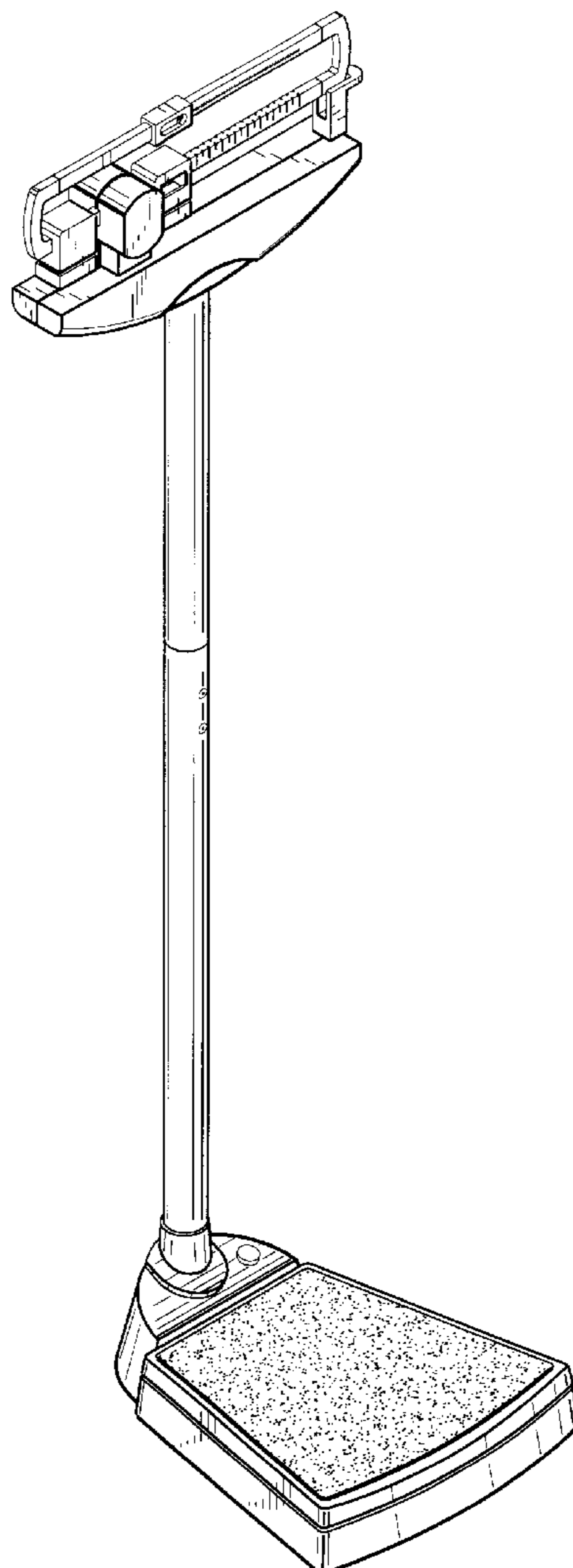
FIG. 6 is a top plan view thereof.

(56) **References Cited**

**U.S. PATENT DOCUMENTS**

4,750,575 A \* 6/1988 Carnevale et al. .... 177/47

**1 Claim, 6 Drawing Sheets**



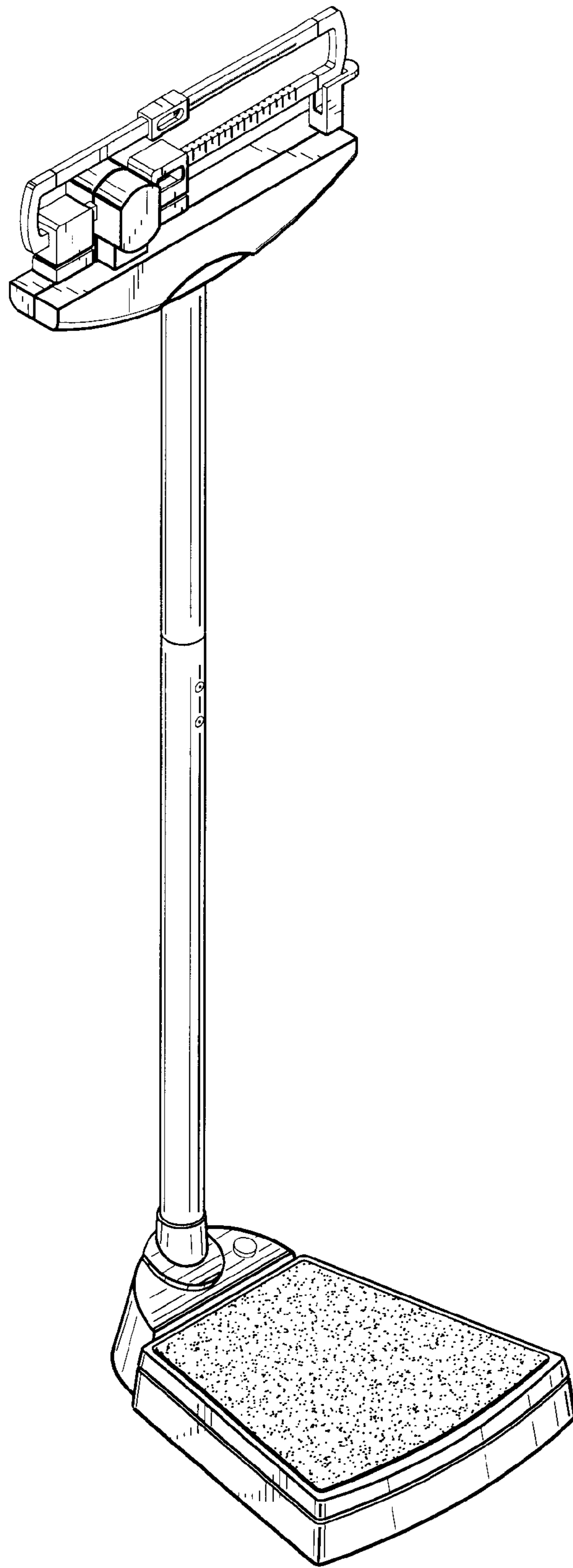


Fig. 1

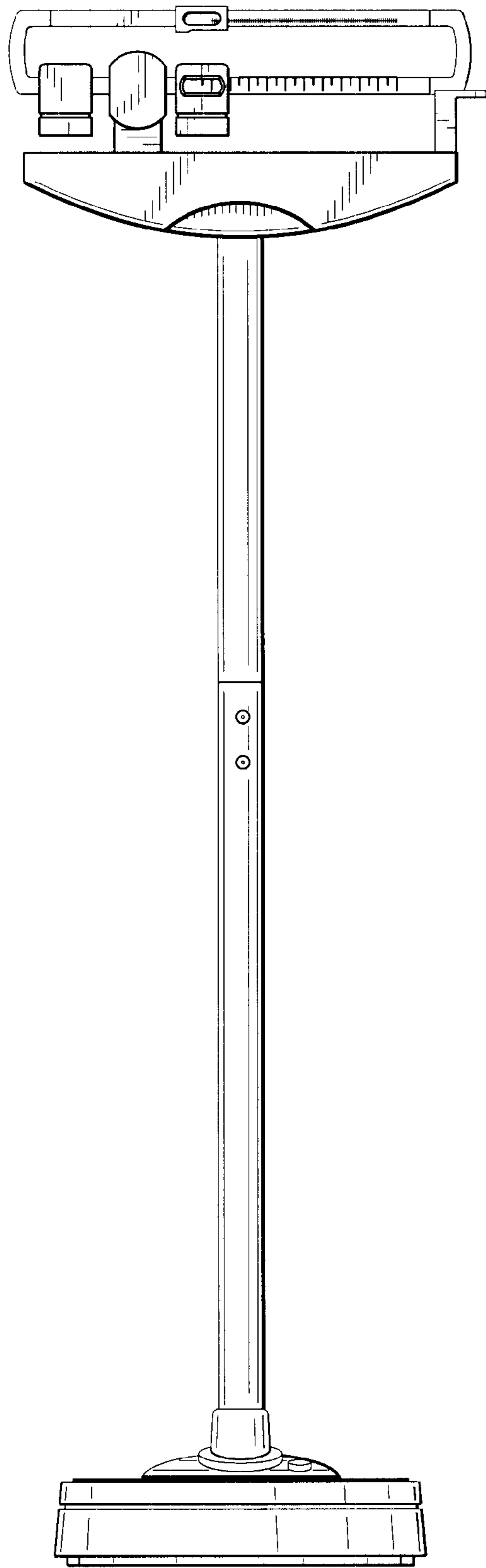


Fig. 2

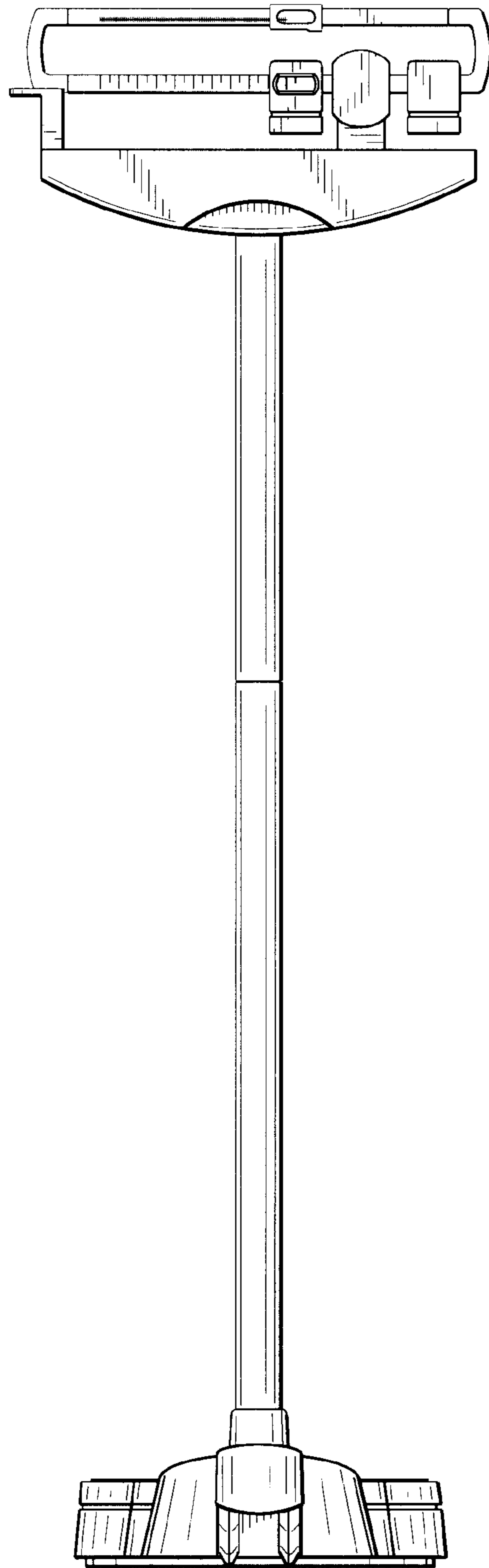


Fig. 3

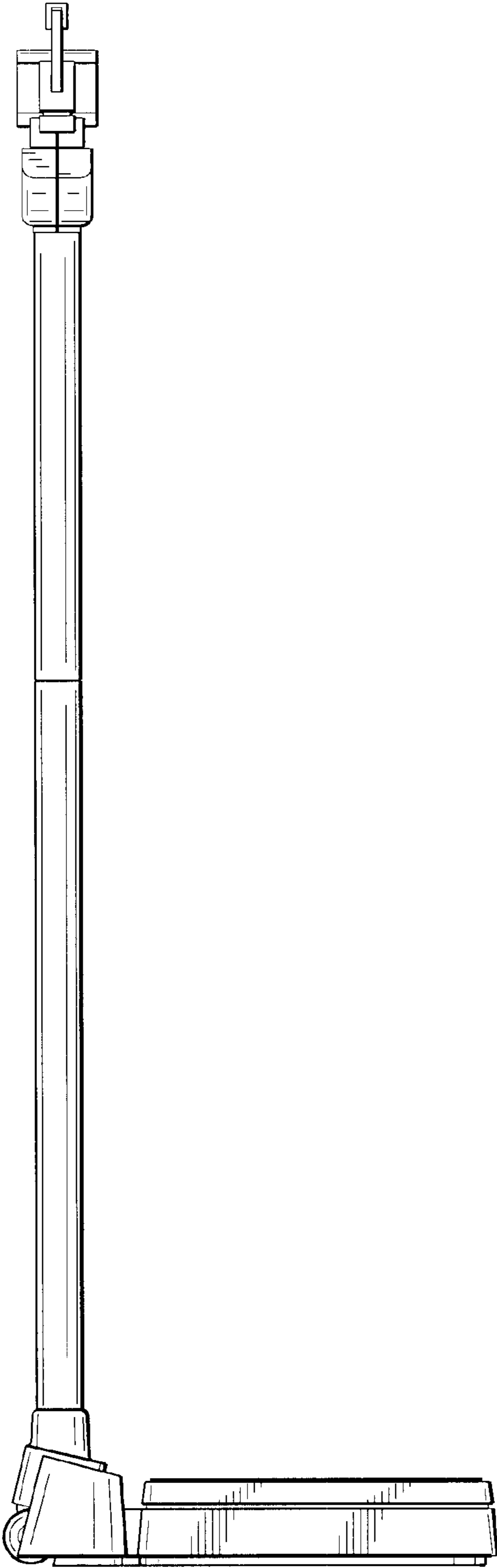


Fig. 4

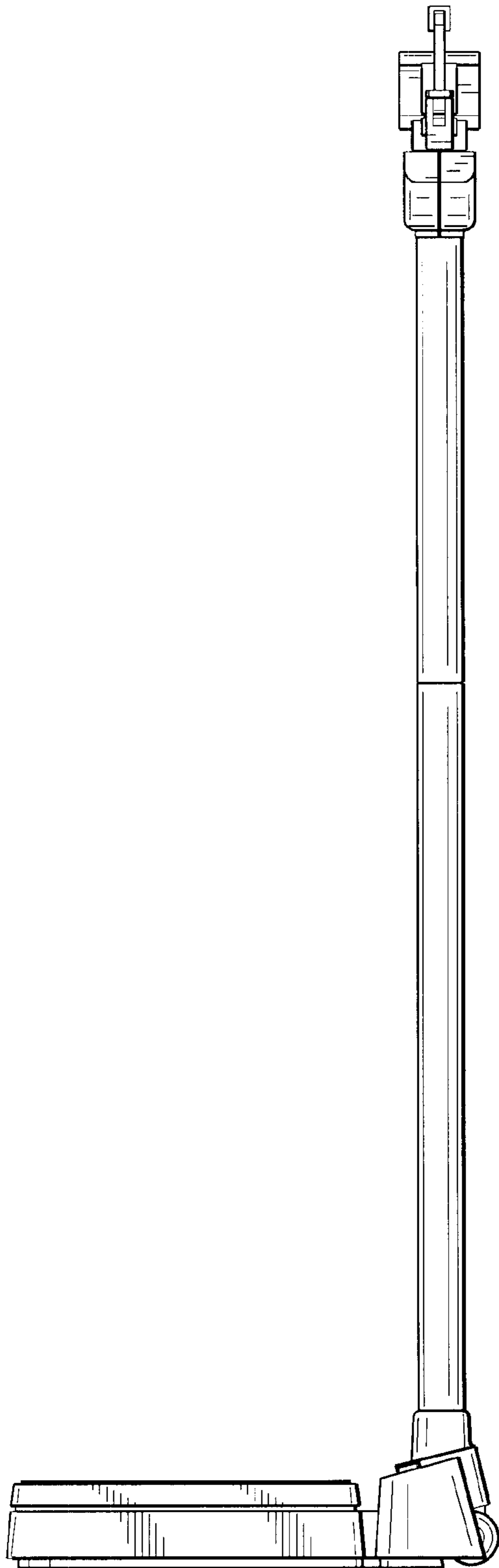


Fig. 5

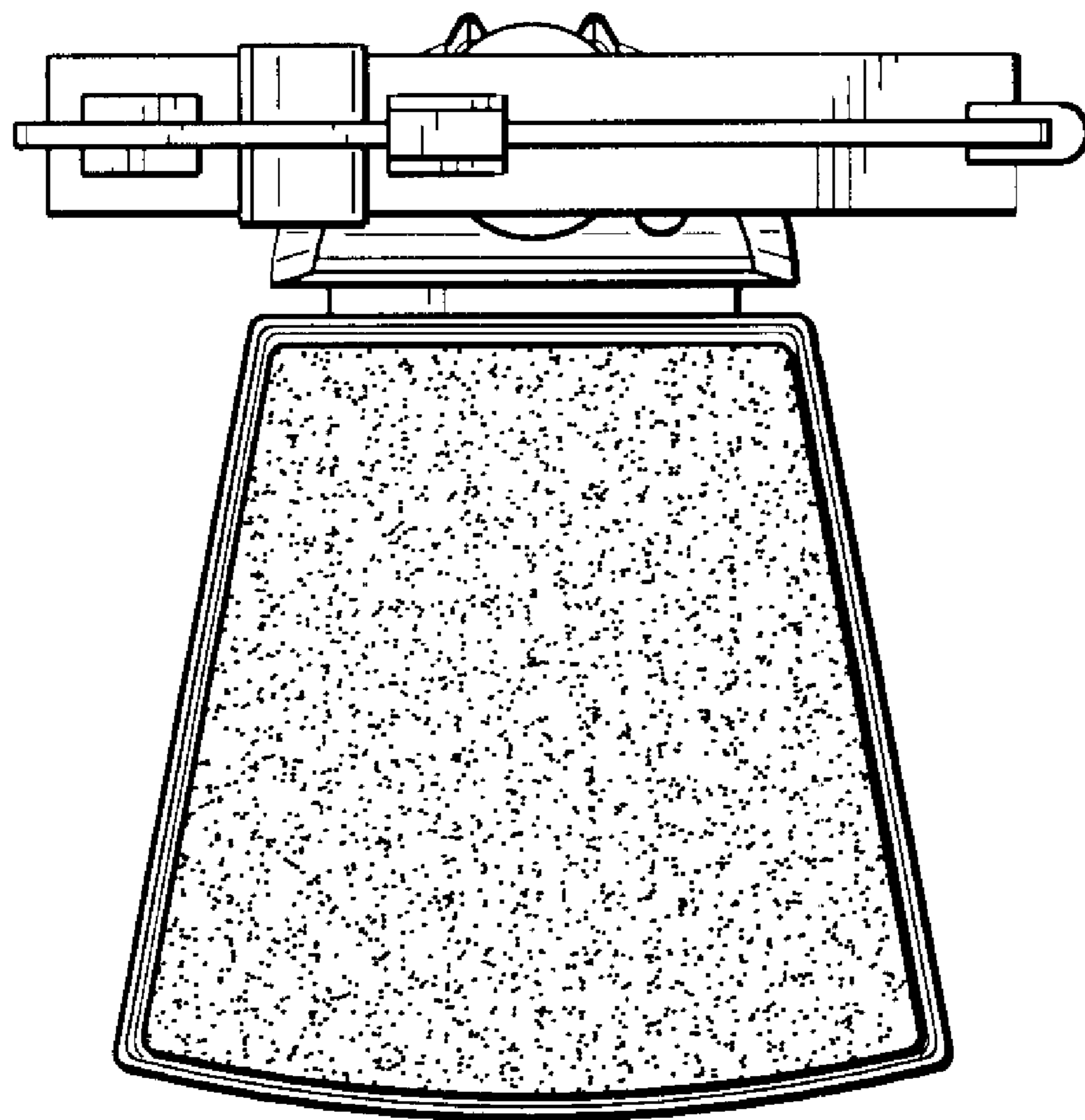


Fig. 6