



US00D511978S

(12) **United States Design Patent** (10) **Patent No.:** **US D511,978 S**
Wilson (45) **Date of Patent:** **** *Nov. 29, 2005**

(54) **PORTION OF A WATCH**
(75) Inventor: **Scott H. Wilson**, Portland, OR (US)
(73) Assignee: **NIKE, Inc.**, Beaverton, OR (US)
(*) Notice: This patent is subject to a terminal disclaimer.
(**) Term: **14 Years**
(21) Appl. No.: **29/204,617**
(22) Filed: **May 3, 2004**

D355,371 S 2/1995 Strasser
D360,592 S 7/1995 Wermekes
D361,724 S 8/1995 Nanayakkara
D364,353 S 11/1995 Staib
D373,087 S * 8/1996 Goulet Maubouissin D10/30
D394,394 S 5/1998 Bruce et al.
D404,654 S 1/1999 Kume et al.
D413,070 S 8/1999 Charriol
D429,168 S 8/2000 Jannard et al.
D433,342 S * 11/2000 Fox D10/30
D434,678 S 12/2000 Raetz
D436,046 S 1/2001 Giardiello
D439,528 S 3/2001 Eliav

(51) **LOC (8) Cl.** **10-02**
(52) **U.S. Cl.** **D10/32; D10/30**
(58) **Field of Search** D10/1-39, 122-132;
368/276-277, 281-282, 285, 293-295;
D11/3-25; 63/1.1, 3, 5, 11; 224/164, 168,
178

(Continued)

OTHER PUBLICATIONS

Sunglass Hut, Watch Station, Nike Presto, (www.sunglasshut.com), 1 sheet, date unknown but prior to Jun. 7, 2004.
Sunglass Hut, Watch Station, Nike Presto, (www.sunglasshut.com), 1 sheet, date unknown but prior to Jun. 7, 2004.
Sunglass Hut, Watch Station, Nike Presto, (www.sunglasshut.com). 1 sheet, date unknown but prior to Jun. 7, 2004.

(56) **References Cited**

U.S. PATENT DOCUMENTS

D77,638 S 2/1929 Conant
1,752,128 A 3/1930 Vetter
D103,455 S 3/1937 Katz
2,472,351 A 6/1949 Tyler
2,584,270 A 2/1952 Hucknall
2,692,070 A 10/1954 Kammer
2,952,967 A 9/1960 Nusslé
3,545,198 A 12/1970 Loftus
3,968,643 A 7/1976 Curtil
D244,671 S 6/1977 Cozza
D245,766 S 9/1977 Cruse
4,060,185 A 11/1977 Kuroda
D250,881 S 1/1979 Liautaud
D253,636 S 12/1979 Sulek
D279,552 S 7/1985 Maglioli
4,916,679 A 4/1990 Agnello
4,958,279 A 9/1990 Proellocks
D316,228 S * 4/1991 Frommherz D10/30
5,086,418 A 2/1992 Marcus
5,228,012 A 7/1993 Seager
D352,007 S 11/1994 Boucheron
D355,132 S 2/1995 Williams

Primary Examiner—Nelson C. Holtje
(74) *Attorney, Agent, or Firm*—Banner & Witcoff, Ltd.

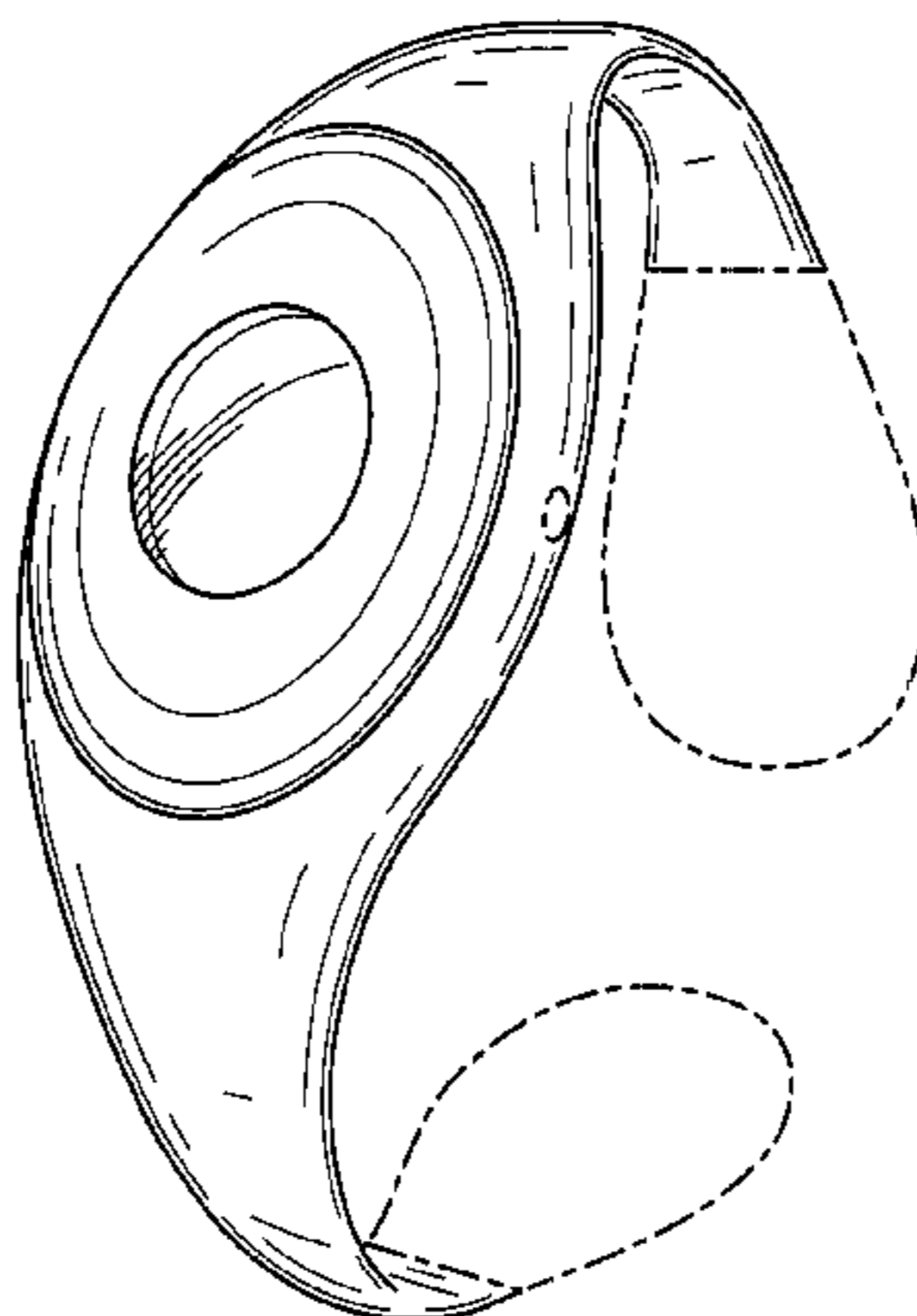
(57) **CLAIM**

The ornamental design for a portion of a watch, as shown and described.

DESCRIPTION

FIG. 1 is a perspective view of a portion of a watch showing my new design;
FIG. 2 is a front view thereof;
FIG. 3 is a top view thereof,
FIG. 4 is a bottom view thereof;
FIG. 5 is a right side view thereof,
FIG. 6 is a left side view thereof; and,
FIG. 7 is a rear elevation thereof.
The broken line showing of various regions of the watch is for illustrative purposes only and forms no part of the claimed design.

1 Claim, 4 Drawing Sheets



US D511,978 S

Page 2

U.S. PATENT DOCUMENTS

D445,041 S	7/2001	Tan et al.		D463,987 S	10/2002	Wilson	
D449,999 S	* 11/2001	Ng	D10/32	D466,488 S	12/2002	Wada et al.	
D451,819 S	12/2001	Streltsov		D468,648 S	1/2003	Starck	
D452,174 S	12/2001	Giardiello		D473,798 S	4/2003	Fu et al.	
D455,969 S	4/2002	Wilson		D474,981 S	5/2003	Wilson	
D456,283 S	4/2002	Baumann		D474,982 S	5/2003	Wilson	
D456,284 S	4/2002	Wilson		D474,984 S	5/2003	Wilson	
D456,724 S	5/2002	Wilson		D480,653 S	* 10/2003	Lo	D10/32
D457,814 S	5/2002	Bodino		2001/0043513 A1	11/2001	Grupp	
D462,624 S	9/2002	Sun		2003/0174589 A1	9/2003	Kawamata et al.	

* cited by examiner

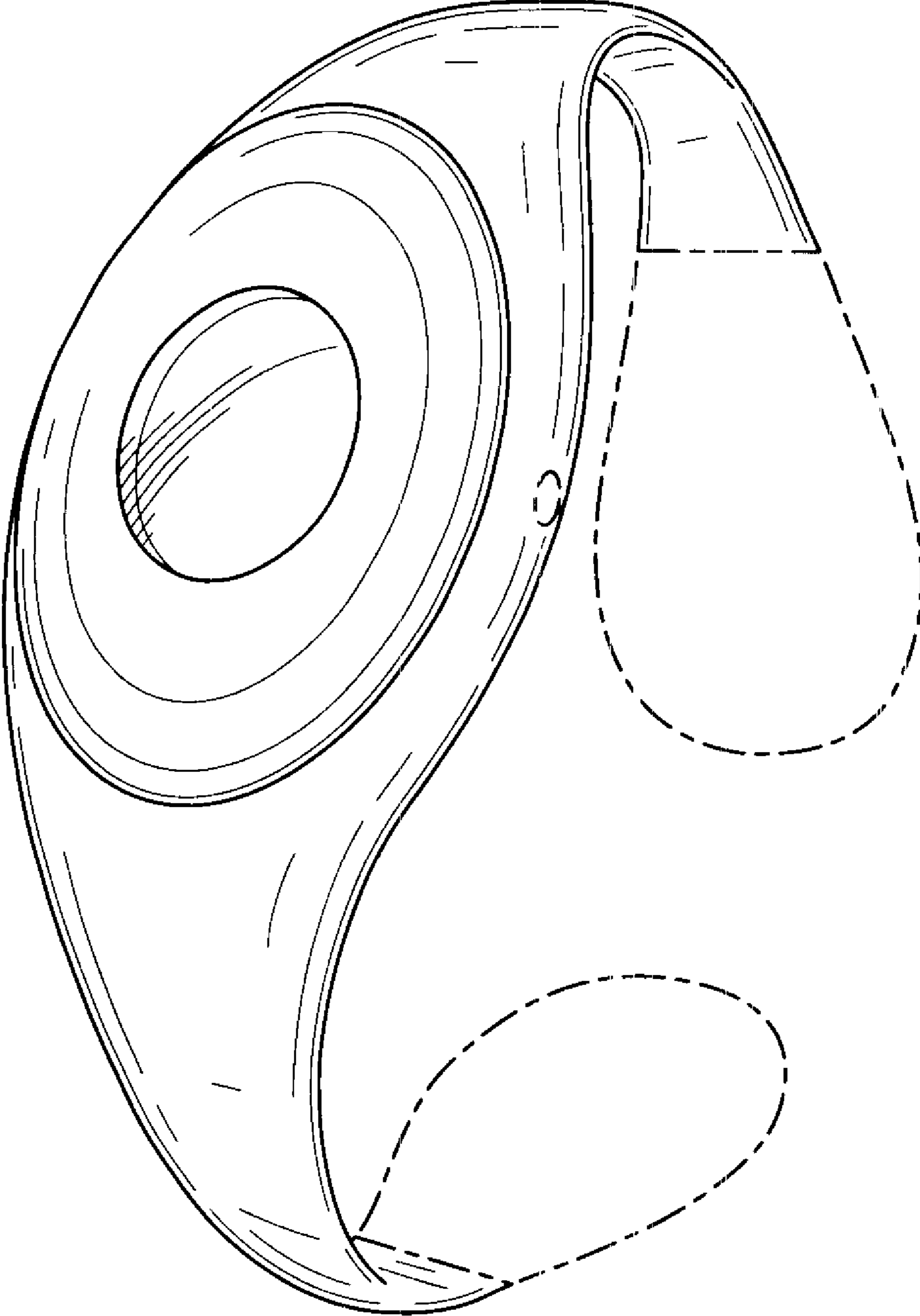


FIG. 1

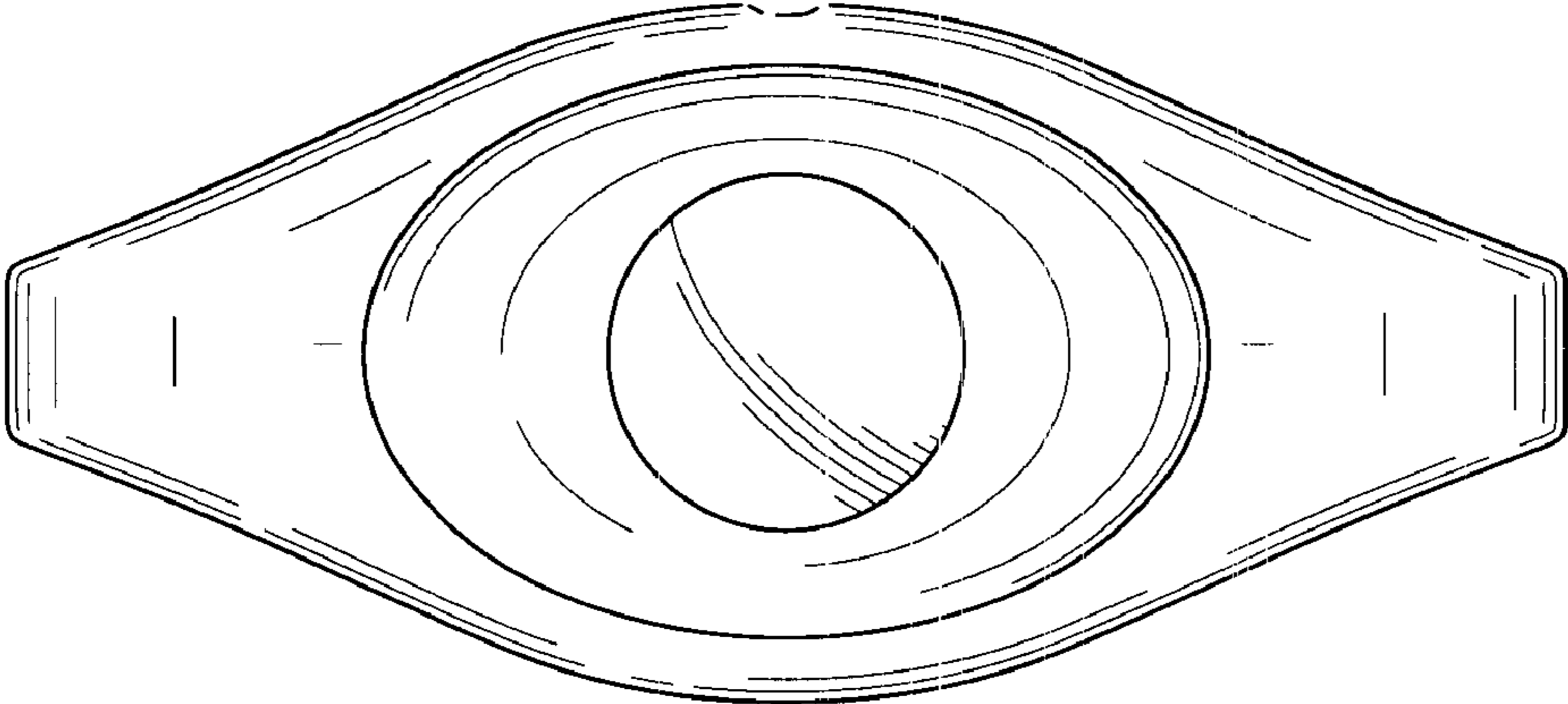


FIG. 2

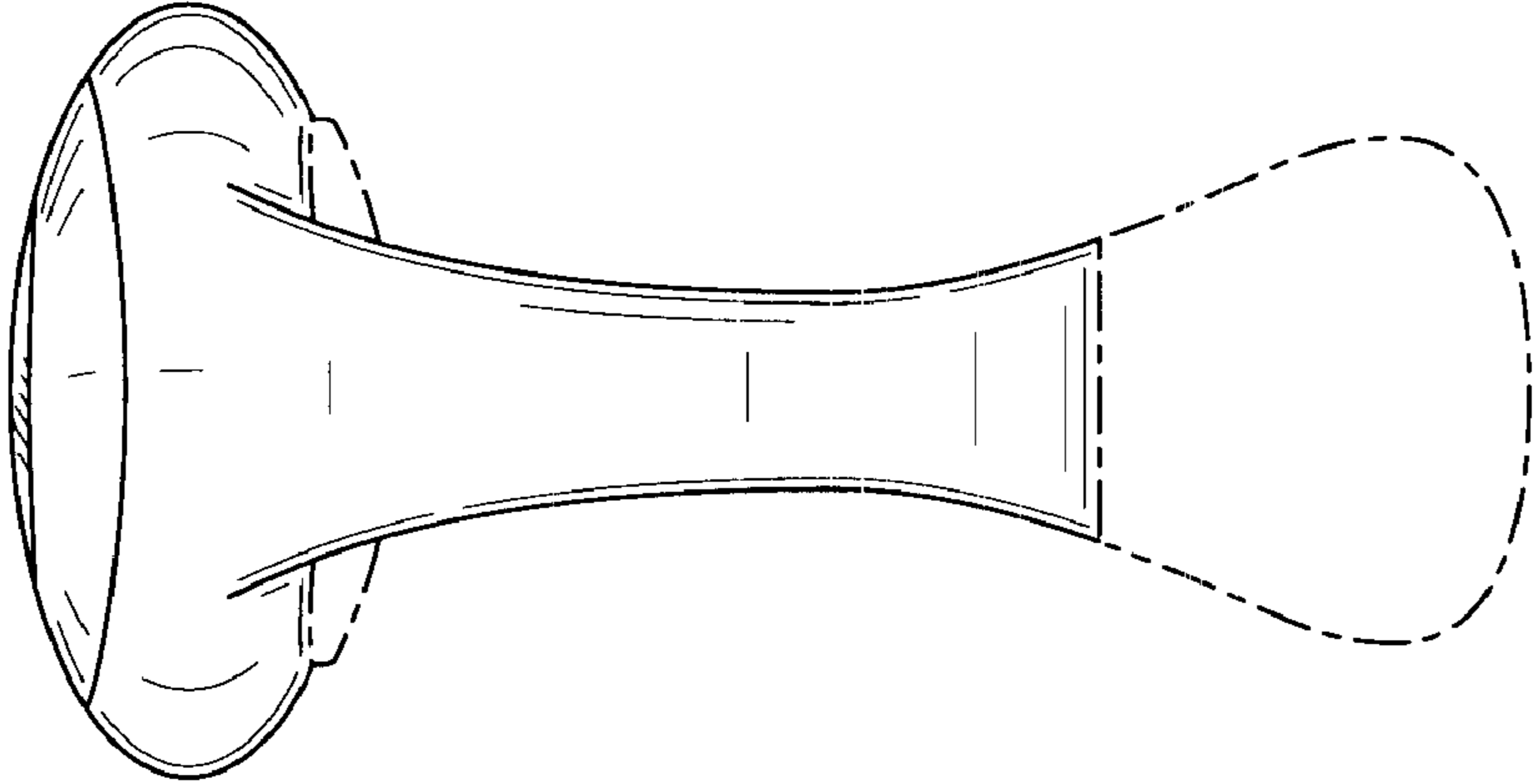


FIG. 3

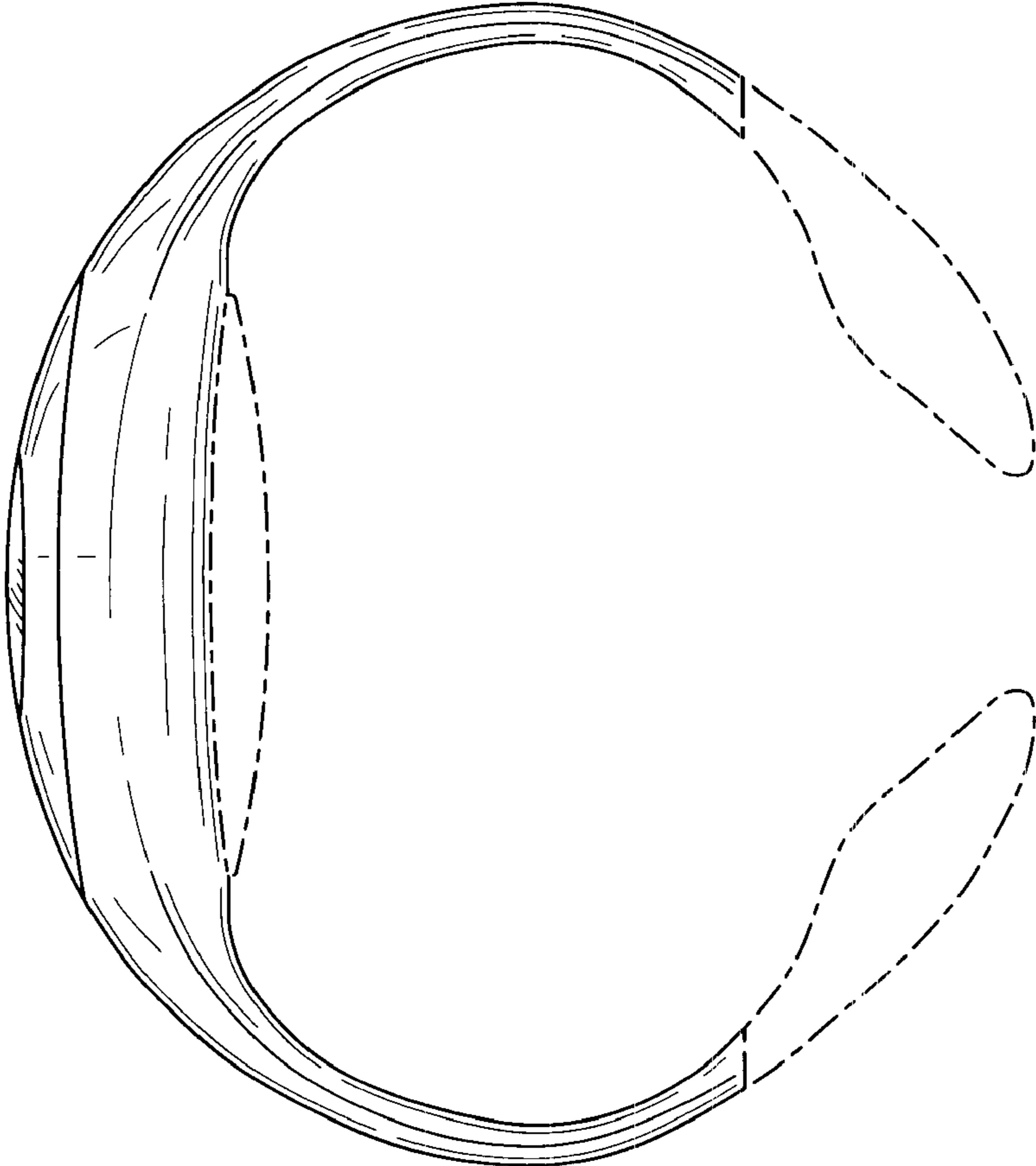


FIG. 4

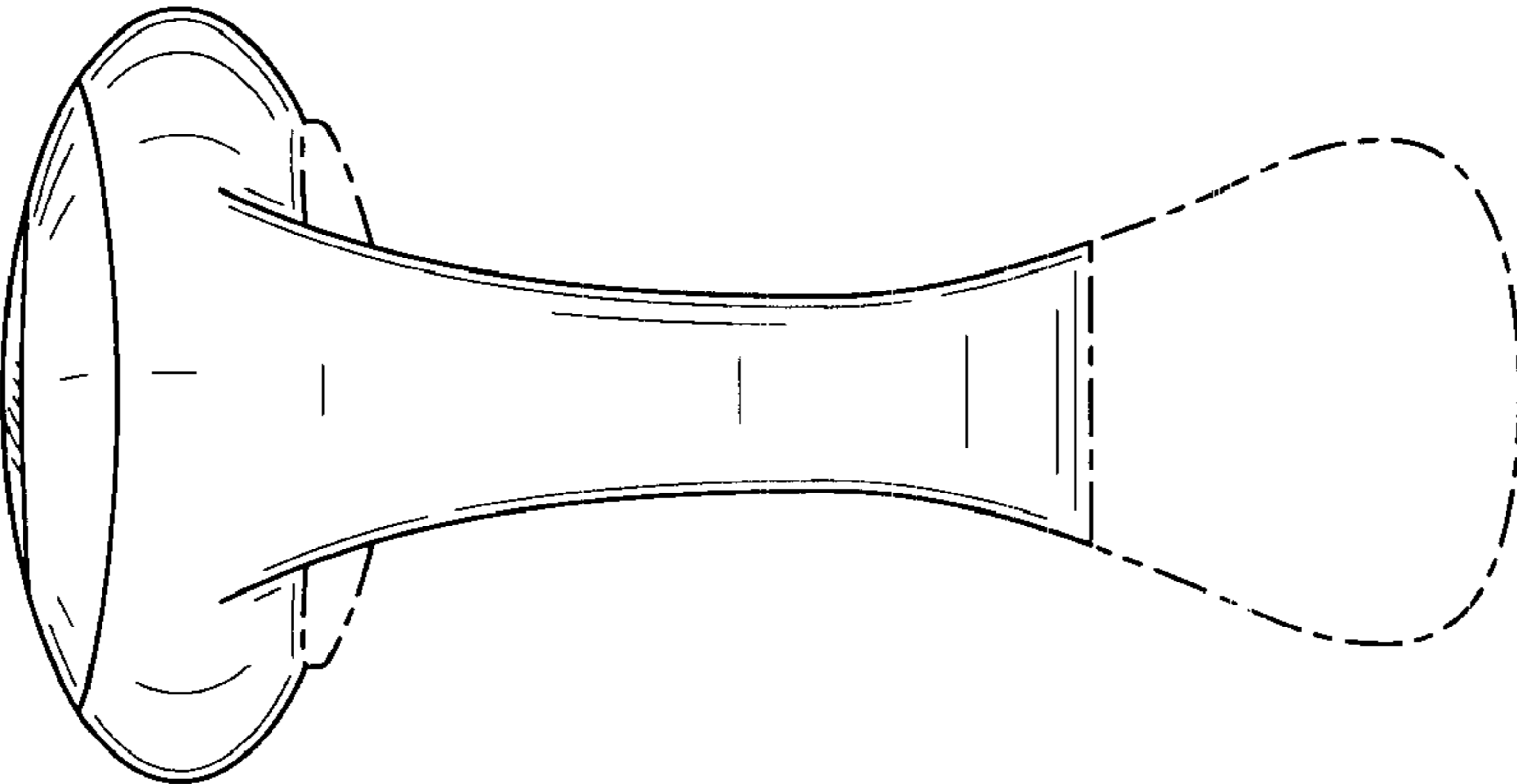


FIG. 5

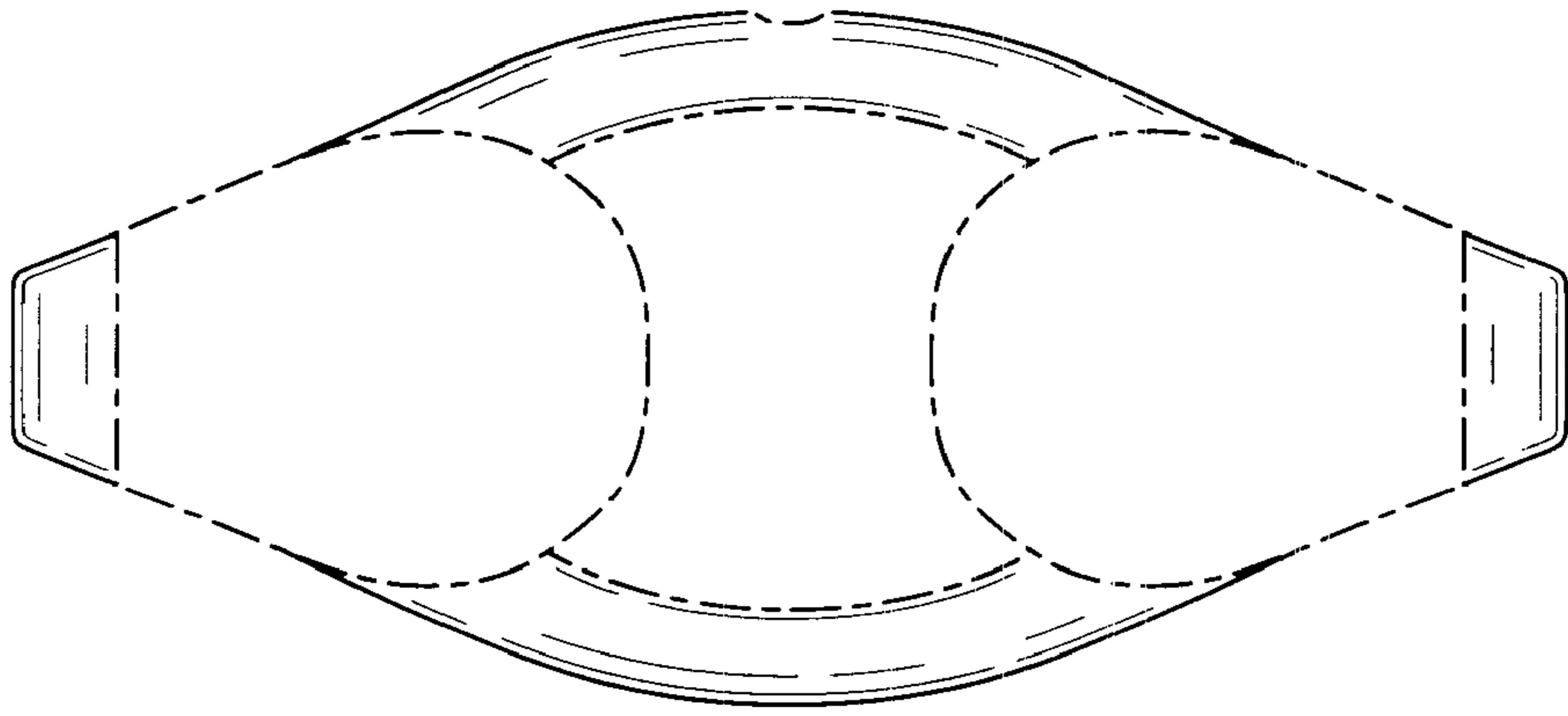


FIG. 7

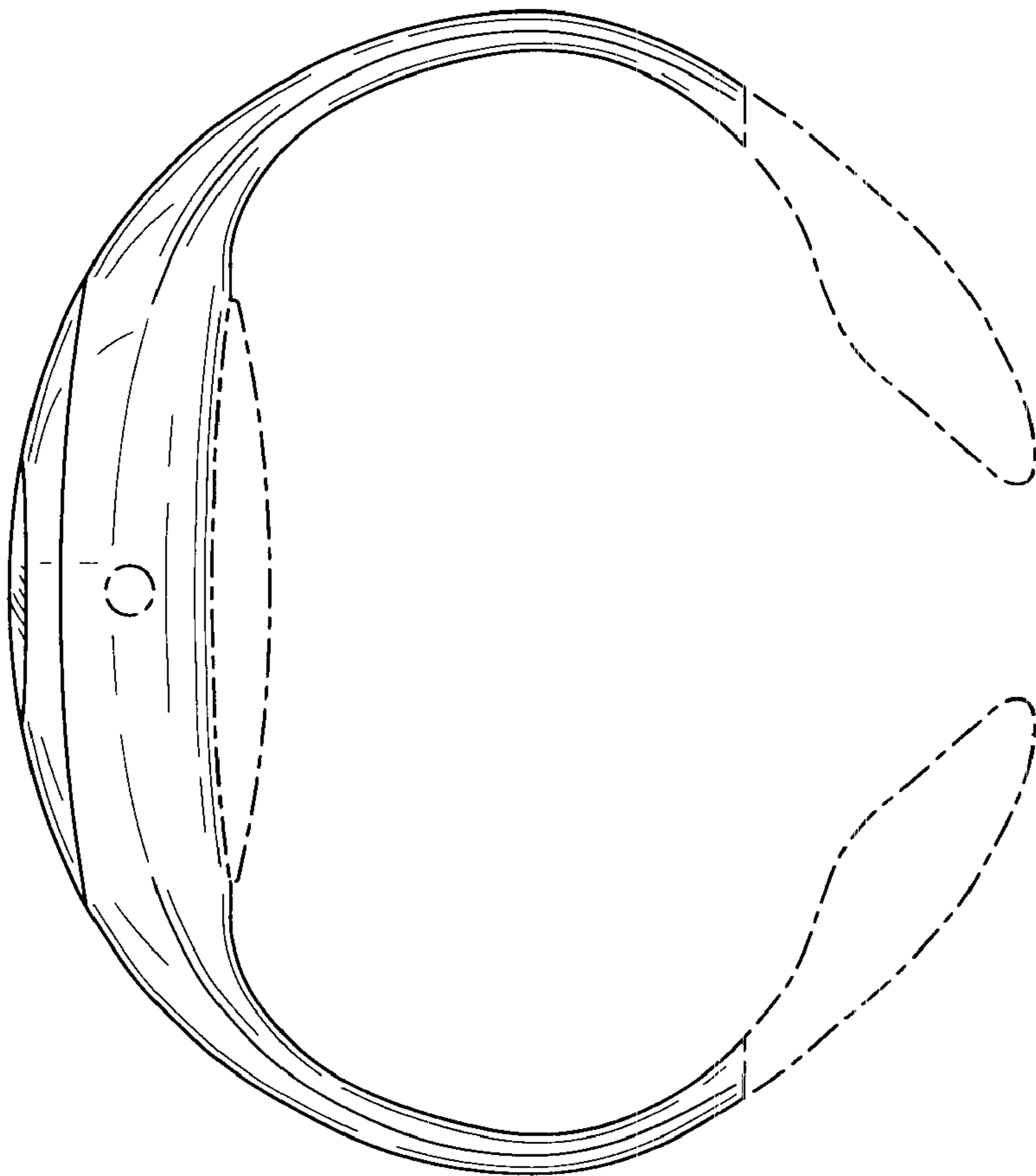


FIG. 6

UNITED STATES PATENT AND TRADEMARK OFFICE
CERTIFICATE OF CORRECTION

PATENT NO. : Des. 511,978 S
APPLICATION NO. : 29/204617
DATED : November 29, 2005
INVENTOR(S) : Scott H. Wilson

Page 1 of 1

It is certified that error appears in the above-identified patent and that said Letters Patent is hereby corrected as shown below:

On the second page, in the section entitled U.S. PATENT DOCUMENTS:

--US-D447,426 09-2001 Jannard et al.--,

--US-D501,639 02-2005 Modolo, Dino--,

--US-D503,894 04-2005 Tu, Aurelie C.--,

--US-6,796,708 B2 09-2004 Kawamata et al.-- and

--US-6,857,775 B1 02-2005 Wilson, Scott Harold-- have been added.

On the second page, in the section entitled FOREIGN PATENT DOCUMENTS:

--KR 30-0321005 4-29-2003-- has been added.

Signed and Sealed this

Thirteenth Day of November, 2007

A handwritten signature in black ink on a light gray dotted background. The signature reads "Jon W. Dudas" in a cursive style.

JON W. DUDAS

Director of the United States Patent and Trademark Office