



US00D511975S

(12) **United States Design Patent** (10) **Patent No.:** **US D511,975 S**
Py (45) **Date of Patent:** **** Nov. 29, 2005**

(54) **DISPENSING CONTAINER**

(75) Inventor: **Daniel Py**, Stamford, CT (US)

(73) Assignee: **Medical Instill Technologies, Inc.**,
New Milford, CT (US)

(**) Term: **14 Years**

(21) Appl. No.: **29/214,038**

(22) Filed: **Sep. 27, 2004**

(51) **LOC (8) Cl.** **09-01**

(52) **U.S. Cl.** **D9/682; D9/686; D9/688;**
D9/690

(58) **Field of Search** **D9/447, 452, 454,**
D9/502-504, 523, 529, 549, 558, 682, 686,
688, 690, 692; D28/73, 82; D23/73; D6/542,
544; D24/108, 110.6, 117-118; 222/105,
491, 185.1

(56) **References Cited**

U.S. PATENT DOCUMENTS

1,471,091 A 10/1923 Bessesen
1,735,154 A * 11/1929 Brodrick 206/229
2,128,035 A 8/1938 Boetel

(Continued)

FOREIGN PATENT DOCUMENTS

EP 0802827 B1 12/1998
EP 0649795 B1 6/1999
EP 0673852 B1 2/2000

OTHER PUBLICATIONS

Lord and Taylor catalog advertisement, Mar. 2005, p. 8,
"Shiseido" design container.*

Primary Examiner—Stella Reid

Assistant Examiner—Jean E. McCormick

(74) *Attorney, Agent, or Firm*—McCarter & English, LLP

(57) **CLAIM**

The ornamental design for a dispensing container, as shown
and described.

DESCRIPTION

FIG. 1 is a side elevational view of a first embodiment of a
dispensing container showing our new design;

FIG. 2 is a side elevational view of the dispensing container
of FIG. 1 rotated 180 degrees;

FIG. 3 is a side elevational view of the dispensing container
of FIG. 1 rotated 90 degrees;

FIG. 4 is a side elevational view of the dispensing container
of FIG. 1 rotated 270 degrees;

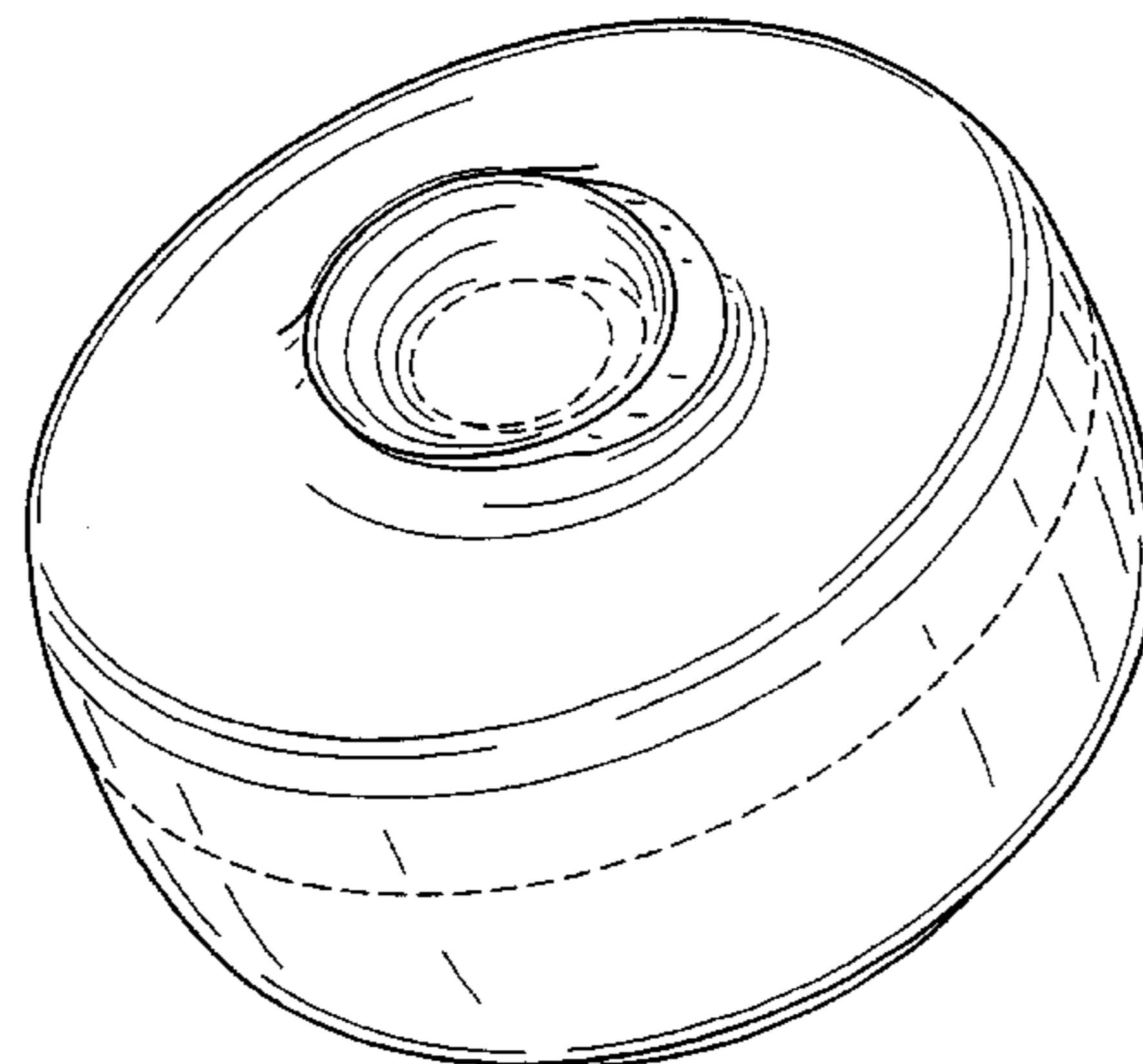
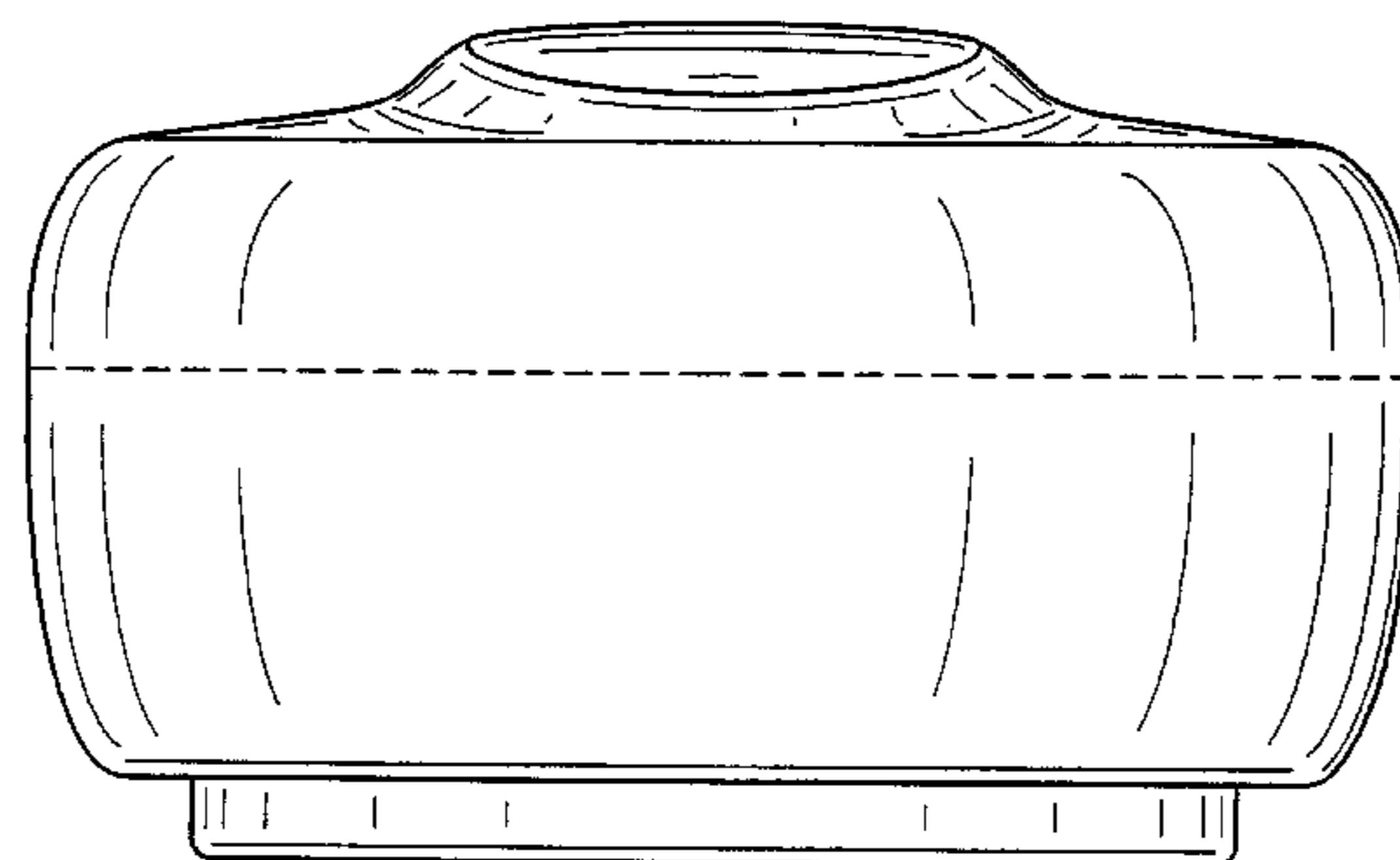
FIG. 5 is a side and top perspective view of the dispensing
container of FIG. 1;

FIG. 6 is a top plan view of the dispensing container of FIG.
1; and,

FIG. 7 is a bottom plan view of the dispensing container of
FIG. 1.

The broken lines in the figures show boundaries of the
invention and form no part of the claimed design.

1 Claim, 7 Drawing Sheets



US D511,975 S

U.S. PATENT DOCUMENTS							
D112,513	S	* 12/1938	Carvalho	D9/454	5,360,145 A	11/1994	Gueret
3,412,910	A	11/1968	Hahn		5,416,303 A	5/1995	Grooms et al.
D216,552	S	* 2/1970	Curry	D7/629	5,419,465 A	5/1995	Schroeder
3,648,903	A	3/1972	Marchant		5,425,465 A	6/1995	Healy
3,662,753	A	5/1972	Tassell		5,429,254 A	7/1995	Christine
3,669,323	A	6/1972	Harker et al.		5,489,026 A	2/1996	D'Aloia
3,699,961	A	10/1972	Szpur		5,489,027 A	2/1996	Goerigk
3,756,729	A	9/1973	Tufts		RE35,187 E	3/1996	Gortz
3,993,069	A	11/1976	Buckles et al.		5,497,910 A	3/1996	Meadows et al.
4,002,516	A	1/1977	Gaborieau et al.		5,545,147 A	8/1996	Harris
4,023,607	A	5/1977	Jensen et al.		5,556,678 A	9/1996	Jupin et al.
4,050,459	A	9/1977	Sanchez		5,562,960 A	10/1996	Sugiura et al.
4,102,476	A	7/1978	Loeffler		5,564,596 A	10/1996	Meadows et al.
4,141,474	A	2/1979	Nilson		5,565,160 A	10/1996	Makuuchi et al.
4,185,628	A	1/1980	Kopfer		5,582,330 A	12/1996	Iba
4,189,065	A	2/1980	Herold		5,582,598 A	12/1996	Chanoch
4,233,262	A	11/1980	Curto		5,591,136 A	1/1997	Gabriel
4,239,132	A	12/1980	Mueller et al.		5,609,273 A	3/1997	Firestone et al.
4,240,465	A	12/1980	Rader		5,615,795 A	4/1997	Tipps
4,264,018	A	4/1981	Warren		5,630,800 A	5/1997	Blank et al.
4,367,739	A	1/1983	LeVeen et al.		5,636,930 A	6/1997	Holloway
4,420,100	A	12/1983	Mueller		5,641,004 A	6/1997	Py
4,458,830	A	7/1984	Werding		5,664,704 A	9/1997	Meadows et al.
4,475,905	A	10/1984	Himmelstrup		5,676,267 A	10/1997	Slat et al.
4,479,578	A	10/1984	Brignola et al.		5,687,882 A	11/1997	Mueller
4,479,989	A	10/1984	Mahal		5,692,651 A	12/1997	Fuchs
4,482,585	A	11/1984	Ohodaira et al.		5,702,019 A	12/1997	Grimard
4,493,348	A	1/1985	Lemmons		5,718,334 A	2/1998	Demel
4,501,781	A	2/1985	Kushida et al.		5,727,892 A	3/1998	Baudin
4,513,891	A	4/1985	Hain et al.		5,728,075 A	3/1998	Levander
4,526,294	A	7/1985	Hirschmann et al.		5,730,322 A	3/1998	Iba et al.
D282,630	S	* 2/1986	Braun	D9/504	5,743,441 A	4/1998	Baudin et al.
4,579,757	A	4/1986	Su et al.		5,743,889 A	4/1998	Sams
4,624,594	A	11/1986	Sasaki et al.		5,772,347 A	6/1998	Gueret
4,636,412	A	1/1987	Field		5,780,130 A	7/1998	Hansen et al.
4,643,723	A	2/1987	Smit		5,785,683 A	7/1998	Szapiro et al.
4,699,300	A	10/1987	Blake		5,799,837 A	9/1998	Firestone et al.
4,700,838	A	10/1987	Falciani et al.		5,803,311 A	9/1998	Fuchs
4,737,148	A	4/1988	Blake		5,804,236 A	9/1998	Frisk
4,739,906	A	4/1988	LoTurco		5,823,397 A	10/1998	Gil
4,776,717	A	10/1988	Iizuka et al.		5,829,901 A	11/1998	Brown et al.
4,784,652	A	11/1988	Wikström		D403,586 S	* 1/1999	Bakic
4,842,165	A	6/1989	Van Coney		5,855,302 A	1/1999	Fisscher
4,854,481	A	8/1989	Bohl et al.		D405,003 S	* 2/1999	Dapsanse
4,854,486	A	8/1989	Daley et al.		5,876,372 A	3/1999	Grabenkort et al.
4,865,591	A	9/1989	Sams		5,879,095 A	3/1999	Gueret
4,895,279	A	1/1990	Schultz		5,879,336 A	3/1999	Brinon
4,903,741	A	2/1990	Ibanez		5,899,624 A	5/1999	Thompson
4,910,147	A	3/1990	Bacehowski et al.		5,931,386 A	8/1999	Jouillat
4,936,833	A	6/1990	Sams		5,934,500 A	8/1999	Cogger et al.
4,949,877	A	8/1990	Hanna et al.		RE36,410 E	11/1999	Meshberg
4,962,868	A	10/1990	Borchard		6,004,298 A	12/1999	Levander
4,973,318	A	11/1990	Holm et al.		6,050,444 A	4/2000	Sugg
4,978,036	A	12/1990	Burd		6,053,370 A	4/2000	Ludbrook et al.
5,033,647	A	7/1991	Smith et al.		D424,943 S	* 5/2000	Kokenge et al.
5,083,416	A	1/1992	Schneider et al.		6,062,430 A	5/2000	Fuchs
5,102,705	A	4/1992	Yammoto et al.		6,062,437 A	5/2000	Mascitelli
5,108,007	A	4/1992	Smith et al.		6,083,201 A	7/2000	Skinkle
5,178,300	A	1/1993	Haviv et al.		6,083,450 A	7/2000	Safian
5,197,638	A	3/1993	Wood		6,145,707 A	11/2000	Baudin
5,226,568	A	7/1993	Newton et al.		6,170,705 B1	1/2001	Schneider et al.
5,226,895	A	7/1993	Harris		6,186,686 B1	2/2001	Neuner et al.
5,238,153	A	8/1993	Castillo et al.		6,200,047 B1	3/2001	Holloway
5,244,465	A	9/1993	Michel		6,202,901 B1	3/2001	Gerber et al.
5,253,785	A	10/1993	Haber et al.		6,234,363 B1	5/2001	Stradella
5,290,260	A	3/1994	Stines		6,254,579 B1	7/2001	Cogger et al.
5,318,204	A	6/1994	Davis et al.		6,325,253 B1	12/2001	Robinson
5,320,256	A	6/1994	Wood		6,338,442 B1	1/2002	De Laforcade
5,332,121	A	7/1994	Schmidt et al.		6,343,713 B1	2/2002	Abplanalp
5,339,972	A	8/1994	Crosnier et al.		6,351,924 B1	3/2002	Gustafsson et al.
					6,357,945 B1	3/2002	Losier et al.

US D511,975 S

Page 3

6,371,129 B1	4/2002	Le Bras-Brown et al.	6,533,482 B1	3/2003	Byun
6,383,167 B2	5/2002	Kirchhofer et al.	D479,366 S *	9/2003	Goswell D28/82
6,386,395 B1	5/2002	Lunghetti	D480,000 S *	9/2003	Hirato D9/504
6,419,412 B1	7/2002	Ostrowski et al.	2001/0009990 A1	7/2001	Hostettler et al.
6,446,844 B1	9/2002	Gross	2002/0071708 A1	6/2002	Fontanet et al.
6,450,994 B1	9/2002	Boyles et al.			
6,502,725 B1	1/2003	Alexander			

* cited by examiner

FIG. 1

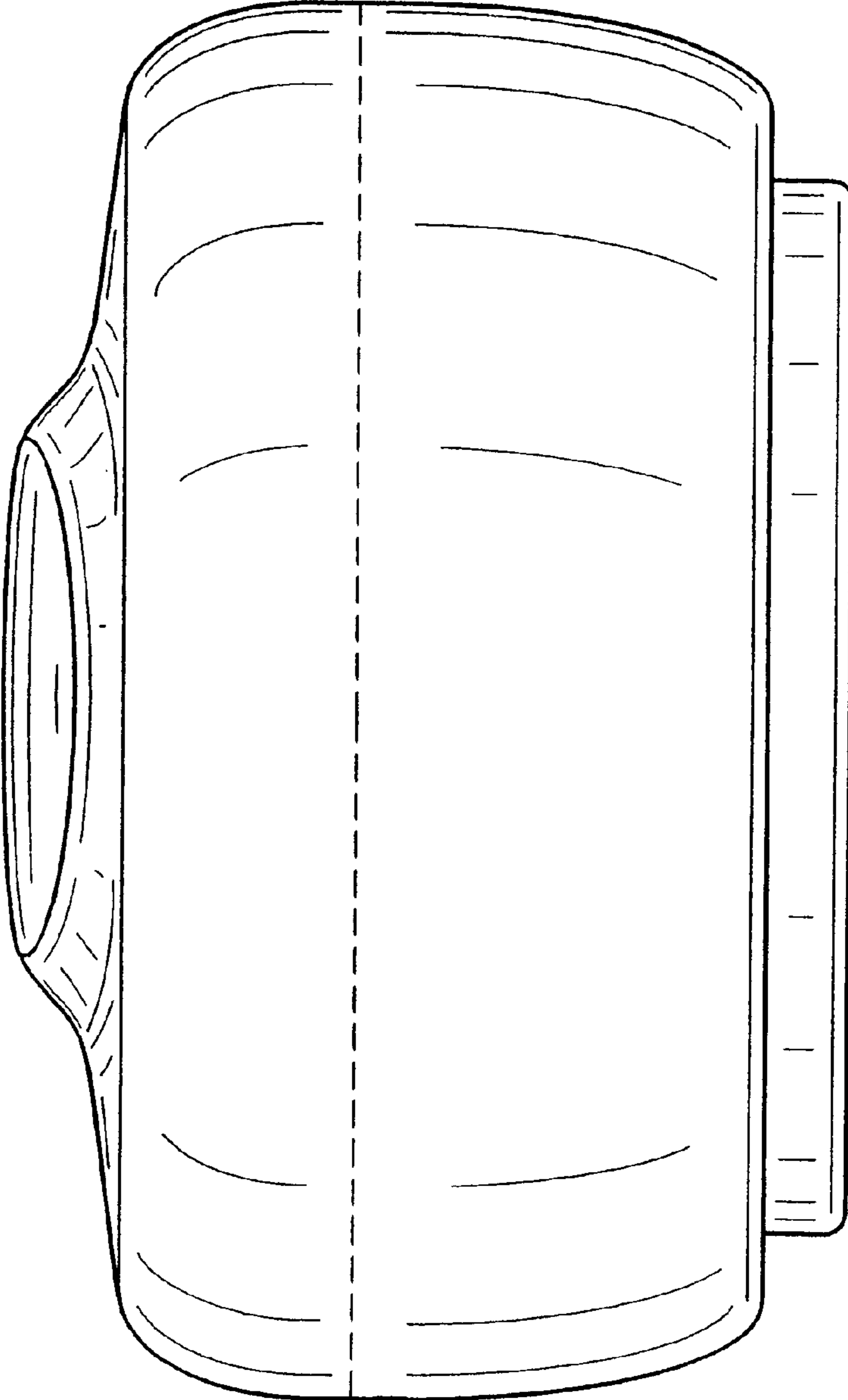


FIG. 2

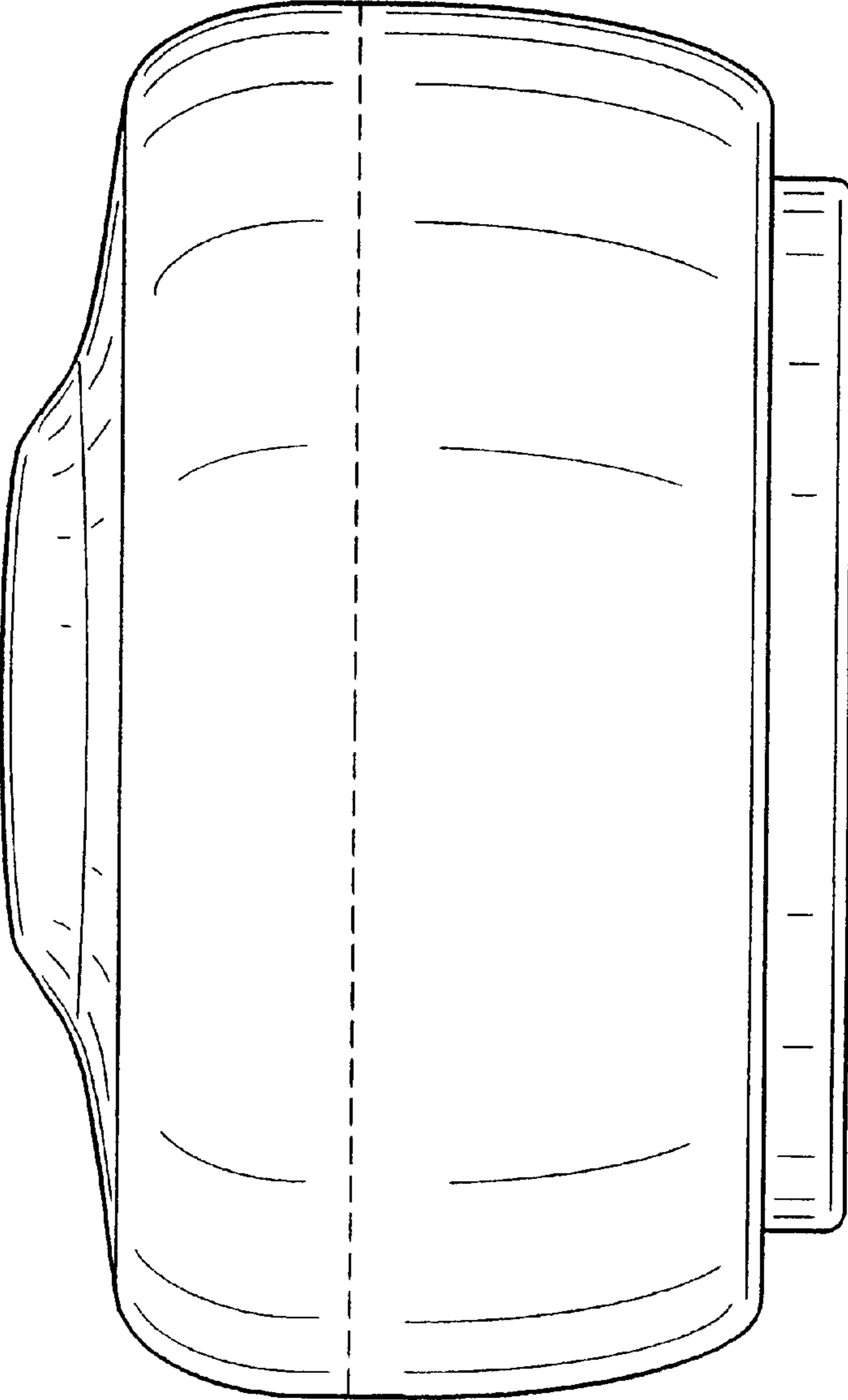


FIG. 3

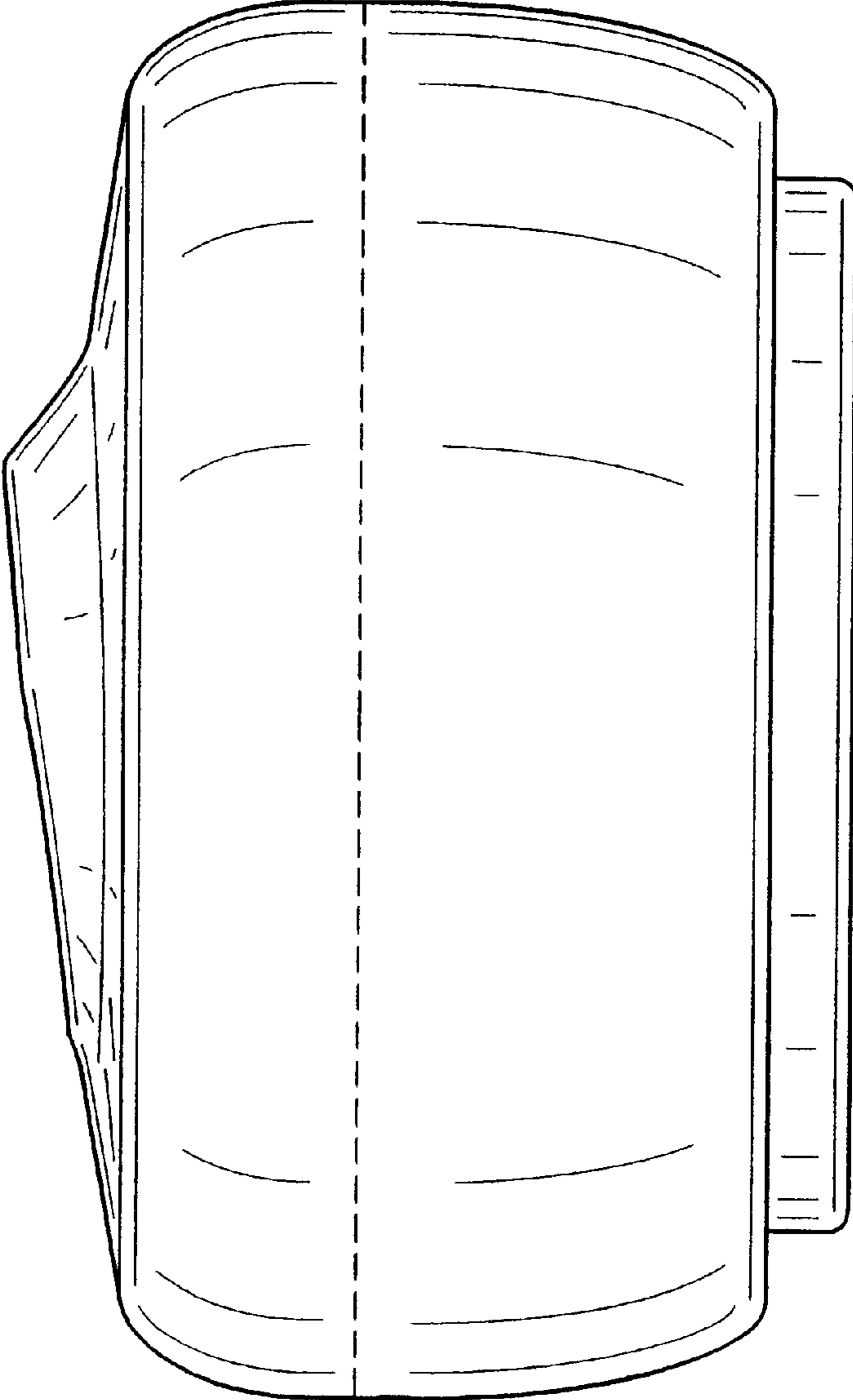


FIG. 4

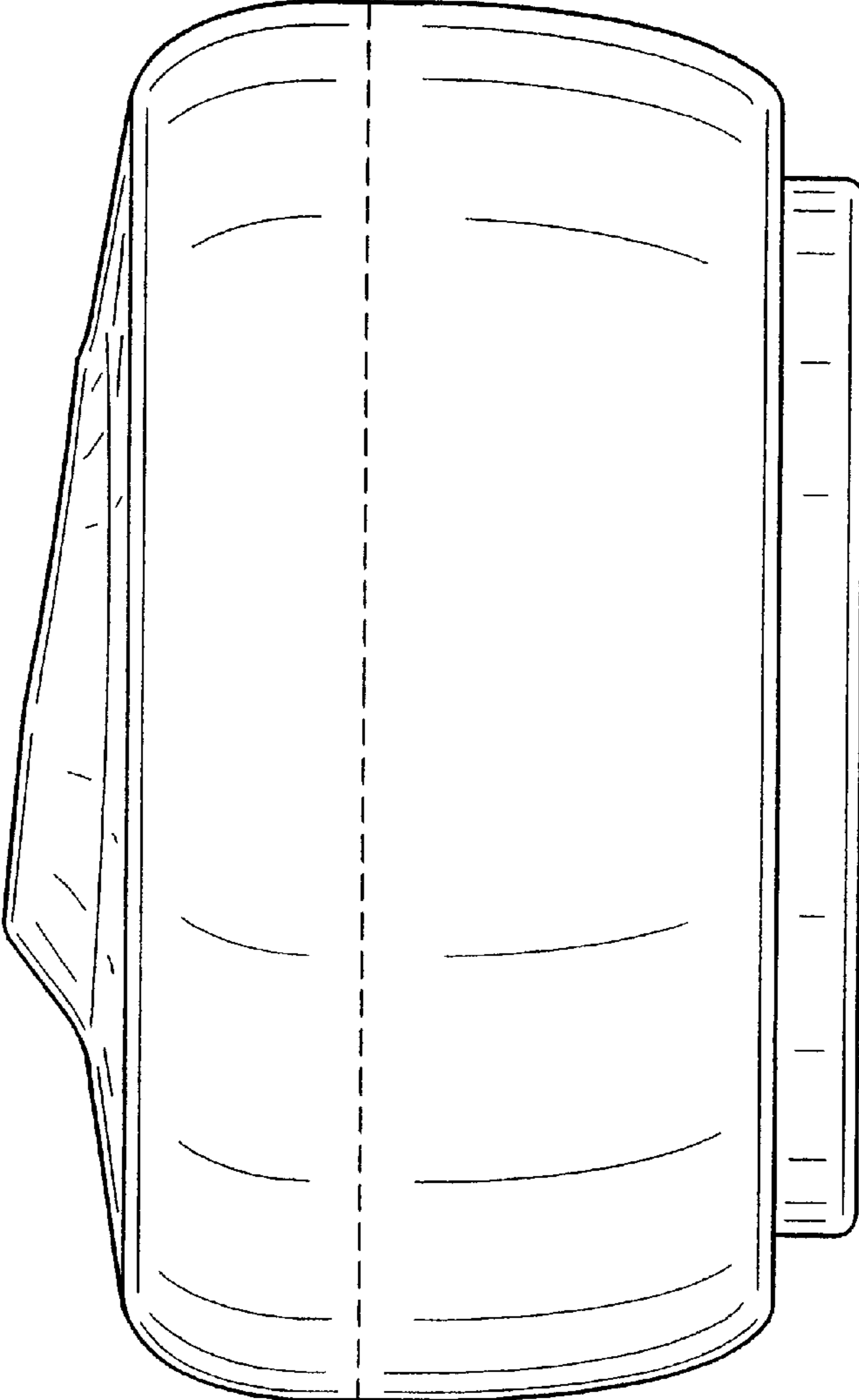


FIG. 5

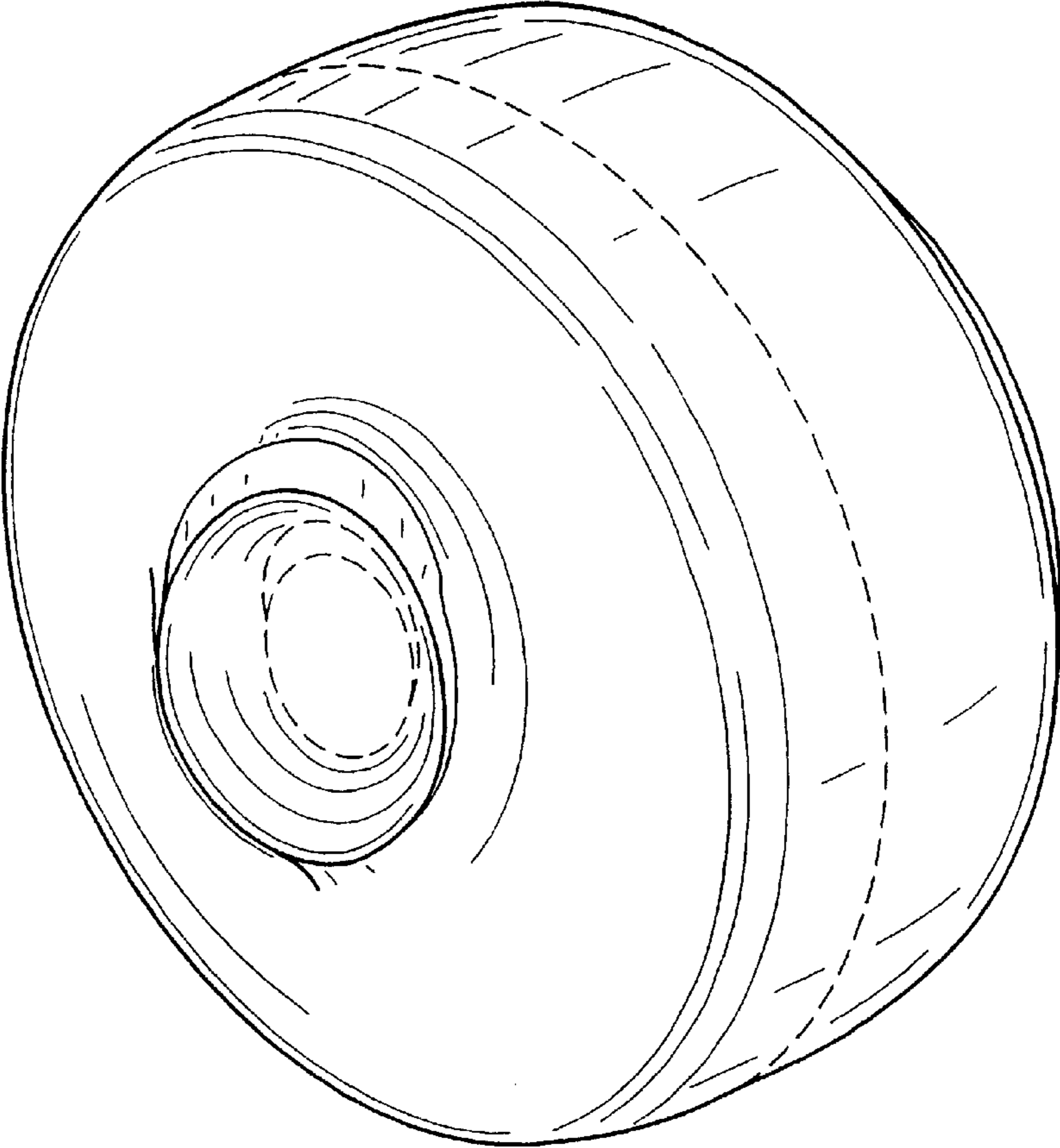


FIG. 6

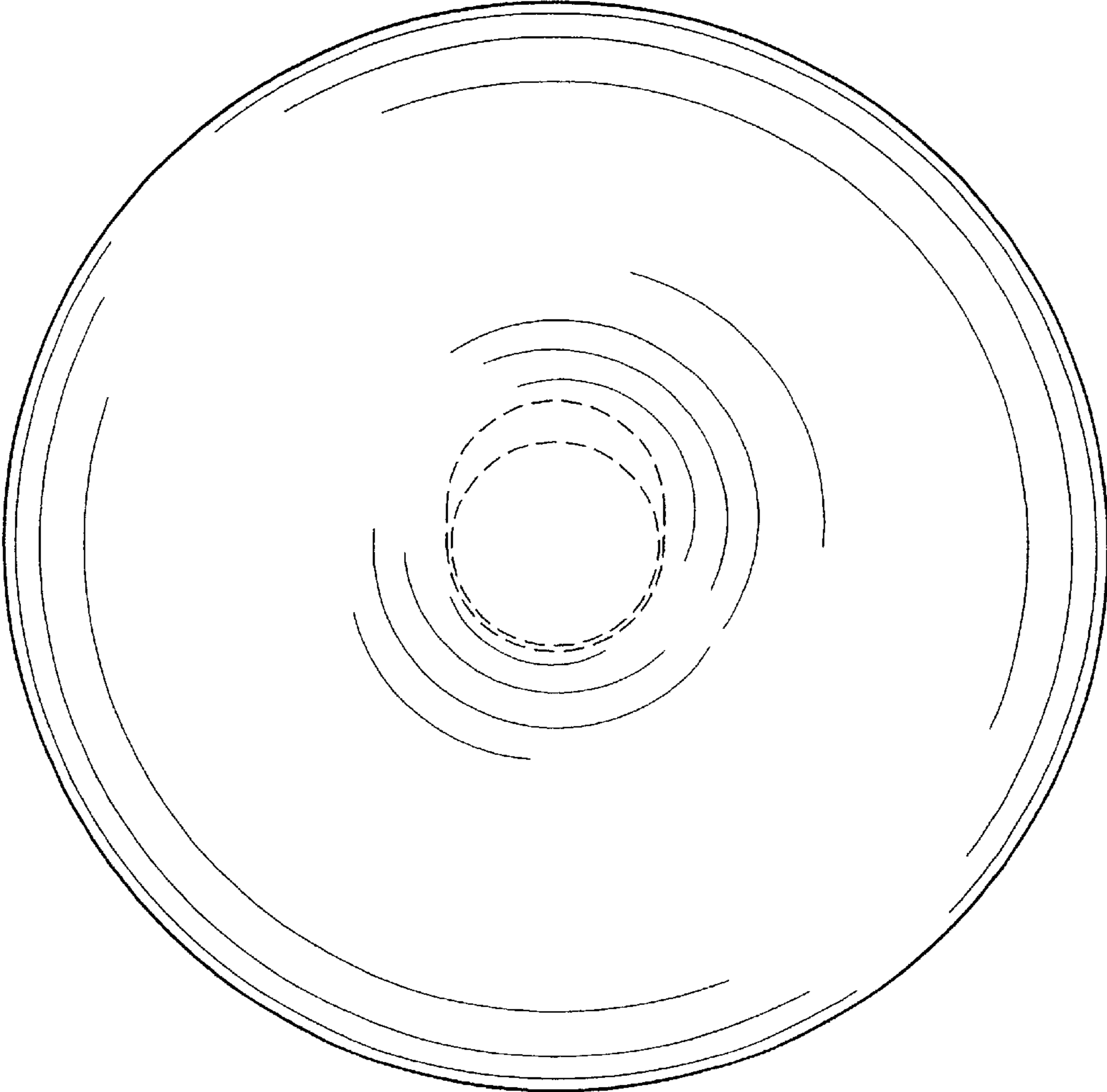


FIG. 7

