



US00D511965S

(12) **United States Design Patent** (10) **Patent No.:** **US D511,965 S**
Luc (45) **Date of Patent:** **** Nov. 29, 2005**

(54) **CONTAINER**
(75) **Inventor:** **Michel Luc**, Chatenay Malabry (FR)
(73) **Assignee:** **ERCA Foamseal**, Courtaboeuf (FR)
(**) **Term:** **14 Years**

D351,790 S * 10/1994 Haindl D9/425
5,634,569 A * 6/1997 DeCoster 220/735
5,782,376 A * 7/1998 Brauner et al. 220/669
5,850,935 A * 12/1998 Luburic et al. 220/675
D429,150 S * 8/2000 Lindsay et al. D9/425
D465,154 S * 11/2002 O'Brien D9/428
D474,110 S * 5/2003 Sweeney D9/428

(21) **Appl. No.:** **29/204,903**
(22) **Filed:** **May 6, 2004**
(30) **Foreign Application Priority Data**
Nov. 6, 2003 (EP) 105184

* cited by examiner
Primary Examiner—Prabhakar Deshmukh
(74) *Attorney, Agent, or Firm*—Rader, Fishman & Grauer, PLLC

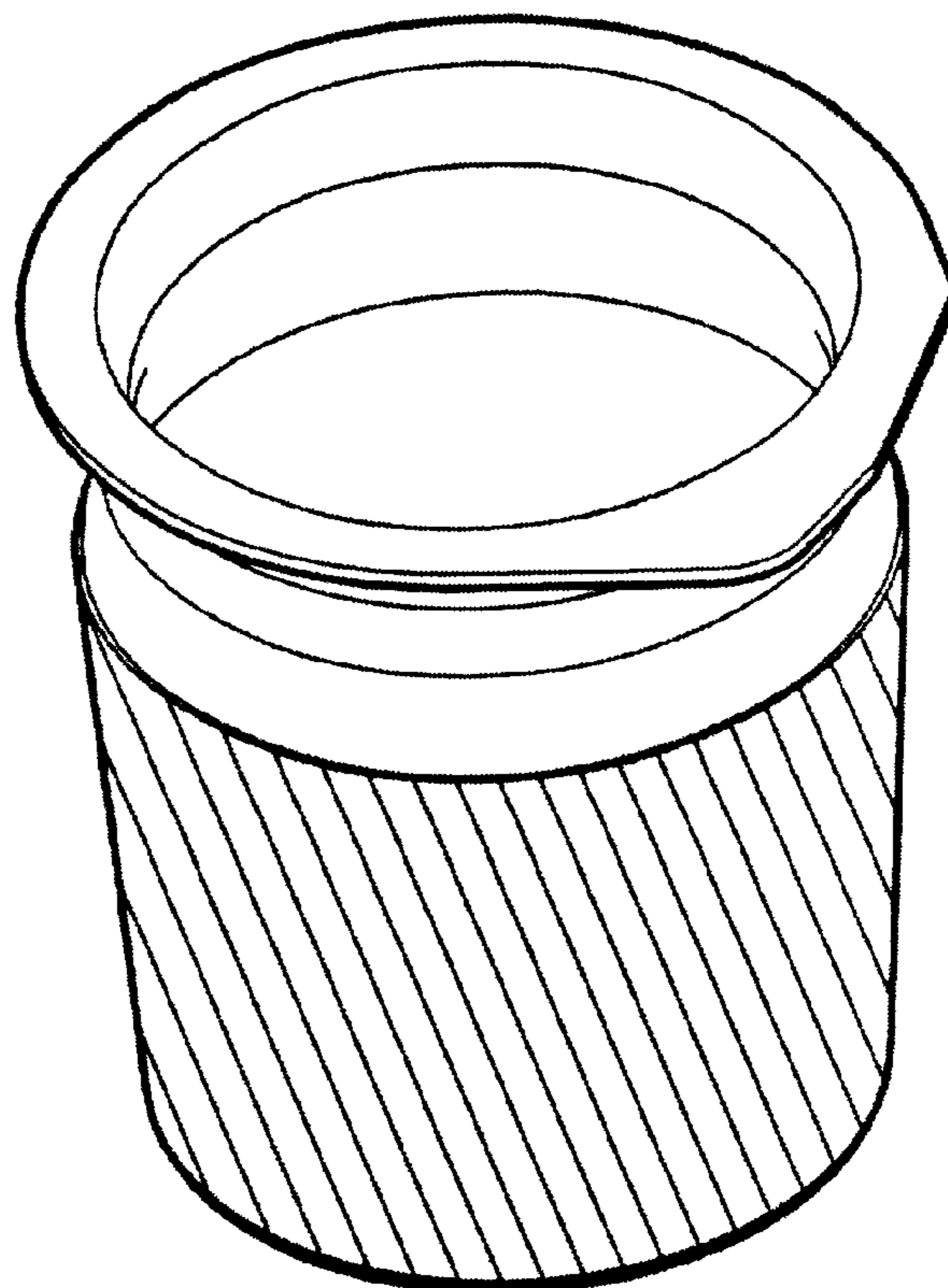
(51) **LOC (8) Cl.** **09-07**
(52) **U.S. Cl.** **D9/429; D9/428; D9/425**
(58) **Field of Search** D9/428, 429, 424,
D9/425, 414, 456; D7/550.1, 560, 566,
584; 206/499, 503, 512, 485.1; 220/657,
659, 669, 674, 675; 229/4.5, 5.5, 93, 406,
407, 400

(57) **CLAIM**
I claim the ornamental design for a container, as shown and described.

(56) **References Cited**
U.S. PATENT DOCUMENTS
D197,312 S * 1/1964 Kulow D9/429
3,495,736 A * 2/1970 Ragetti 220/670
D245,896 S * 9/1977 Philippon D9/425
4,972,963 A * 11/1990 Guarriello et al. 220/659

DESCRIPTION
FIG. 1 is a top perspective view of the container design of the present invention;
FIG. 2 is a bottom perspective view of the container design of the present invention.
FIG. 3 is a side elevational view of the container design of the present invention; and,
FIG. 4 is a plan view of the top of the container design of the present invention.

1 Claim, 2 Drawing Sheets



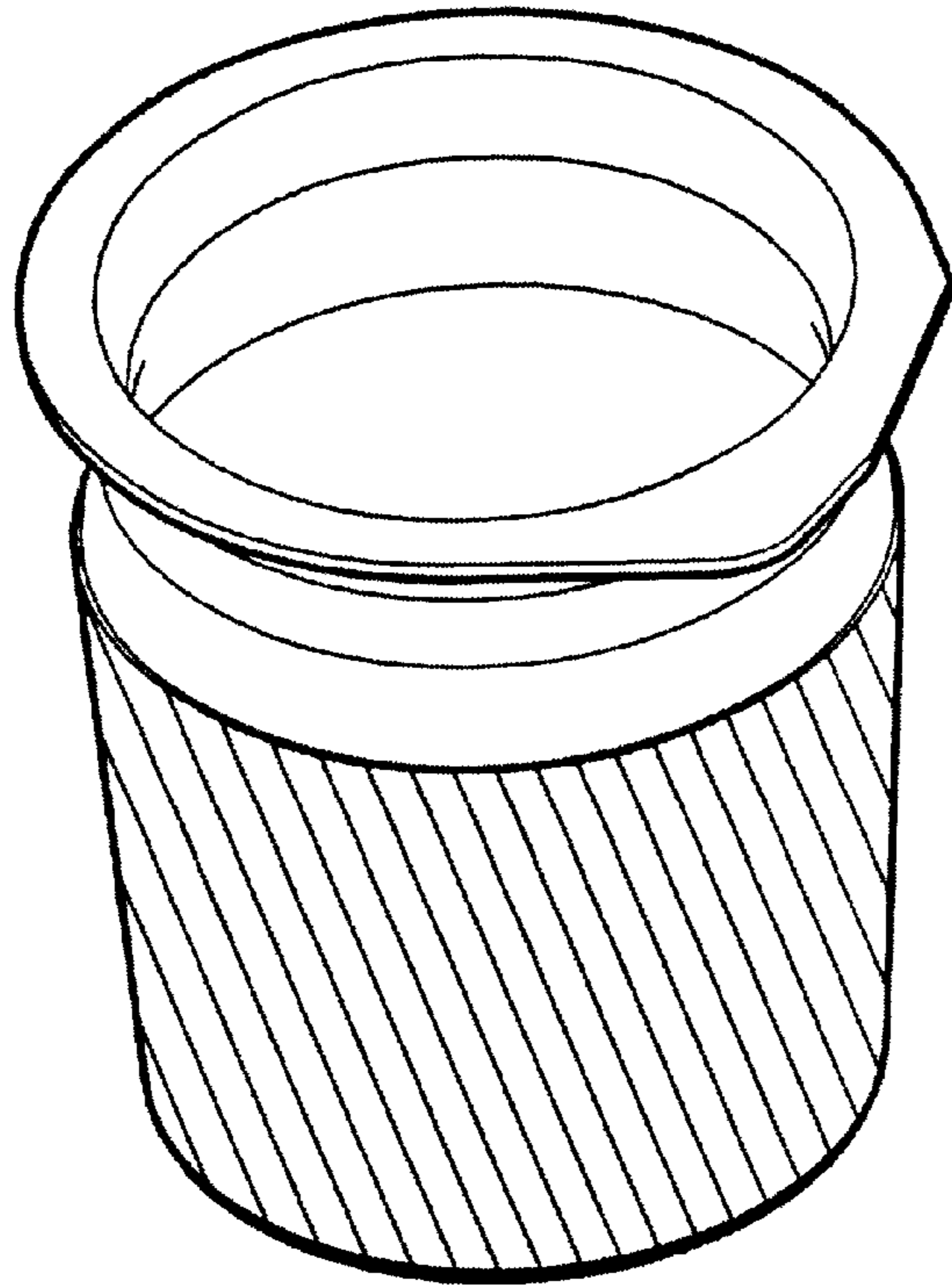


FIG. 1

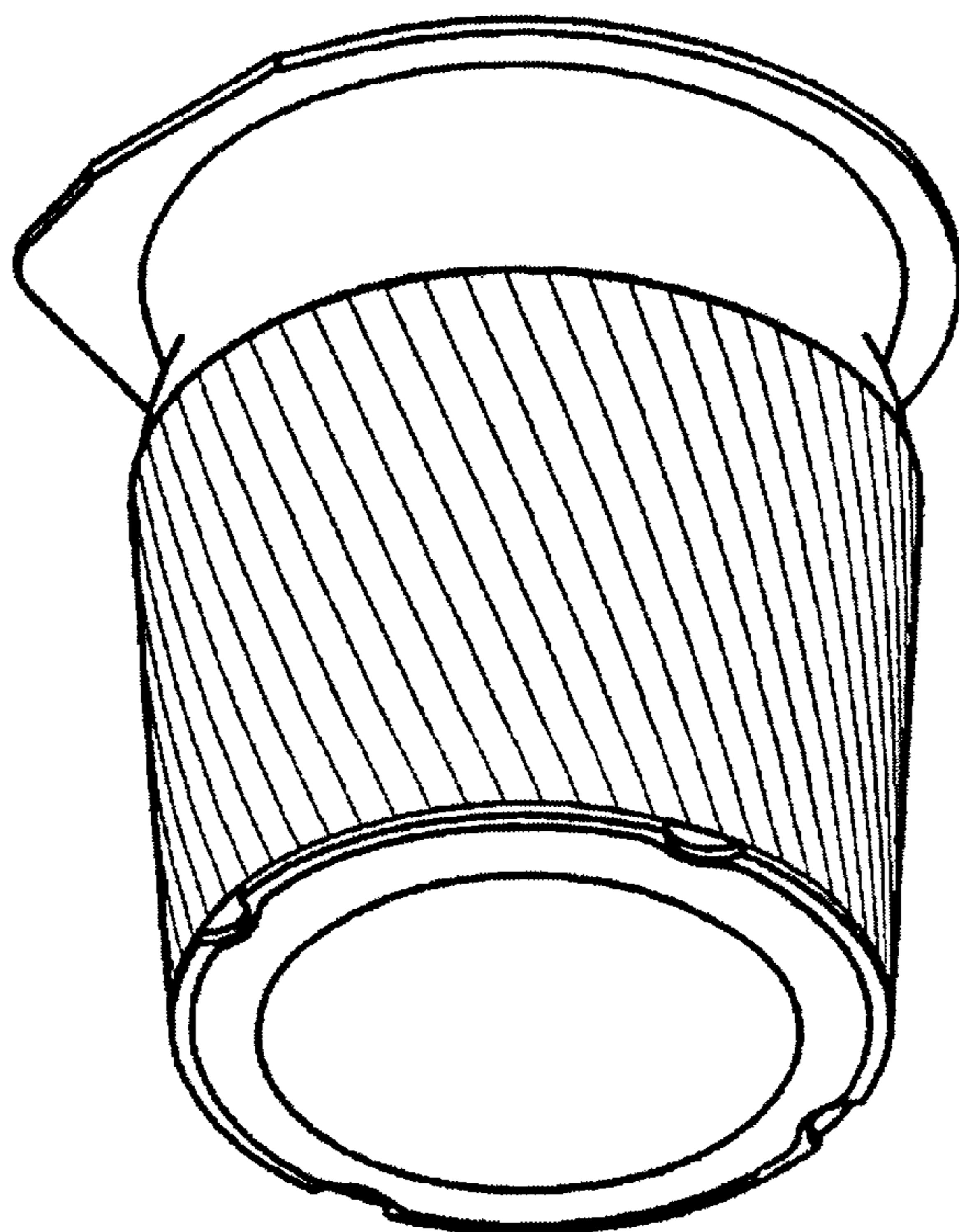


FIG. 2

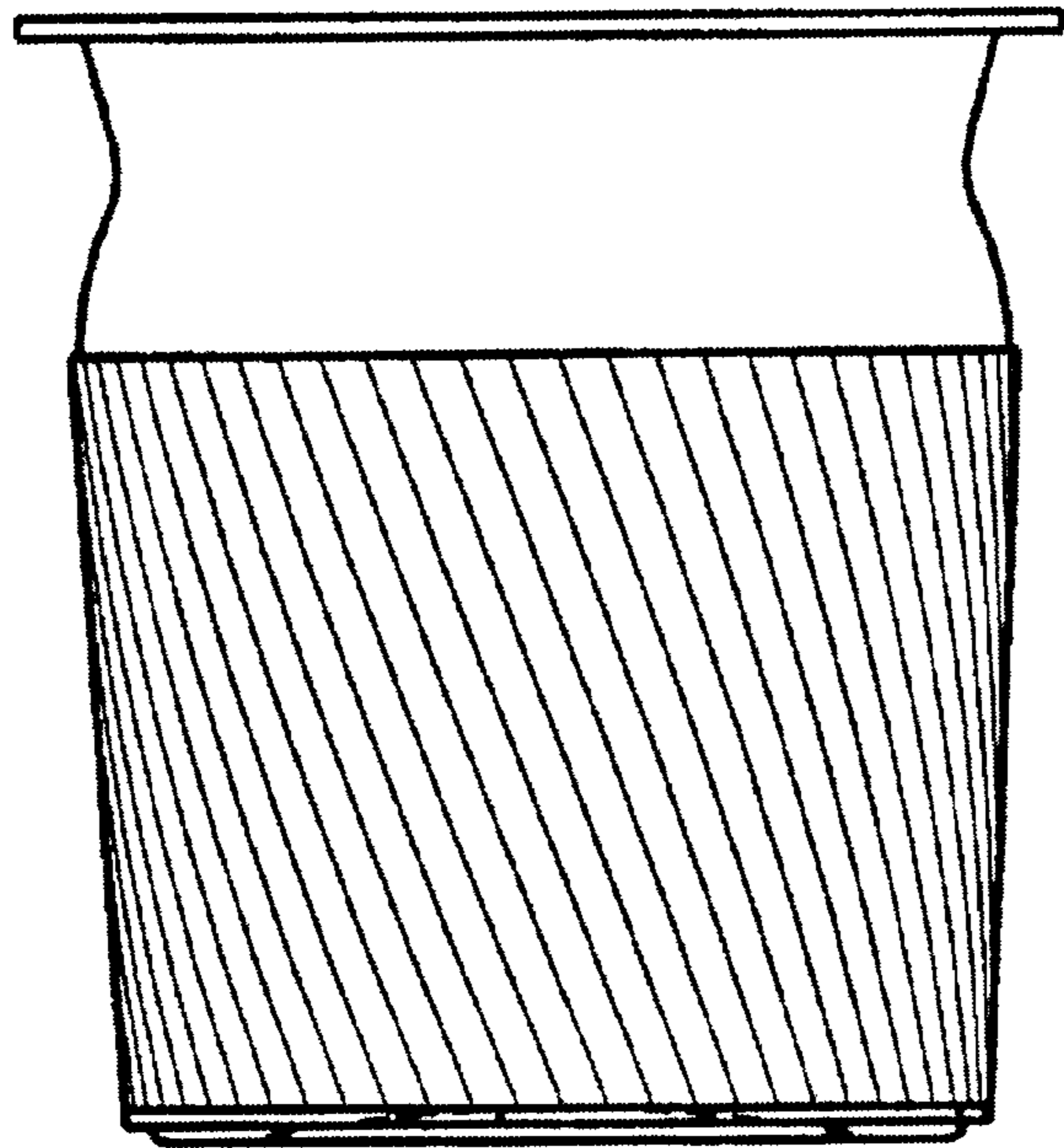


FIG. 3

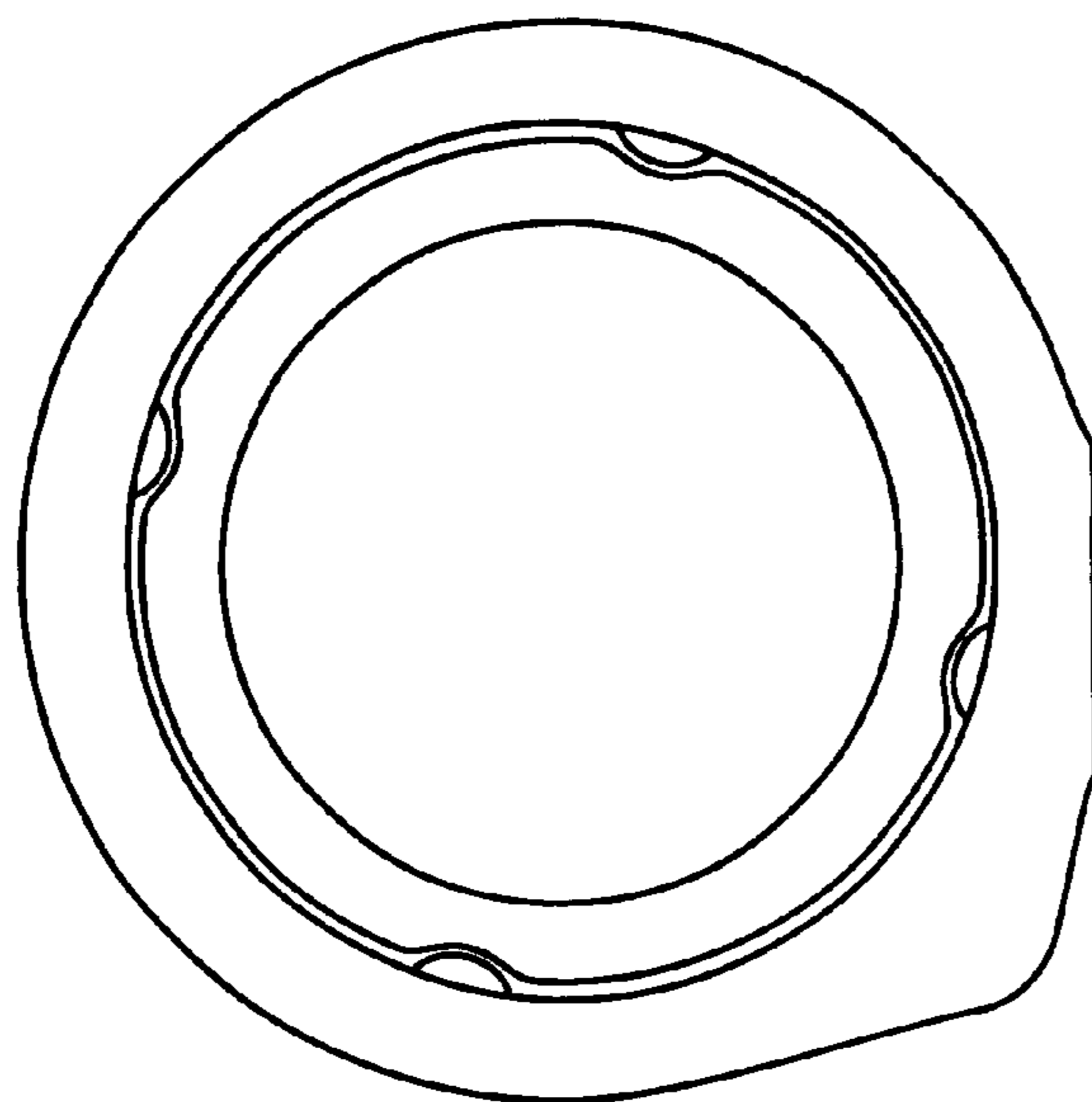


FIG. 4