



US00D511964S

(12) **United States Design Patent**  
**Mariano et al.**

(10) **Patent No.: US D511,964 S**  
(45) **Date of Patent: \*\* Nov. 29, 2005**

(54) **CLIP**

(75) Inventors: **Dino Mariano**, Pittsburgh, PA (US);  
**Gregoire Aby-Eva**, Pittsburgh, PA  
(US); **Lisa Yanz**, Rochester, NY (US)

(73) Assignee: **Helen of Troy Limited**, Bridgetown  
(BB)

(\*\*) Term: **14 Years**

(21) Appl. No.: **29/206,374**

(22) Filed: **Jun. 1, 2004**

(51) **LOC (8) Cl.** ..... **08-08**

(52) **U.S. Cl.** ..... **D8/395**

(58) **Field of Search** ..... D8/356, 371, 394-396,  
D8/499, 53, 100, 365; D12/51; D19/65;  
D28/39, 40, 42; 24/546, 563, 327, 334,  
DIG. 8, DIG. 9, DIG. 13, DIG. 28; 248/74.2,  
300, 301, 316.7, 229.26

(56) **References Cited**

**U.S. PATENT DOCUMENTS**

D206,785 S \* 1/1967 McCormick ..... D20/43

5,079,808 A \* 1/1992 Brown ..... 24/67.7  
D391,151 S \* 2/1998 Berman ..... D8/395  
D411,220 S \* 6/1999 Surabian ..... D16/242  
D498,497 S \* 11/2004 Lo ..... D19/65

\* cited by examiner

*Primary Examiner*—Doris Clark

*Assistant Examiner*—John Windmuller

(74) *Attorney, Agent, or Firm*—Seyfarth Shaw LLP

(57) **CLAIM**

The ornamental design for the clip, as shown and described.

**DESCRIPTION**

FIG. 1 is a top perspective view of a clip showing our new design;

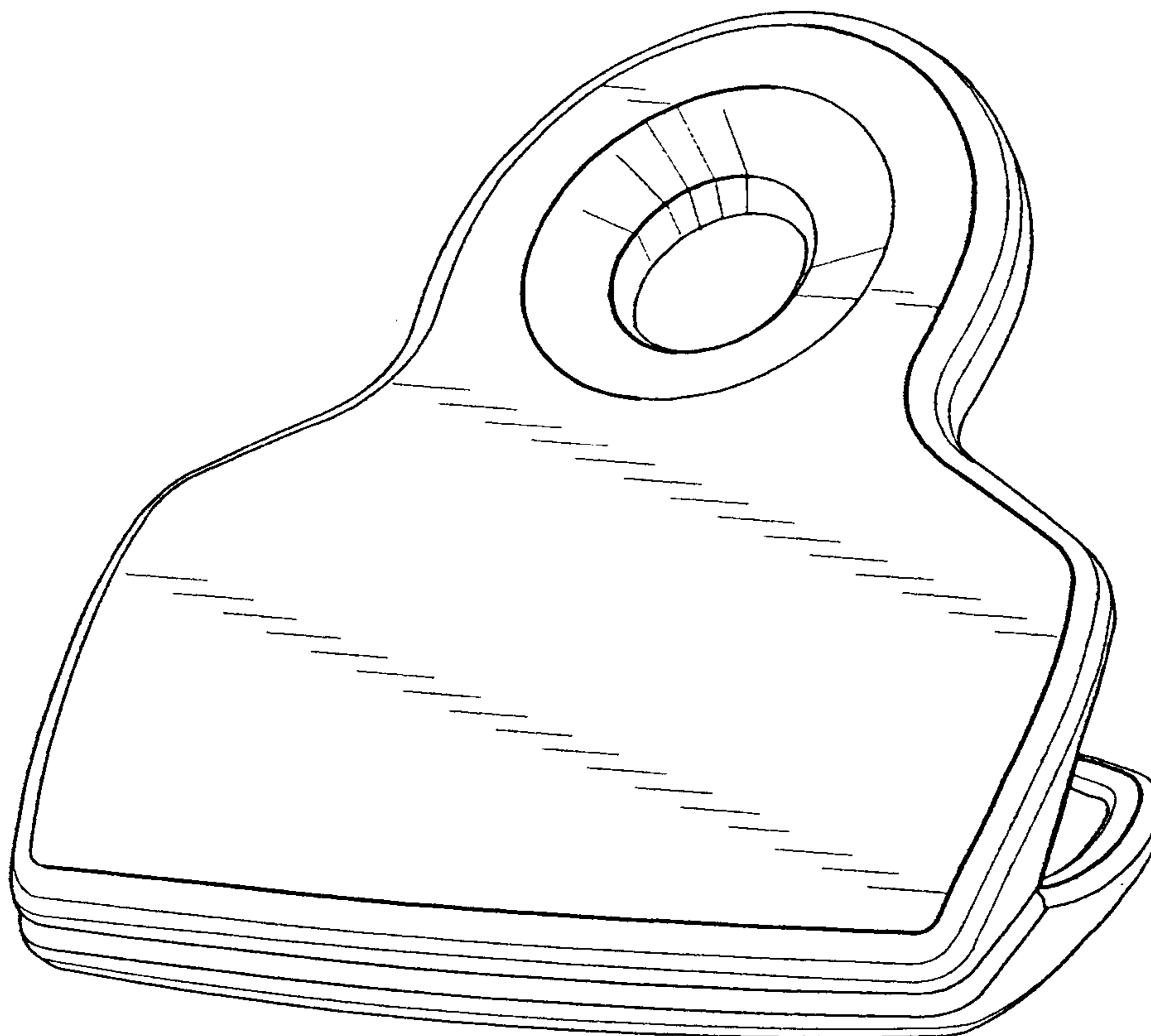
FIG. 2 is a top plan view thereof, the bottom plan view being substantially identical;

FIG. 3 is a front elevational view thereof;

FIG. 4 is a rear elevational view thereof; and,

FIG. 5 is a left side elevational view thereof, the right side elevational view being a mirror image.

**1 Claim, 2 Drawing Sheets**



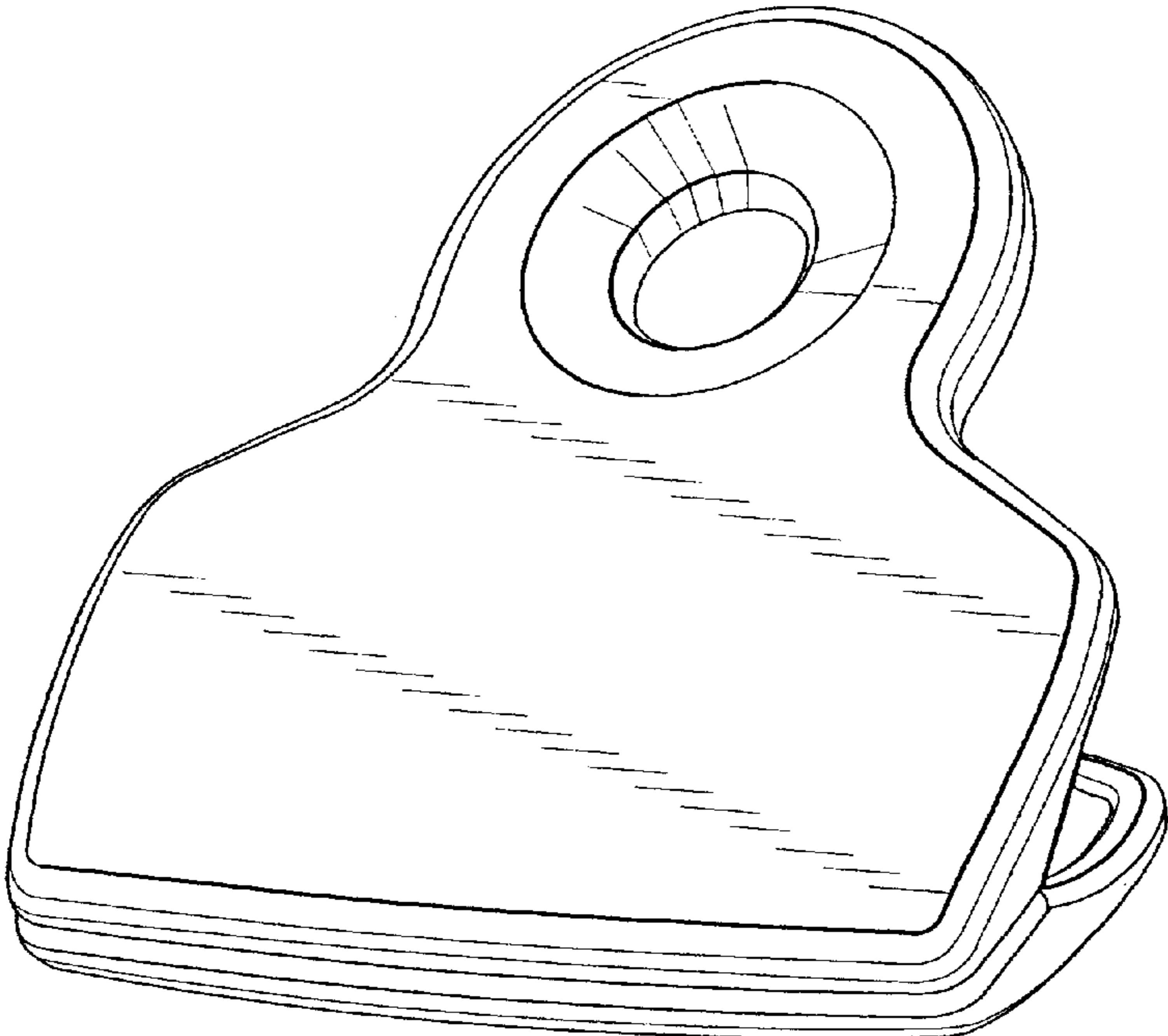


FIG. 1

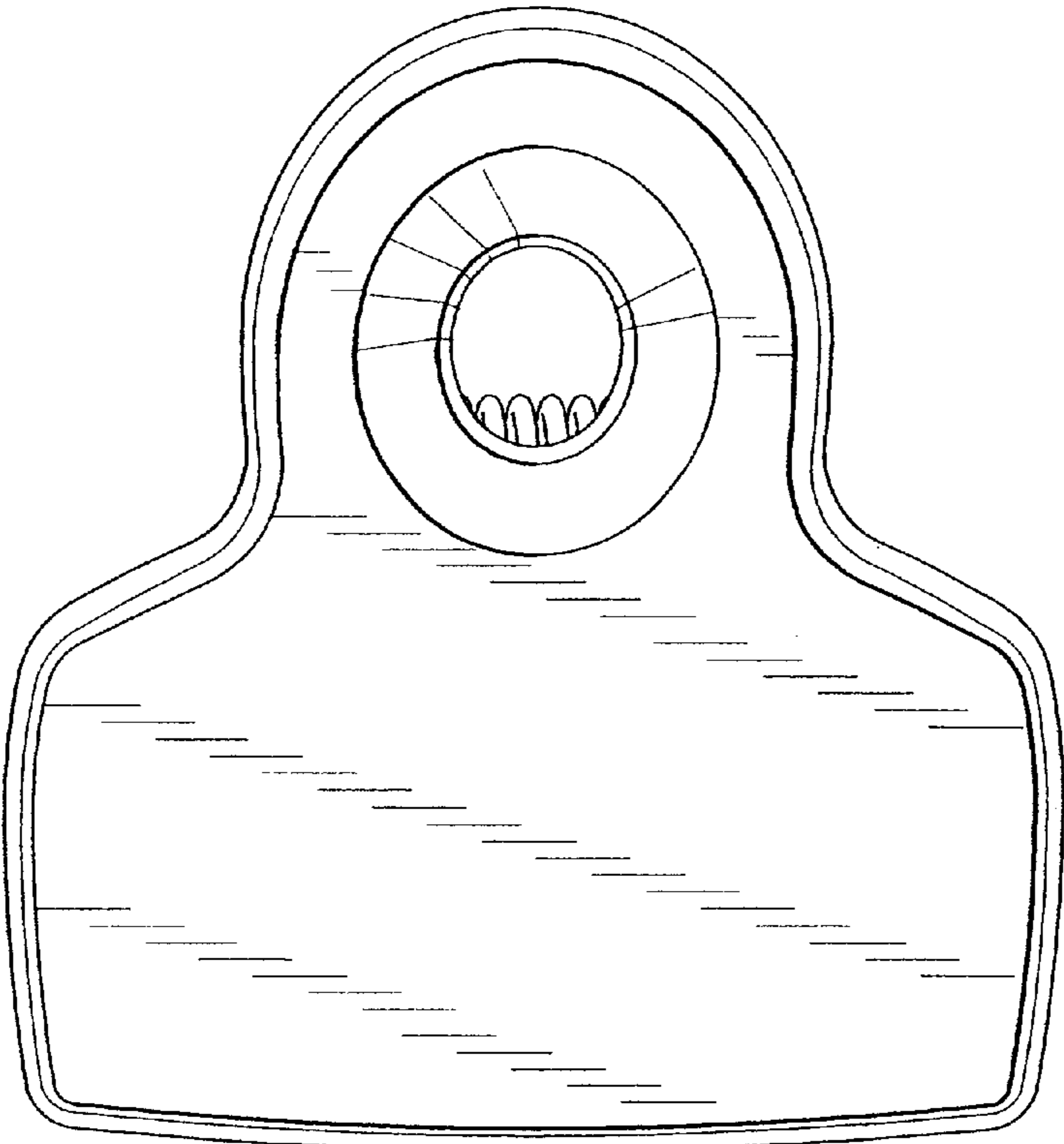


FIG. 2

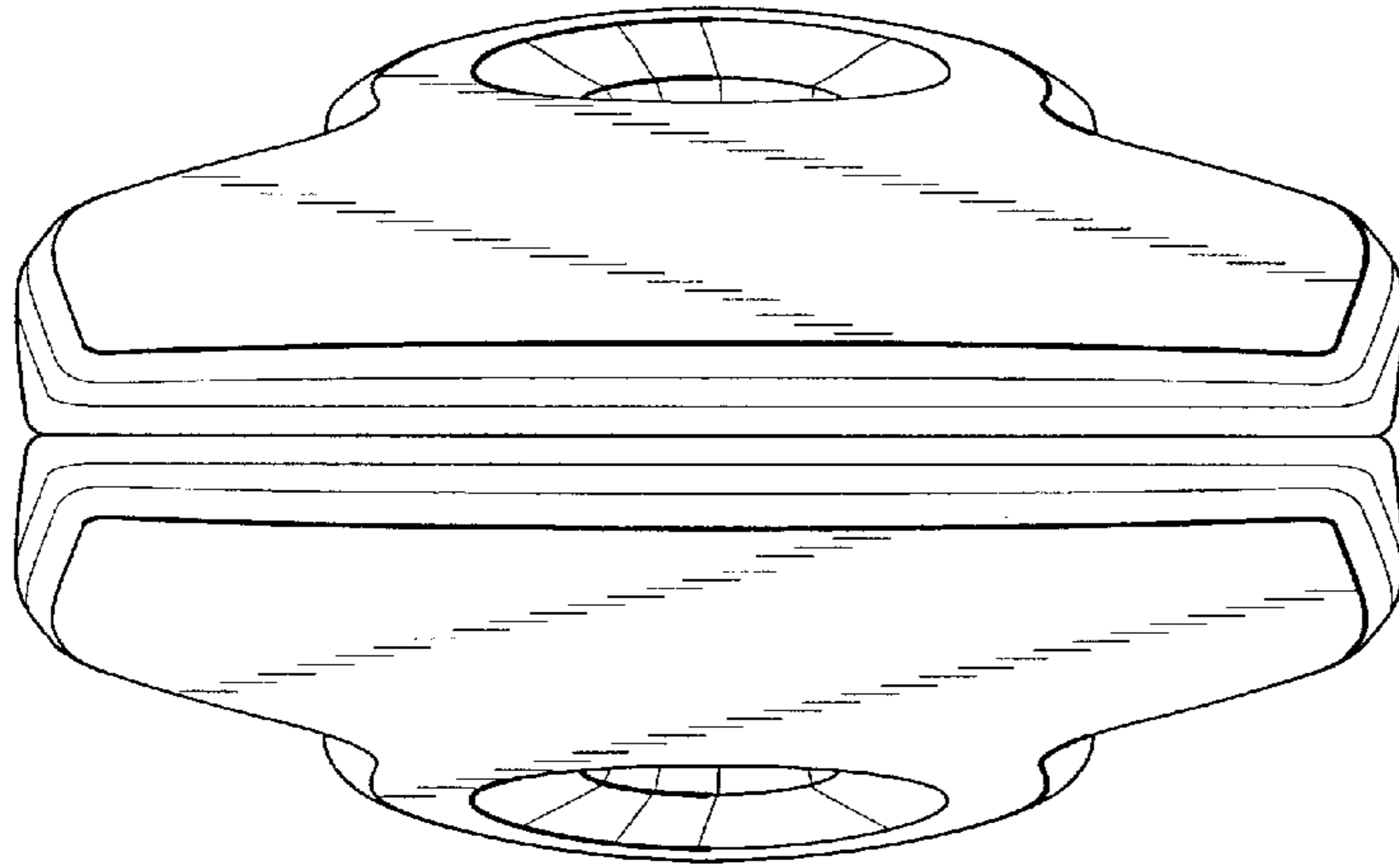


FIG. 3

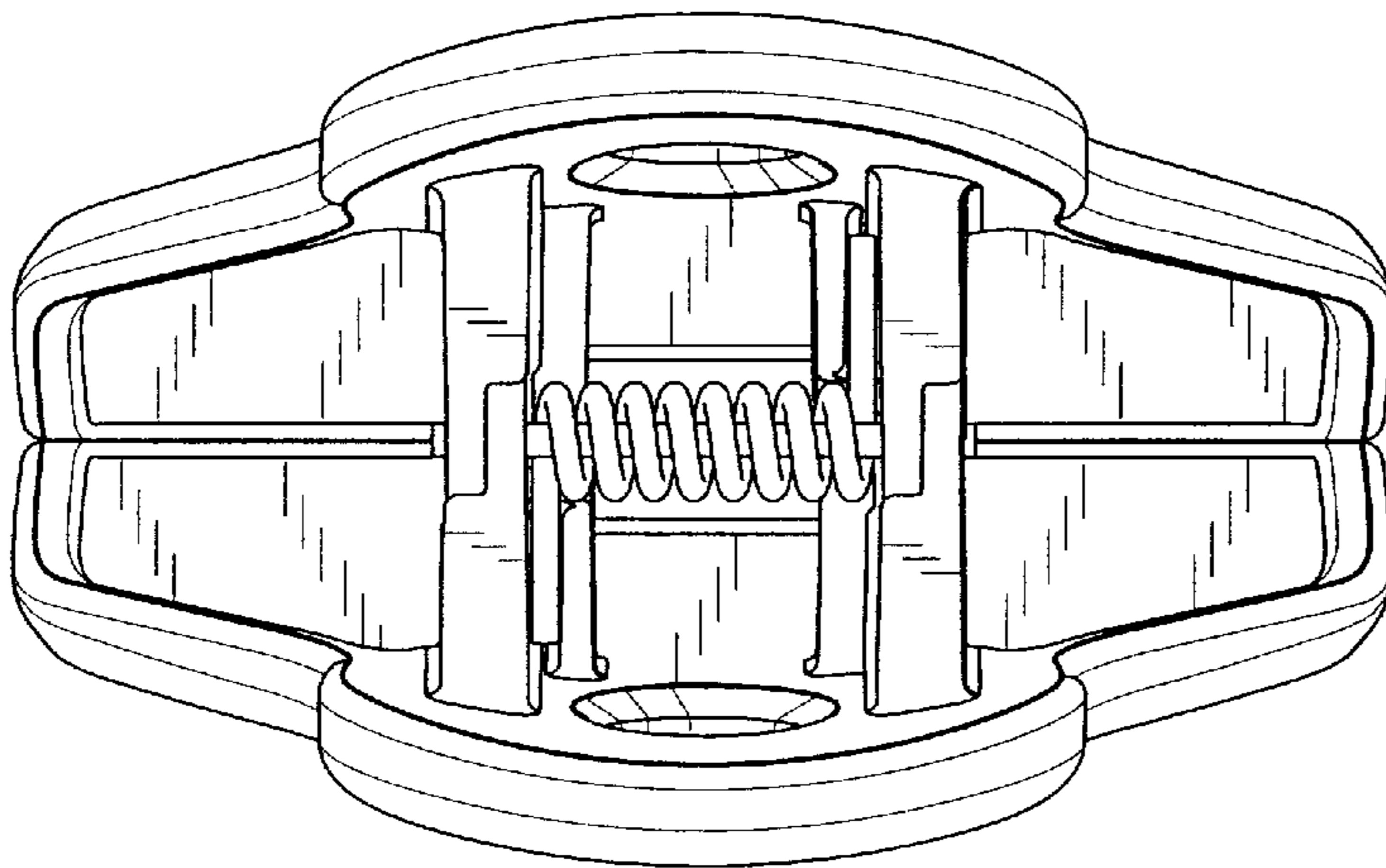


FIG. 4

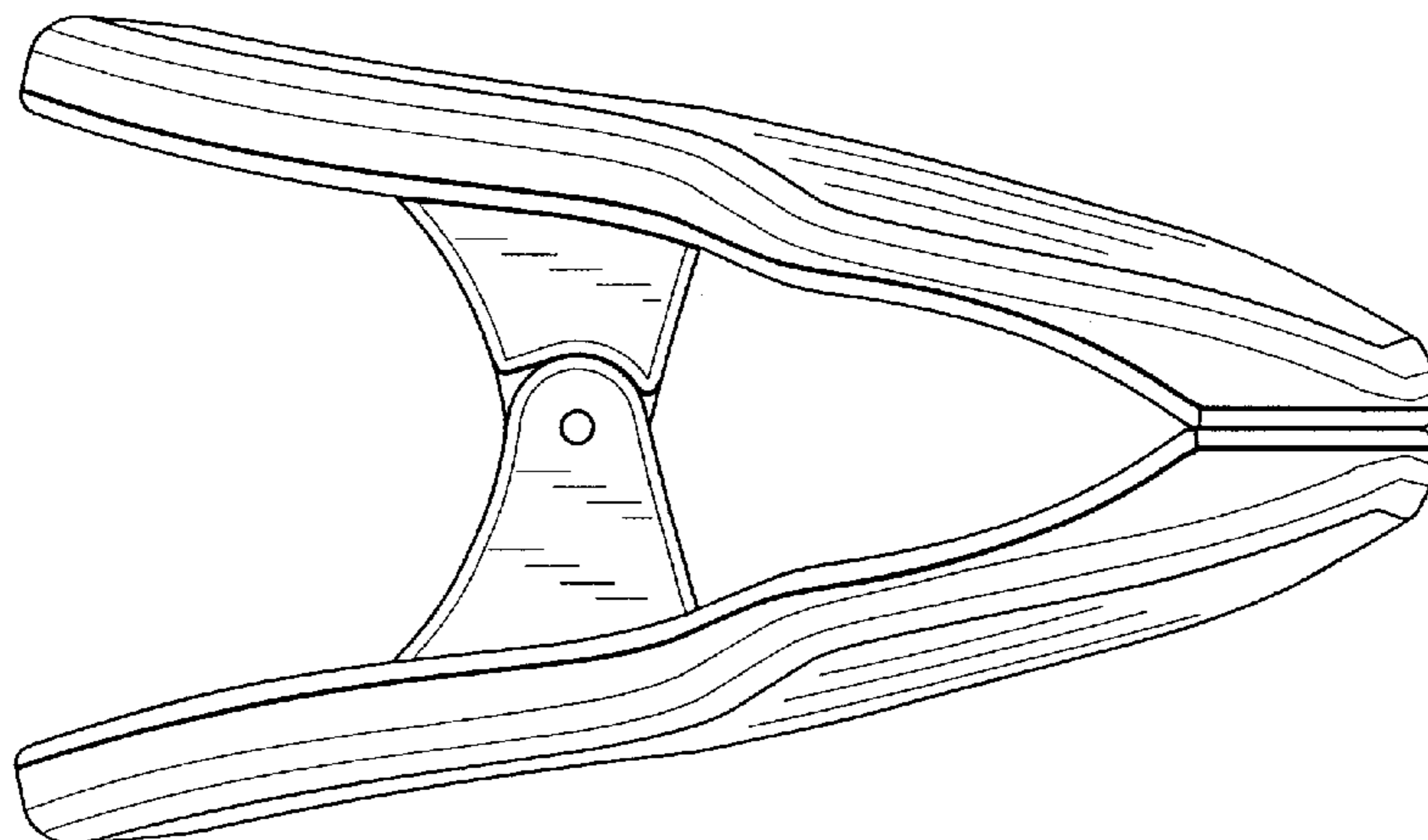


FIG. 5