



US00D511962S

(12) **United States Design Patent**
Diamond et al.

(10) **Patent No.: US D511,962 S**

(45) **Date of Patent: ** Nov. 29, 2005**

(54) **RAMP BLOCK**

D500,829 S * 1/2005 Hadley D21/817

(75) Inventors: **David M. Diamond**, Junction City, OR (US); **Neil D. Pedersen**, Springfield, OR (US)

* cited by examiner

Primary Examiner—Ruth McInroy
Assistant Examiner—Terrence Huang

(73) Assignee: **National R.V. Holdings, Inc.**, Perris, CA (US)

(74) *Attorney, Agent, or Firm*—Kolisch Hartwell, P.C.

(**) Term: **14 Years**

(57) **CLAIM**

We claim the ornamental design for a ramp block, as shown and described.

(21) Appl. No.: **29/223,485**

DESCRIPTION

(22) Filed: **Feb. 14, 2005**

(51) **LOC (8) Cl.** **08-05**

FIG. 1 is a perspective view of a ramp block taken from the upper left front of the ramp block and showing our new design;

(52) **U.S. Cl.** **D8/354**

FIG. 2 is a right-side view of the ramp block shown in FIG. 1;

(58) **Field of Search** D8/354; 229/125.37, 229/8; D34/32; D3/304; D21/817; D9/432, 229, 171, 191, 222, 224, 225, 227, 240, 230; 206/45; 220/376

FIG. 3 is a top plan view of the ramp block shown in FIG. 1;

(56) **References Cited**

U.S. PATENT DOCUMENTS

1,669,139 A	*	5/1928	Martin	229/125.37
D239,610 S	*	4/1976	Miller	D34/32
D245,152 S	*	7/1977	Miller	D9/432
D313,102 S	*	12/1990	Cano	D34/32
D353,487 S	*	12/1994	Smith	D3/304
D390,621 S	*	2/1998	Cosentino	D21/817

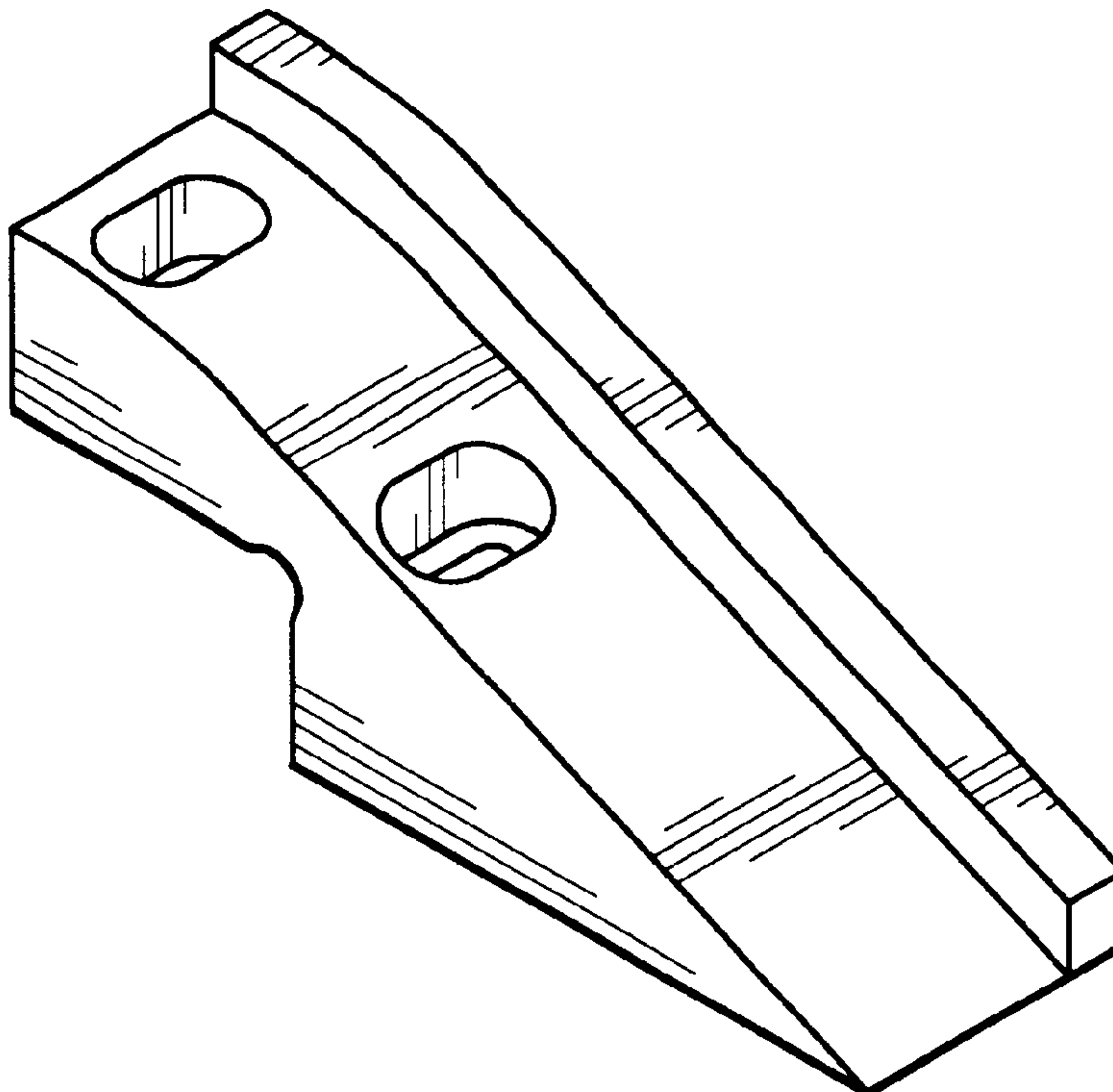
FIG. 4 is a rear elevation view of the ramp block shown in FIG. 1;

FIG. 5 is a left-side view of the ramp block shown in FIG. 1;

FIG. 6 is a front elevation view of the ramp block shown in FIG. 1; and,

FIG. 7 is a bottom view of the ramp block shown in FIG. 1.

1 Claim, 2 Drawing Sheets



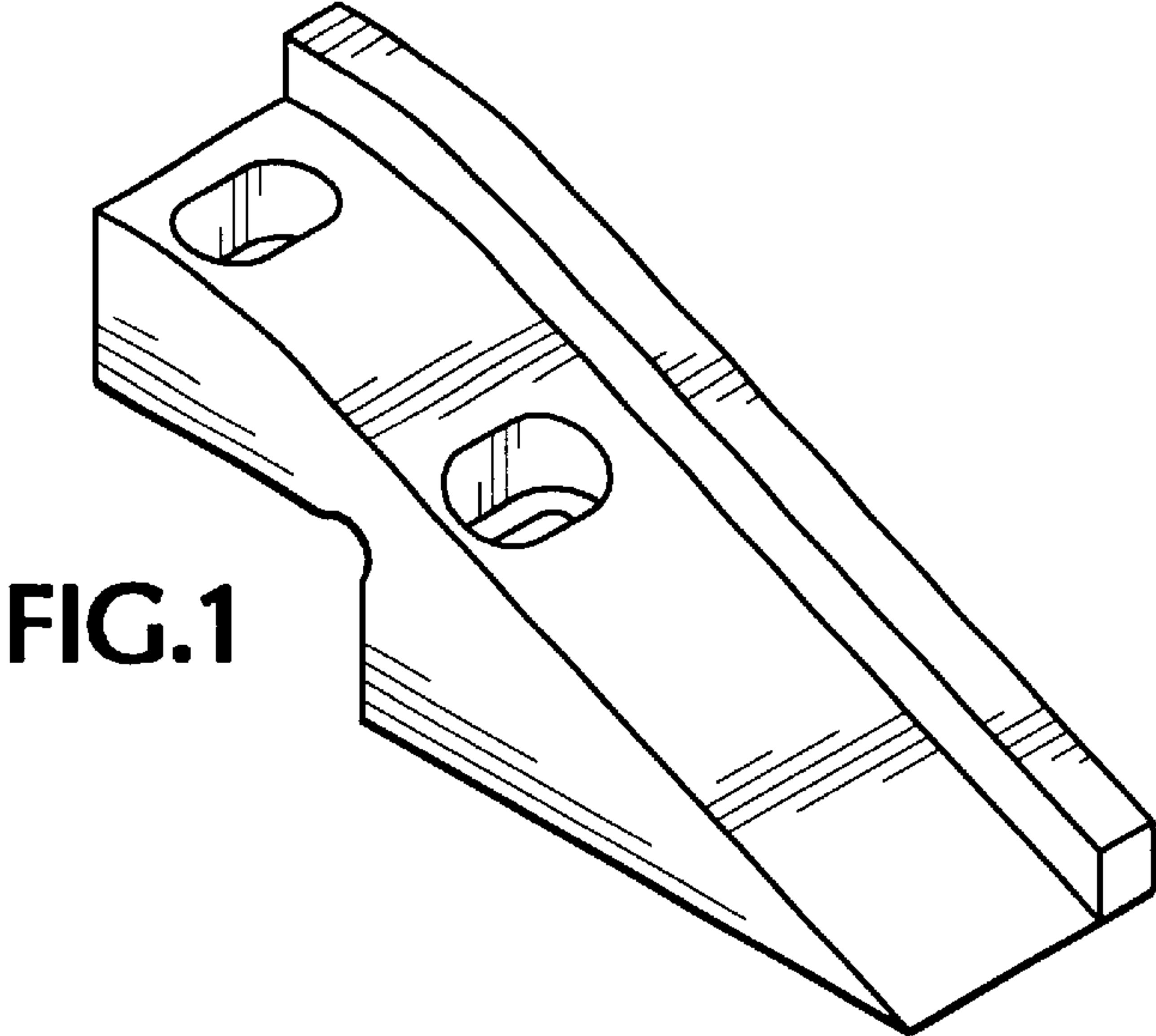


FIG.1

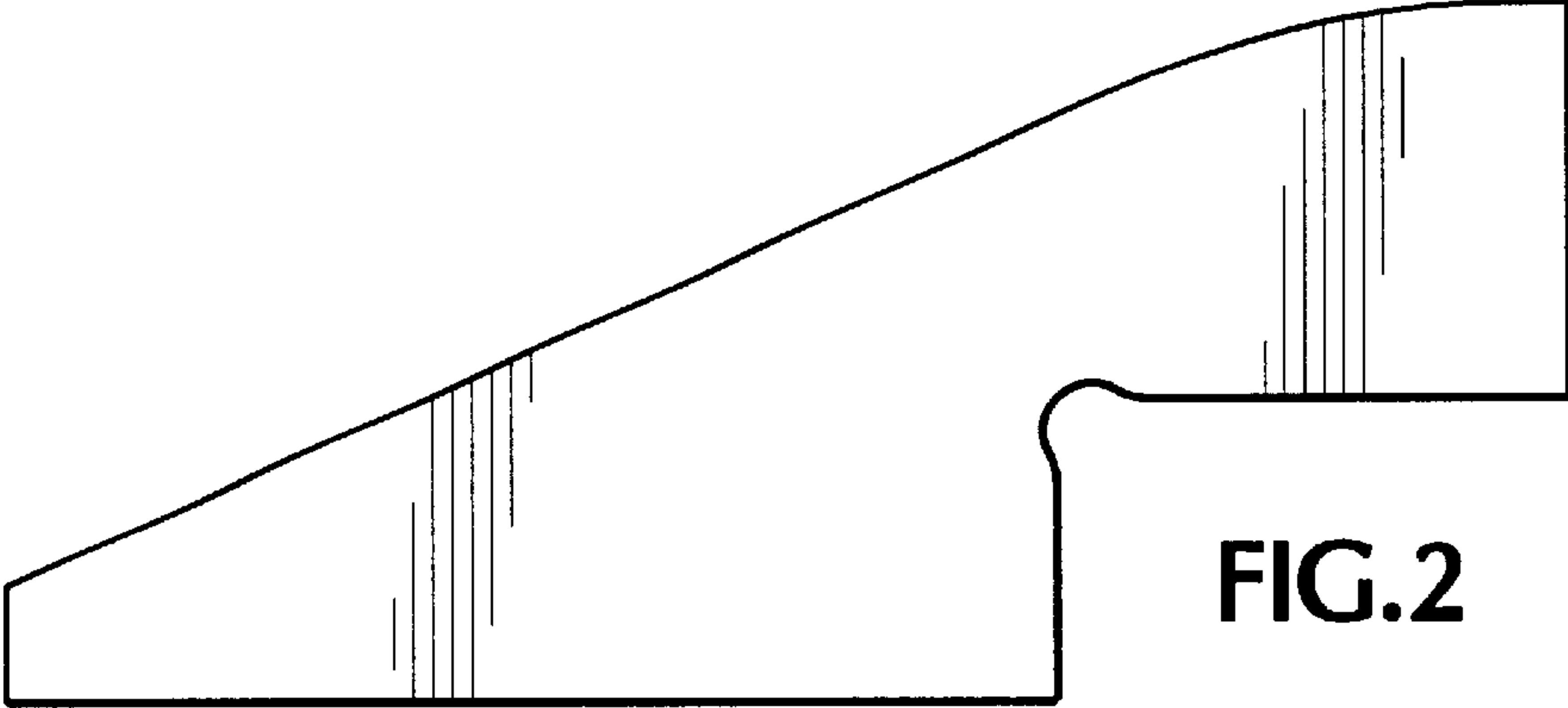


FIG.2

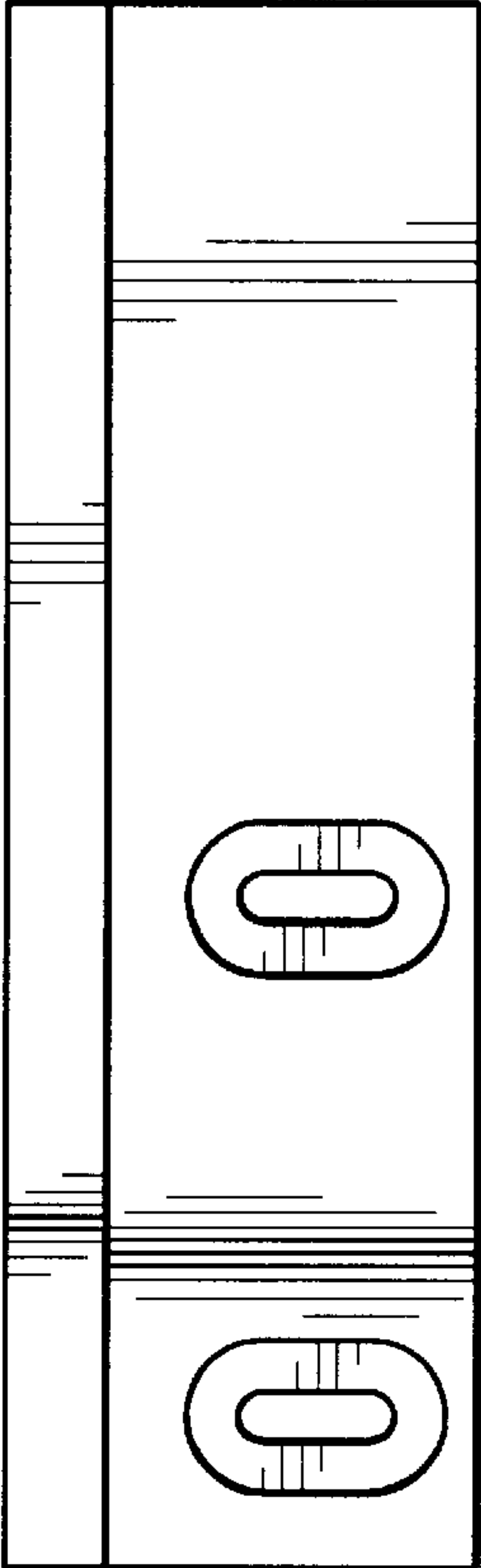


FIG. 3

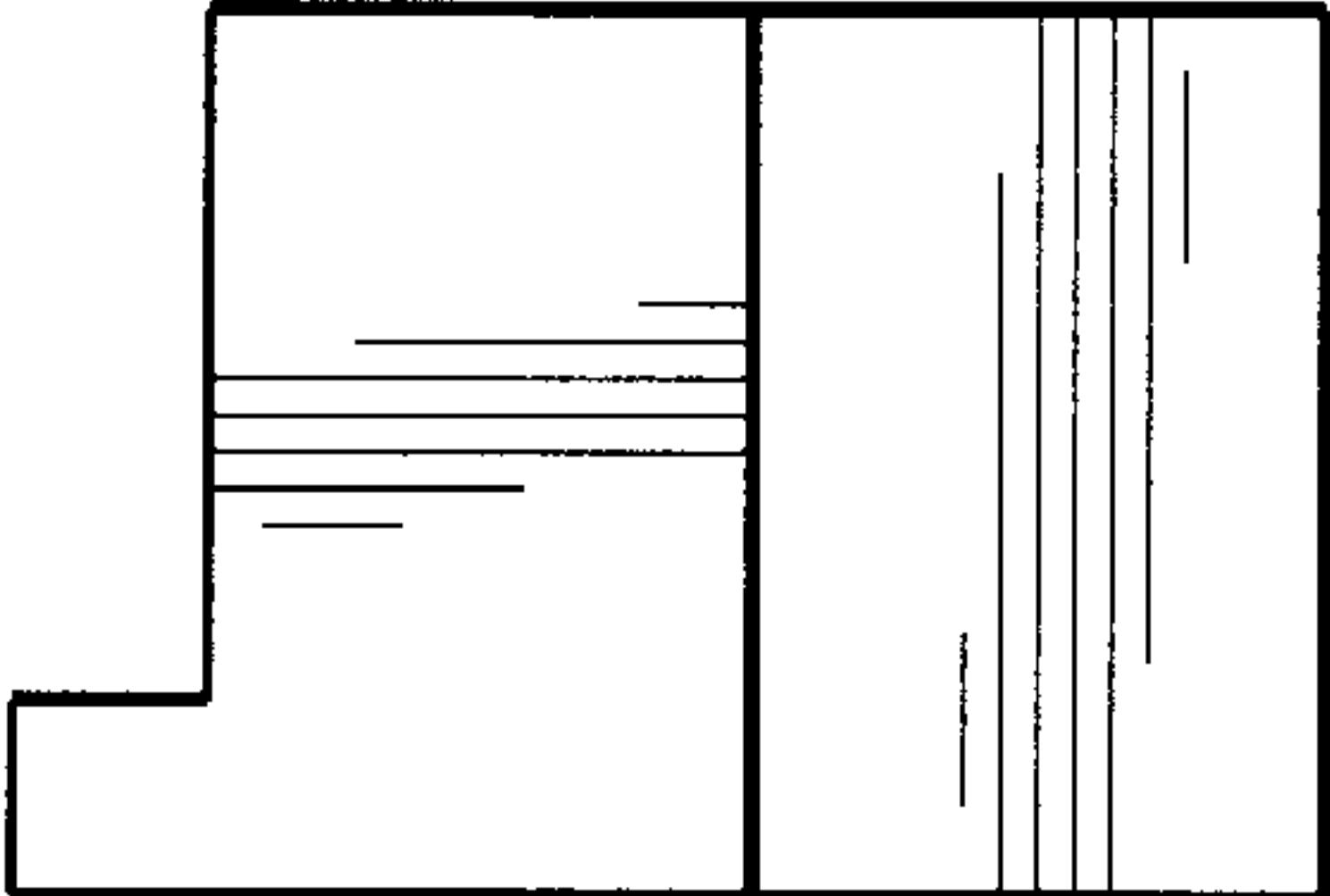


FIG. 4

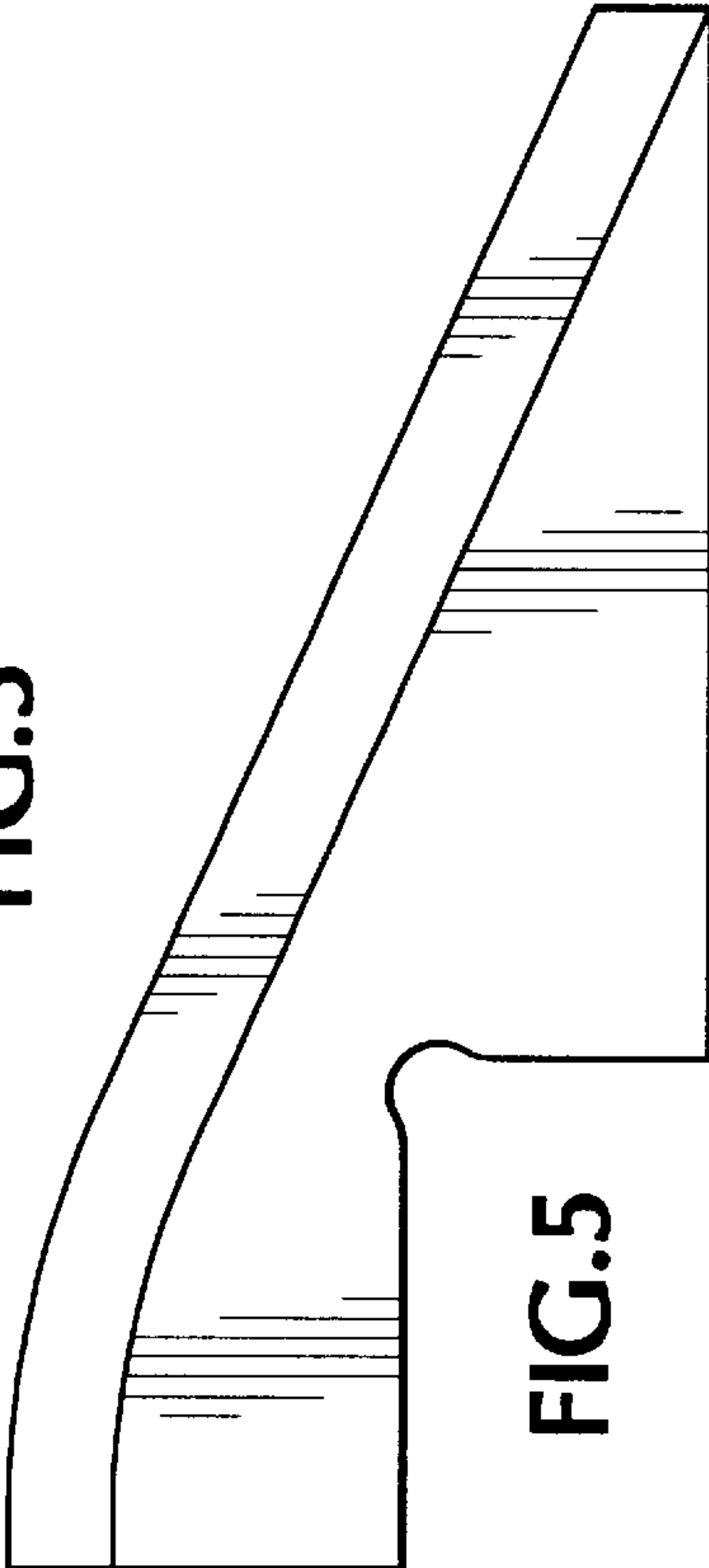


FIG. 5

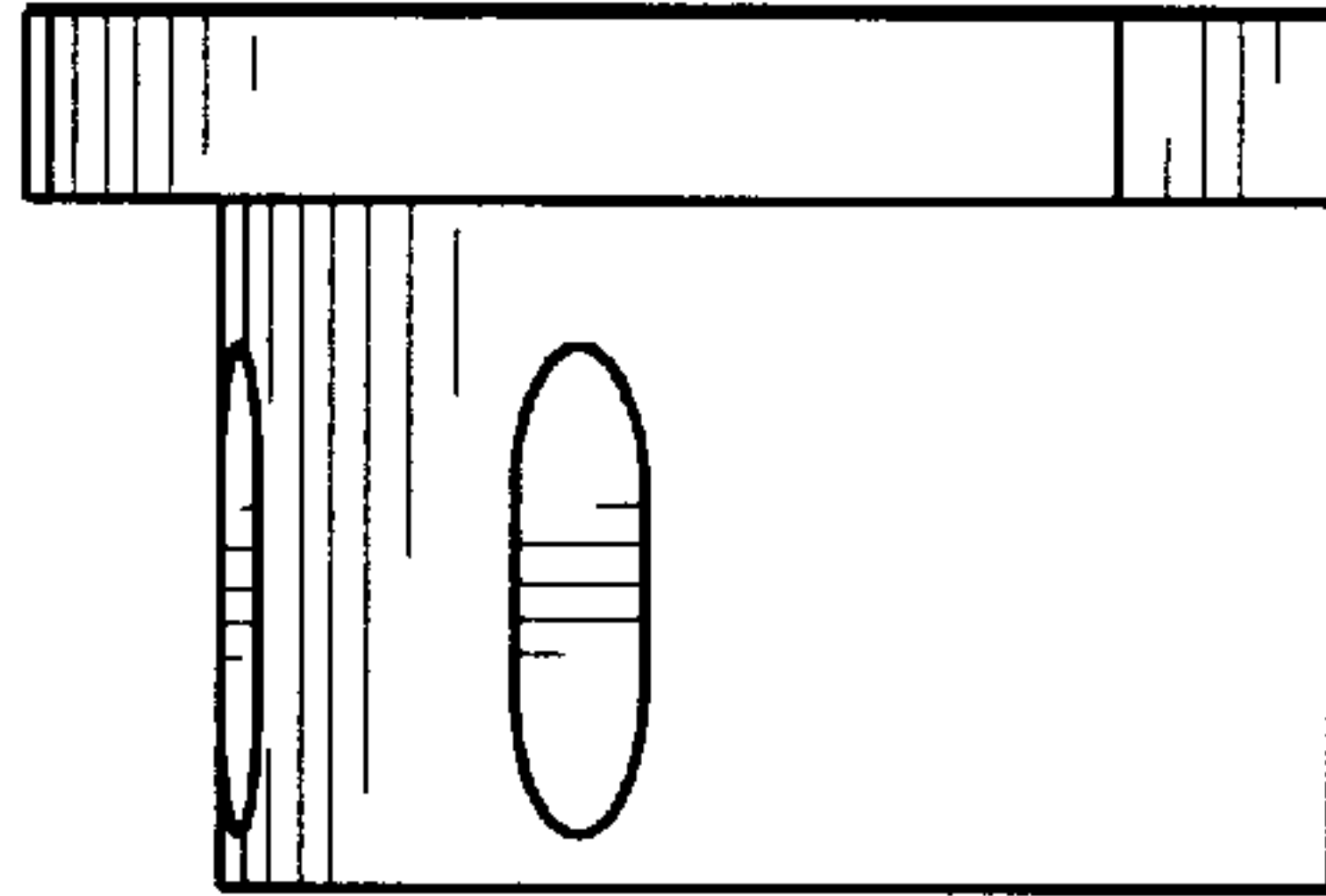


FIG. 6

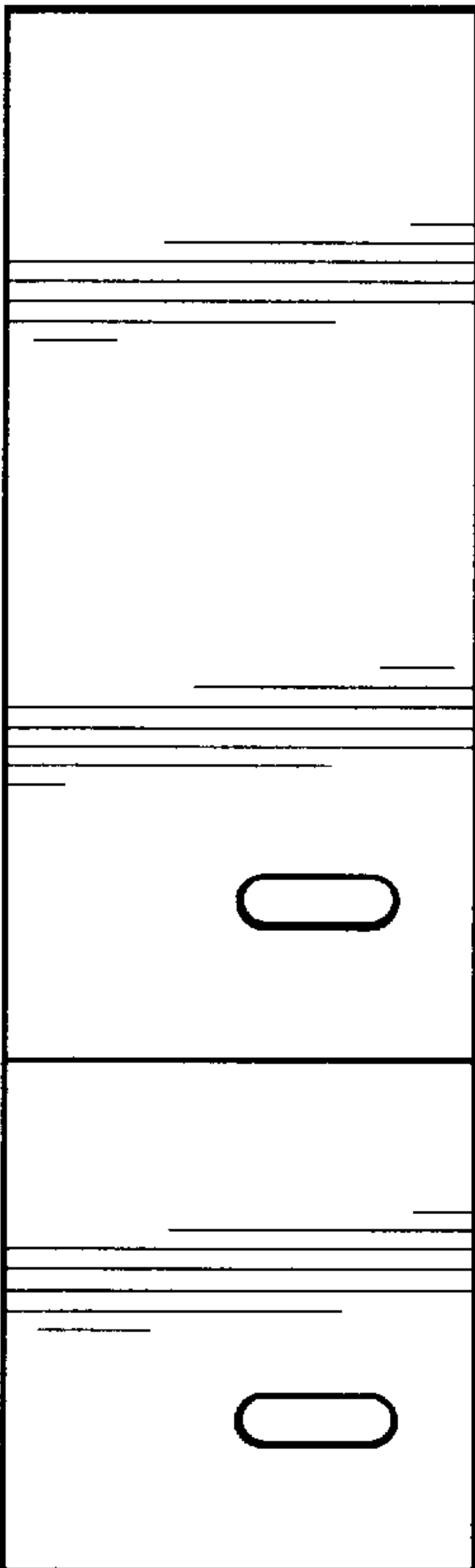


FIG. 7