



US00D511960S

(12) **United States Design Patent**  
**Ogino**

(10) **Patent No.:** **US D511,960 S**

(45) **Date of Patent:** **\*\* Nov. 29, 2005**

(54) **STAND FOR PORTABLE DEVICE**

D455,066 S \* 4/2002 Kolinen ..... D8/354

(75) **Inventor:** **Masaki Ogino, Tokyo (JP)**

\* cited by examiner

(73) **Assignee:** **Casio Keisanki Kabushiki Kaisha, Tokyo (JP)**

*Primary Examiner*—Ruth McInroy

*Assistant Examiner*—Terrence Huang

(\*\*) **Term:** **14 Years**

(74) *Attorney, Agent, or Firm*—Frishauf, Holtz, Goodman & Chick, P.C.

(21) **Appl. No.:** **29/201,543**

(57) **CLAIM**

(22) **Filed:** **Mar. 16, 2004**

The ornamental design for a stand for portable device, as shown and described.

(51) **LOC (8) Cl.** ..... **08-05**

(52) **U.S. Cl.** ..... **D8/354**

(58) **Field of Search** ..... D8/354, 349, 71, D8/373; D6/466; D13/154; 320/109, 110, 113, 114, 115; 439/34; 455/550–575, 90

**DESCRIPTION**

(56) **References Cited**

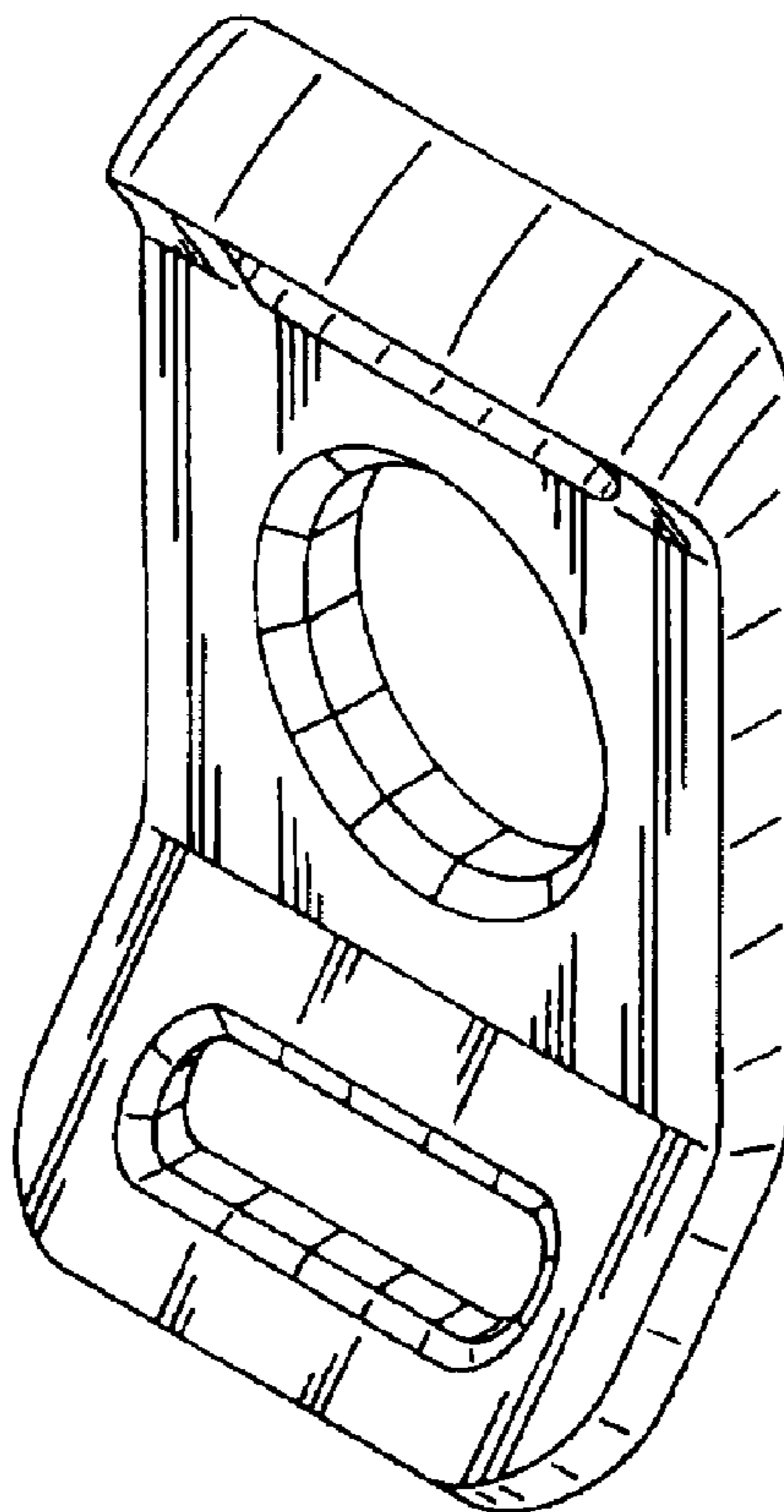
**U.S. PATENT DOCUMENTS**

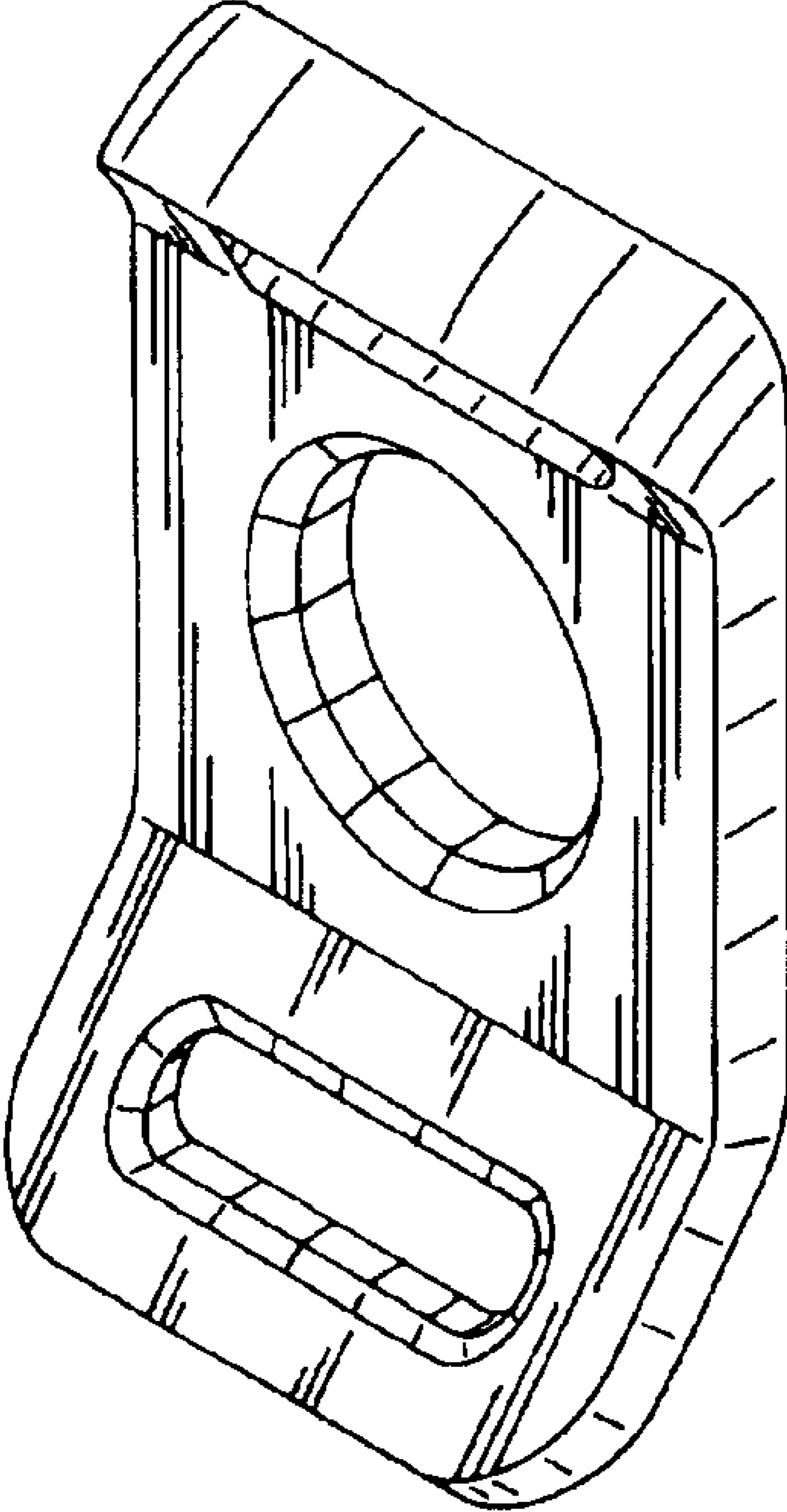
D205,793 S	*	9/1966	Holmes	.....	D8/354
D212,446 S	*	10/1968	McCarthy	.....	D8/354
D218,015 S	*	7/1970	Symington	.....	D8/354
D236,251 S	*	8/1975	Cunningham	.....	D8/354
D375,314 S	*	11/1996	Tagliani	.....	D8/349
D390,437 S	*	2/1998	King, Jr.	.....	D8/71
D393,790 S	*	4/1998	King, Jr.	.....	D8/354
D400,860 S	*	11/1998	Whalley et al.	.....	D8/354
D424,330 S	*	5/2000	DeWitt	.....	D6/466

FIG. 1 is a reduced scale front, right, top side perspective view of a stand for portable device showing my new design; FIG. 2 is a front elevational view thereof; FIG. 3 is a rear elevational view thereof; FIG. 4 is a left side view thereof; FIG. 5 is a right side view thereof; FIG. 6 is a top plan view thereof; FIG. 7 is a bottom plan view thereof; and, FIG. 8 is a reference perspective view thereof with a portable device attached.

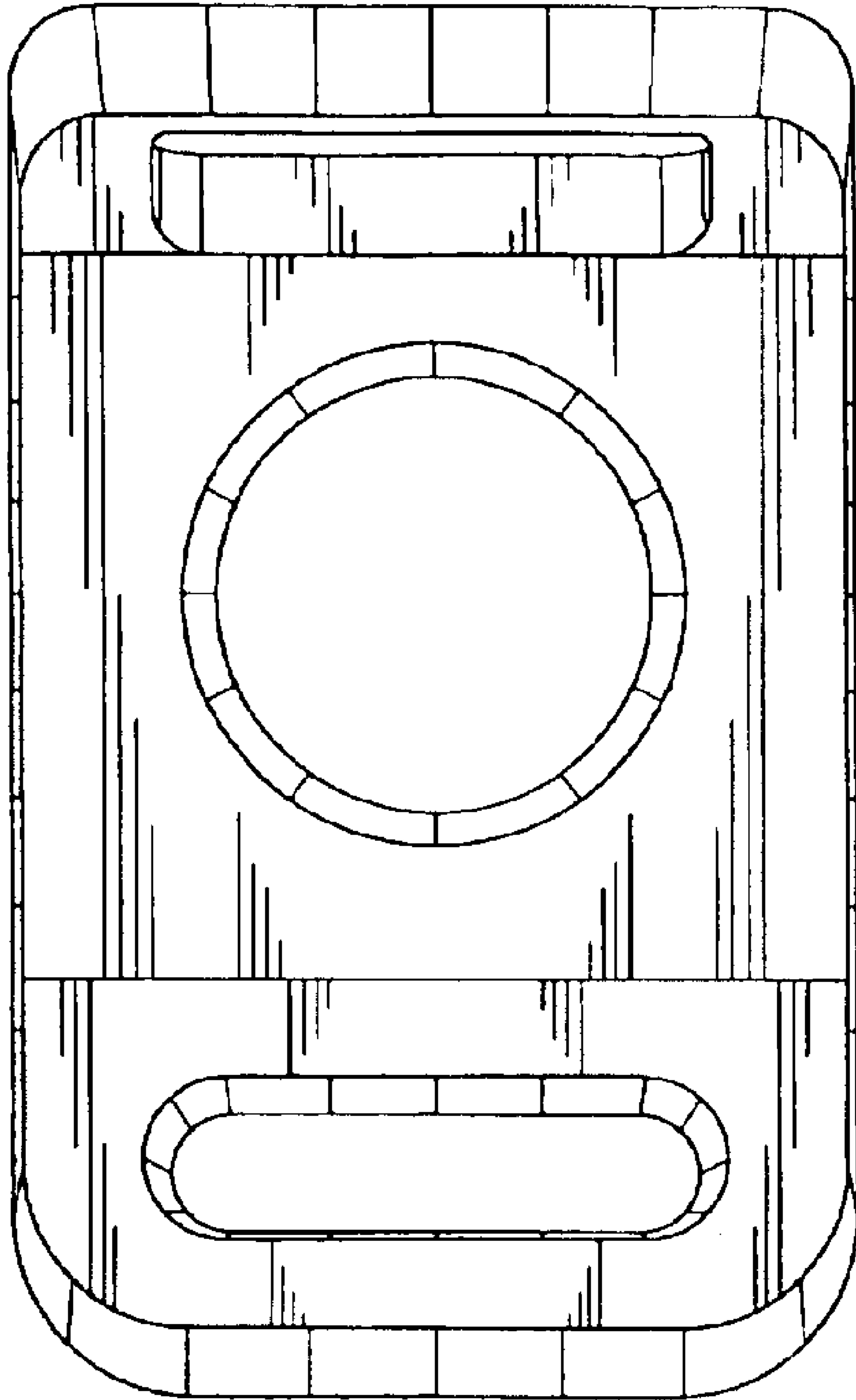
The broken line showing of a portable device in FIG. 8 is for illustrative purposes only and forms no part of the claimed design.

**1 Claim, 7 Drawing Sheets**

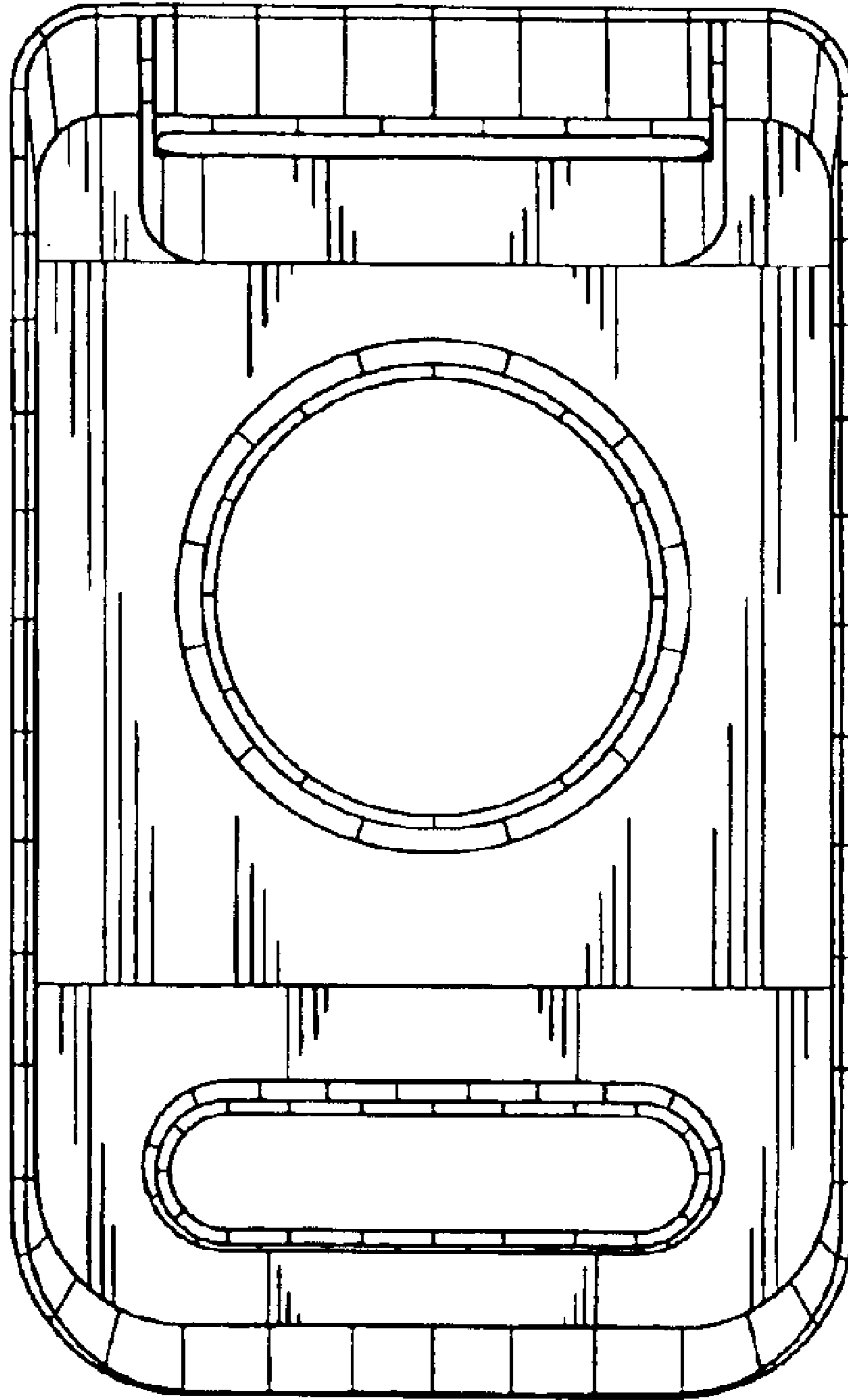




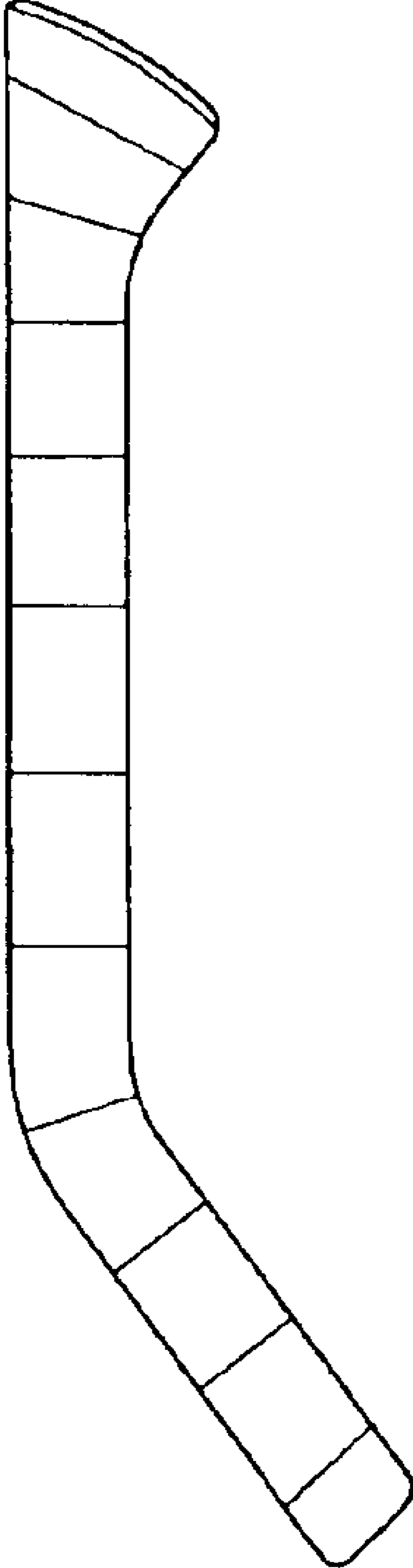
**FIG. 1**



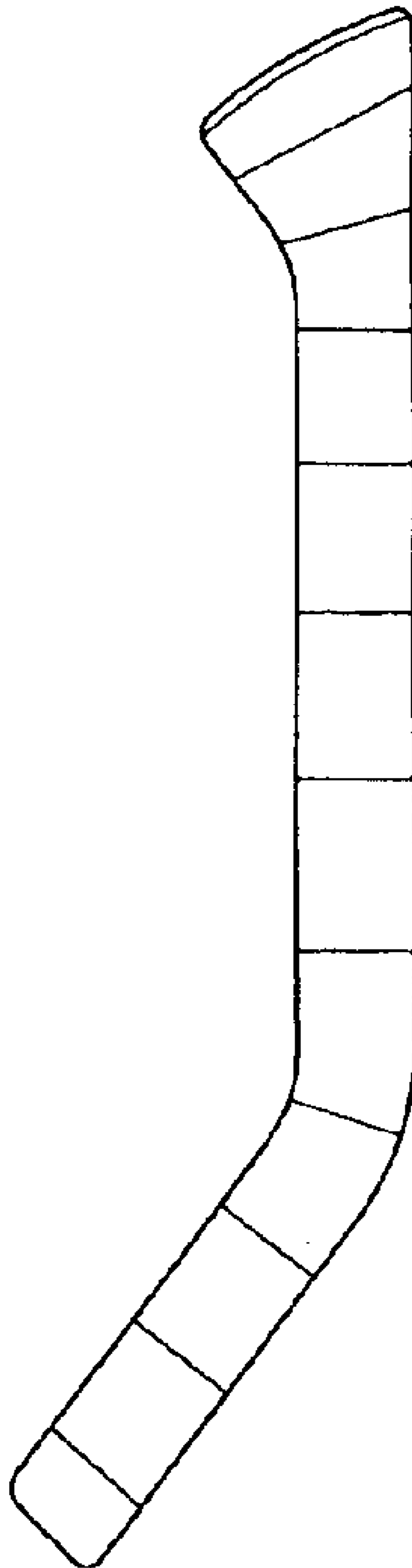
**FIG. 2**



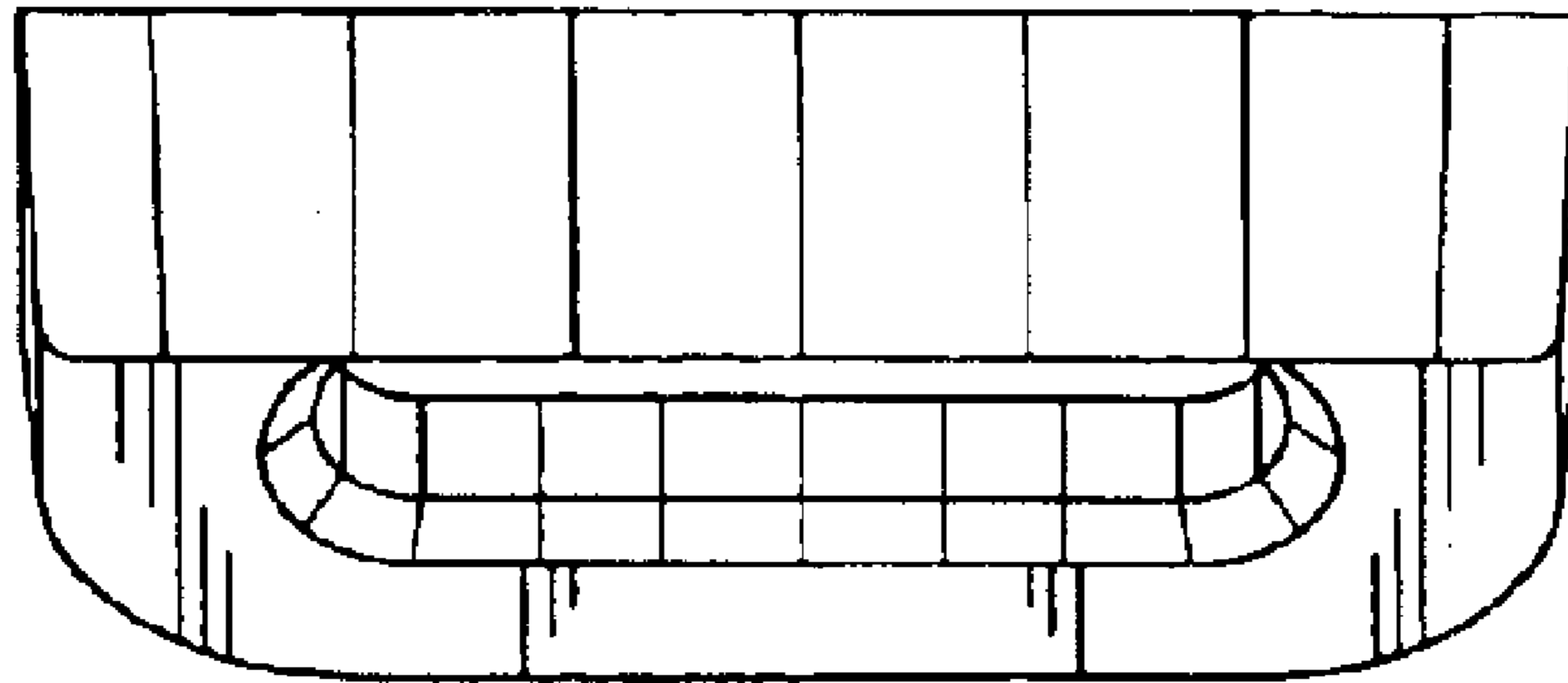
**FIG. 3**



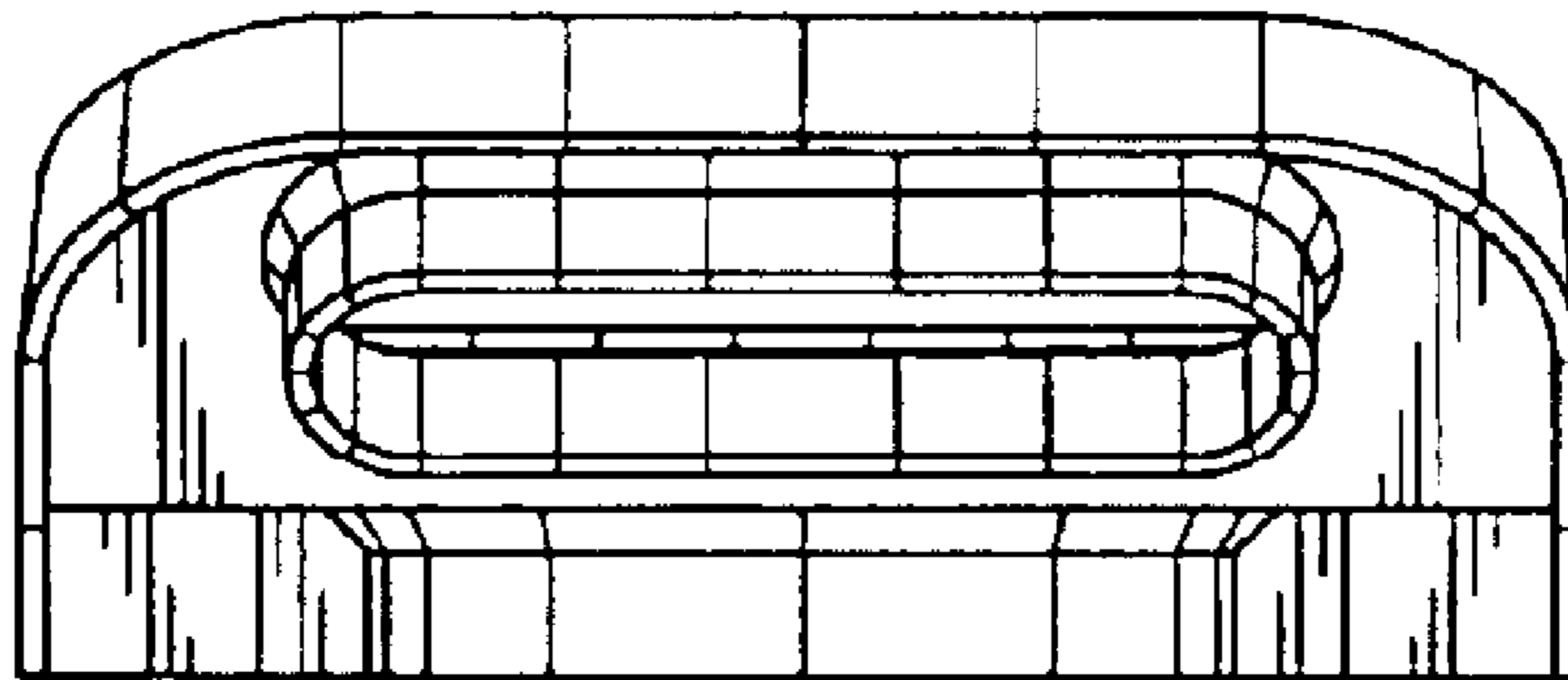
**FIG. 4**



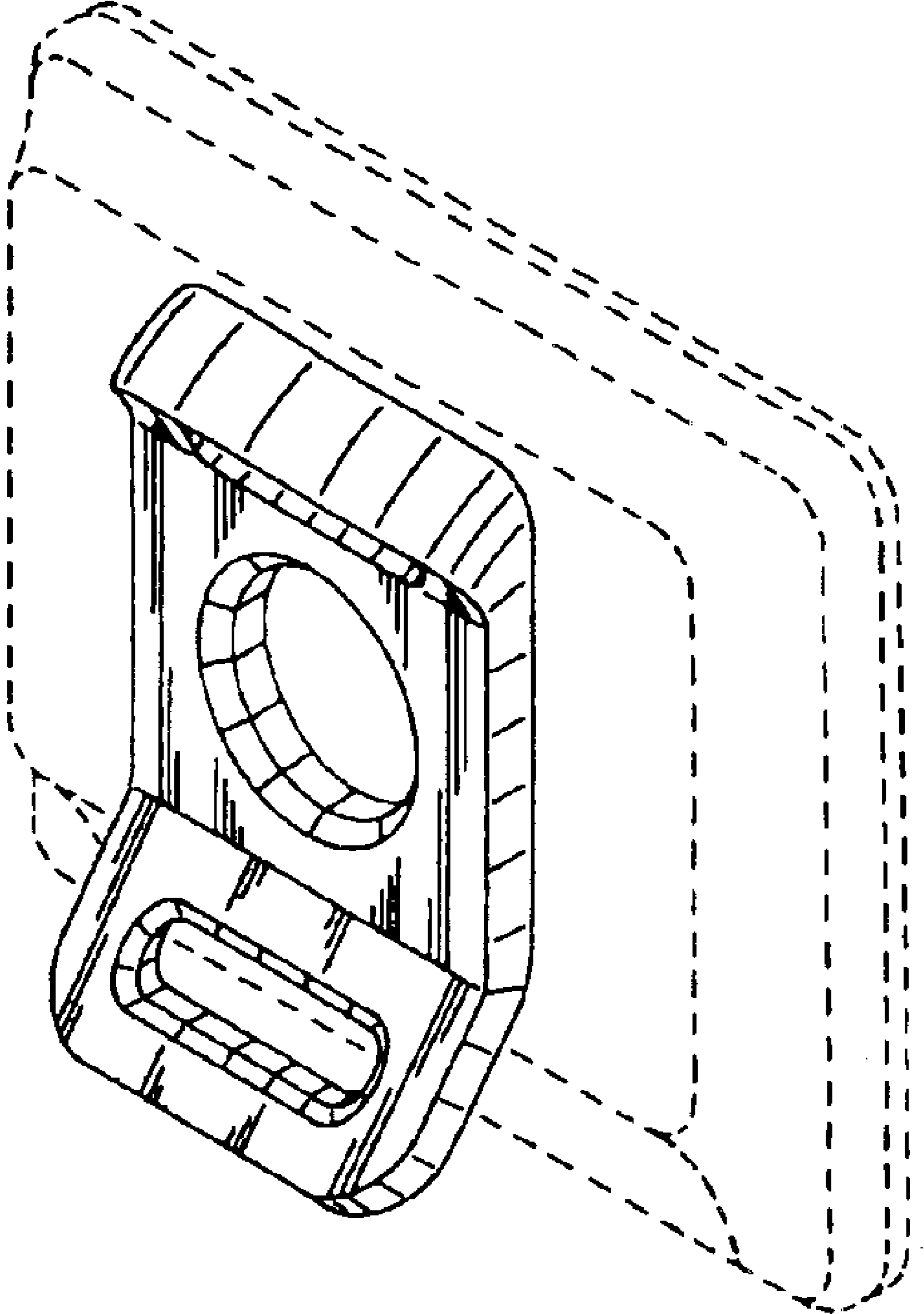
**FIG. 5**



**FIG. 6**



**FIG. 7**



**FIG. 8**