



US00D511958S

(12) **United States Design Patent**  
**Mastrogiovanni**

(10) **Patent No.: US D511,958 S**

(45) **Date of Patent: \*\* Nov. 29, 2005**

(54) **CHAIN DOOR LOCK**

(76) **Inventor: Marco Mastrogiovanni**, 37 Mead Farm Rd., Seymour, CT (US) 06483

(\*\*) **Term: 14 Years**

(21) **Appl. No.: 29/212,336**

(22) **Filed: Aug. 30, 2004**

(51) **LOC (8) Cl. .... 08-07**

(52) **U.S. Cl. .... D8/340; D8/330**

(58) **Field of Search .... D8/339-341, 330, D8/332, 343; 292/32, 33, 137, 262, 264, 289, 340, 346; 70/52.1, 51, 141, 145, 258, 465**

(56) **References Cited**

**U.S. PATENT DOCUMENTS**

3,275,364 A	*	9/1966	Quinn	292/264
D210,157 S	*	2/1968	Gilbert	D8/332
D217,423 S	*	5/1970	Thompson	D8/330
D226,515 S	*	3/1973	Bobrowski	D8/340
D229,163 S	*	11/1973	Bobrowski	D8/340
D229,944 S	*	1/1974	Bobrowski	D14/253
3,788,107 A	*	1/1974	Lippman	70/93
D233,976 S	*	12/1974	Ridgway	D8/341
4,105,231 A	*	8/1978	Huyssen	292/264
4,136,898 A	*	1/1979	Guenther	292/57

4,363,227 A	*	12/1982	Lo	70/144
D286,133 S	*	10/1986	Dryburgh et al.	D8/341
4,648,641 A	*	3/1987	Foster	292/264
D320,338 S	*	10/1991	Mastrogiovanni	D8/331
5,285,666 A	*	2/1994	Bartnicki	70/93
5,551,739 A	*	9/1996	Solis	292/264

\* cited by examiner

*Primary Examiner*—Prabhakar Deshmukh

(74) *Attorney, Agent, or Firm*—The Patent Source

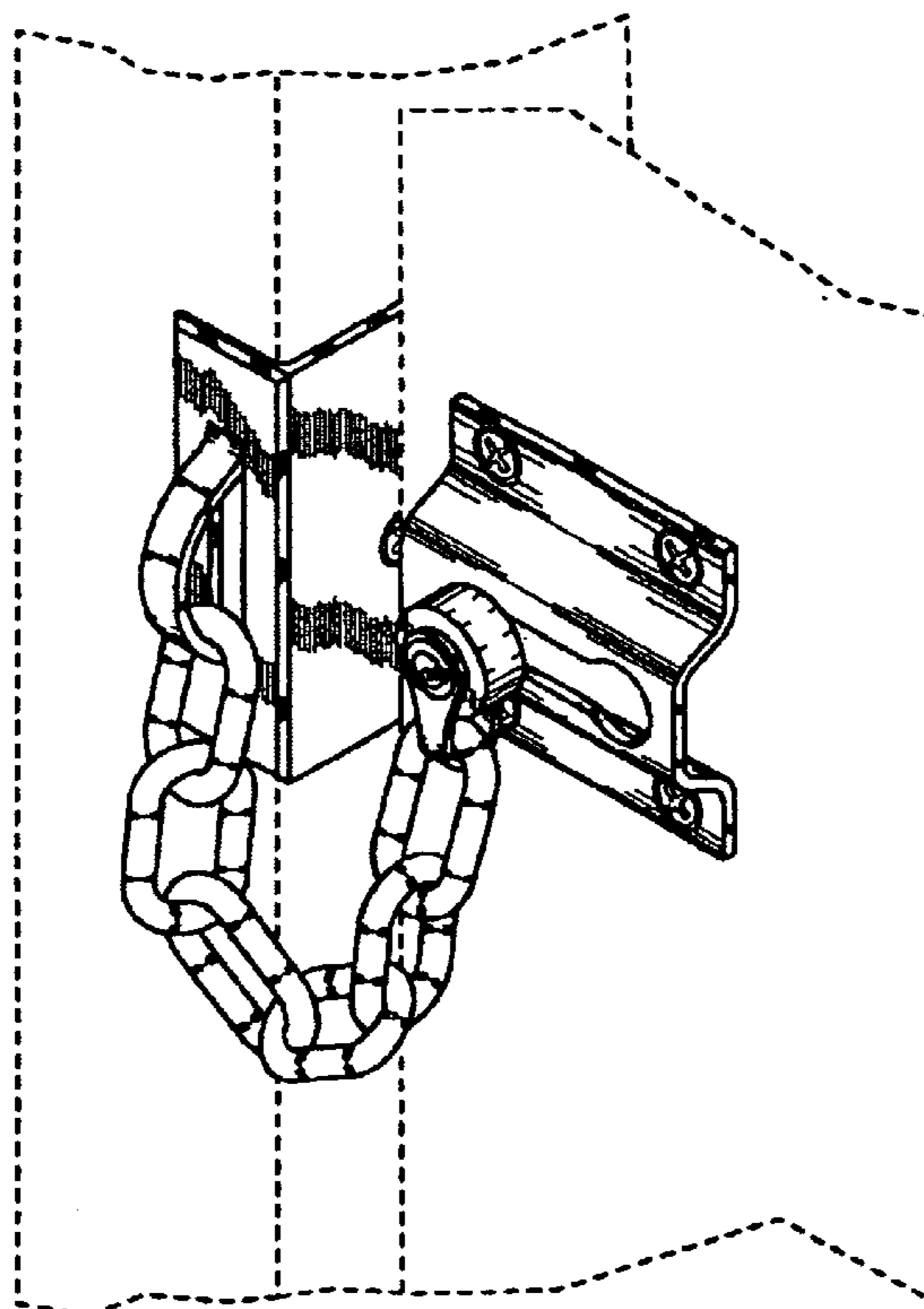
(57) **CLAIM**

The ornamental design for a chain door lock, as shown and described.

**DESCRIPTION**

FIG. 1 is a perspective view of a chain door lock showing my new design in an unlatched condition; FIG. 2 is a left side elevational view thereof; FIG. 3 is a right side elevational view thereof; FIG. 4 is a top plan view thereof; FIG. 5 is a bottom plan view thereof; FIG. 6 is a front elevational view thereof; and, FIG. 7 is a perspective view of the chain door lock of FIGS. 1-6 shown in a latched condition, the broken-line showing a fragment of a door and frame being for illustrative purposes only and forming no part of the claimed design.

**1 Claim, 5 Drawing Sheets**



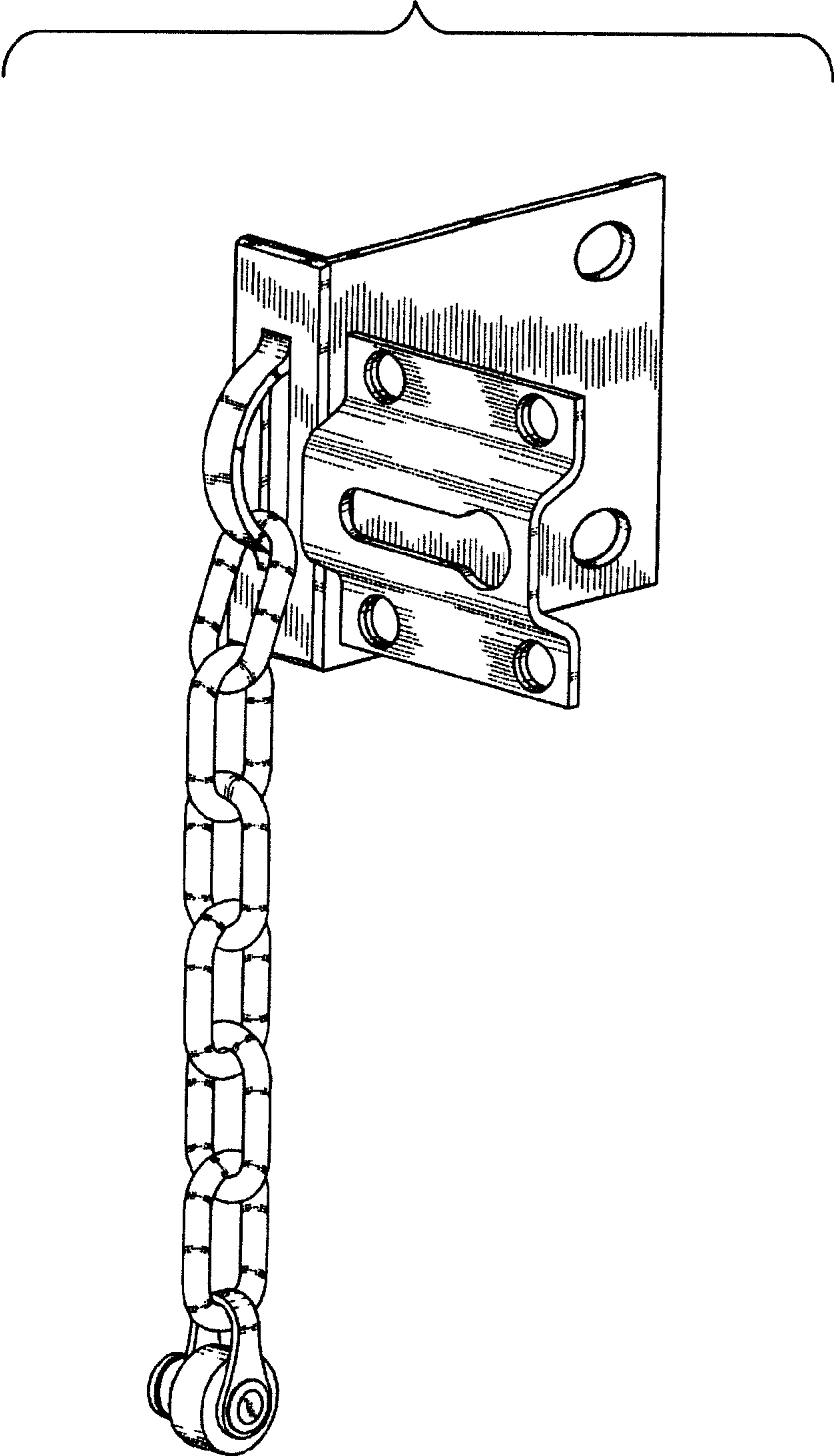


FIG. 1

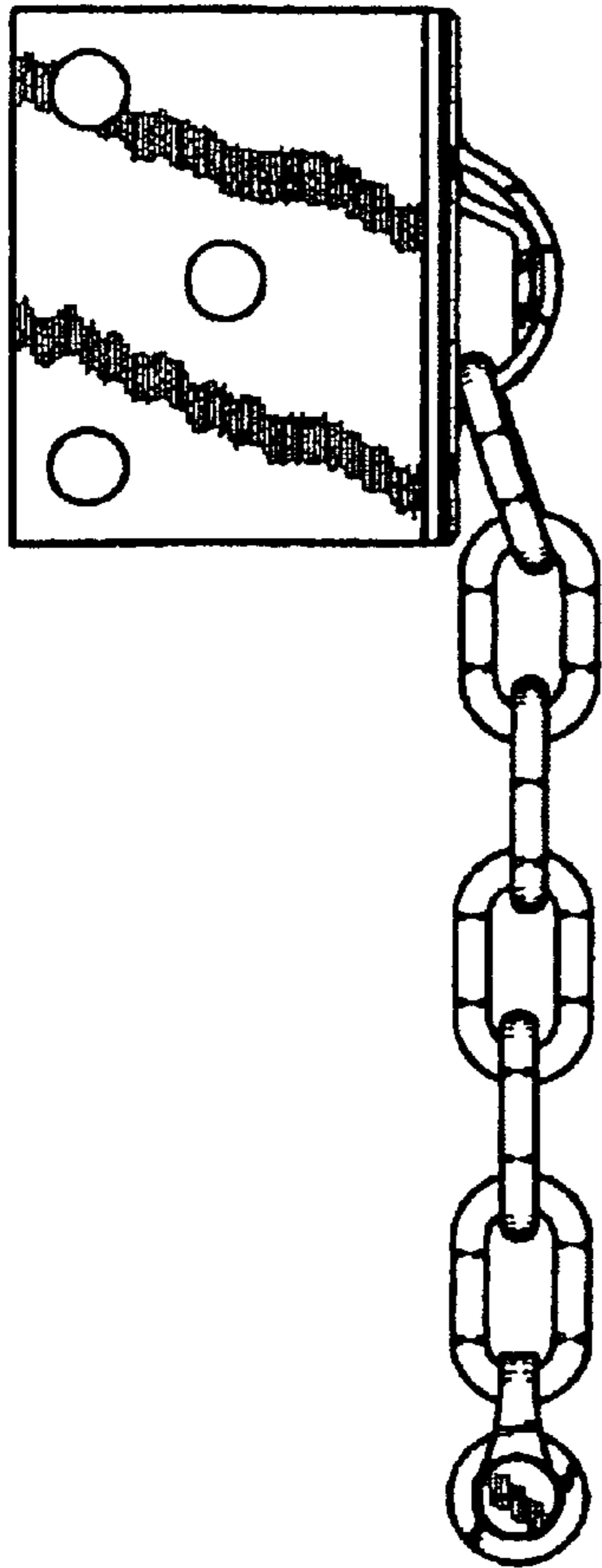


FIG. 2

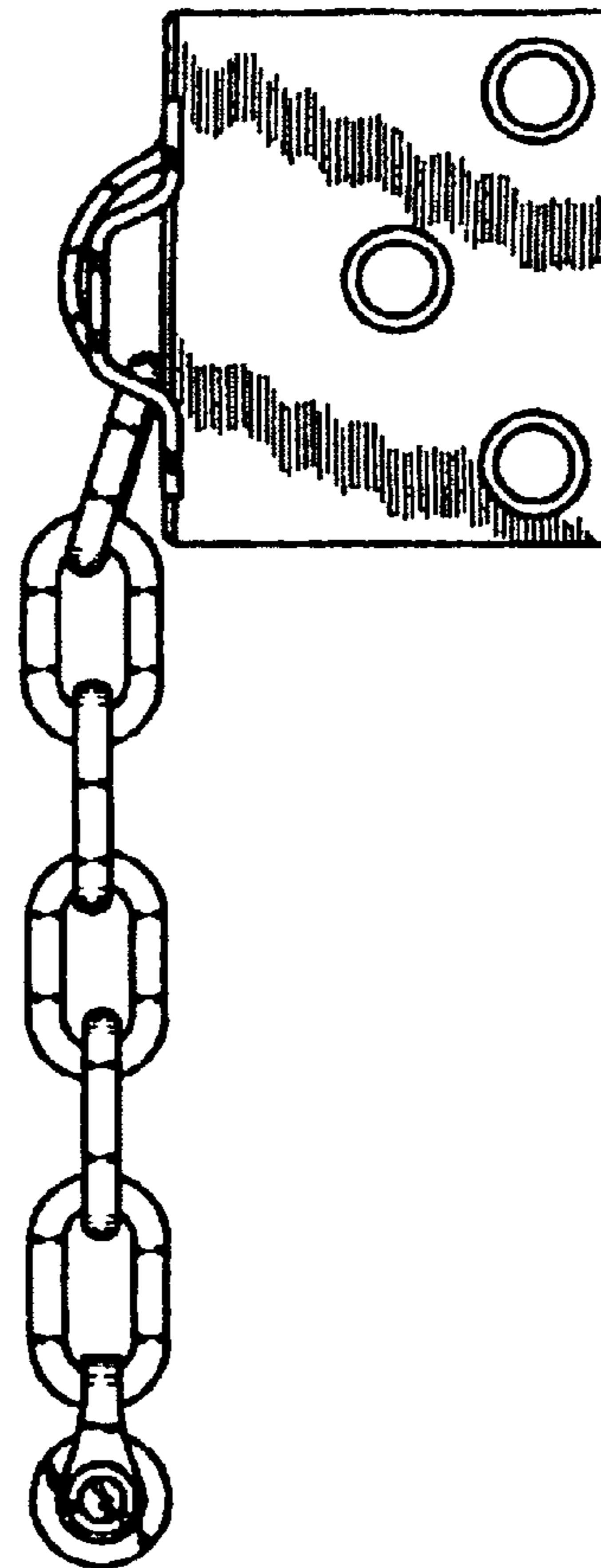


FIG. 3

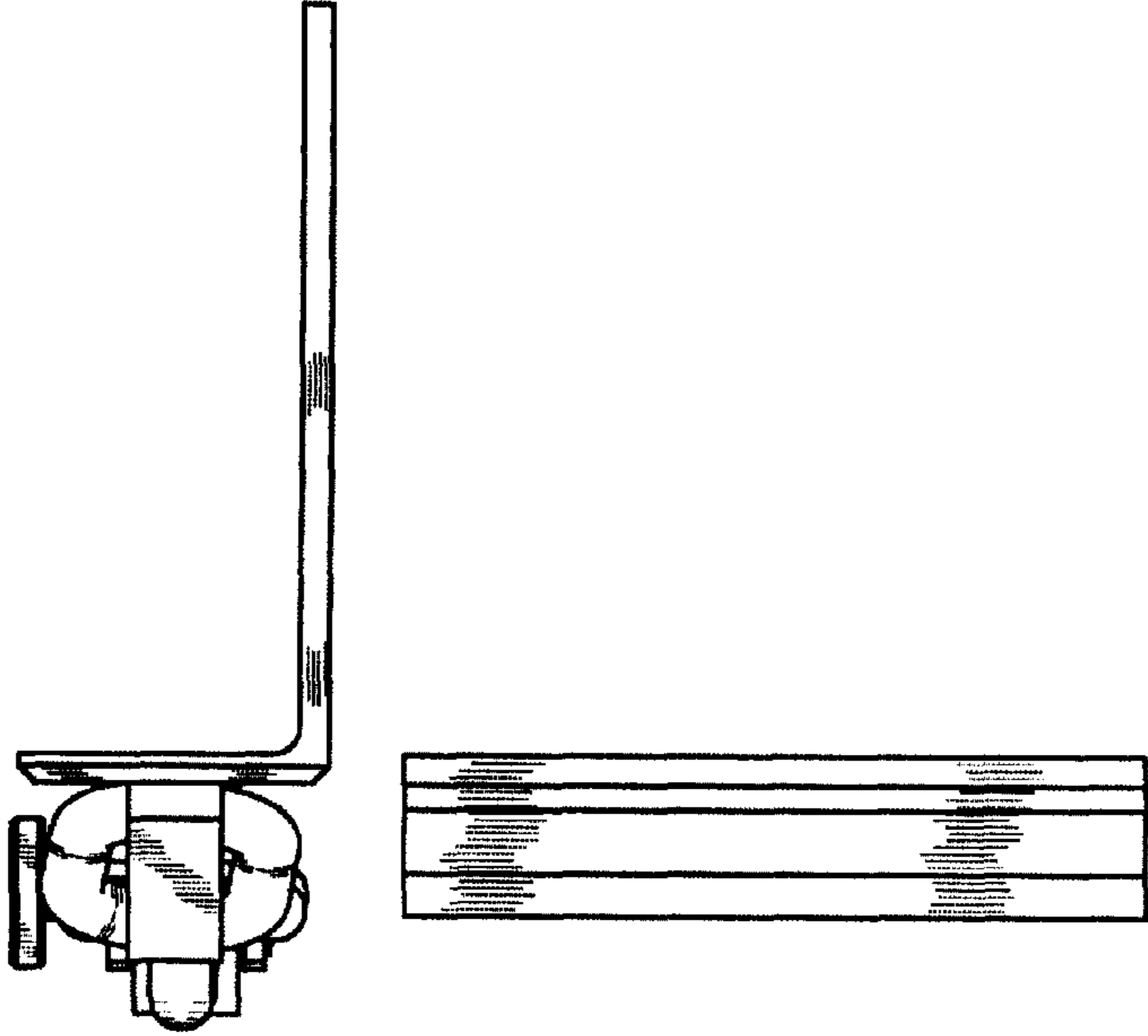


FIG. 4

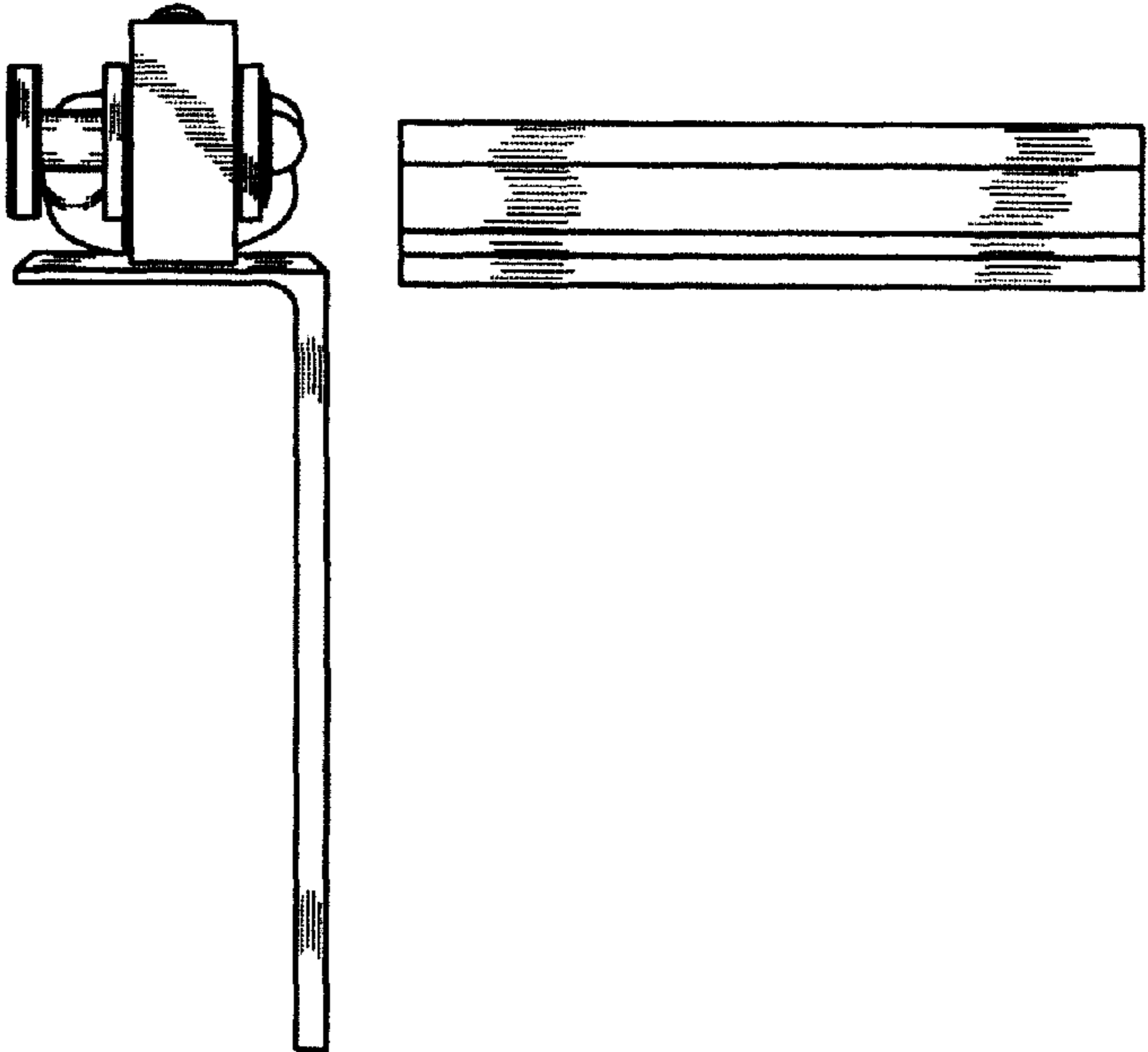
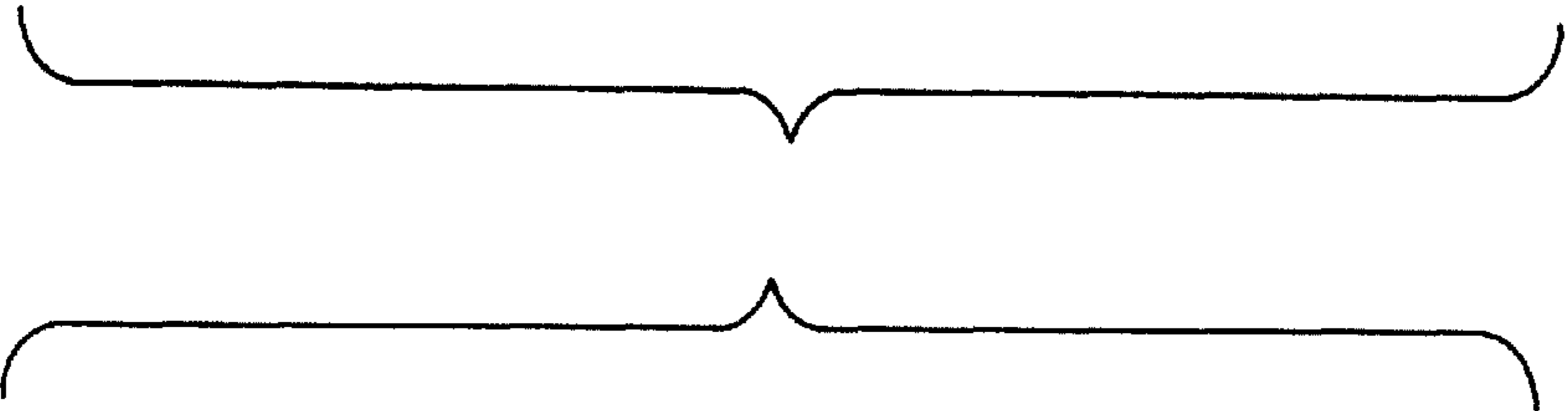


FIG. 5

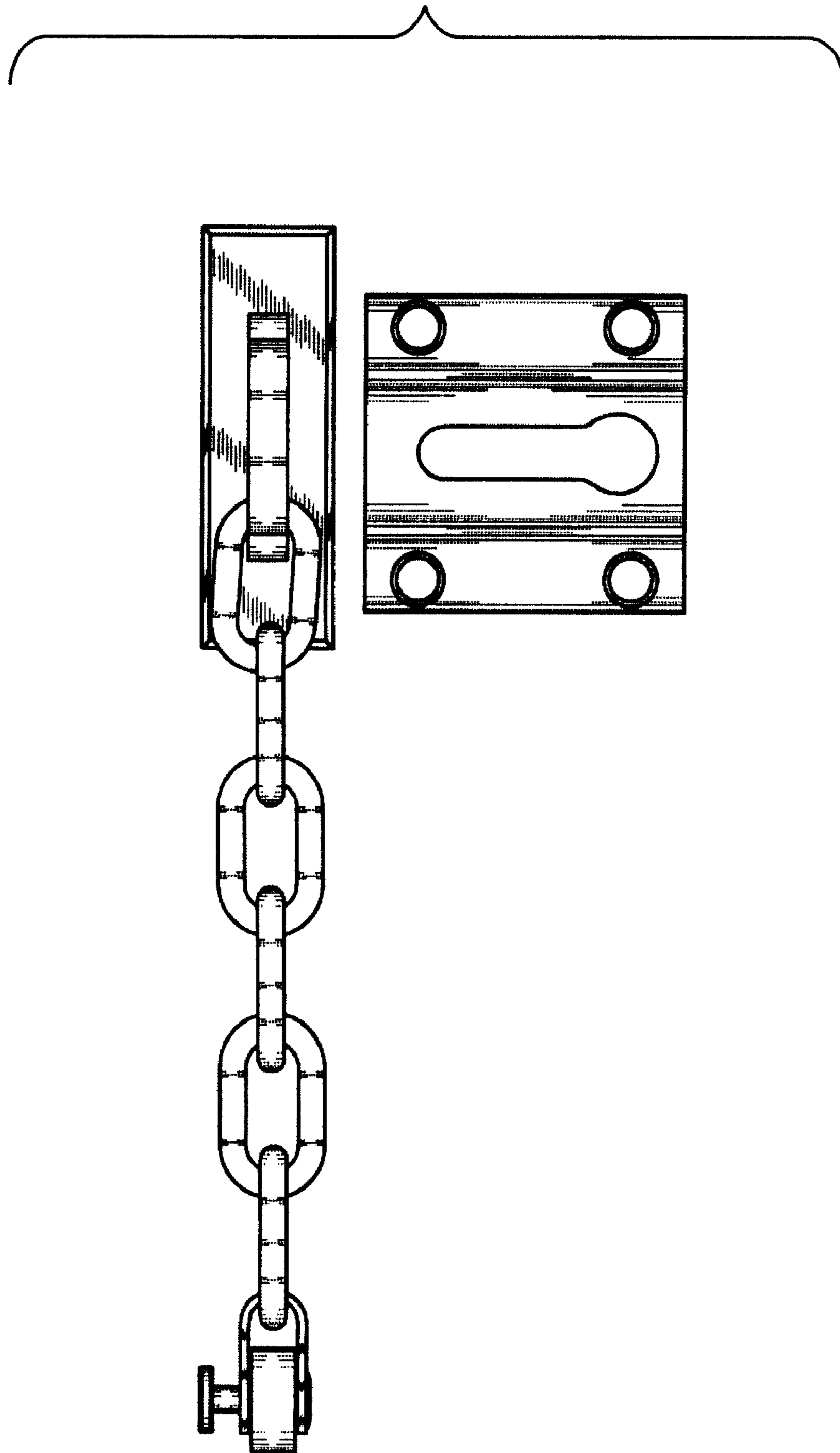


FIG. 6

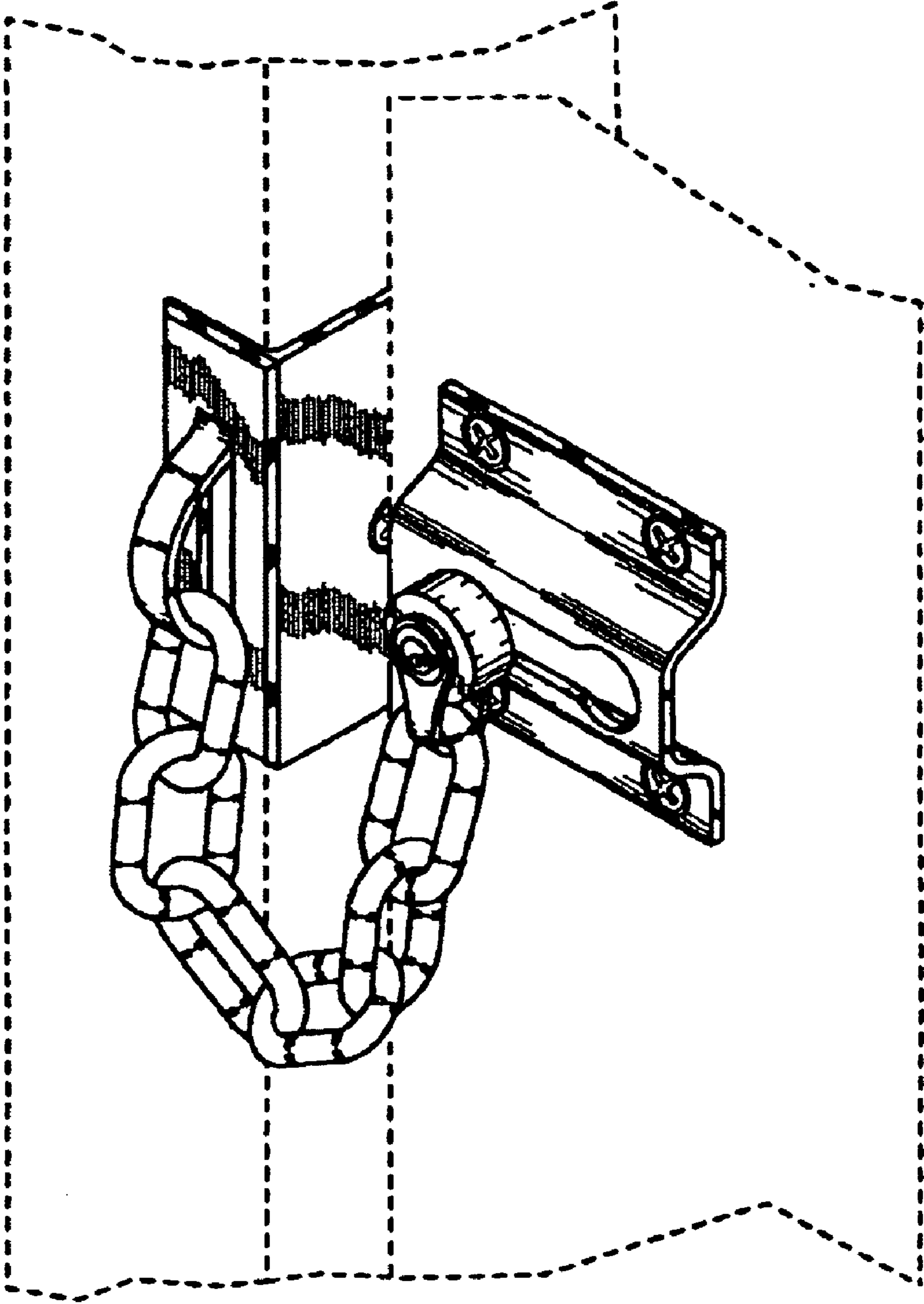


FIG. 7