



US00D511954S

(12) **United States Design Patent**  
**Heun**

(10) **Patent No.: US D511,954 S**

(45) **Date of Patent: \*\* Nov. 29, 2005**

(54) **GRINDER ATTACHMENT**

(75) **Inventor: Ping Hay Heun, Aberdeen (HK)**

(73) **Assignee: Choon Nang Electrical Appliance Mfy., Ltd., Aberdeen (CN)**

(\*\*) **Term: 14 Years**

(21) **Appl. No.: 29/209,055**

(22) **Filed: Jul. 9, 2004**

(30) **Foreign Application Priority Data**

Jun. 11, 2004 (EM) ..... 000188644

(51) **LOC (8) Cl. .... 08-01**

(52) **U.S. Cl. .... D8/62**

(58) **Field of Search** ..... D8/61, 62, 70;  
173/170, 171, 217; 310/50; 451/344, 351,  
353, 354, 355, 356, 357, 358, 359, 451,  
456; 81/54, 474

(56) **References Cited**

**U.S. PATENT DOCUMENTS**

- D374,386 S \* 10/1996 Bosten et al. .... D8/62
- 5,626,510 A \* 5/1997 Bergner et al. .... 451/357
- D404,273 S \* 1/1999 Somers ..... D8/62
- D413,245 S \* 8/1999 Robson ..... D8/70
- 6,004,194 A \* 12/1999 Hild et al. .... 451/357
- D435,768 S \* 1/2001 Duffy ..... D8/62

- D447,038 S \* 8/2001 Netzler ..... D8/70
- D447,397 S \* 9/2001 Netzler ..... D8/62
- 6,316,890 B1 \* 11/2001 Gmeilbauer ..... 318/280
- D453,460 S \* 2/2002 Lui ..... D8/62
- D459,965 S \* 7/2002 Pretzell ..... D8/62
- D494,434 S \* 8/2004 Sun et al. .... D8/62
- 2005/0009458 A1 \* 1/2005 Uzumcu et al. .... 451/359

\* cited by examiner

*Primary Examiner*—Jeffrey Asch

*Assistant Examiner*—Elizabeth Albert

(74) *Attorney, Agent, or Firm*—Alix, Yale & Ristas, LLP

(57) **CLAIM**

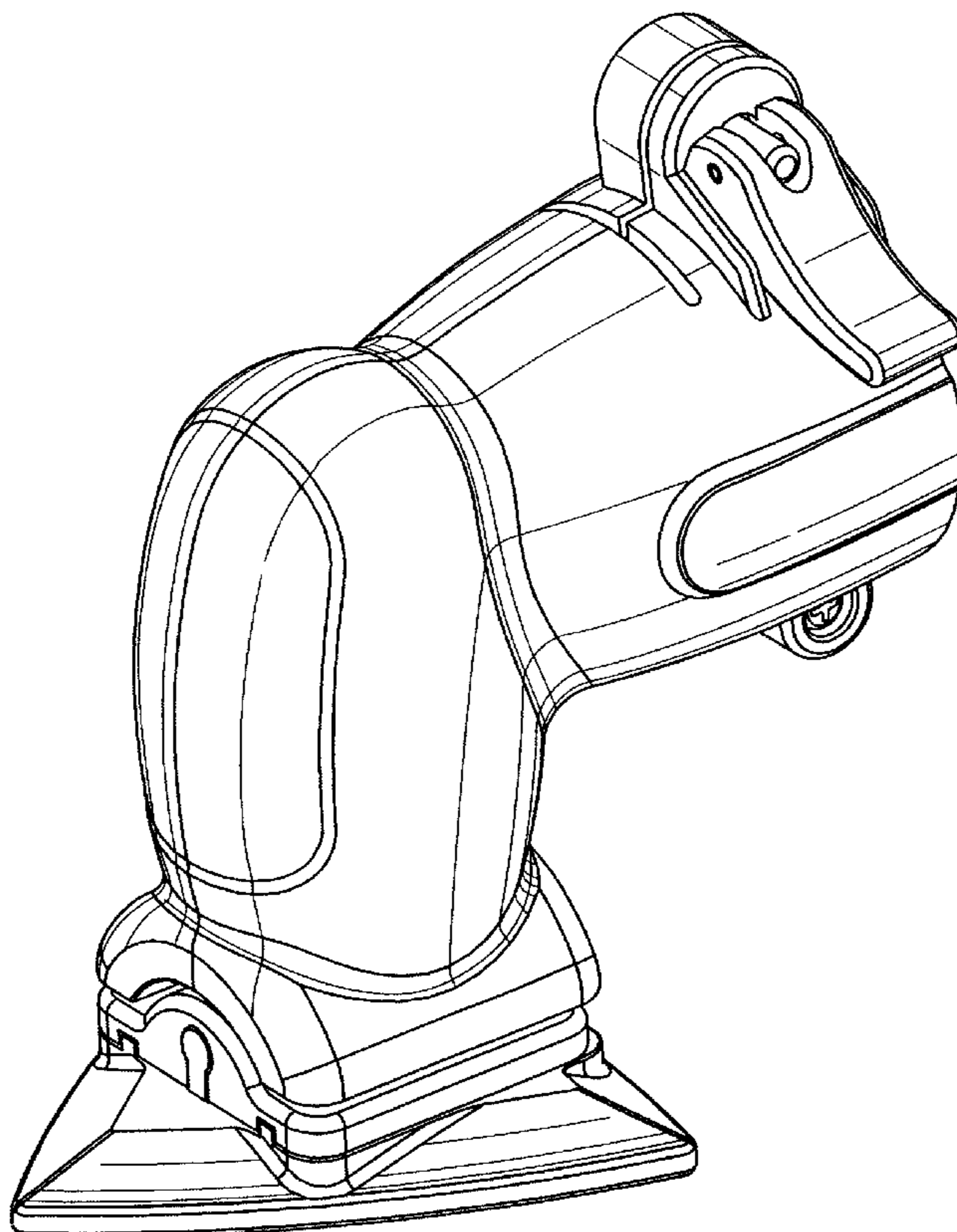
The ornamental design for a grinder attachment, as shown and described.

**DESCRIPTION**

FIG. 1 is a front, right side and top perspective view of a grinder attachment showing my new design;  
 FIG. 2 is a rear, left side and top perspective view thereof;  
 FIG. 3 is a left side elevational view thereof;  
 FIG. 4 is a front side elevational view thereof;  
 FIG. 5 is a rear side elevational view thereof;  
 FIG. 6 is a top plan view thereof; and,  
 FIG. 7 is a bottom plan view thereof.

The broken lines shown in the drawing are for illustrative purposes only and form no part of the claimed design.

**1 Claim, 5 Drawing Sheets**



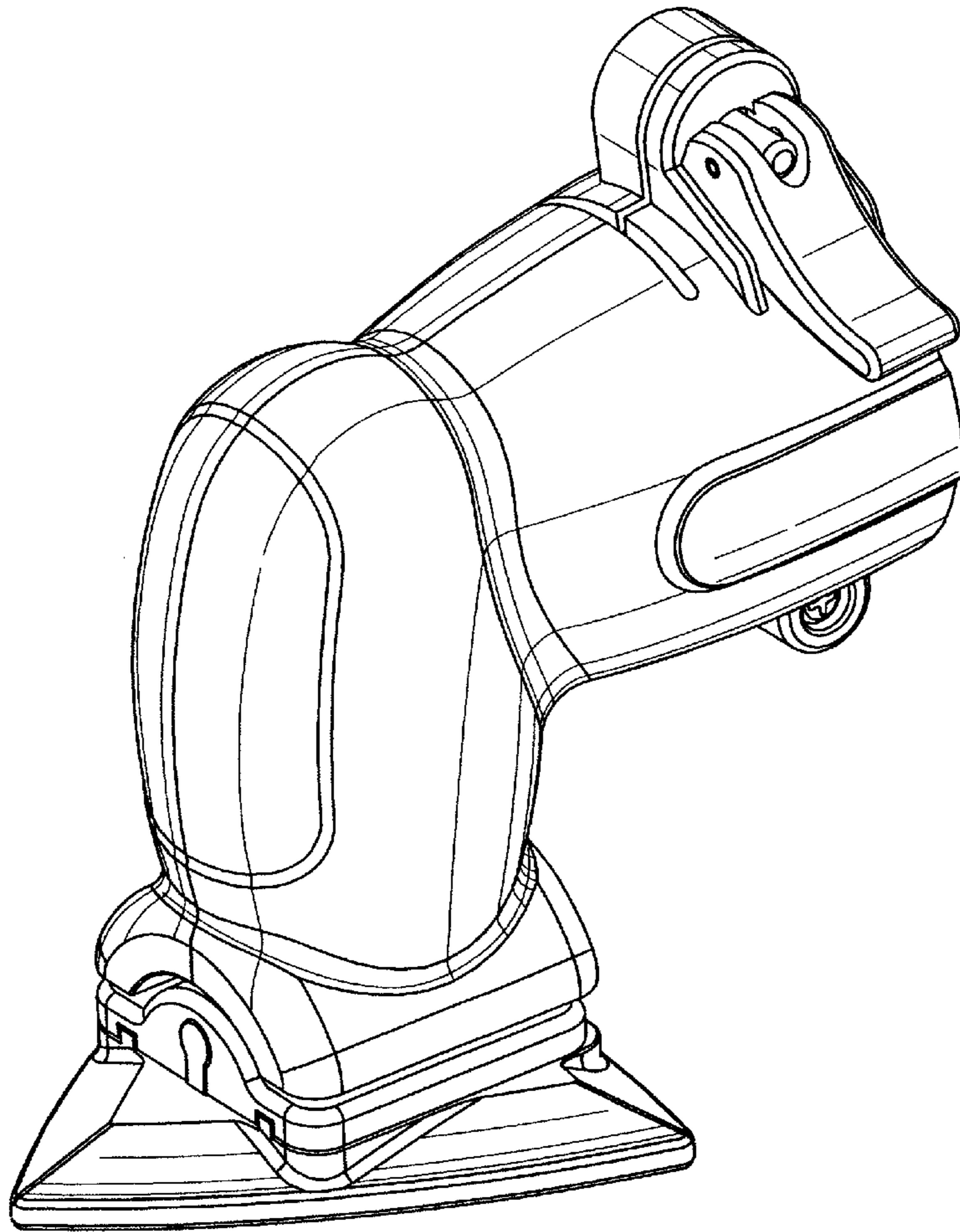


FIG. 1

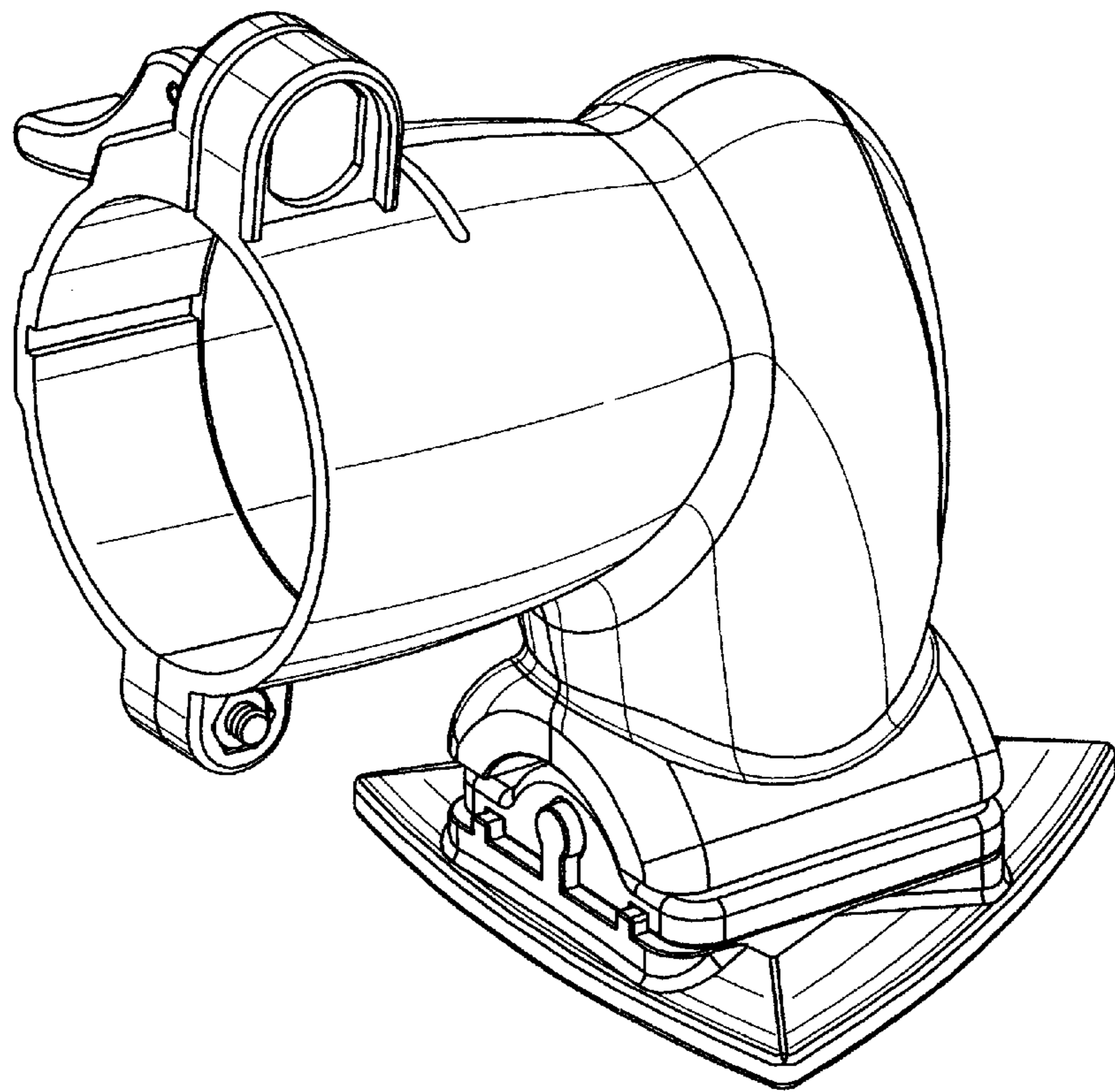


FIG. 2

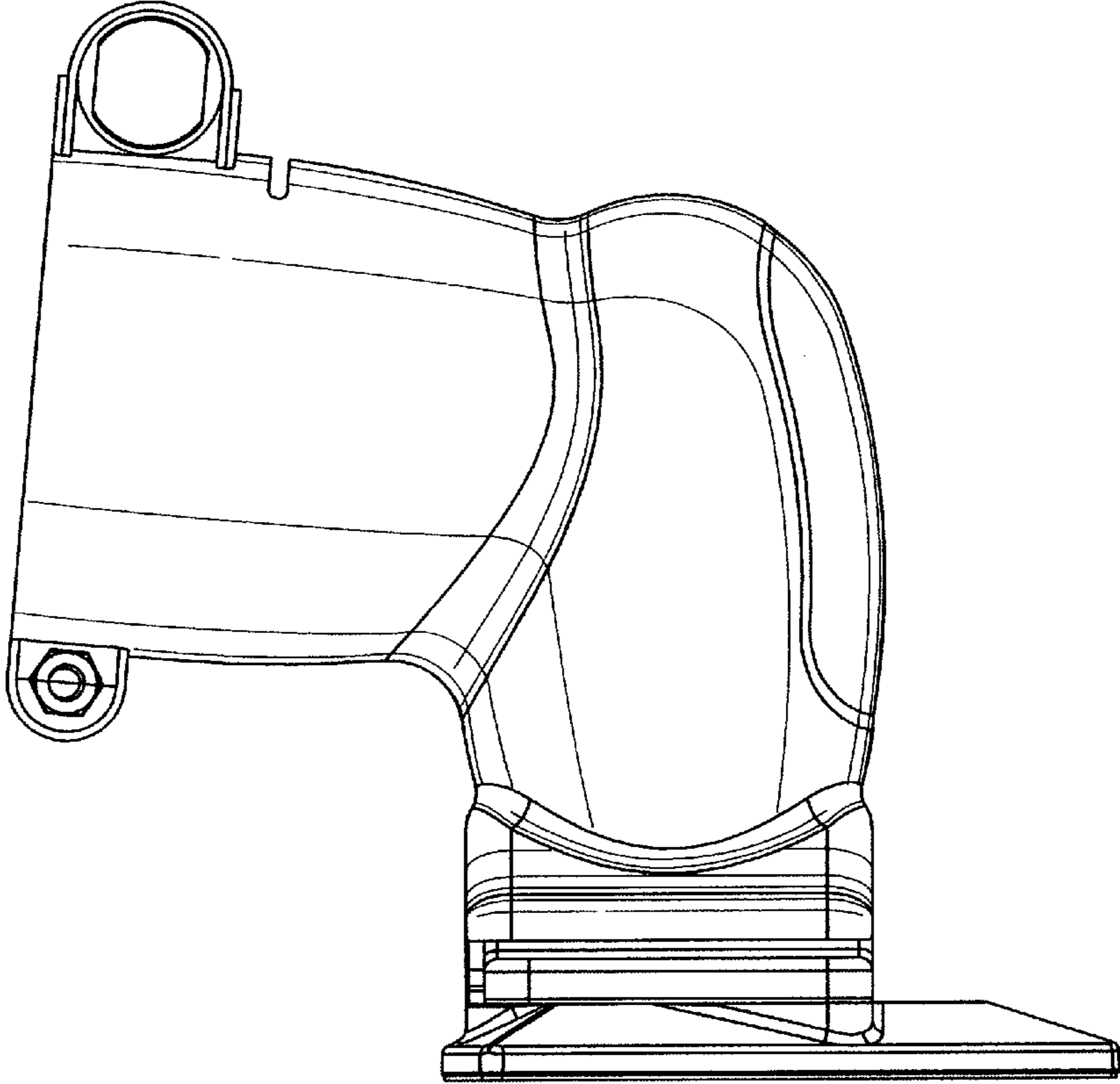


FIG. 3

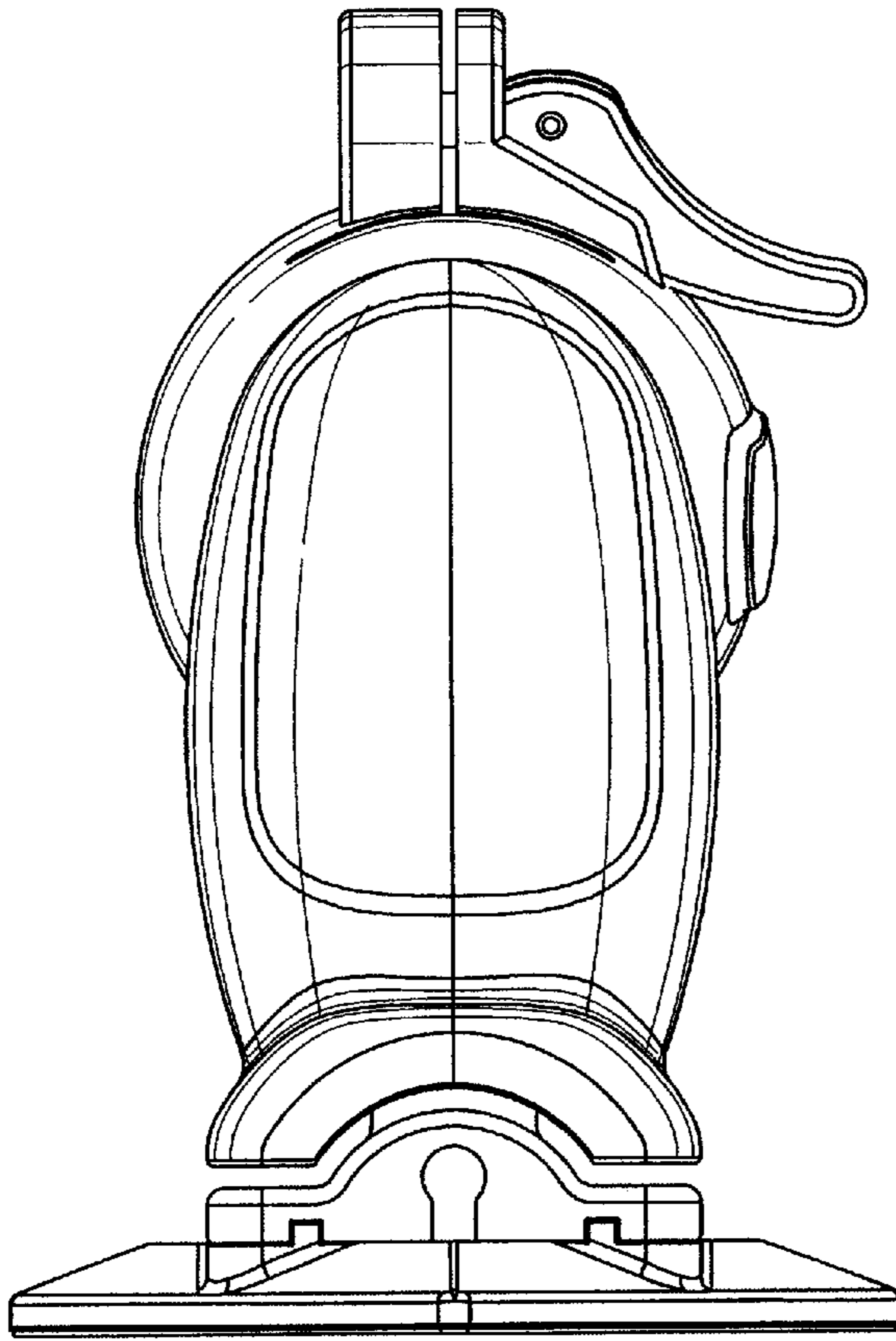


FIG. 4

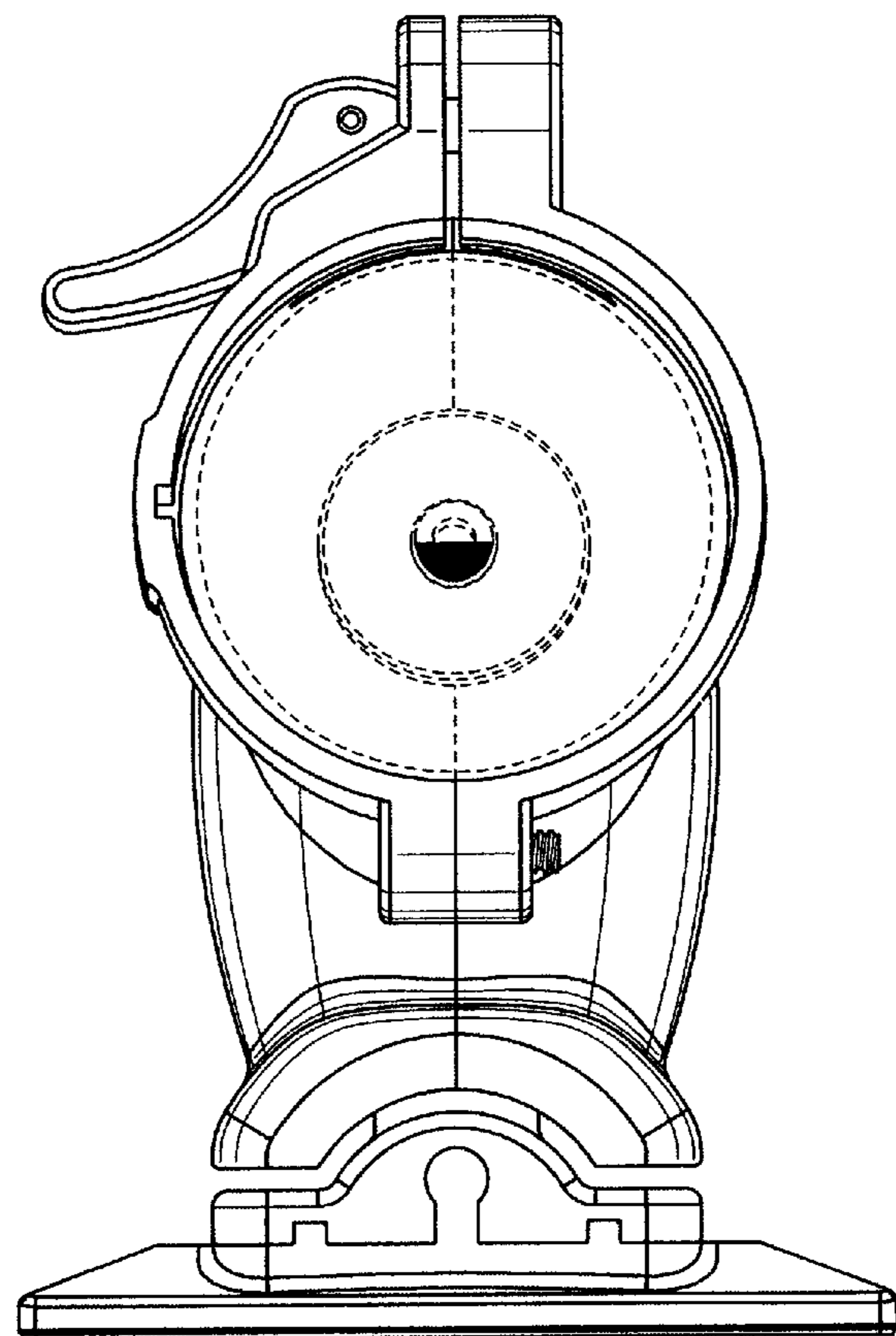


FIG. 5

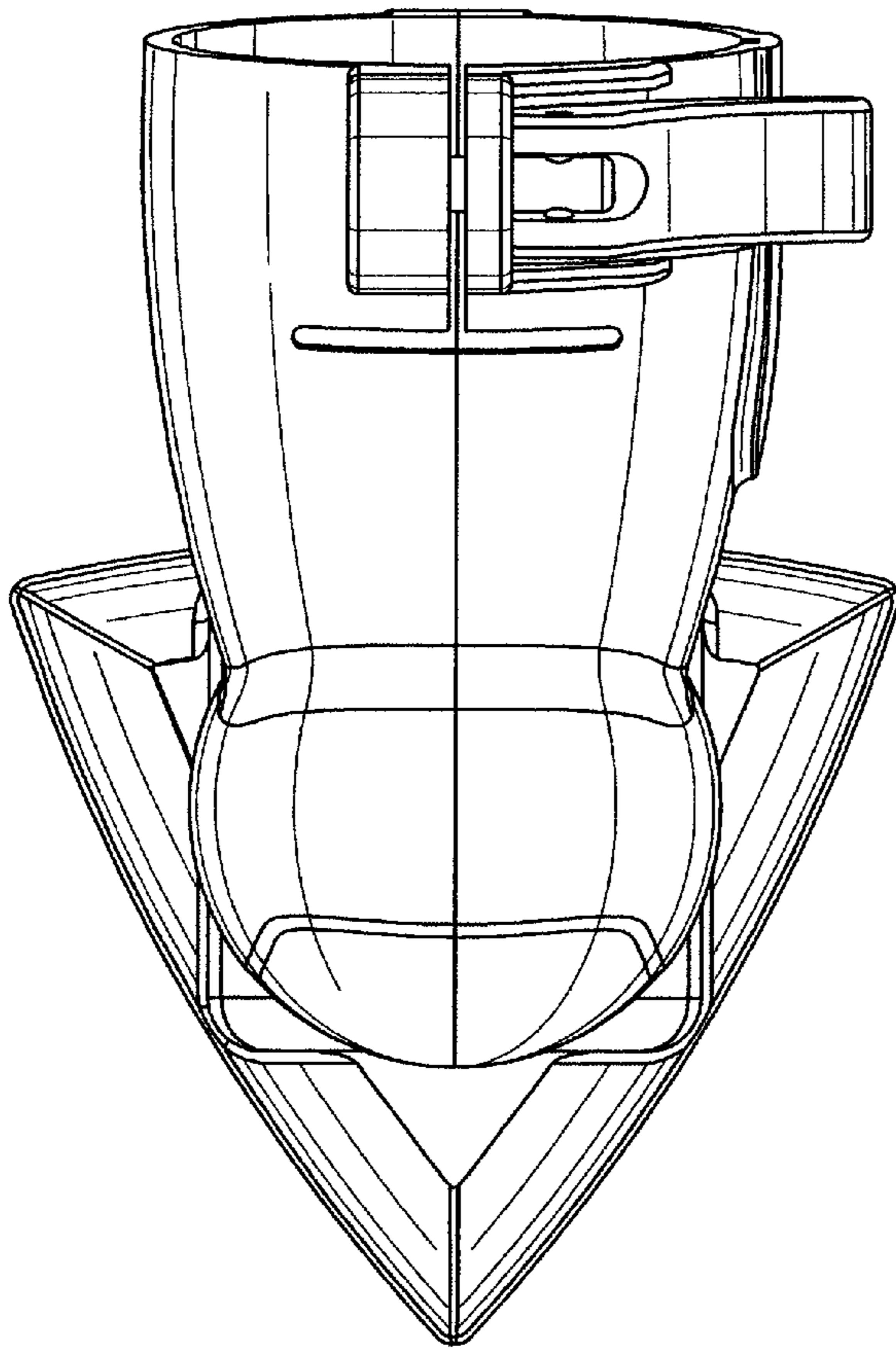


FIG. 6

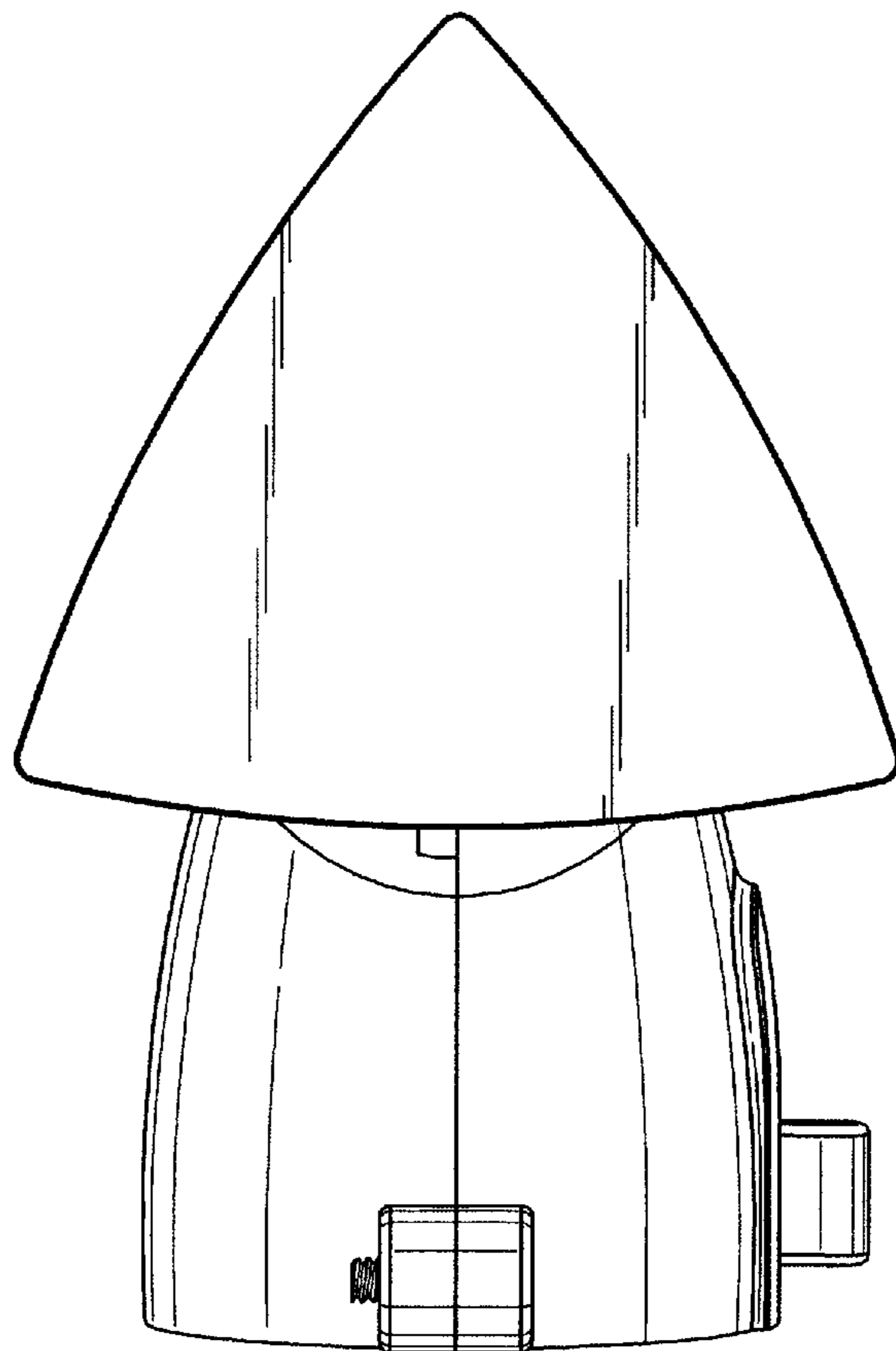


FIG. 7