



US00D511952S

(12) **United States Design Patent**
Wright

(10) **Patent No.:** **US D511,952 S**

(45) **Date of Patent:** **** Nov. 29, 2005**

(54) **POWER TOOL**

(75) Inventor: **Stuart J. Wright**, Timonium, MD (US)

(73) Assignee: **Black & Decker Inc.**, Newark, DE (US)

(**) Term: **14 Years**

(21) Appl. No.: **29/185,619**

(22) Filed: **Jun. 30, 2003**

Related U.S. Application Data

(63) Continuation of application No. 29/160,654, filed on May 14, 2002, now Pat. No. Des. 479,679.

(51) **LOC (8) Cl.** **08-01**

(52) **U.S. Cl.** **D8/62**

(58) **Field of Search** D8/61, 62, 67, D8/69, 107, 300, DIG. 7, DIG. 8; D4/102; 16/110.1; 173/168, 169, 170, 217; 310/50; 451/344, 351, 356, 357, 358, 359, 451

(56) **References Cited**

U.S. PATENT DOCUMENTS

3,899,852 A	*	8/1975	Batson	451/359
D255,417 S	*	6/1980	Sakamoto et al.	D8/62
4,489,525 A	*	12/1984	Heck	451/344
D297,907 S	*	10/1988	Hoshimo et al.	D8/62
5,207,028 A	*	5/1993	Timmons	451/359
5,333,414 A	*	8/1994	Lee	451/355
5,468,176 A	*	11/1995	Udert et al.	451/359
5,609,516 A	*	3/1997	Courson et al.	451/359
D396,175 S	*	7/1998	Chung	D8/62
D408,244 S	*	4/1999	Price	D8/62
6,241,594 B1	*	6/2001	Lepold	451/359
D450,989 S	*	11/2001	Schoen	D8/62
D453,098 S	*	1/2002	Pretzell	D8/62

D453,288 S	*	2/2002	Lui	D8/62
6,464,573 B1	*	10/2002	Keller	451/451
6,527,630 B2	*	3/2003	Mannsperger et al.		

* cited by examiner

Primary Examiner—Joel A. Sincavage

Assistant Examiner—Elizabeth Albert

(74) *Attorney, Agent, or Firm*—Adan Ayala

(57) **CLAIM**

The ornamental design for a power tool, as shown and described.

DESCRIPTION

FIG. 1 is a rear perspective view from the left side of a first embodiment of a power tool showing our new design.

FIG. 2 is a front elevational view of the first embodiment.

FIG. 3 is a rear elevational view of the first embodiment.

FIG. 4 is a right side elevational view of the first embodiment.

FIG. 5 is a left side elevational view of the first embodiment.

FIG. 6 is a top plan view of the first embodiment.

FIG. 7 is a bottom plan view of the first embodiment.

FIG. 8 is a rear perspective view from the left side of a second embodiment of a power tool showing our new design.

FIG. 9 is a front elevational view of the second embodiment.

FIG. 10 is a rear elevational view of the second embodiment.

FIG. 11 is a right side elevational view of the second embodiment.

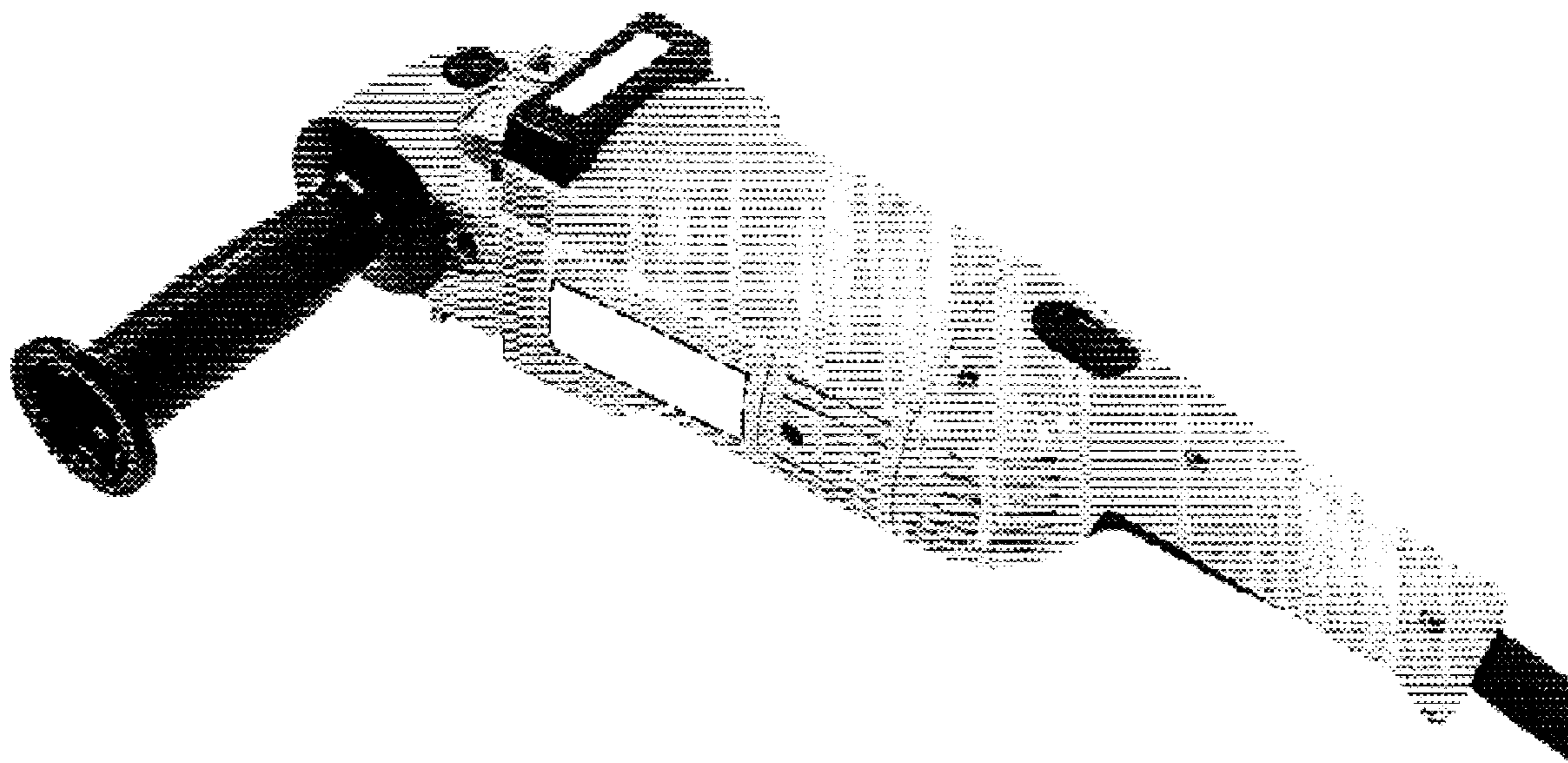
FIG. 12 is a left side elevational view of the second embodiment.

FIG. 13 is a top plan view of the second embodiment; and,

FIG. 14 is a bottom plan view of the second embodiment.

The broken lines that define the bounds of the claimed design form no part thereof.

1 Claim, 14 Drawing Sheets



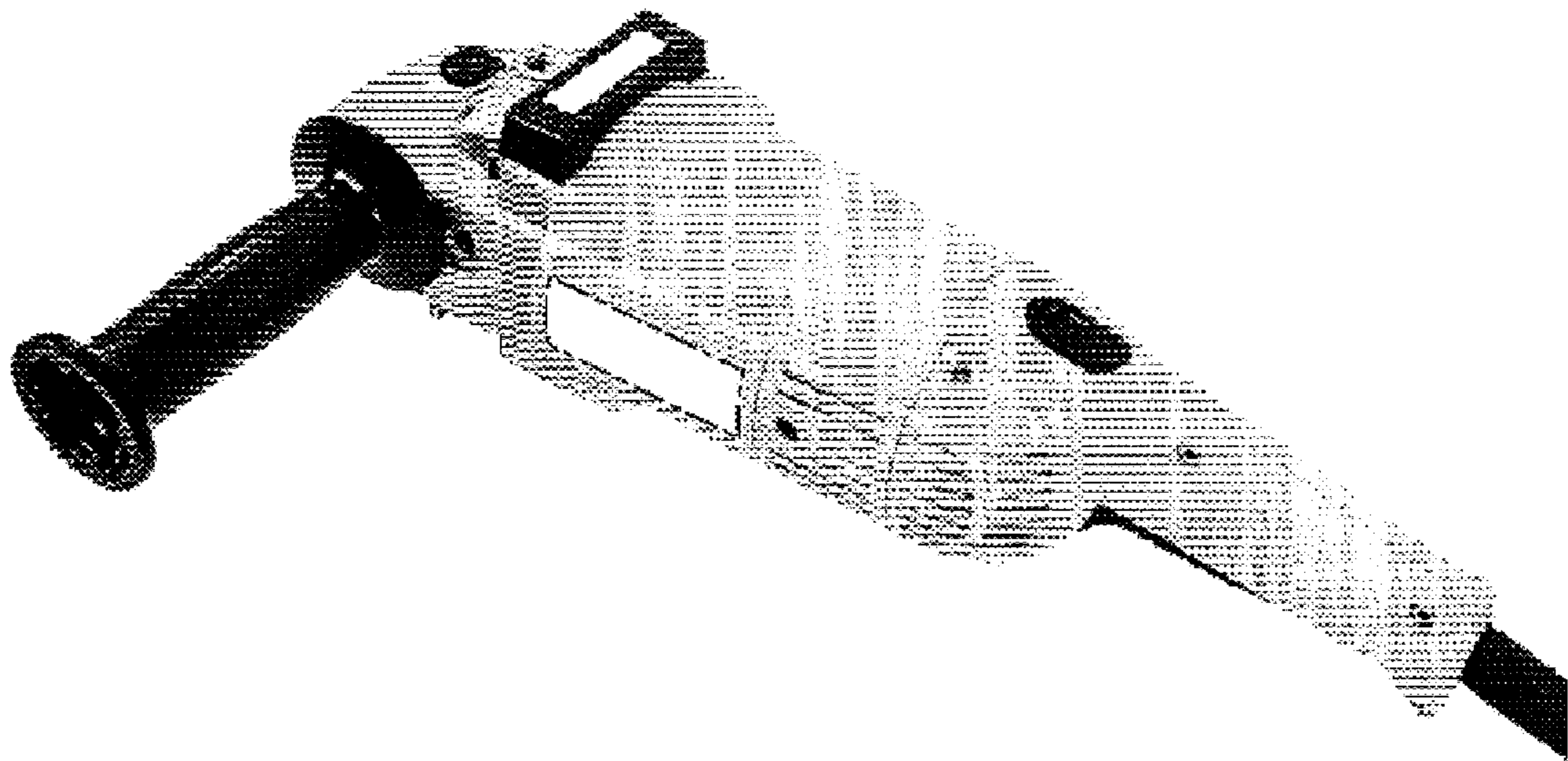


FIG. 1

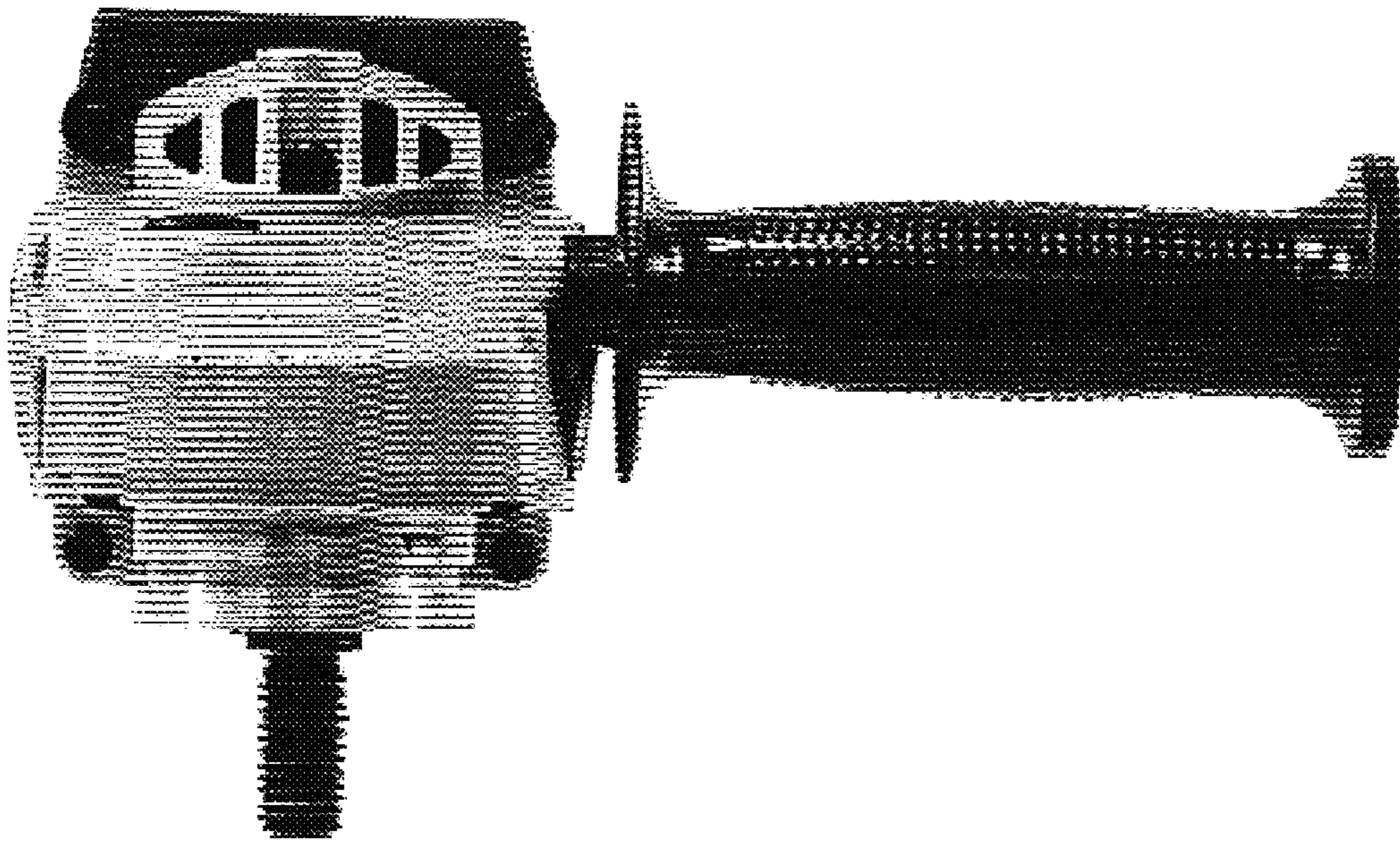


FIG. 2

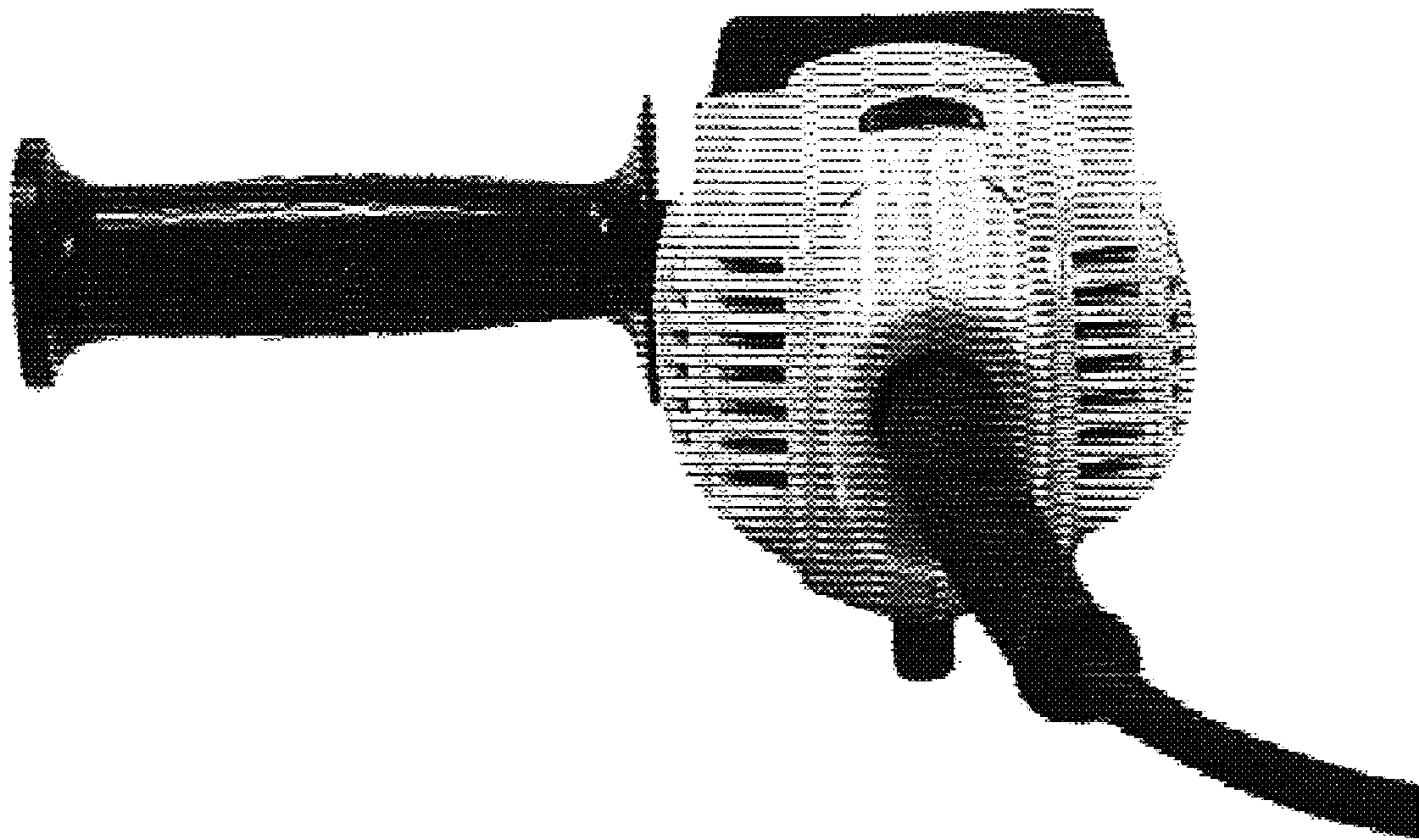


FIG. 3

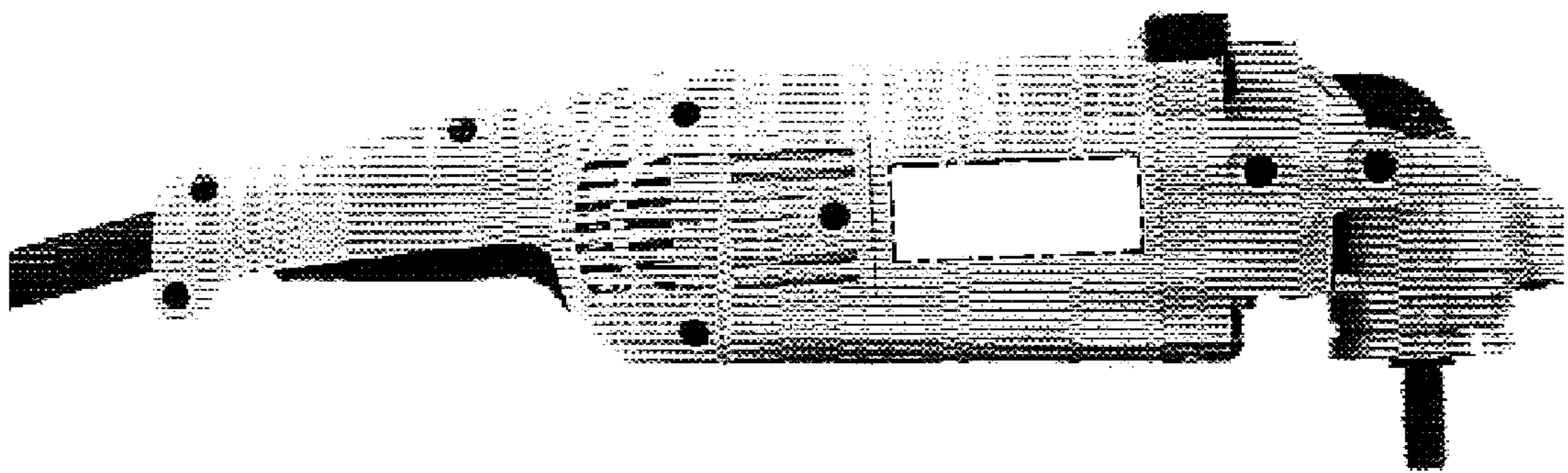


FIG. 4

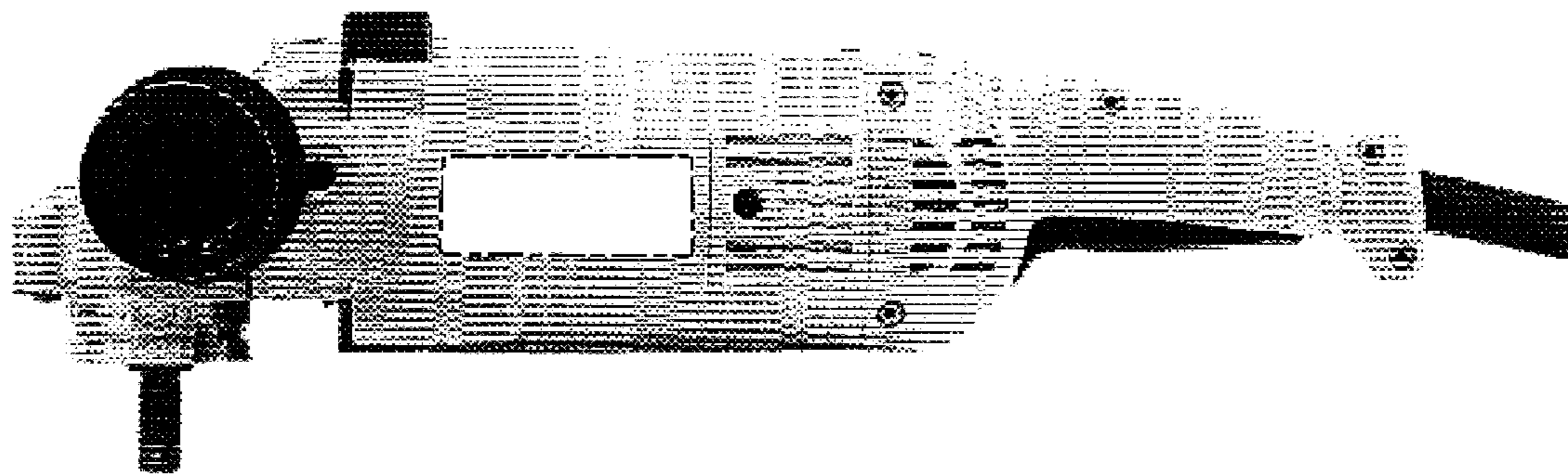


FIG. 5

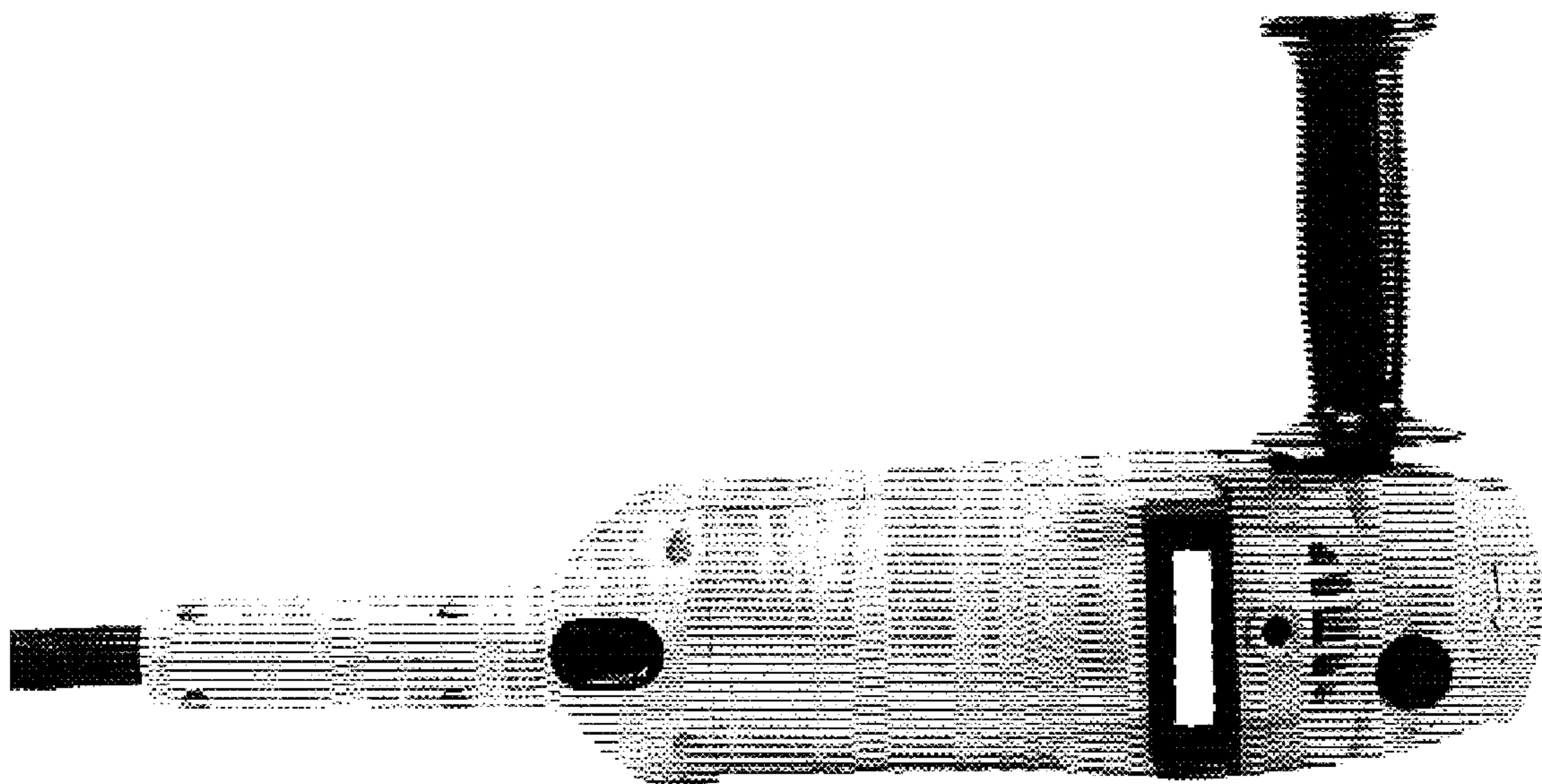


FIG. 6

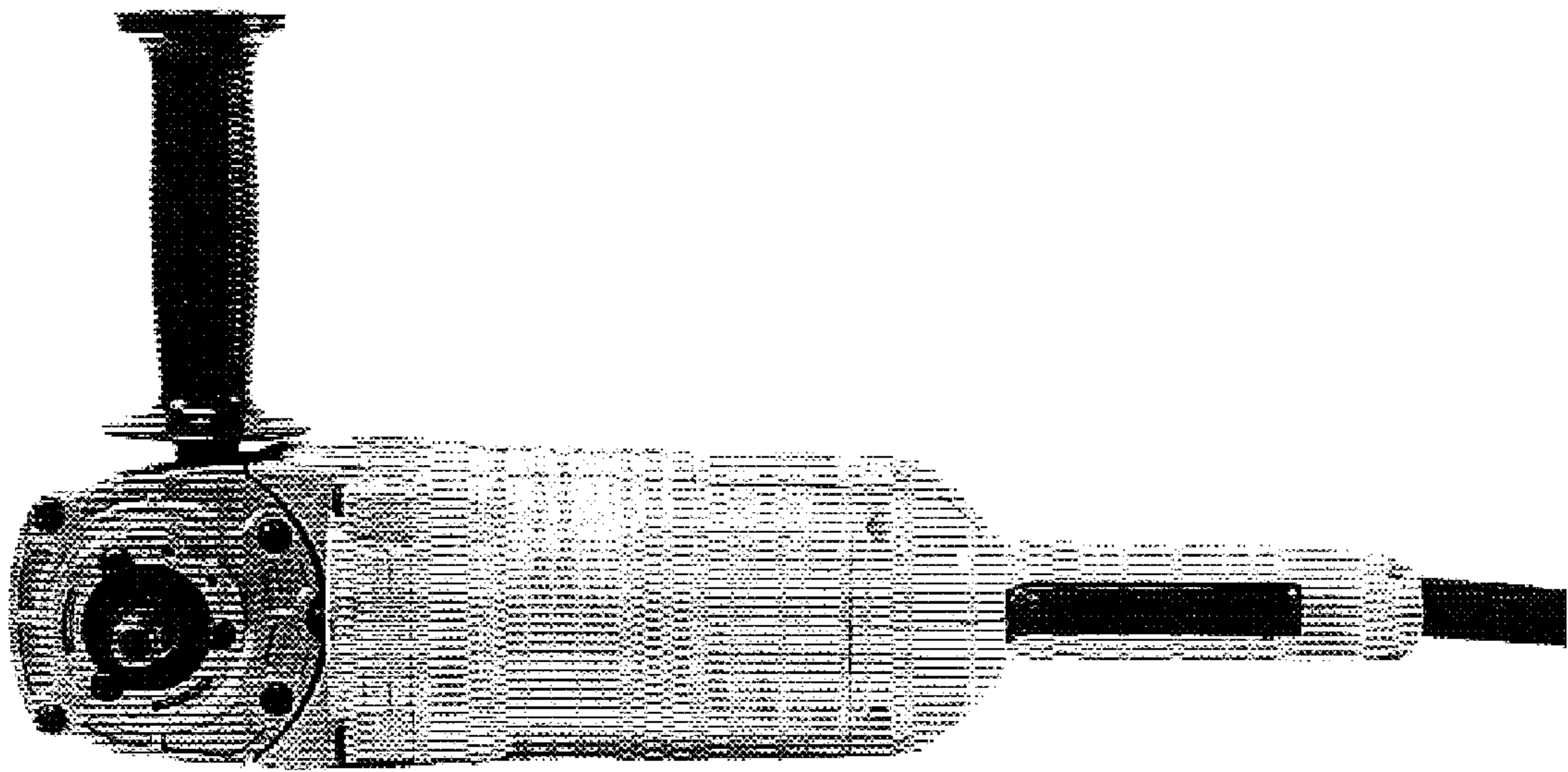


FIG. 7

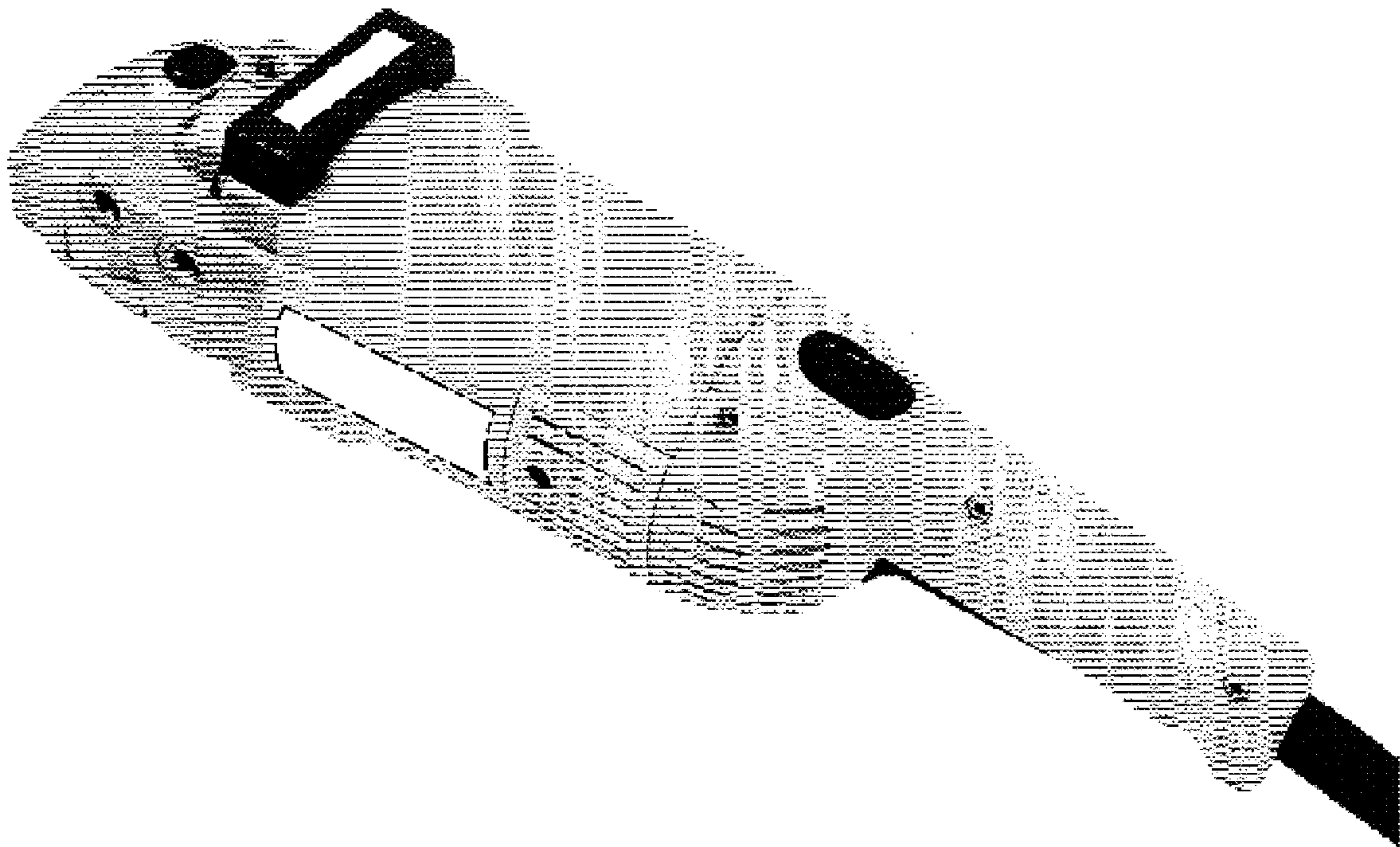


FIG. 8

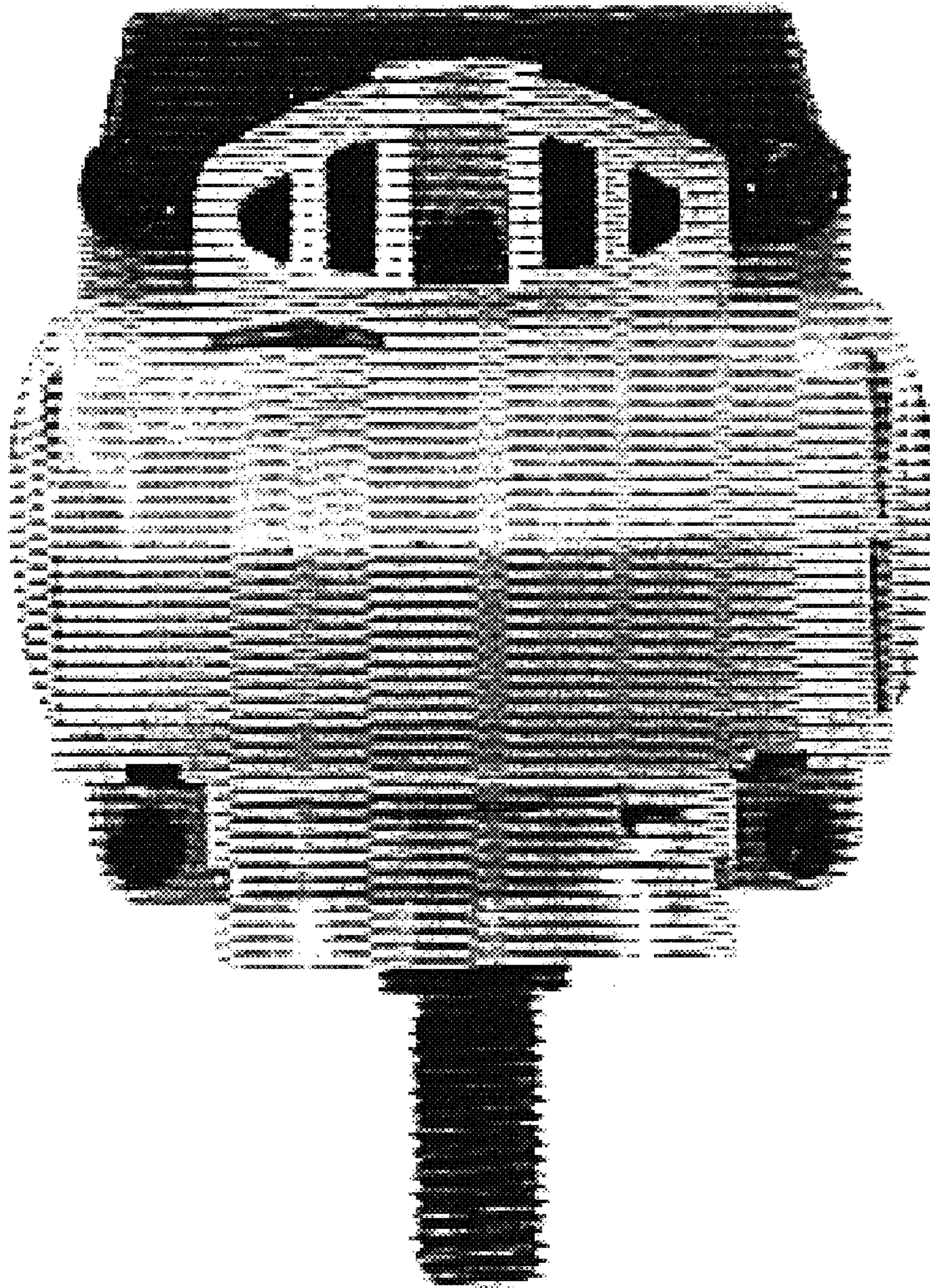


FIG. 9

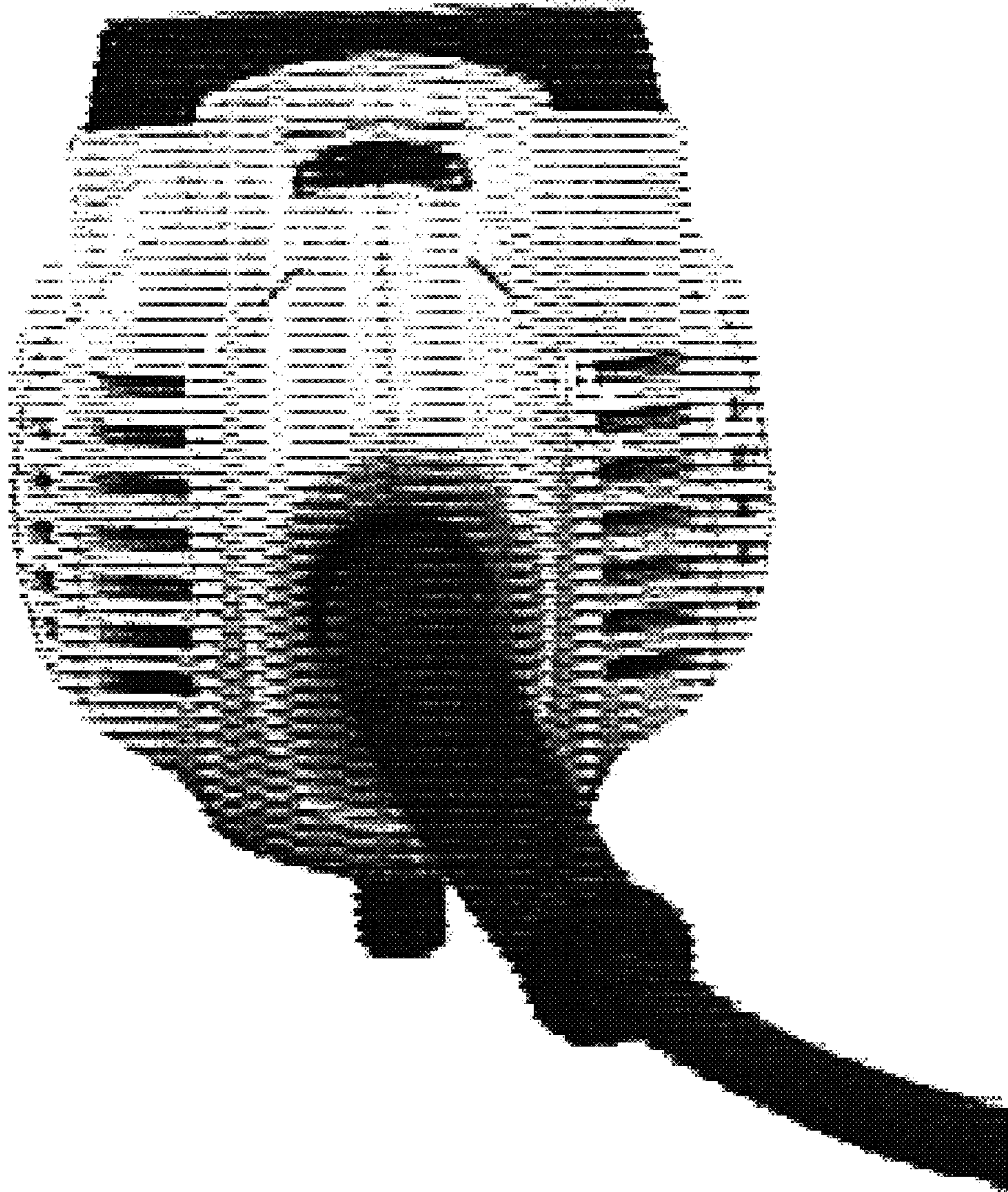


FIG. 10

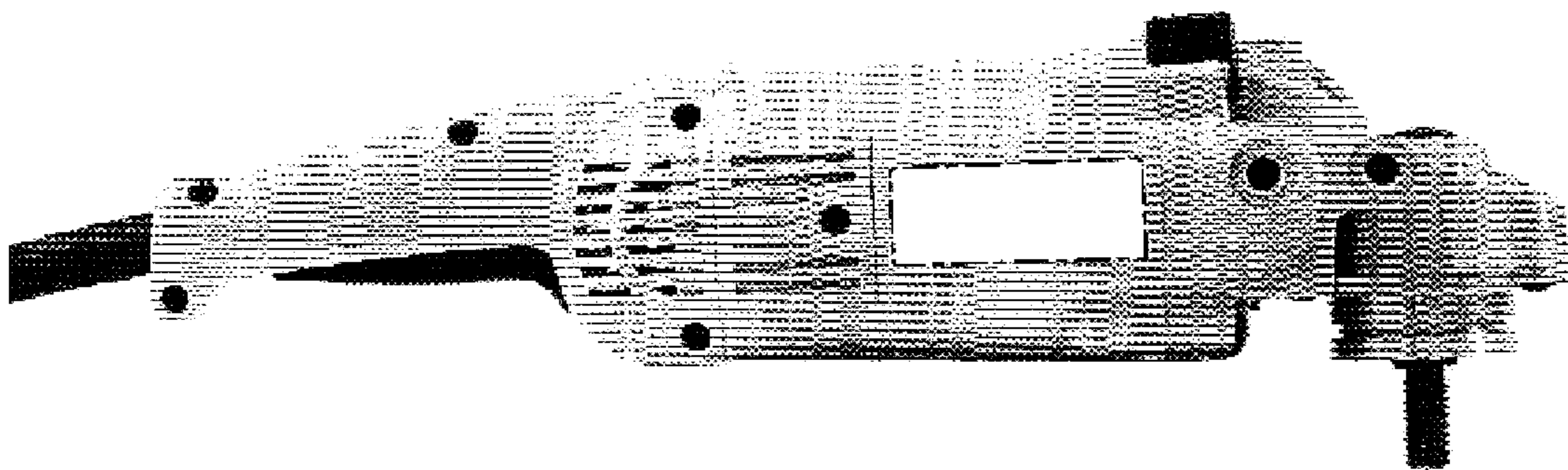


FIG. 11

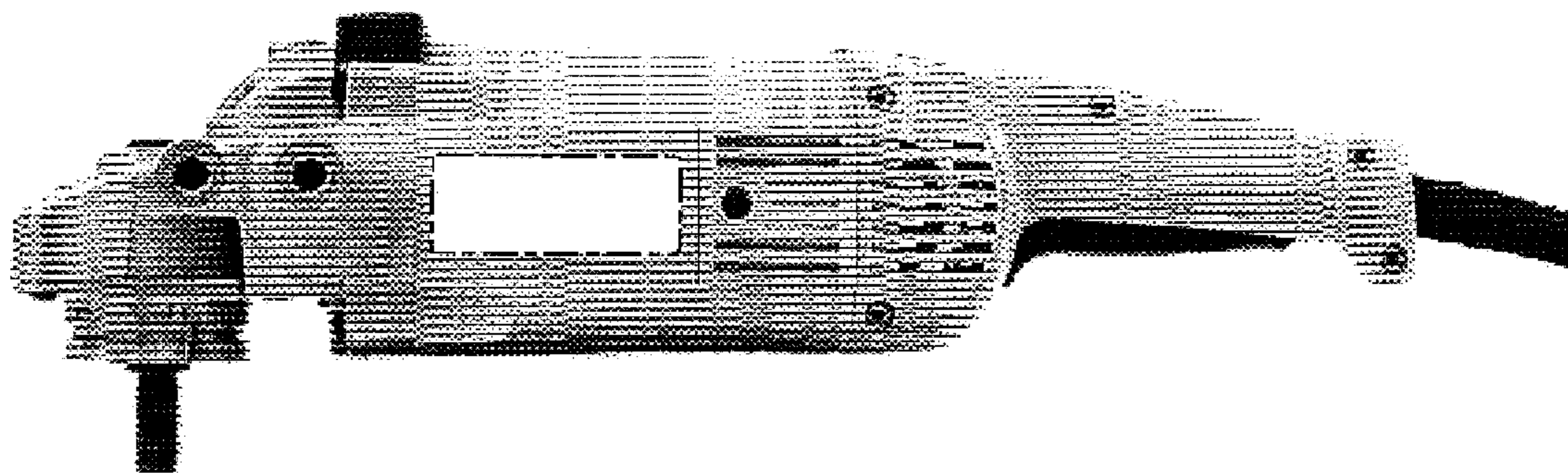


FIG. 12

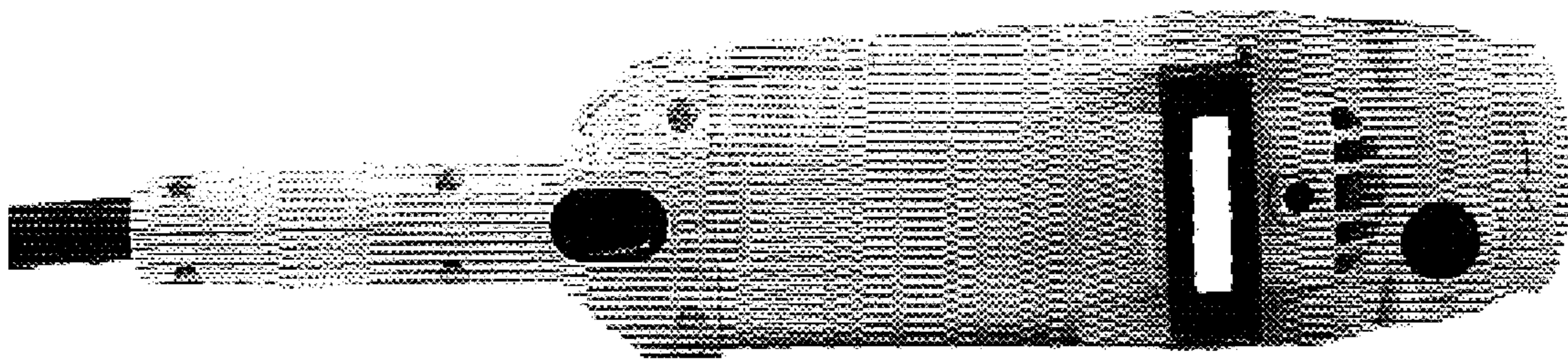


FIG. 13

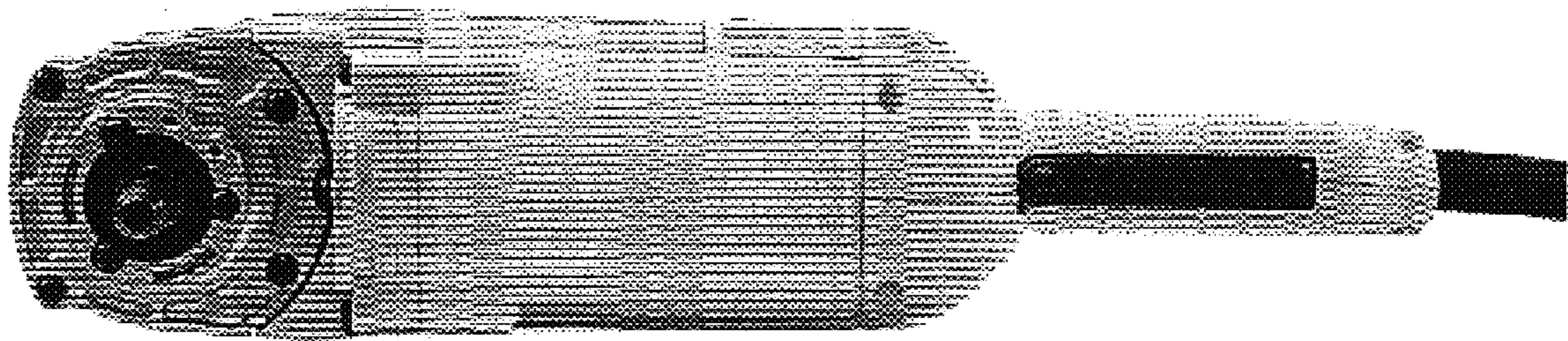


FIG. 14