

US00D511949S

(12) **United States Design Patent**  
**Lee**

(10) **Patent No.:** **US D511,949 S**  
(45) **Date of Patent:** **\*\* Nov. 29, 2005**

(54) **CAN OPENER**

D459,962 S \* 7/2002 Chong ..... D8/40  
D501,770 S \* 2/2005 Di Bitonto et al. .... D8/39

(75) Inventor: **Shek Tang Lee, Tsuen Wan (HK)**

\* cited by examiner

(73) Assignee: **Best Luck Technology Development Limited, Hong Kong (CN)**

*Primary Examiner*—Caron D. Veynar  
(74) *Attorney, Agent, or Firm*—Egbert Law Offices

(\*\*) Term: **14 Years**

(57) **CLAIM**

(21) Appl. No.: **29/209,046**

I claim the ornamental design for a can opener, as shown and described.

(22) Filed: **Jul. 9, 2004**

(30) **Foreign Application Priority Data**

**DESCRIPTION**

Jan. 14, 2004 (HK) ..... 0410116

FIG. 1 is a side view of the can opener showing my design.

(51) **LOC (8) Cl.** ..... **07-99**

FIG. 2 is an opposite side view thereof;

(52) **U.S. Cl.** ..... **D8/39**

FIG. 3 is a top plan view thereof;

(58) **Field of Search** ..... D8/16-20, 33-35,  
D8/38-43, 88, 89, 105; 7/138, 151-166;  
30/1.5, 169, 400-450; 81/3.05-3.49; 294/15

FIG. 4 is an end view thereof;

FIG. 5 is an opposite end view thereof;

FIG. 6 is a bottom view thereof; and,

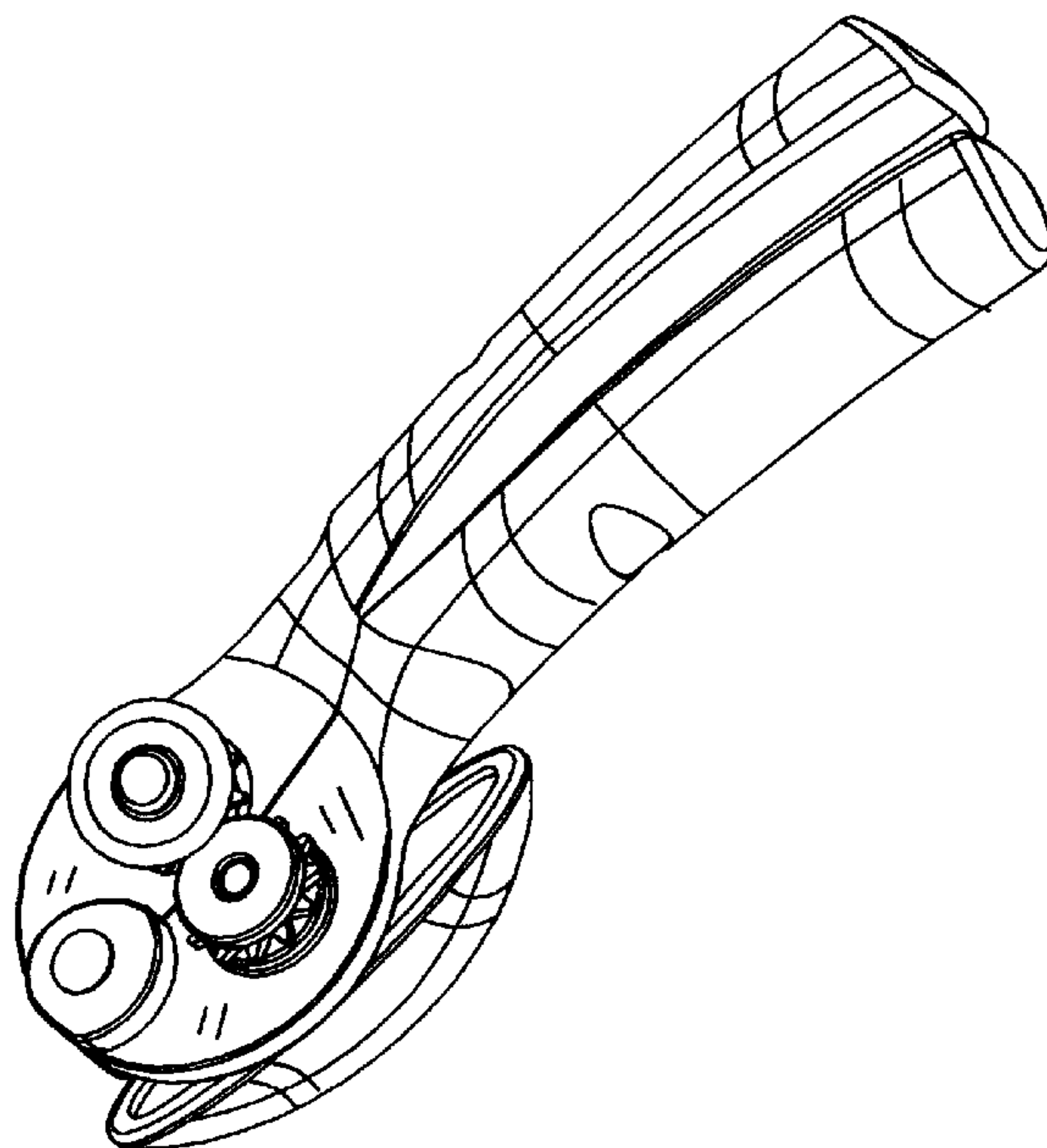
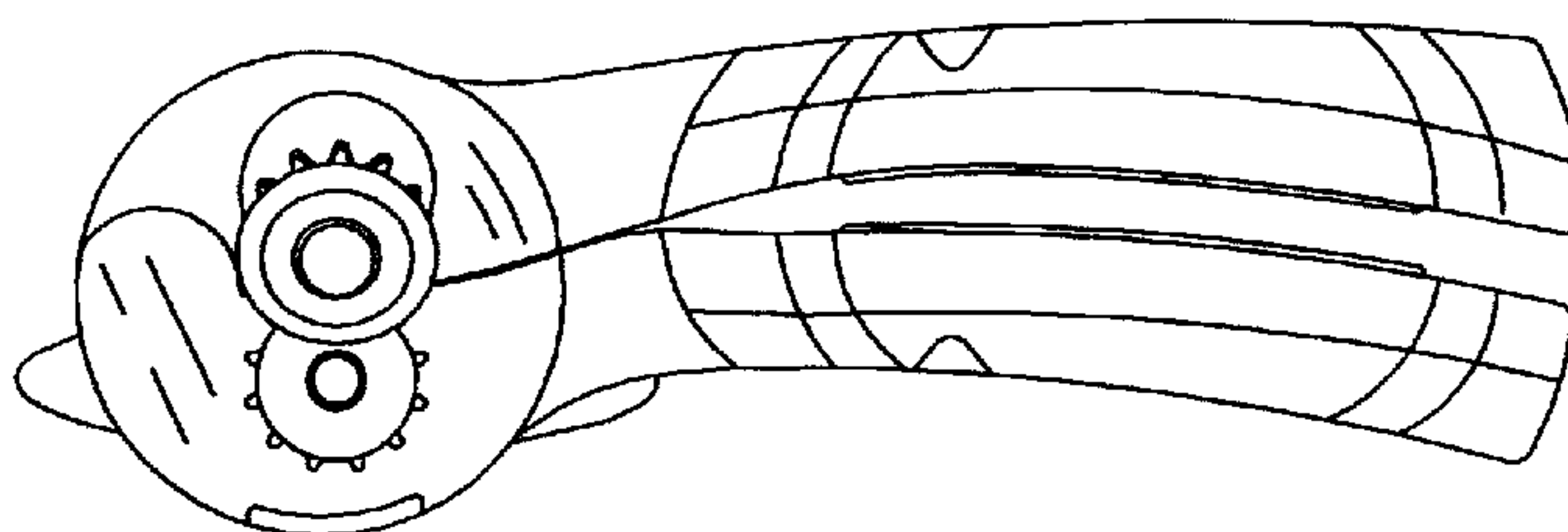
FIG. 7 is a perspective view thereof.

(56) **References Cited**

**U.S. PATENT DOCUMENTS**

D393,403 S \* 4/1998 Tse ..... D8/40

**1 Claim, 7 Drawing Sheets**



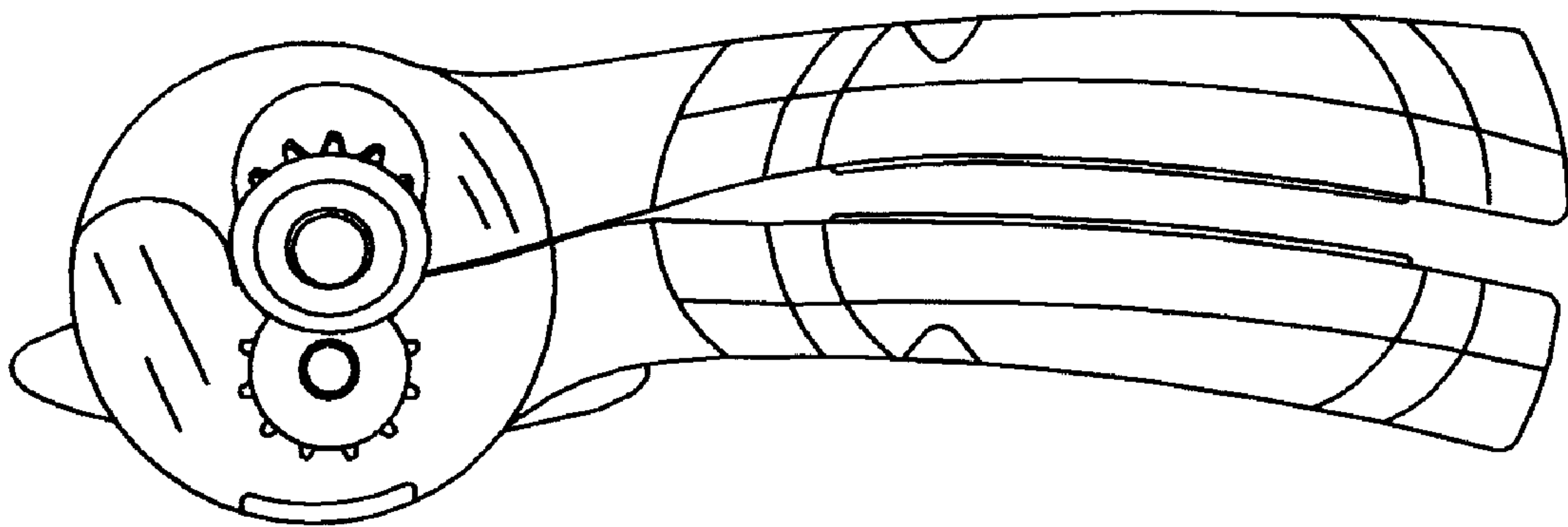


FIG. 1

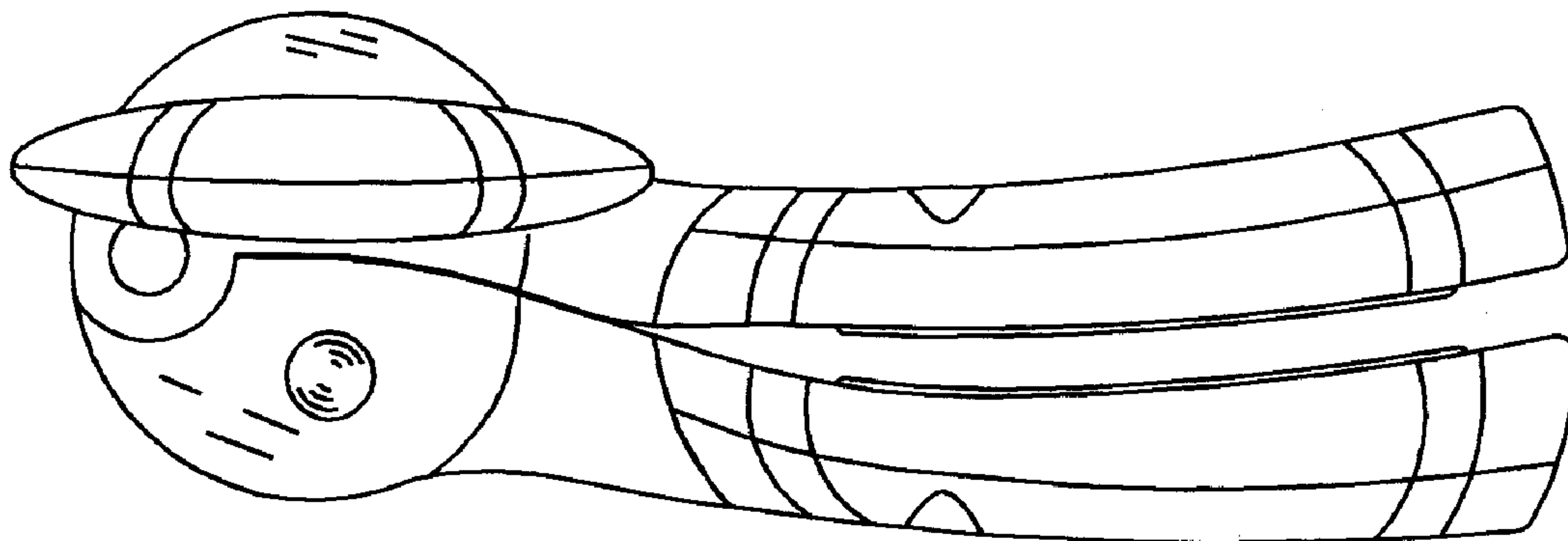


FIG. 2

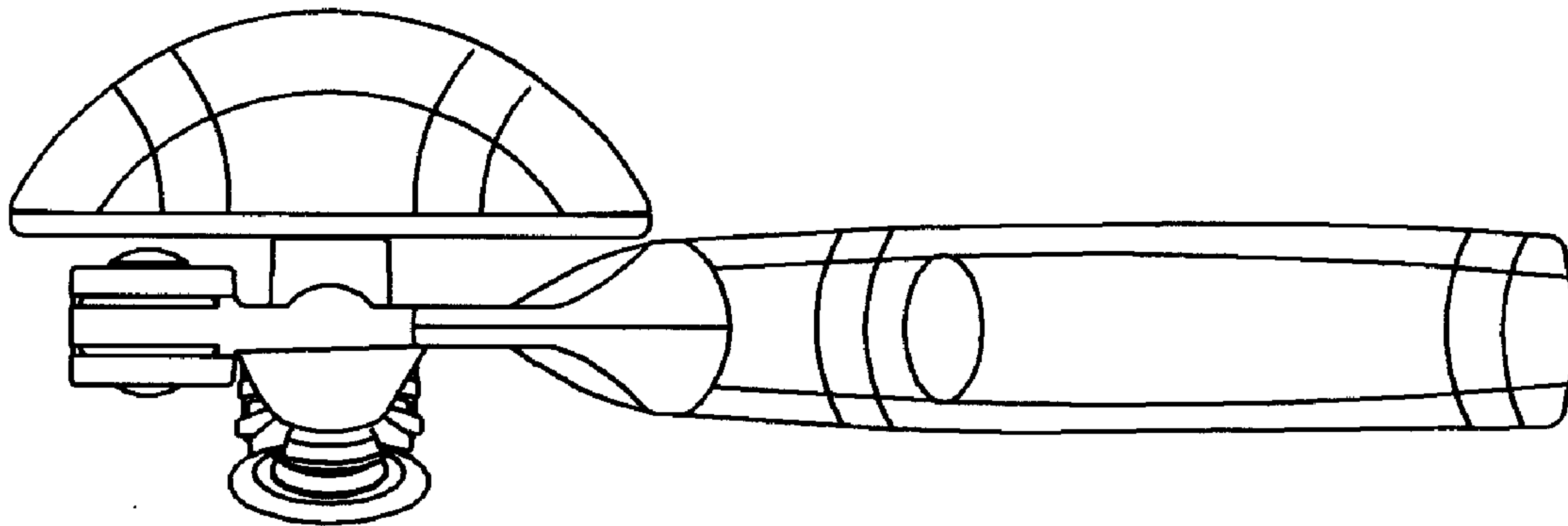


FIG. 3

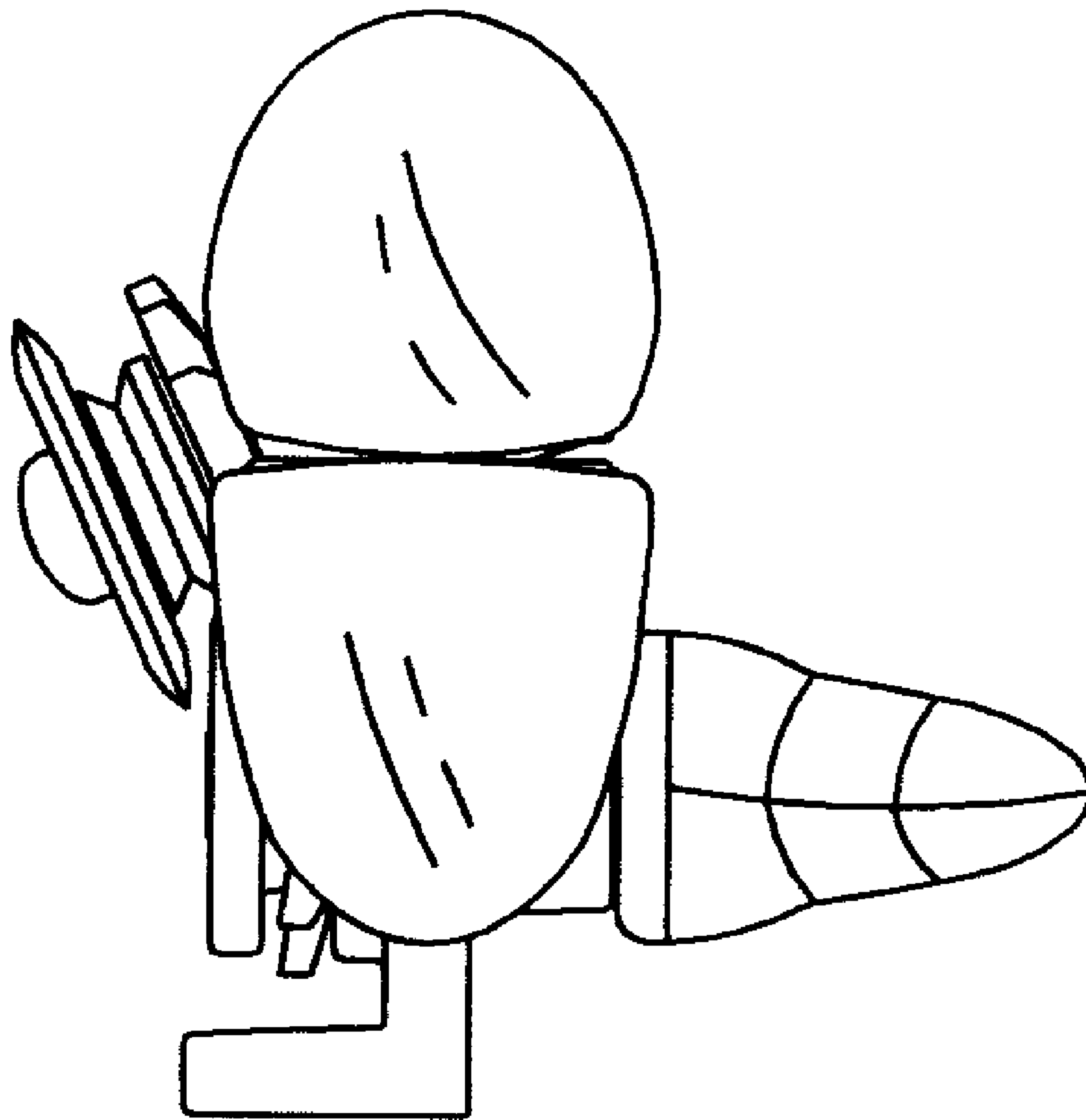


FIG. 4

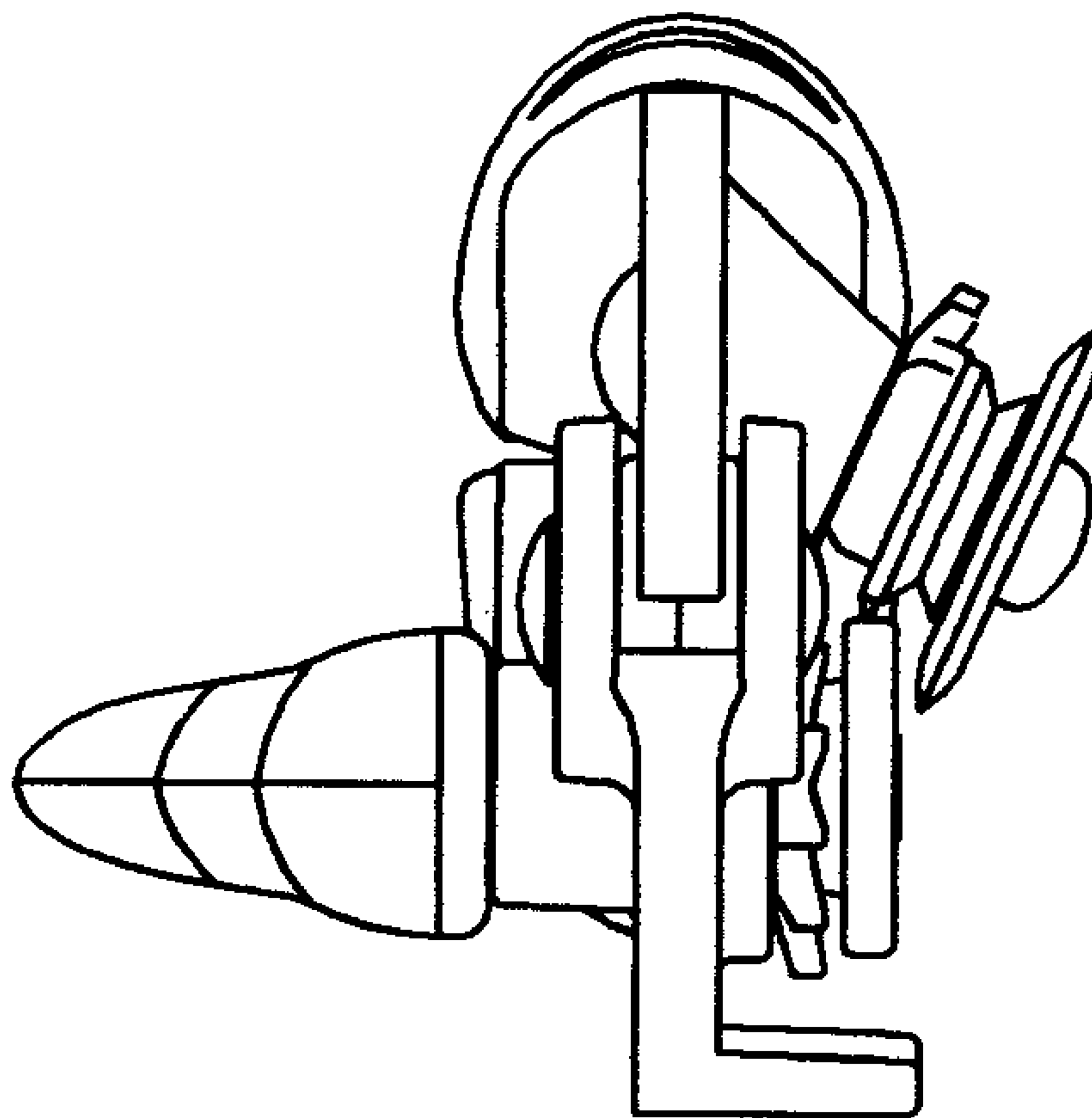


FIG. 5

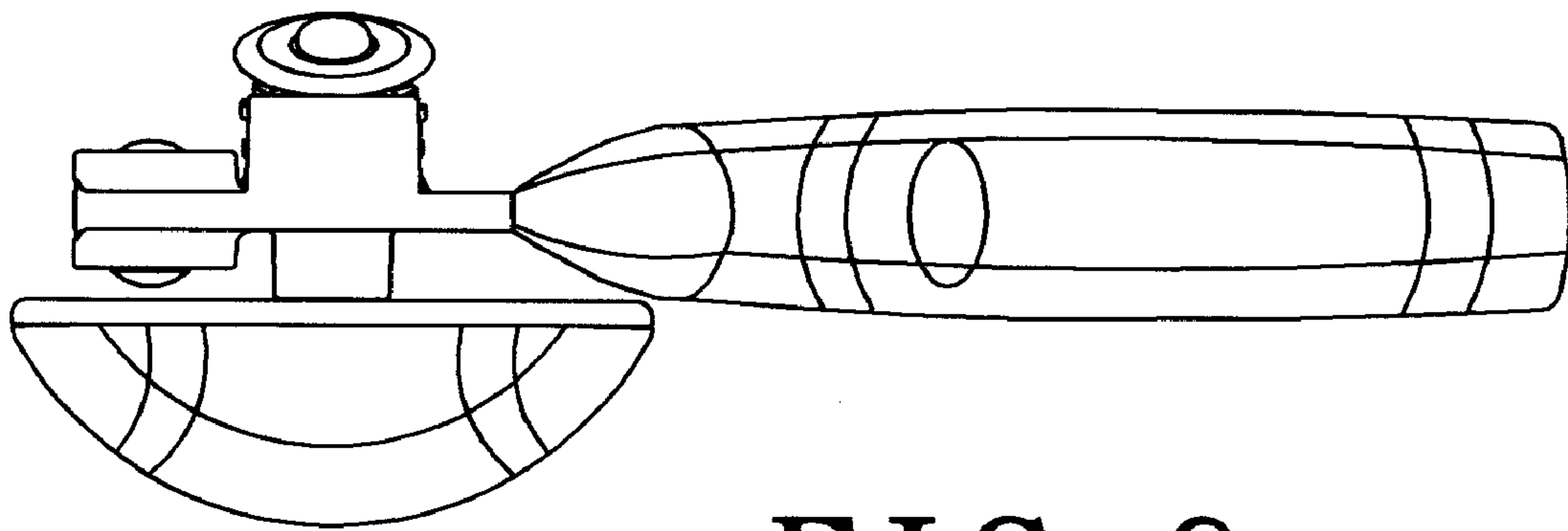


FIG. 6

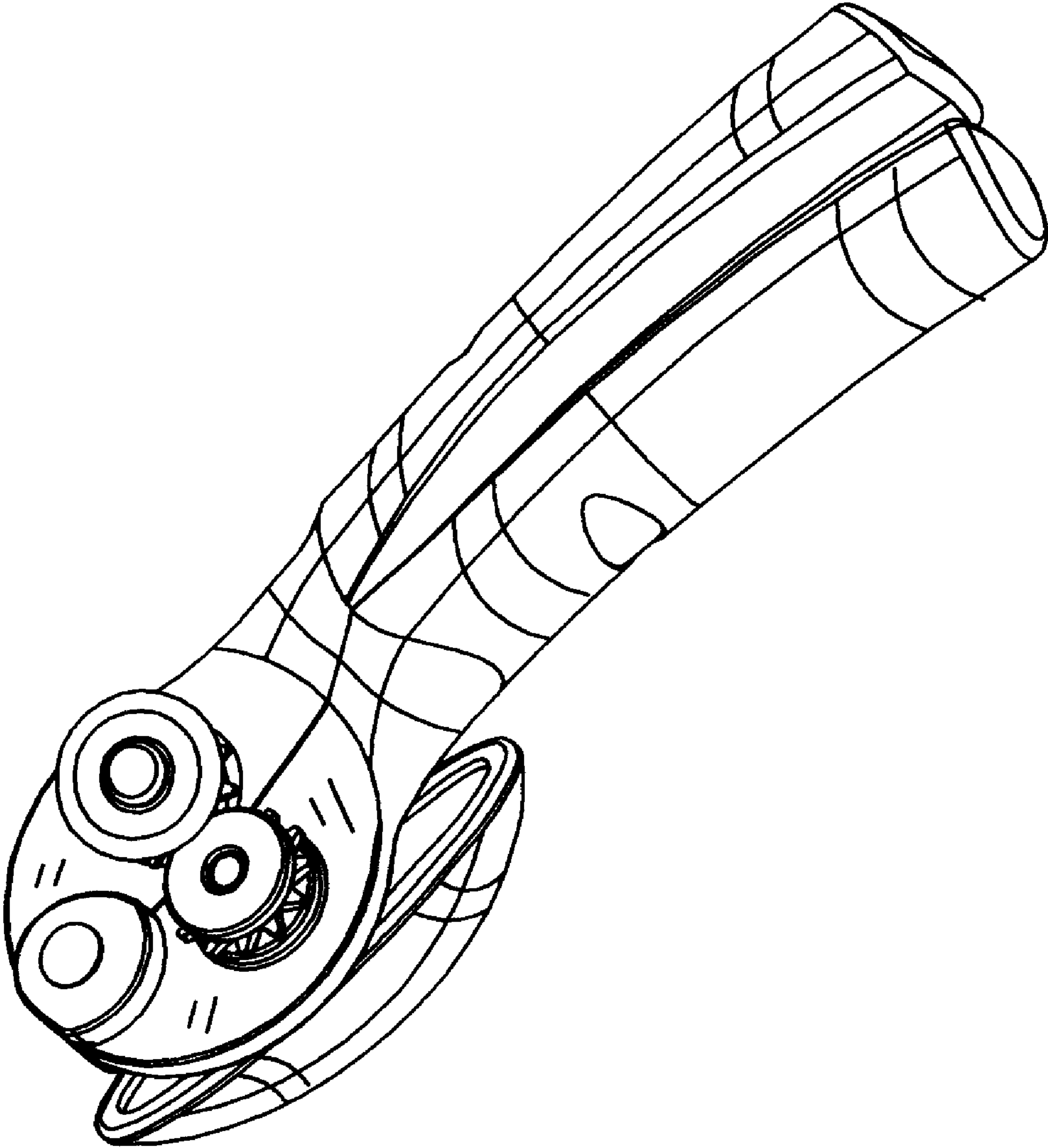


FIG. 7