



US00D511948S

(12) **United States Design Patent** (10) **Patent No.:** **US D511,948 S**
Shaltiel (45) **Date of Patent:** **** Nov. 29, 2005**

(54) **PLUMBER'S TOOL**

(76) Inventor: **Ariel Shaltiel**, 557 N. Sweetzer Ave.
#3, Los Angeles, CA (US) 90048

(**) Term: **14 Years**

(21) Appl. No.: **29/209,407**

(22) Filed: **Jul. 14, 2004**

(51) **LOC (8) Cl.** **08-05**

(52) **U.S. Cl.** **D8/14**

(58) **Field of Search** D8/14, 107, 47,
D8/31; D32/35, 14, 46; 4/255.01; 137/15.14;
81/120, 121.1, 177.1

(56) **References Cited**

U.S. PATENT DOCUMENTS

300,636 A	6/1884	Pike	
613,246 A	11/1898	Cole	
827,835 A	8/1906	White	
1,088,459 A	2/1914	Shade	
1,510,212 A	9/1924	DuBois	
1,690,995 A	11/1928	Pratt	
2,147,829 A *	2/1939	Daniels	173/126
2,283,780 A *	5/1942	Ahern	4/255.01
2,311,197 A	2/1943	Ahern	
2,413,997 A *	1/1947	Rosa	134/167 C
3,154,352 A *	10/1964	Riffelmacher et al.	15/145
3,190,679 A	6/1965	Lester	
4,277,872 A *	7/1981	Lewis	29/229
D291,933 S *	9/1987	Weiss	D32/14
4,787,659 A	11/1988	Durham	294/1.1
5,370,147 A	12/1994	Brusse et al.	137/15
D362,713 S	9/1995	Mathison	D23/260
D367,212 S *	2/1996	Blacha	D8/51
5,581,018 A	12/1996	Allen et al.	73/49.8
5,894,863 A	4/1999	Lewis et al.	138/90
6,070,452 A	6/2000	Brannan	73/40.5
6,286,172 B1	9/2001	Castagnoli	15/104.19
D486,364 S	2/2004	Shaltiel	D8/14
2004/0111792 A1 *	6/2004	Shaltiel	4/255.01

FOREIGN PATENT DOCUMENTS

EP 0 682204 A1 11/1995

* cited by examiner

Primary Examiner—Holly Baynham

(74) *Attorney, Agent, or Firm*—Cislo & Thomas LLP

(57) **CLAIM**

I claim the design for a plumber's tool, as shown and described.

DESCRIPTION

FIG. 1 is a perspective view of my plumbers tool with the dotted line showing being for illustrative purposes only;

FIG. 2 is a top view thereof with the dotted line showing being for illustrative purposes only;

FIG. 3 is a bottom view thereof with the dotted line showing being for illustrative purposes only;

FIG. 4 is a rear view thereof with the dotted line showing being for illustrative purposes only;

FIG. 5 is a front view thereof with the dotted line showing being for illustrative purposes only;

FIG. 6 is a right side elevation view thereof with the dotted line showing being for illustrative purposes only;

FIG. 7 is a left side elevation view thereof with the dotted line showing being for illustrative purposes only;

FIG. 8 is an alternative embodiment of my plumber's tool;

FIG. 9 is a front view of the FIG. 8 embodiment;

FIG. 10 is a rear view of the FIG. 8 embodiment;

FIG. 11 is a view of still another embodiment of my plumber's tool;

FIG. 12 is a front view of the FIG. 11 embodiment;

FIG. 13 is a rear view of the FIG. 12 embodiment;

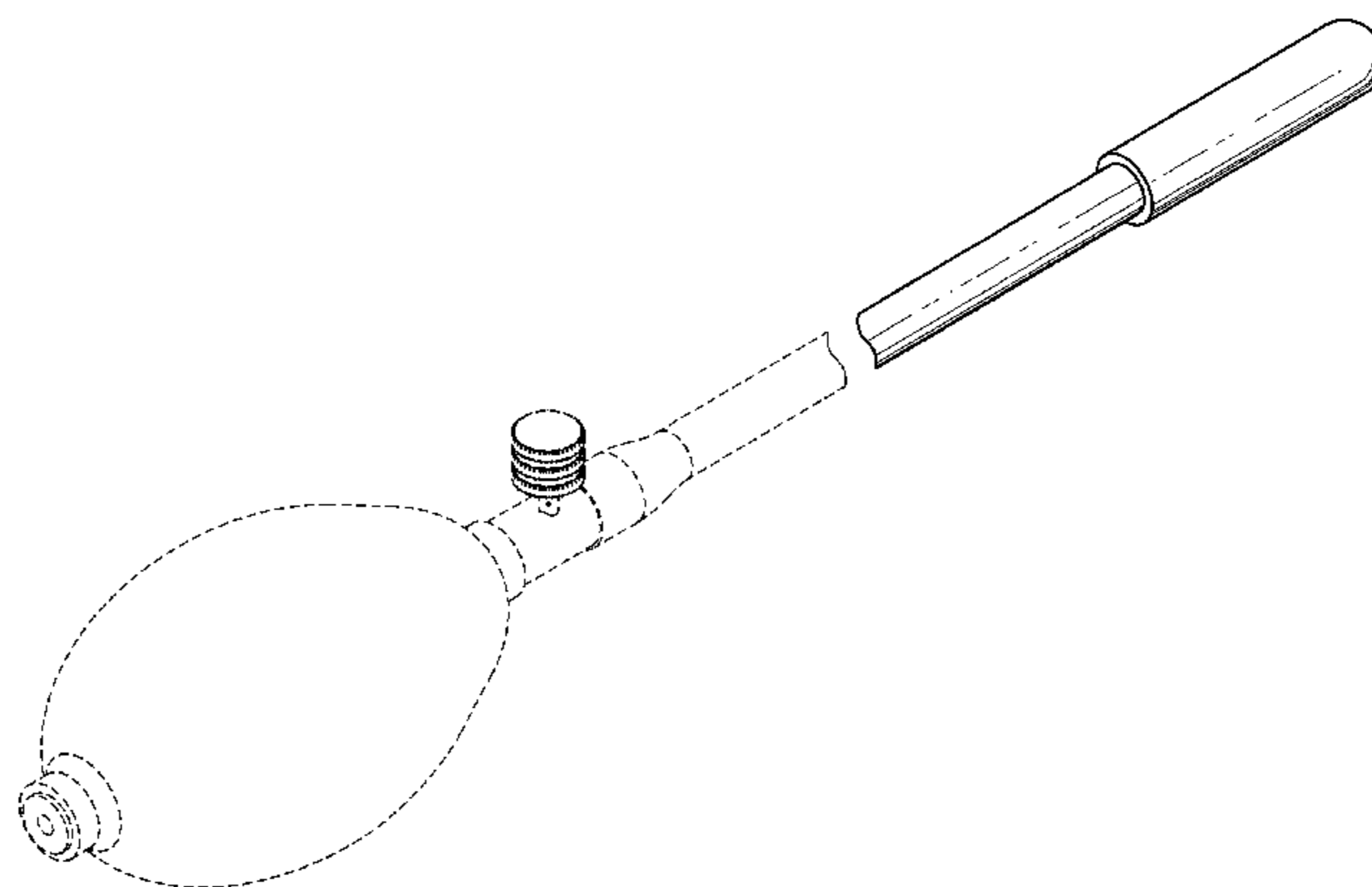
FIG. 14 is a view of still another embodiment of my plumber's tool;

FIG. 15 is a front view of the FIG. 14 embodiment; and,

FIG. 16 is a rear view of the FIG. 14 embodiment.

The broken lines shown in the drawing disclosure are for illustrative purposes only and forms no part of the claimed design.

1 Claim, 4 Drawing Sheets



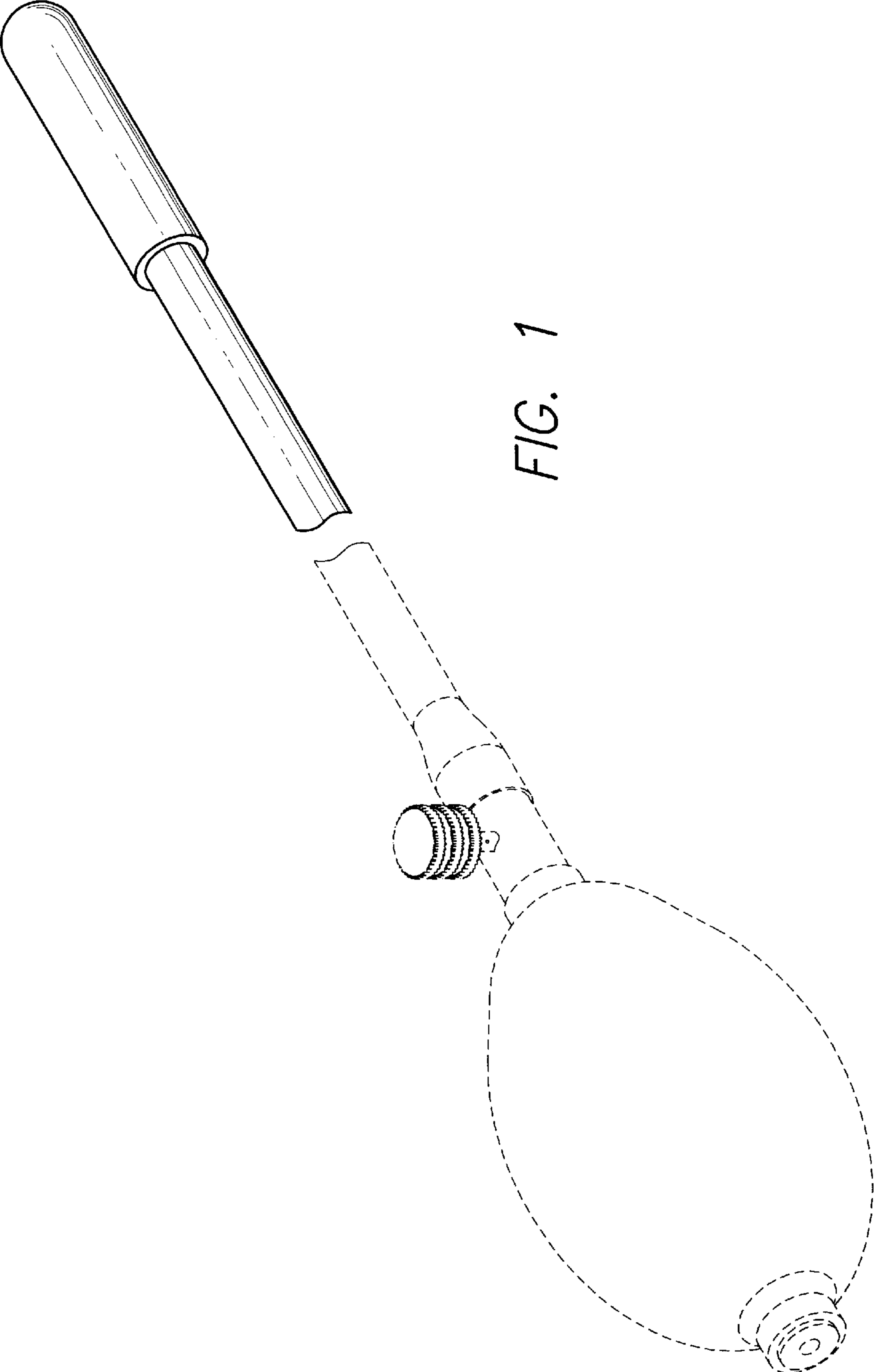
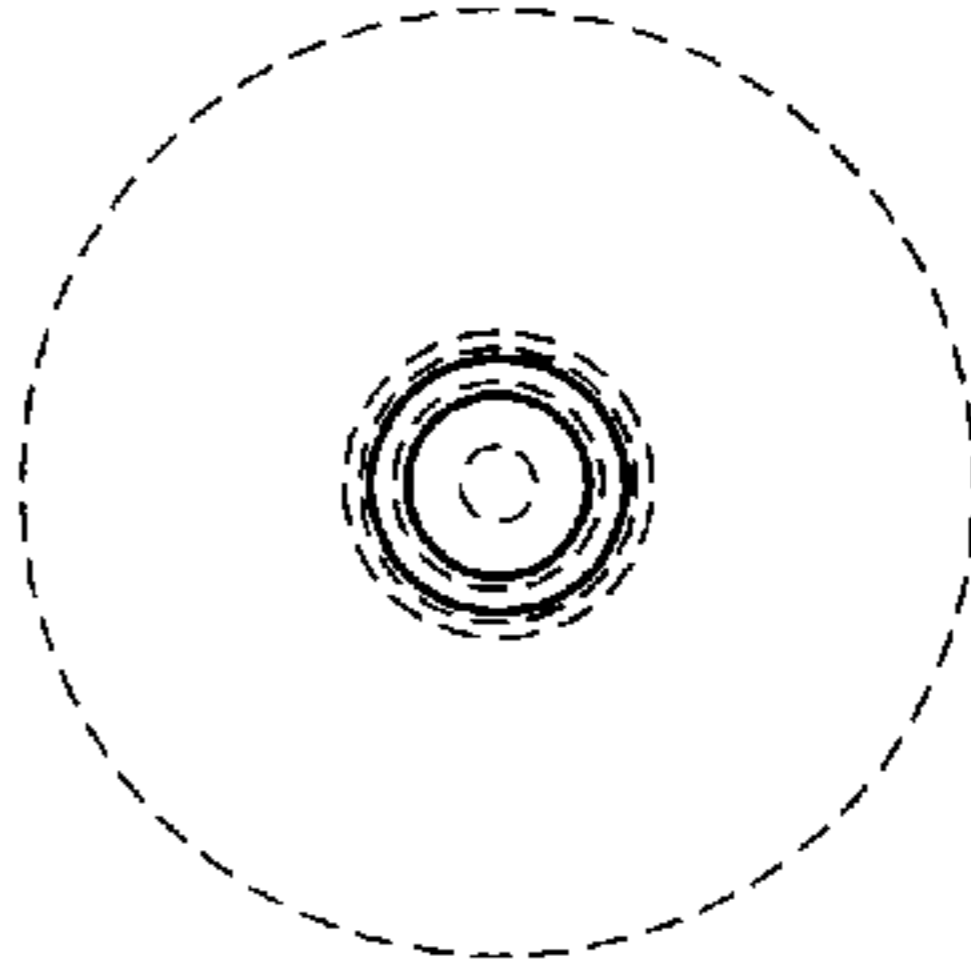
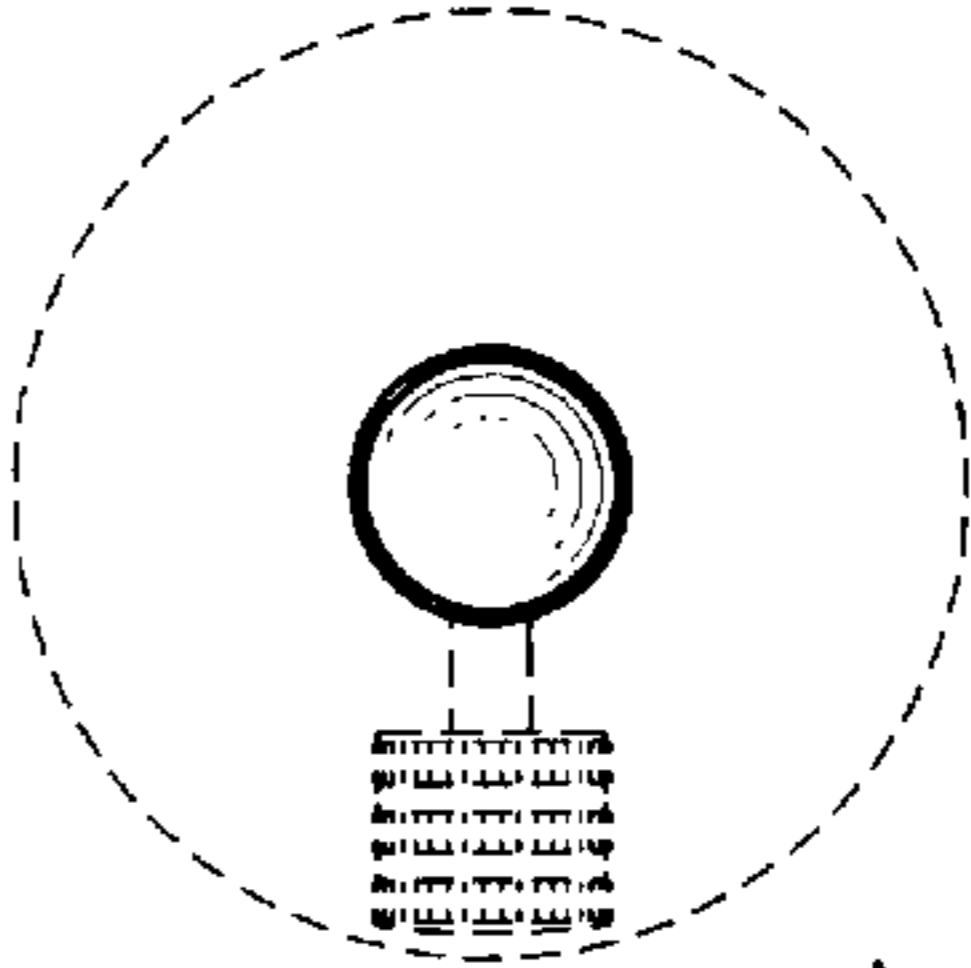
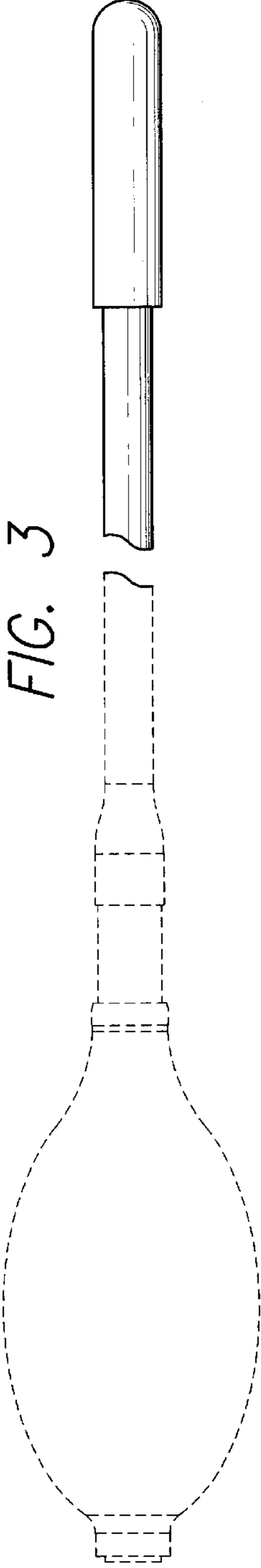
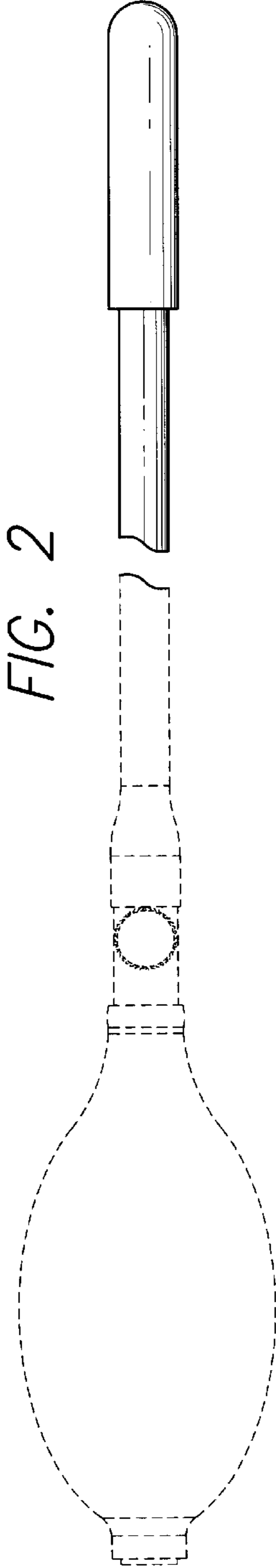
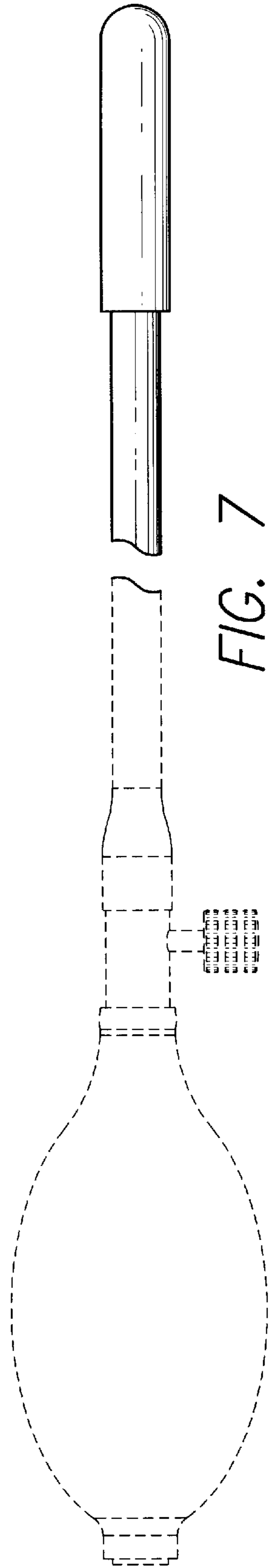
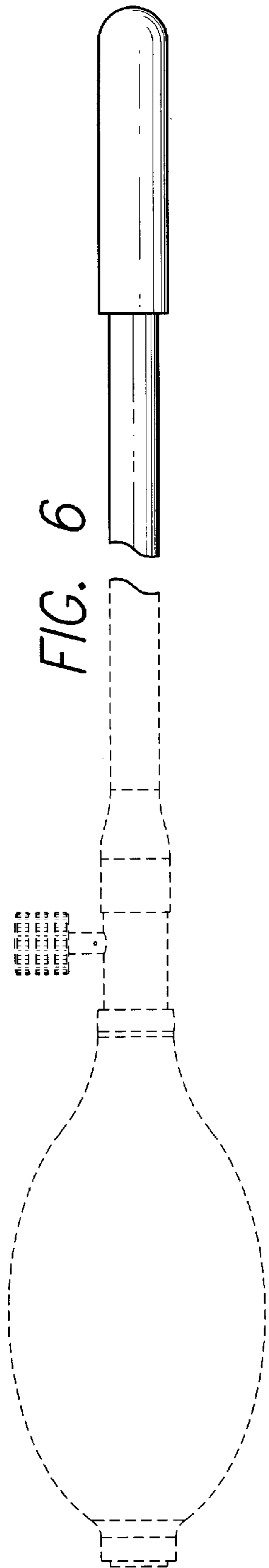


FIG. 1





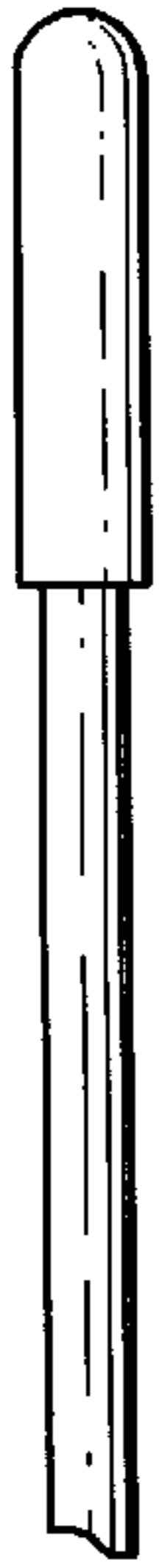


FIG. 8



FIG. 9



FIG. 10

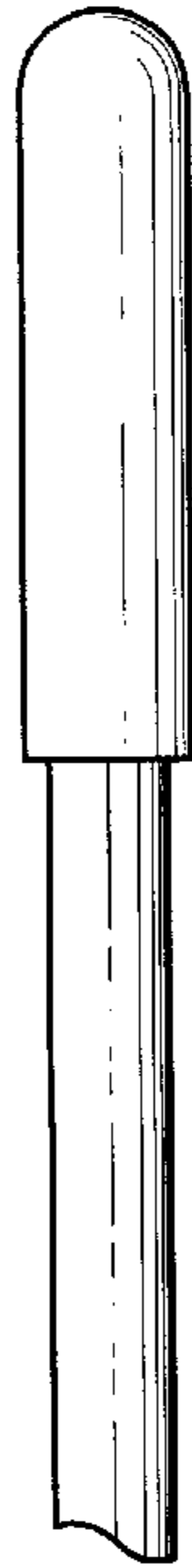


FIG. 11



FIG. 12



FIG. 13

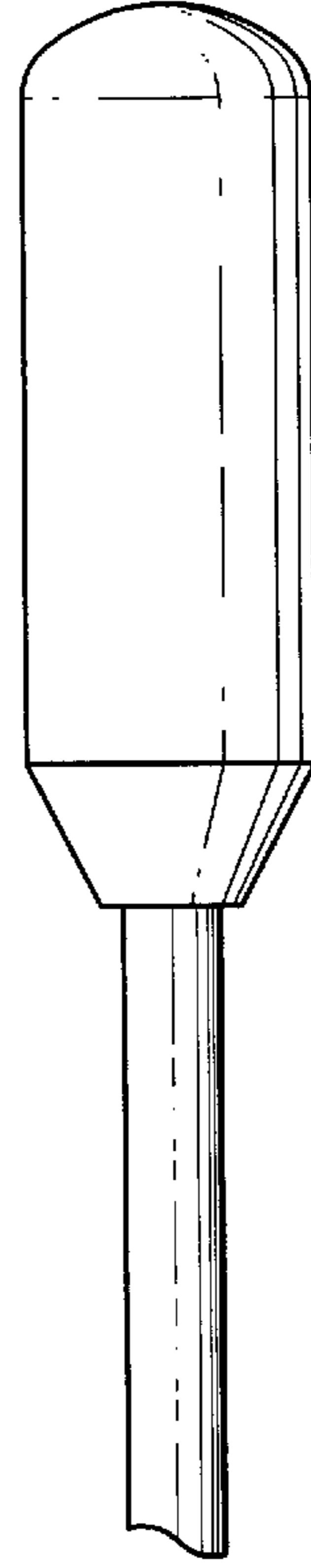


FIG. 14

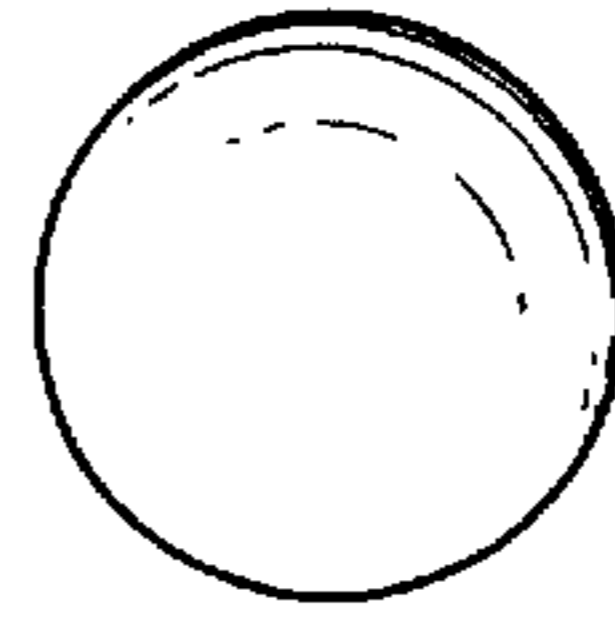


FIG. 15

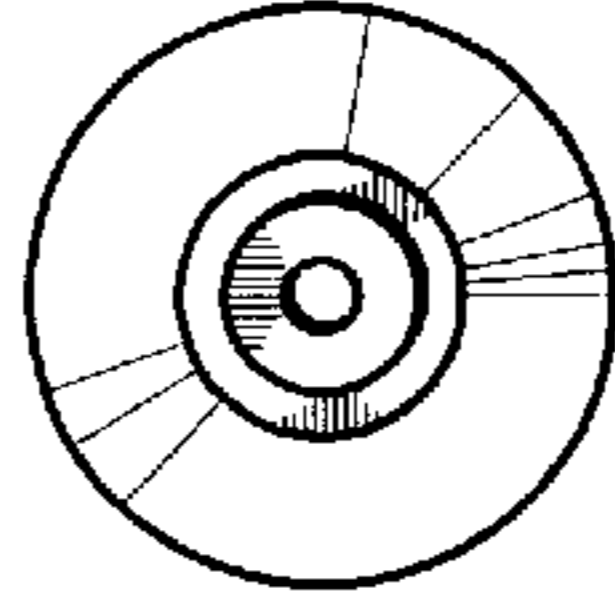


FIG. 16