



US00D511945S

(12) **United States Design Patent**
Hensel

(10) **Patent No.:** **US D511,945 S**

(45) **Date of Patent:** **** Nov. 29, 2005**

(54) **CITRUS PRESS**

(76) **Inventor:** **Keith Hensel**, 181/25 Best St., Lane Cove, NSW 2066 (AU)

(**) **Term:** **14 Years**

(21) **Appl. No.:** **29/216,157**

(22) **Filed:** **Nov. 1, 2004**

(51) **LOC (8) Cl.** **07-04**

(52) **U.S. Cl.** **D7/666**

(58) **Field of Search** D7/665, 666; 99/495, 99/501-513; 100/110, 125, 131-135, 213, 283

(56) **References Cited**

U.S. PATENT DOCUMENTS

| | | | | | |
|-------------|---|---------|-------------|-------|--------|
| D121,876 S | * | 8/1940 | Koch | | D7/666 |
| 2,238,571 A | * | 4/1941 | Scott | | 99/507 |
| D138,983 S | * | 10/1944 | Johnson | | D7/666 |
| 2,674,182 A | * | 4/1954 | Kirkpatrick | | 99/507 |

| | | | | | |
|--------------|---|---------|-----|-------|--------|
| D304,140 S | * | 10/1989 | Li | | D7/666 |
| D328,552 S | * | 8/1992 | Lee | | D7/666 |
| 6,813,996 B1 | * | 11/2004 | Kao | | 99/507 |

* cited by examiner

Primary Examiner—Terry A. Wallace

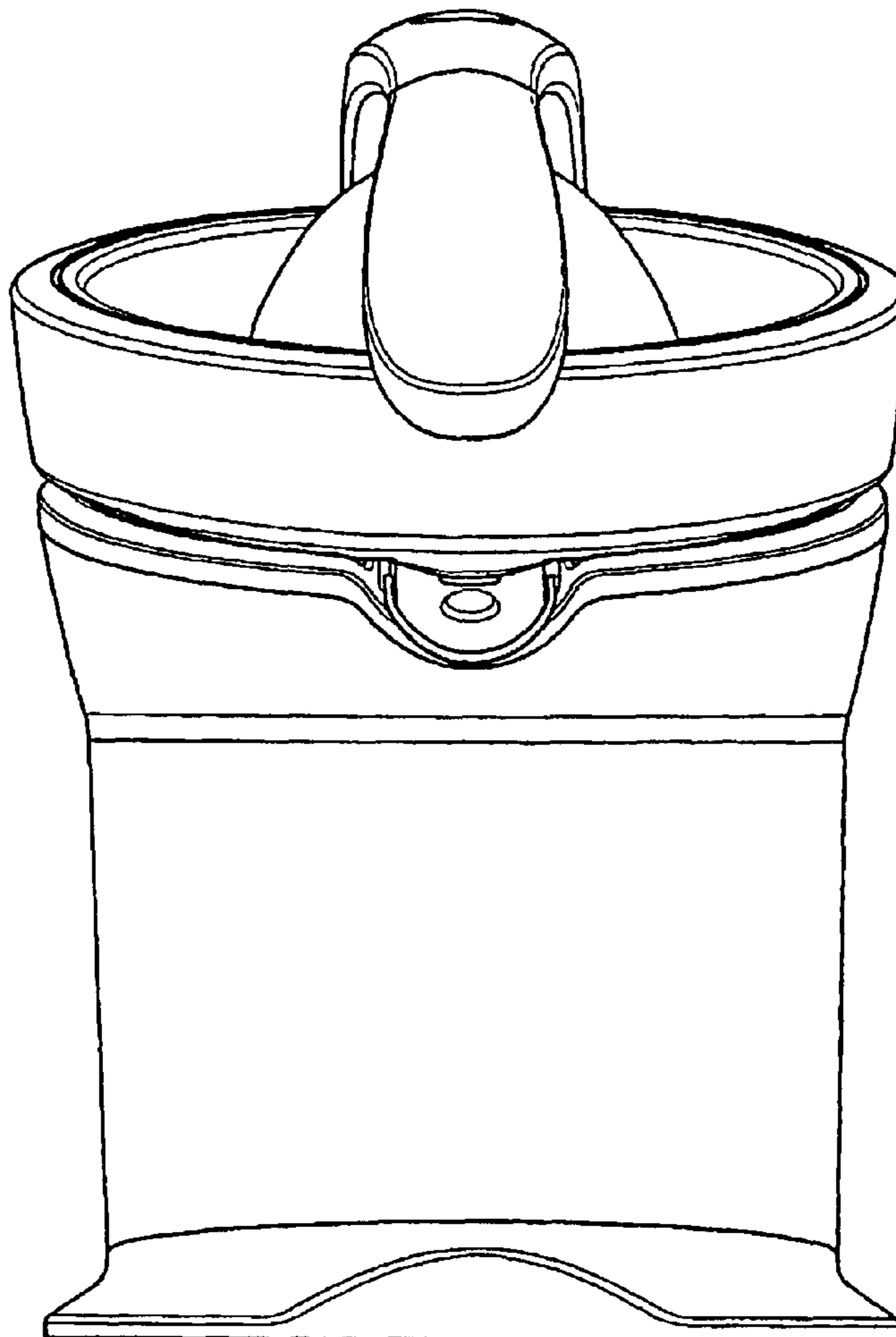
(57) **CLAIM**

The ornamental design for a citrus press, as shown.

DESCRIPTION

FIG. 1 is a front elevation view of a citrus press showing my new design;
FIG. 2 is a right side elevation view thereof;
FIG. 3 is a rear elevation view thereof;
FIG. 4 is a left side elevation view thereof;
FIG. 5 is a top view thereof;
FIG. 6 is a bottom view thereof;
FIG. 7 is a front perspective view thereof; and,
FIG. 8 is a rear perspective view thereof.

1 Claim, 7 Drawing Sheets



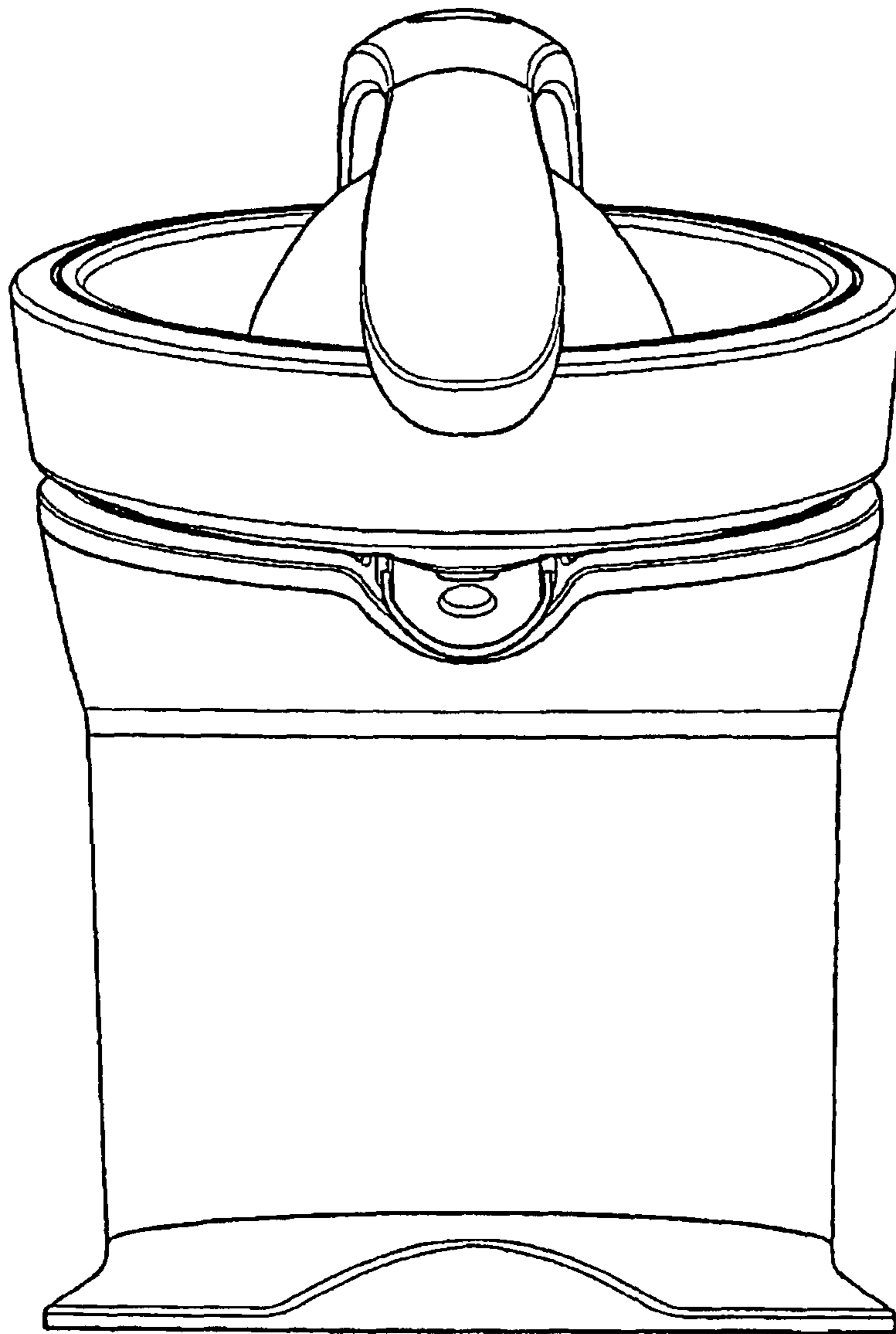


Figure 1

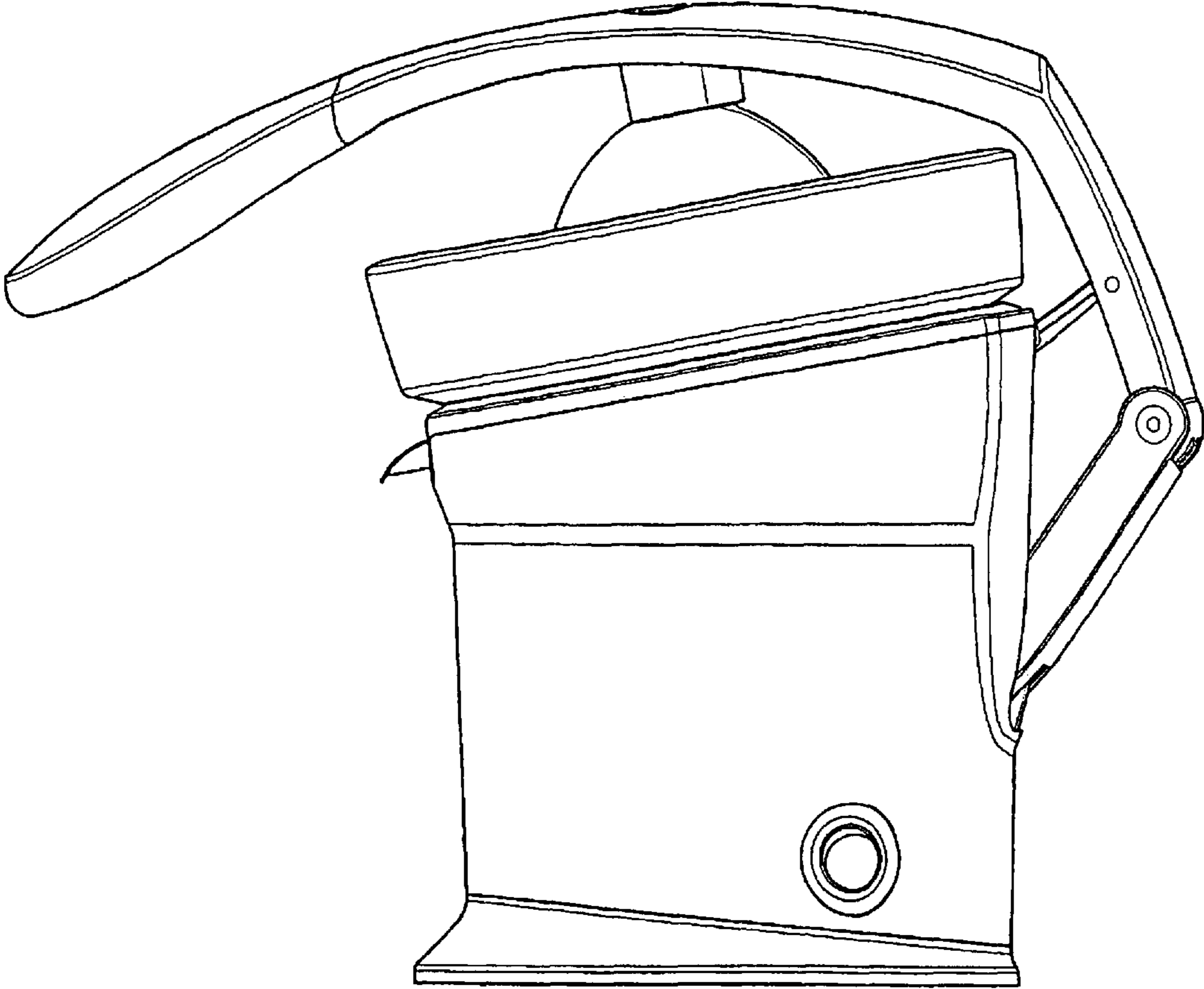


Figure 2

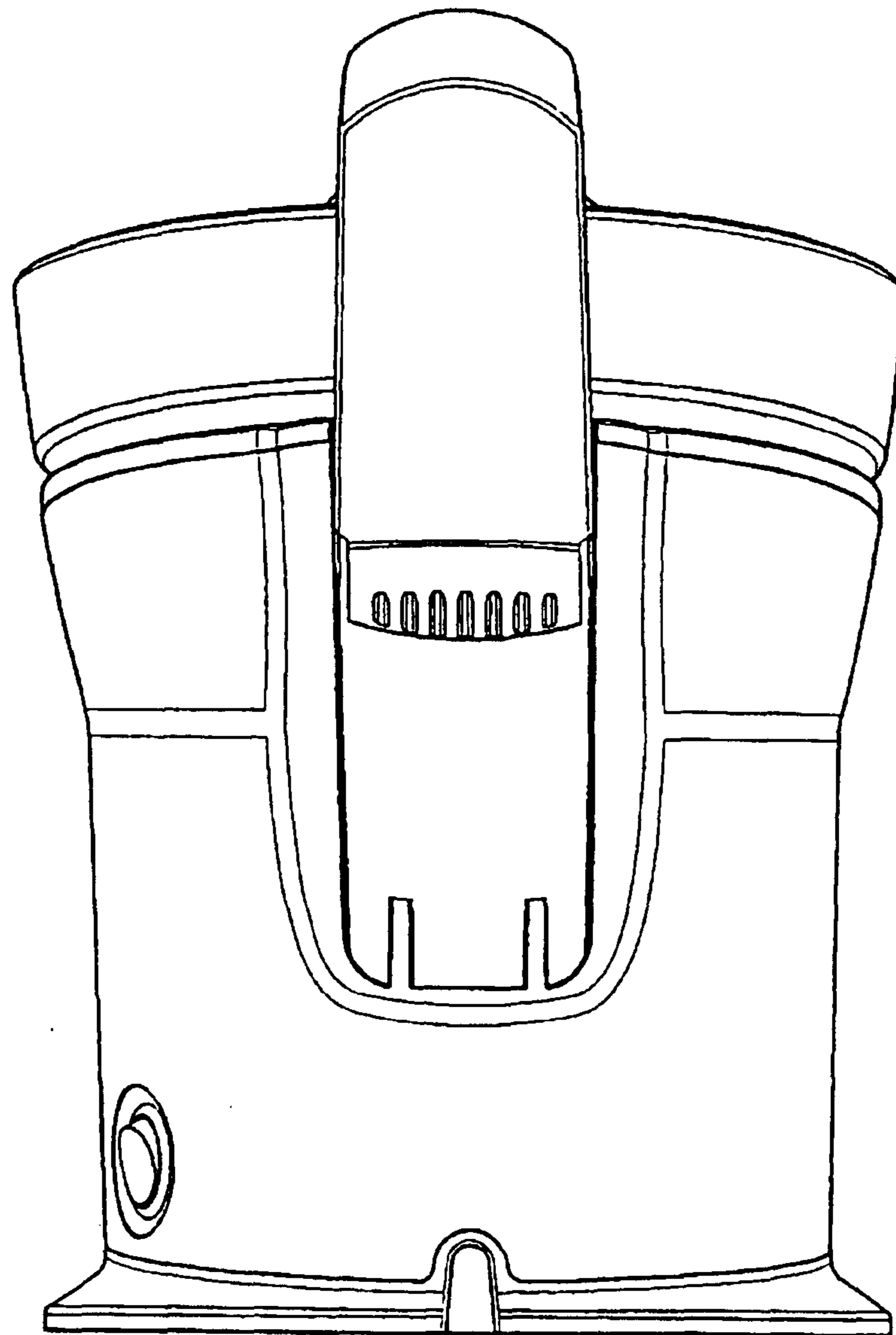


Figure 3

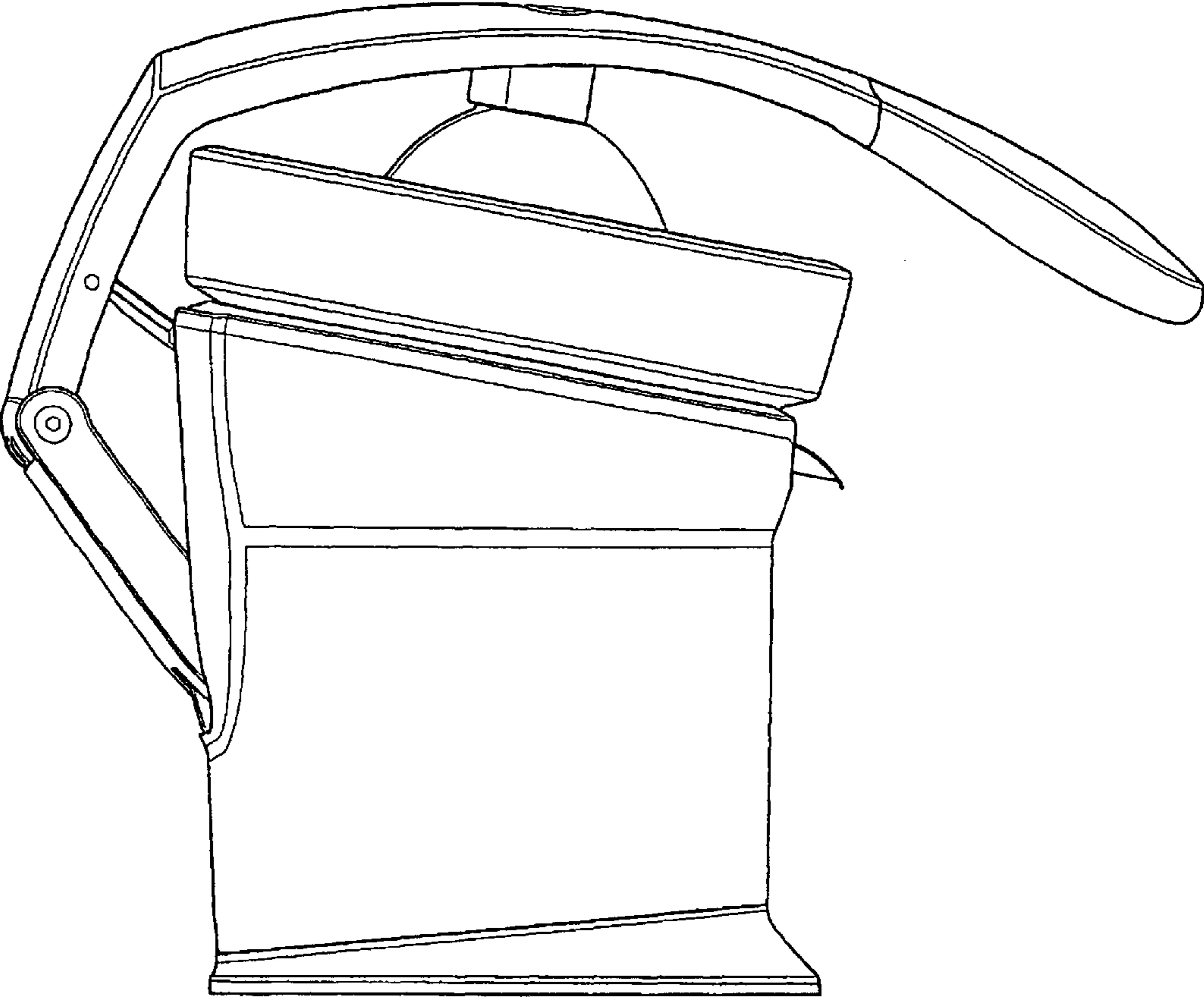


Figure 4

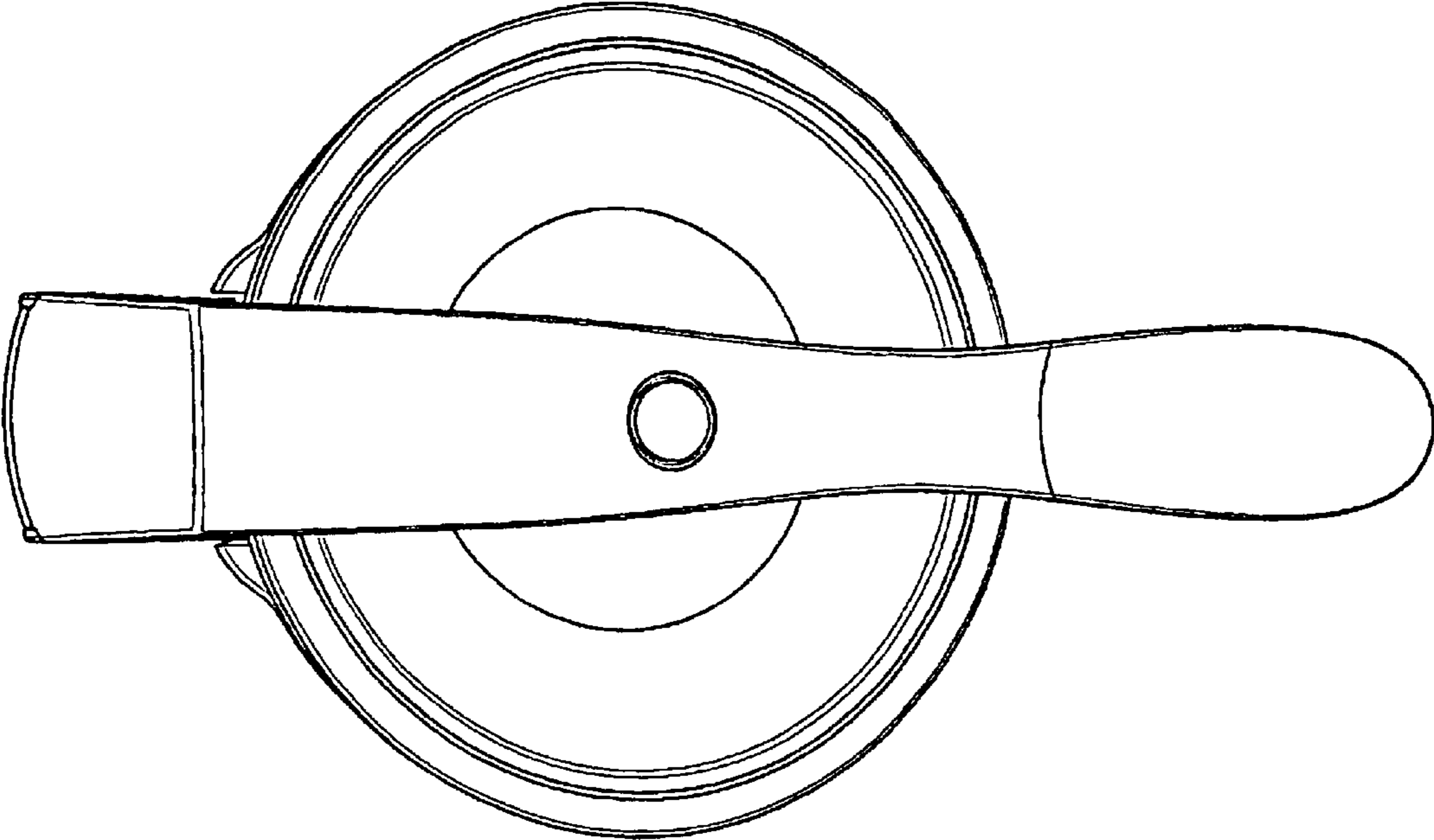


Figure 5

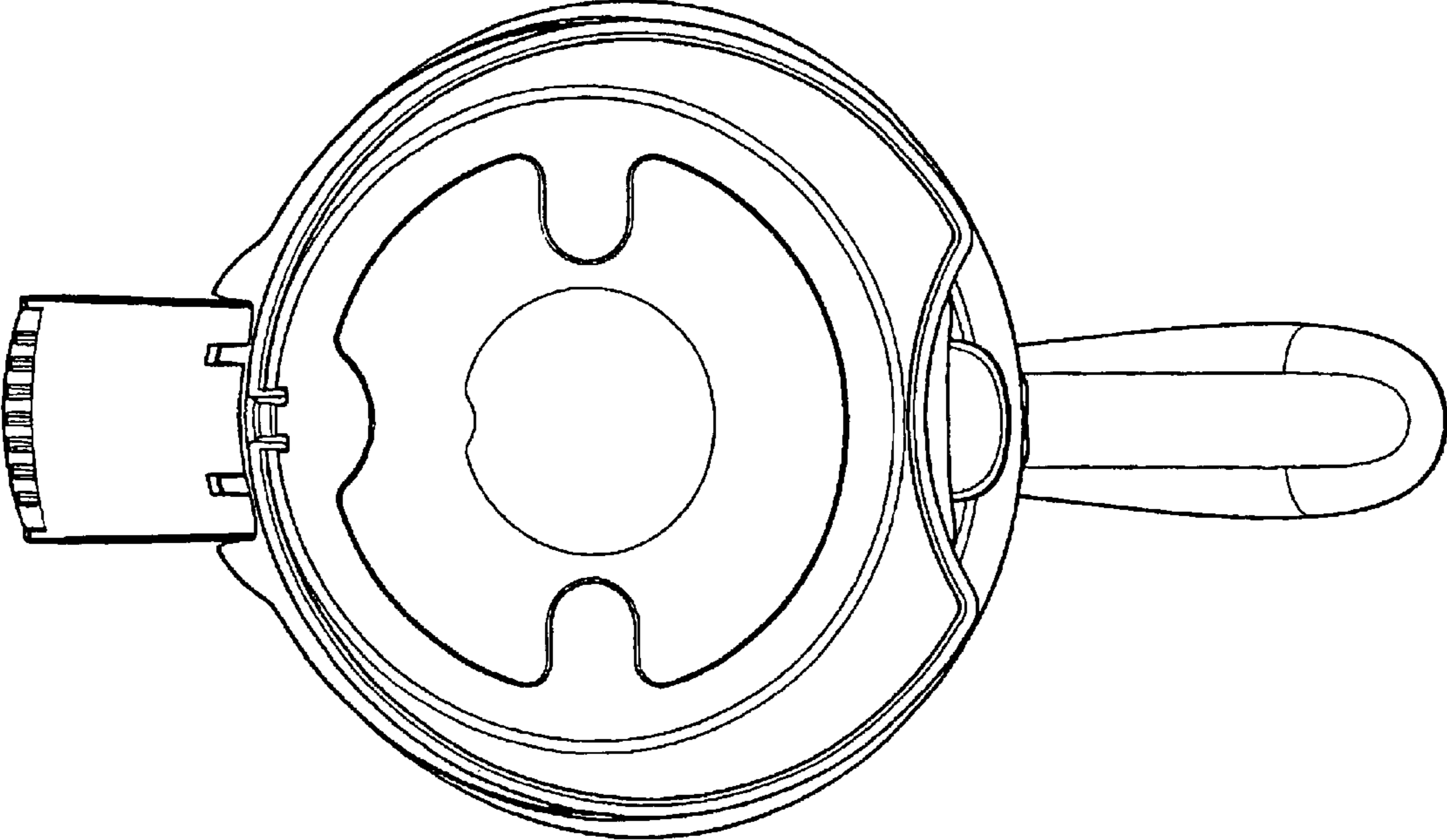


Figure 6

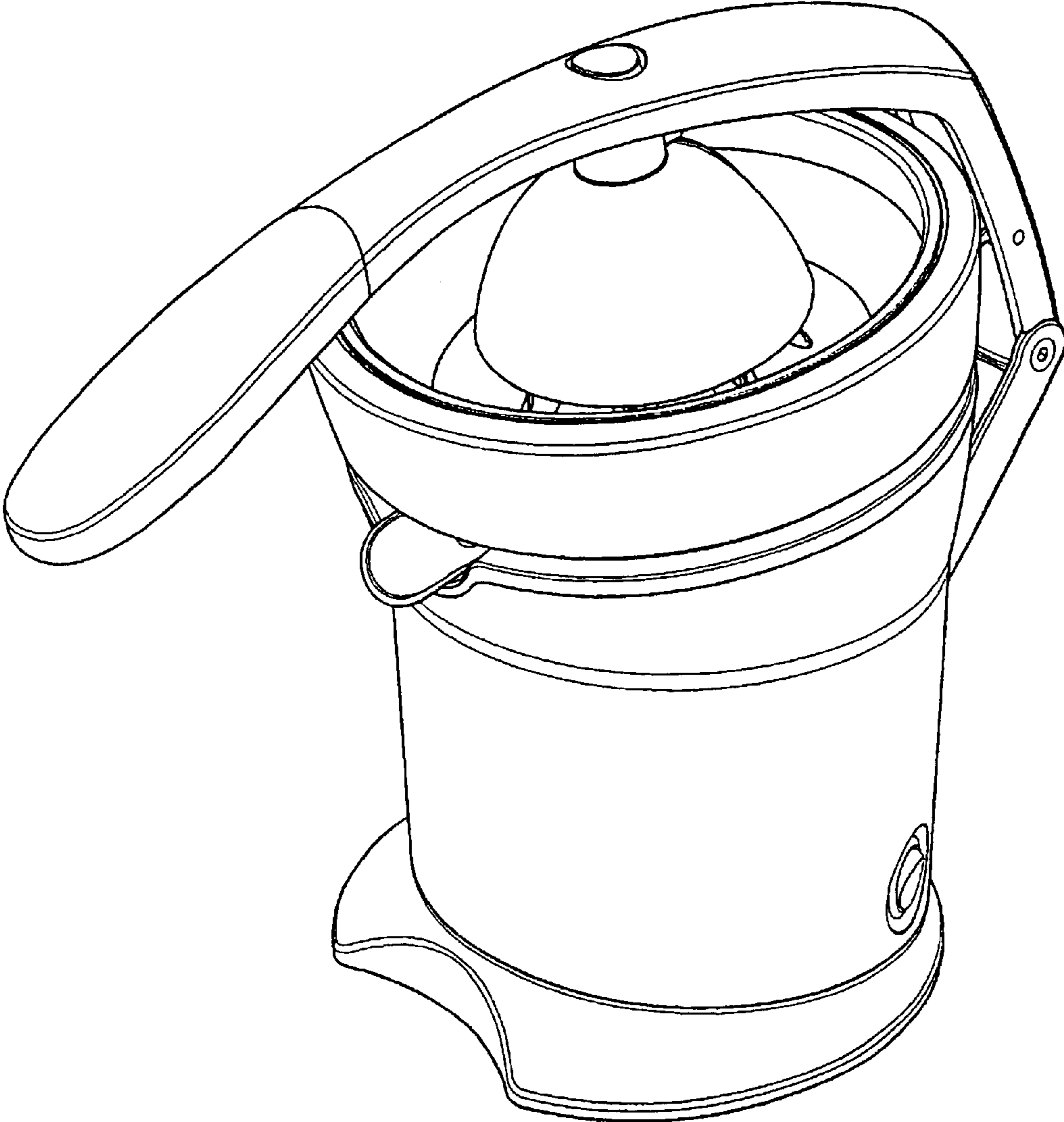


Figure 7

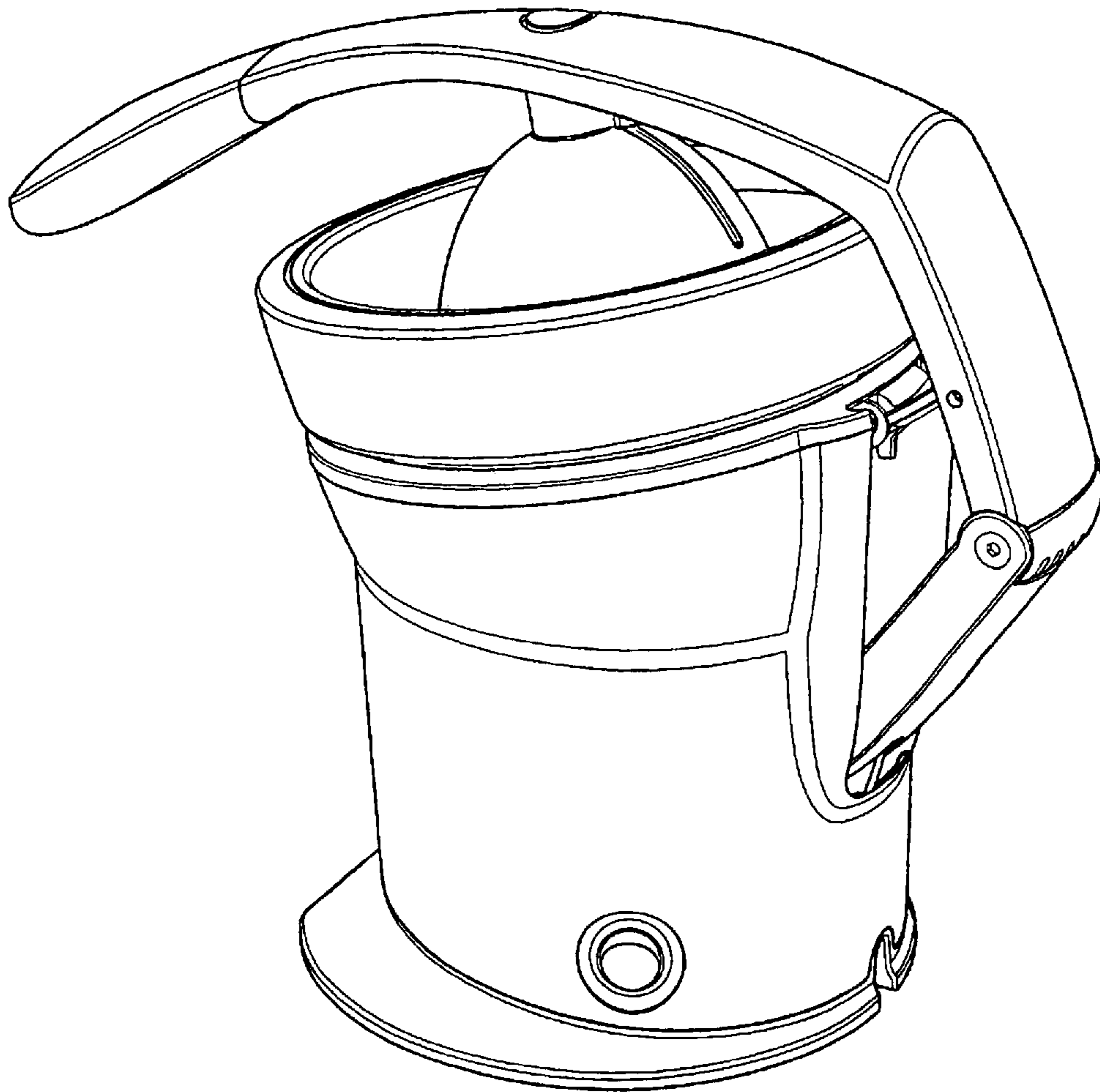


Figure 8