



US00D511942S

(12) **United States Design Patent** (10) **Patent No.:** **US D511,942 S**  
**Laib et al.** (45) **Date of Patent:** **\*\* Nov. 29, 2005**

(54) **CONTAINER**

(75) Inventors: **Douglas M. Laib**, Orlando, FL (US);  
**John-Michael R. Ekeblad**, Orlando, FL (US)

(73) Assignee: **Dart Industries Inc.**, Orlando, FL (US)

(\*\*) Term: **14 Years**

(21) Appl. No.: **29/204,356**

(22) Filed: **Apr. 28, 2004**

(51) **LOC (8) Cl.** ..... **07-01**

(52) **U.S. Cl.** ..... **D7/602**

(58) **Field of Search** ..... D7/602, 629, 538-542;  
D3/201, 203, 206, 273, 274; D9/424-432;  
220/675, 780-783, 792-799, 805; D19/75,  
86, 90-92

(56) **References Cited**

**U.S. PATENT DOCUMENTS**

D159,884 S	*	8/1950	Baldanza	.....	D9/424
4,697,703 A		10/1987	Will		
4,742,585 A		5/1988	Logsdon		
D302,774 S		8/1989	Murphy		
4,989,731 A		2/1991	Shuert		
5,007,231 A		4/1991	Ingemann		
D330,161 S		10/1992	Schuh		
D334,499 S		4/1993	Meisner et al.		

(Continued)

**FOREIGN PATENT DOCUMENTS**

JP	D1153951	8/2002
JP	D1153952	8/2002
JP	D1153953	8/2002
JP	D1153954	8/2002

**OTHER PUBLICATIONS**

Tupperware Collection Catalog, Sep. 2002, pp. 36 and 37 showing above listed Japanese Design Registrations 1153951; 1153952; 1153953; 1153954.

*Primary Examiner*—Terry A. Wallace  
(74) *Attorney, Agent, or Firm*—John A. Doninger

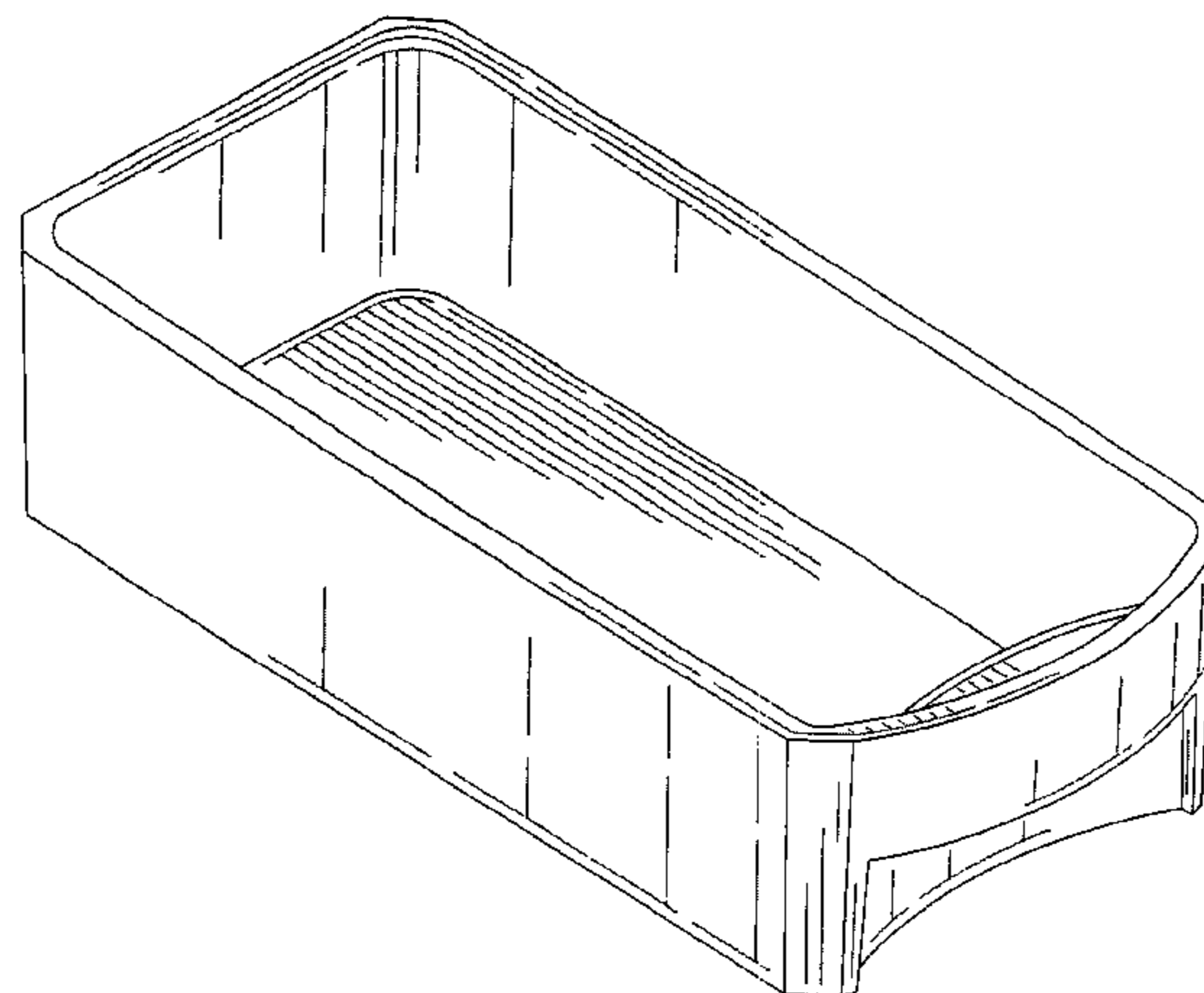
(57) **CLAIM**

The ornamental design for a container, as shown and described.

**DESCRIPTION**

FIG. 1 is a top, side and front perspective view of a first embodiment of a container showing the new design; FIG. 2 is a front elevation view thereof; FIG. 3 is a rear elevation view thereof; FIG. 4 is a left side elevation view thereof, the right side elevation being a mirror image thereof; FIG. 5 is a top plan view thereof; FIG. 6 is a bottom plan view thereof. FIG. 7 is a top, side and front perspective view of a second embodiment of a container showing the new design; FIG. 8 is a front elevation view thereof; FIG. 9 is a rear elevation view thereof; FIG. 10 is a left side elevation view thereof, the right side elevation being a mirror image thereof; FIG. 11 is a top plan view thereof; FIG. 12 is a bottom plan view thereof; FIG. 13 is a top, side and front perspective view of a third embodiment of a container showing the new design; FIG. 14 is a front elevation view thereof; FIG. 15 is a rear elevation view thereof; FIG. 16 is a left side elevation view thereof, the right side elevation view being a mirror image thereof; FIG. 17 is a top plan view thereof; FIG. 18 is a bottom plan view thereof. FIG. 19 is a top, side and front perspective view of a fourth embodiment of a container showing the new design; FIG. 20 is a front elevation view thereof; FIG. 21 is a rear elevation view thereof; FIG. 22 is a left side elevation view thereof, the right side elevation view being a mirror image thereof; FIG. 23 is a top plan view thereof; and, FIG. 24 is a bottom plan view thereof.

**1 Claim, 13 Drawing Sheets**



# US D511,942 S

Page 2

## U.S. PATENT DOCUMENTS

5,363,978 A	11/1994	Molo	5,944,211 A	8/1999	Woodnorth et al. ....	220/203.13
5,377,858 A	1/1995	Morris	D418,021 S	12/1999	Terracciano et al. ....	D7/605
D366,397 S	1/1996	Zimmerman	D422,457 S	4/2000	Daenen et al. ....	D7/615
D371,053 S	6/1996	Lillelund et al.	D423,294 S	4/2000	Klein et al. ....	D7/605
5,535,940 A	7/1996	Olds	D437,984 S	2/2001	Weiss et al. ....	D34/1
D372,641 S	8/1996	Betend-Bon	D445,568 S	7/2001	Lippisch ....	D3/273
D373,053 S	8/1996	Allegre	D445,986 S	7/2001	Stanek et al. ....	D34/38
D387,530 S	12/1997	Doxey ..... D34/1	D448,662 S	10/2001	Collins et al. ....	D9/425
5,697,707 A	12/1997	Esposito	6,311,838 B1	11/2001	Johnson et al. ....	206/363
5,762,228 A	6/1998	Morgan et al. ....	6,318,586 B1	11/2001	Frankenberg ....	220/826
D397,552 S	9/1998	Rutledge ..... D3/302	D455,614 S	4/2002	Miller ....	D7/629
D398,485 S	9/1998	Landauer et al. ....	6,371,363 B1	4/2002	Franklin et al. ....	229/109
D405,576 S	2/1999	Rausch ..... D34/1	D462,877 S	9/2002	Lillelund et al. ....	D7/602
D413,231 S	8/1999	Loew et al. .... D7/612				

\* cited by examiner

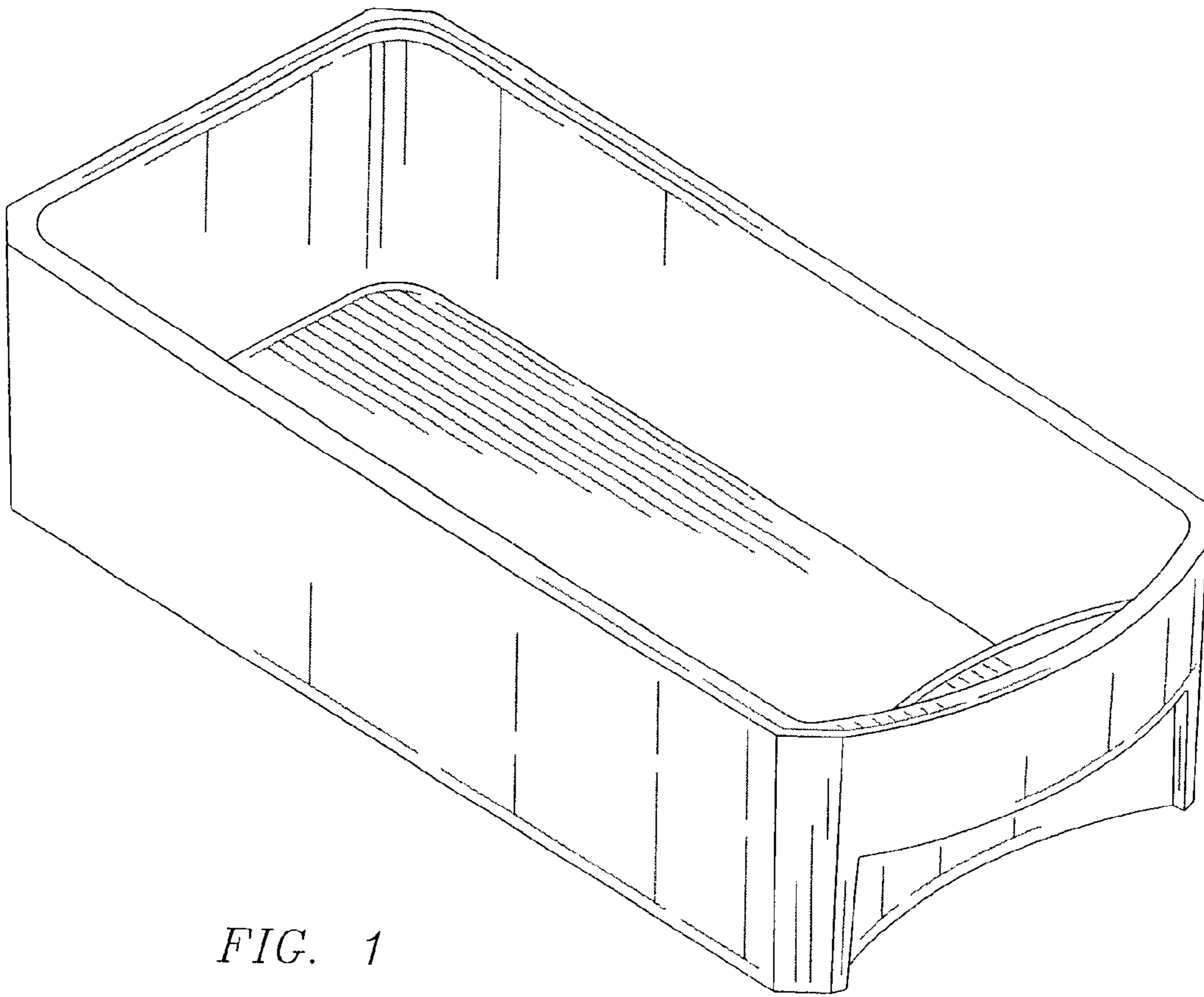


FIG. 1

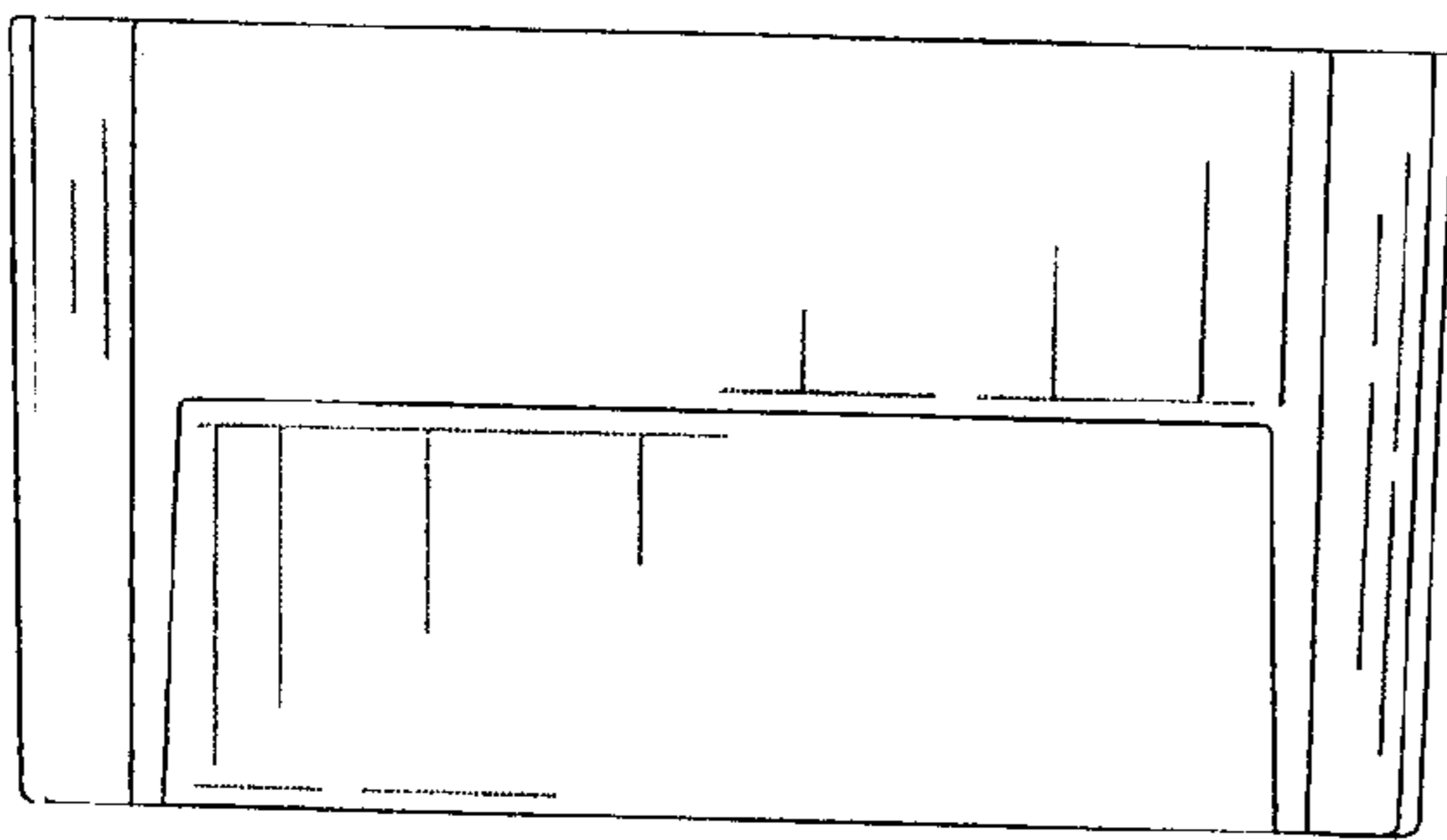


FIG. 2

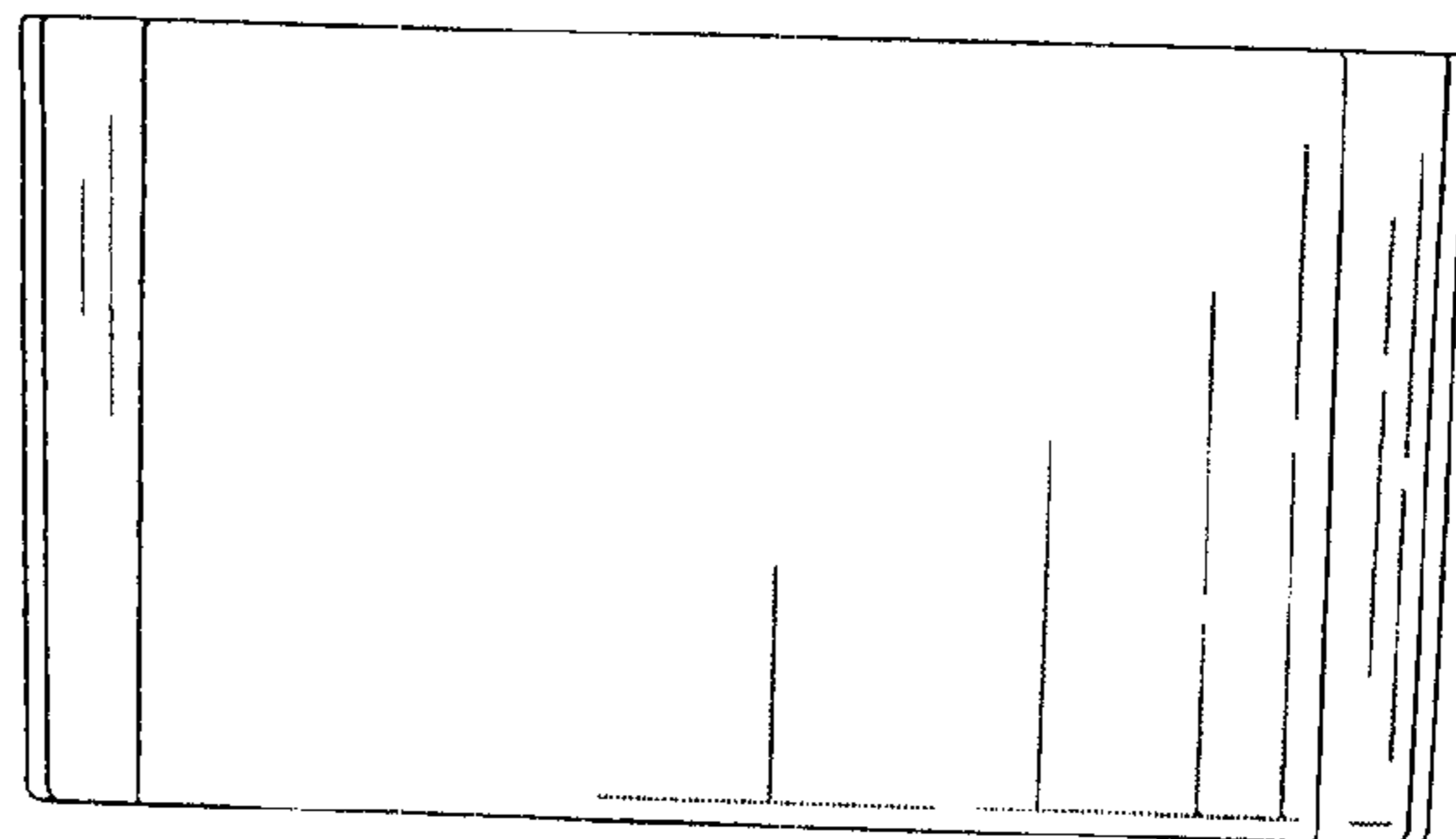


FIG. 3

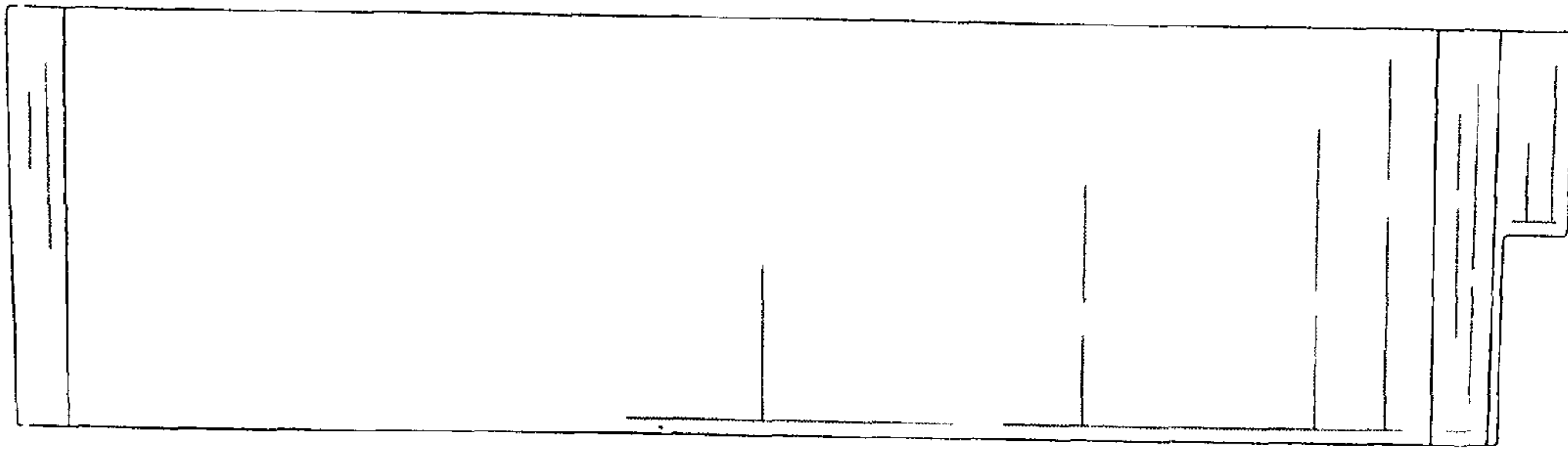


FIG. 4

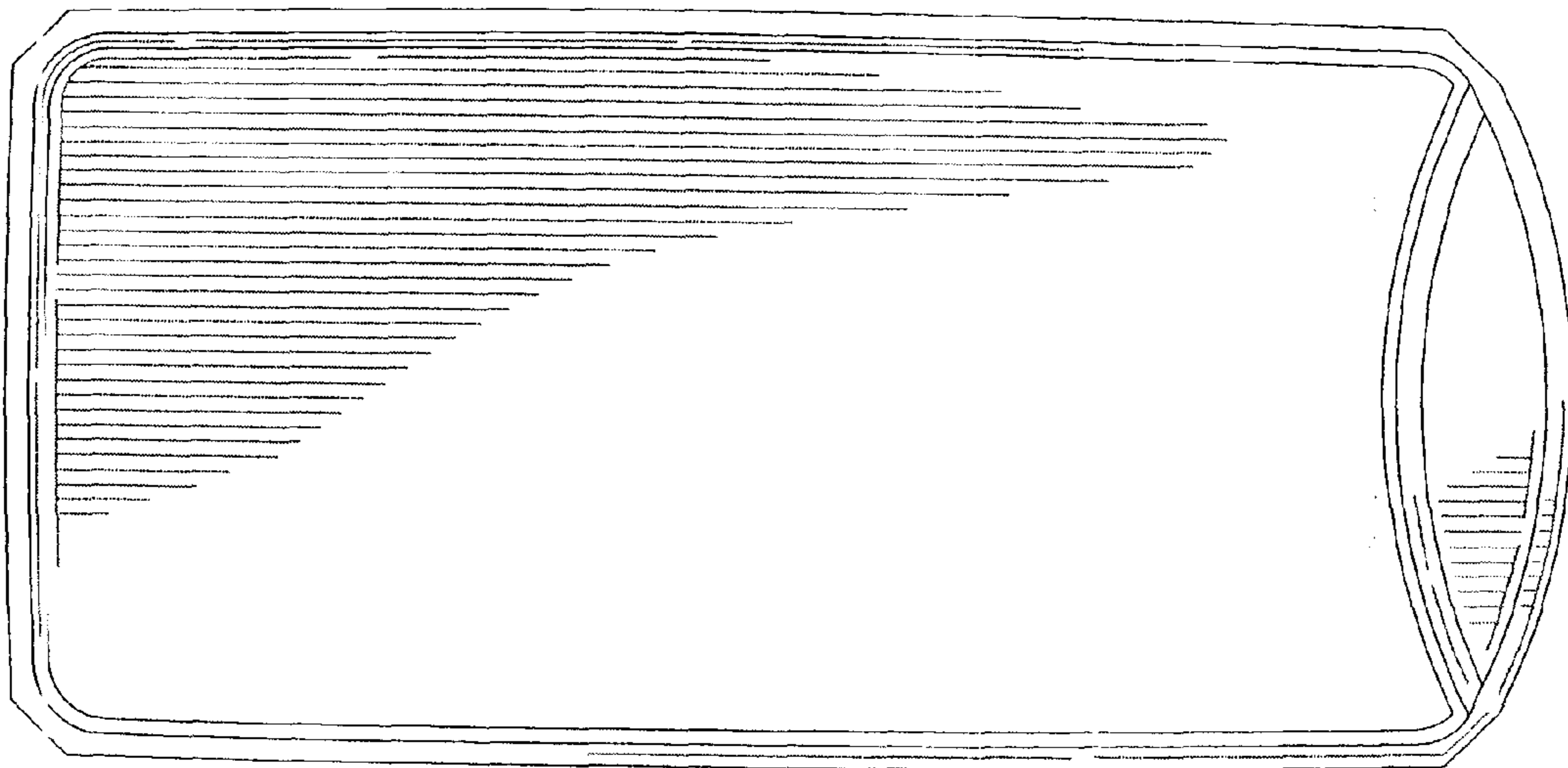


FIG. 5

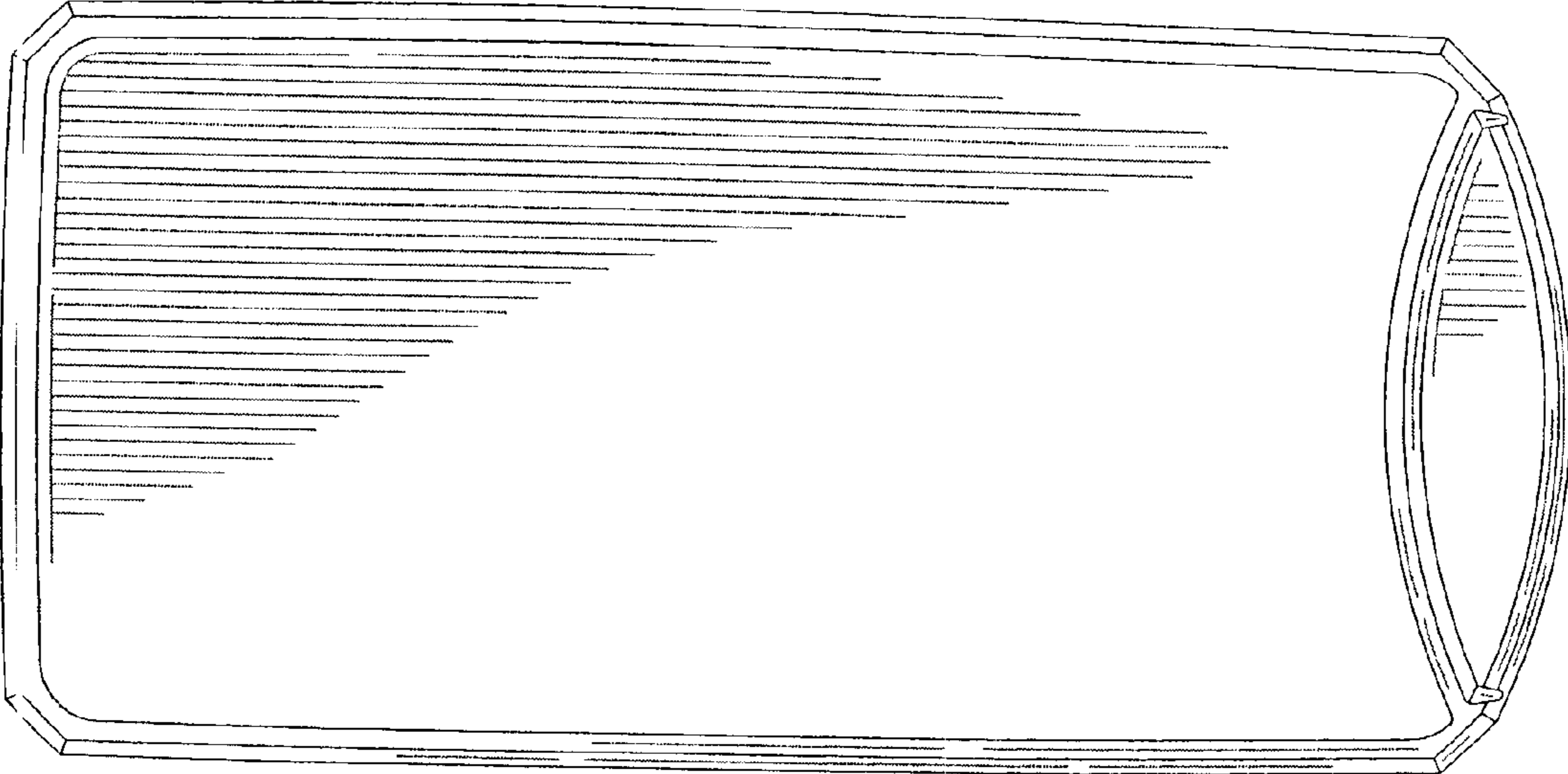


FIG. 6

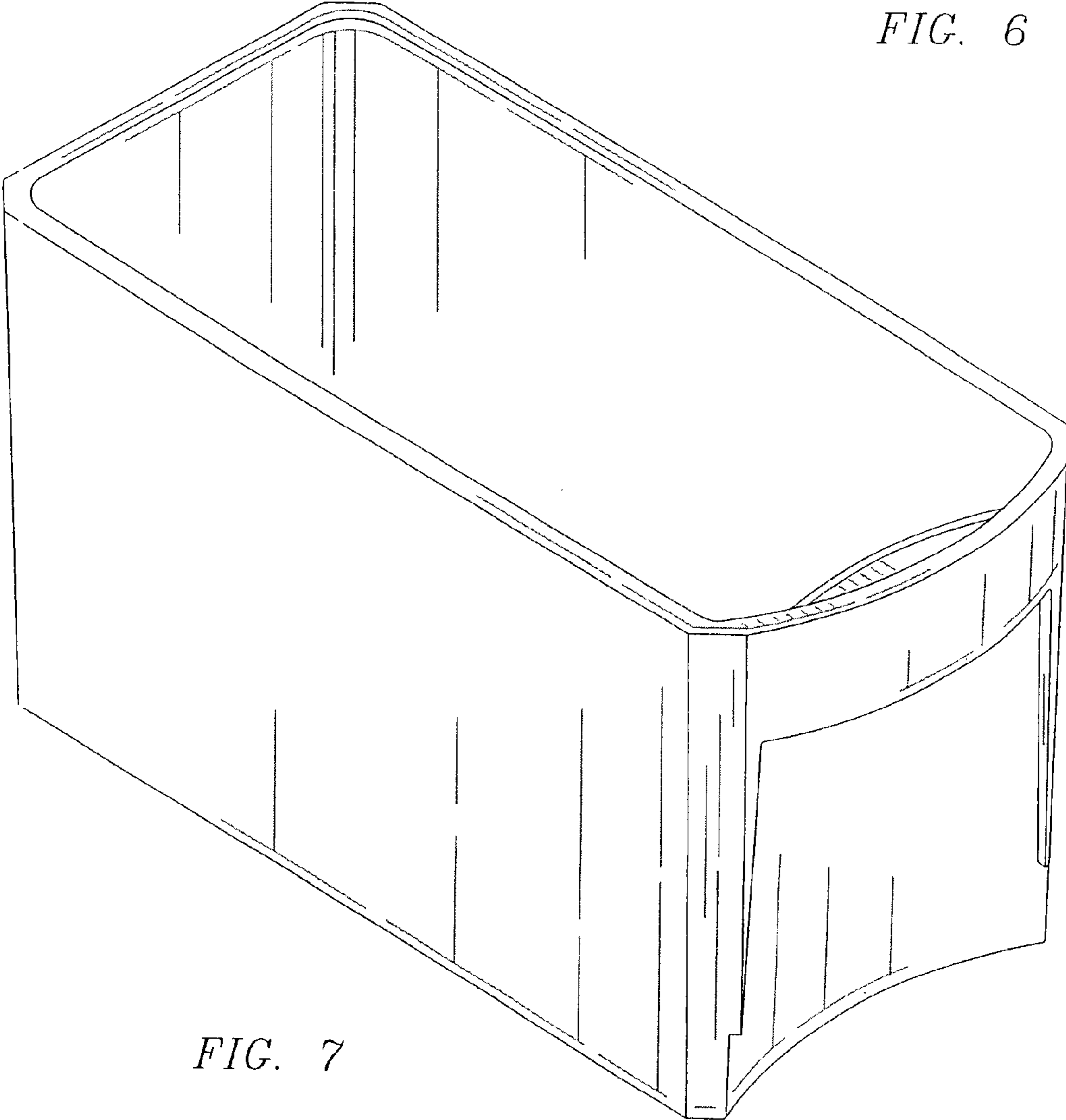


FIG. 7

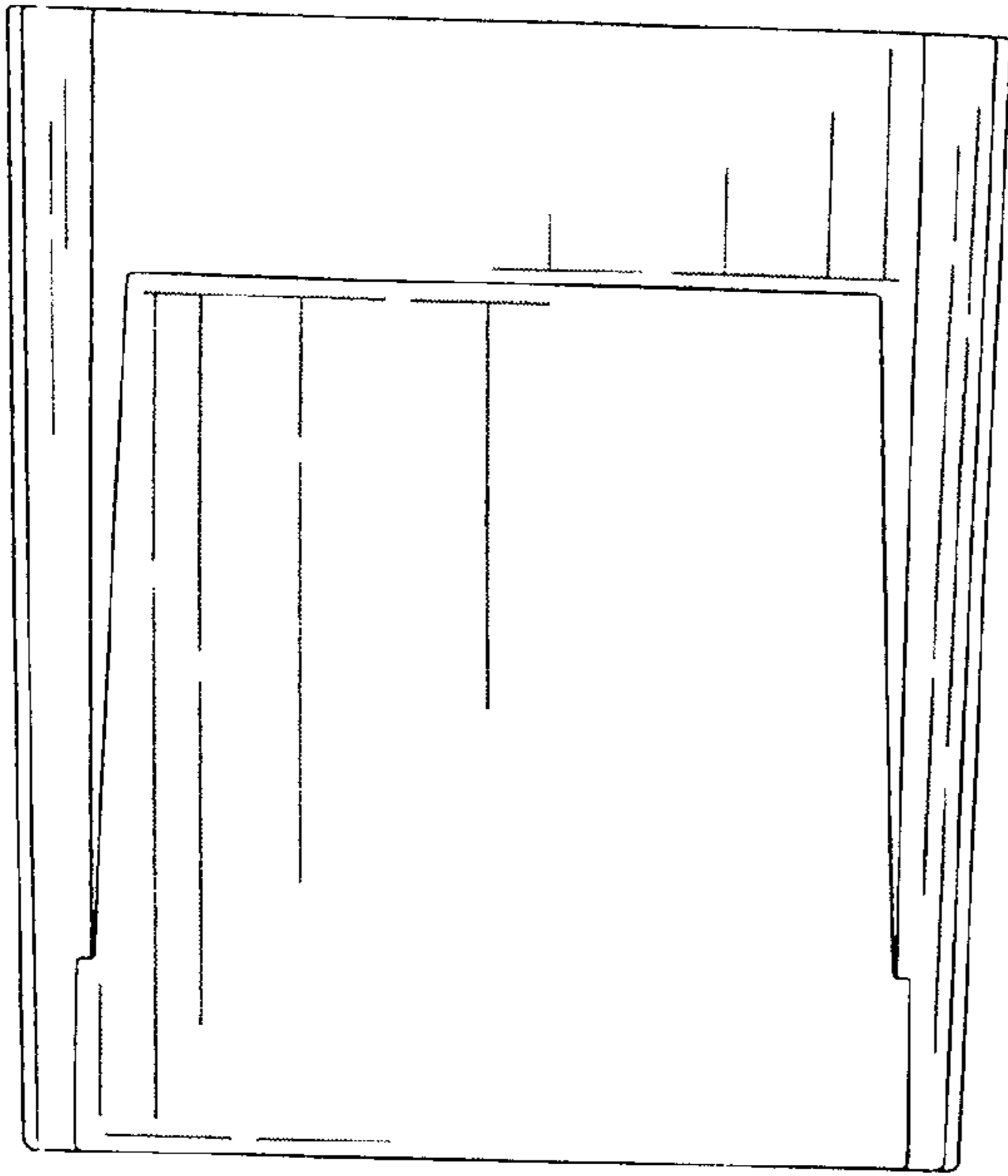


FIG. 8

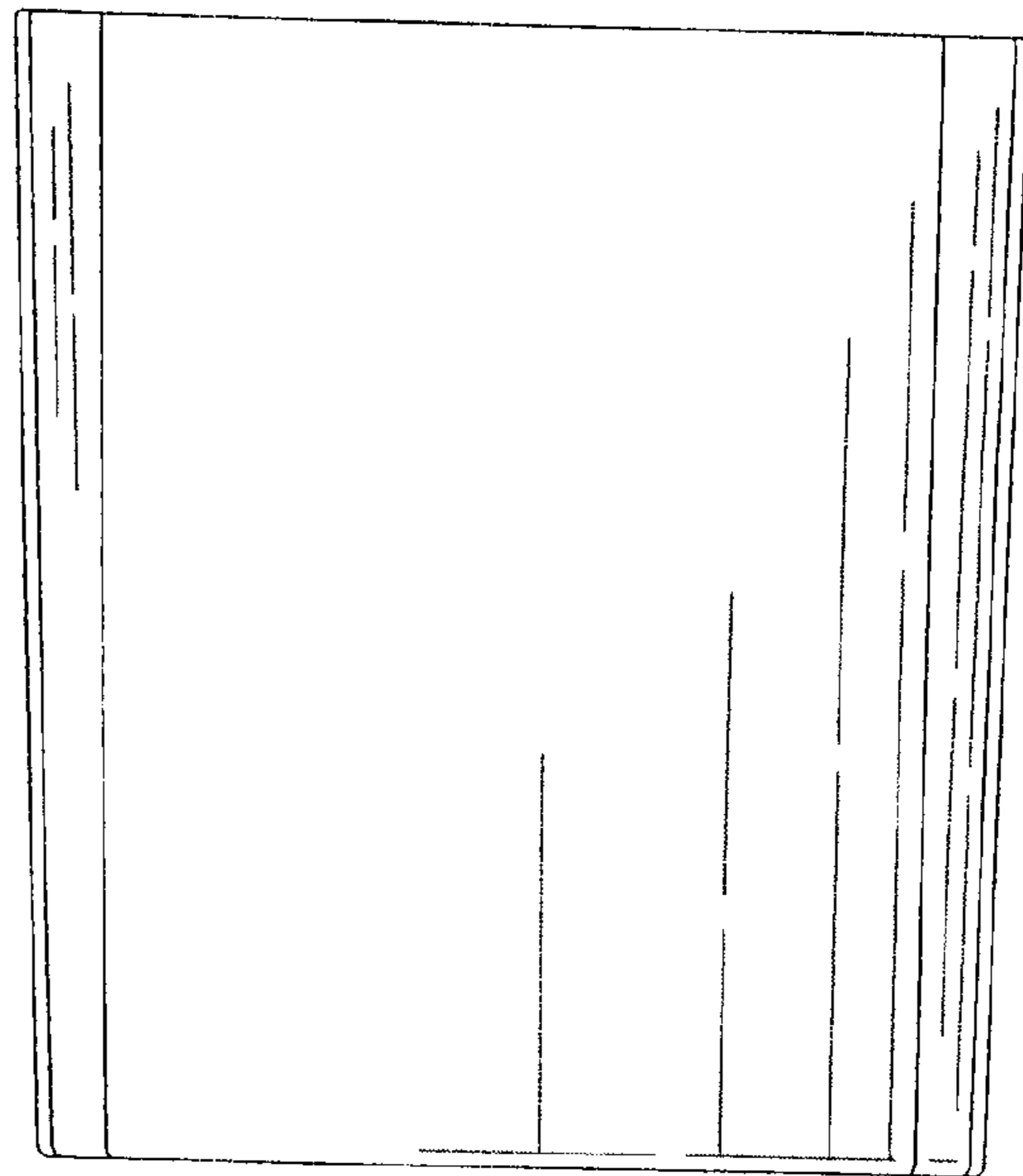


FIG. 9

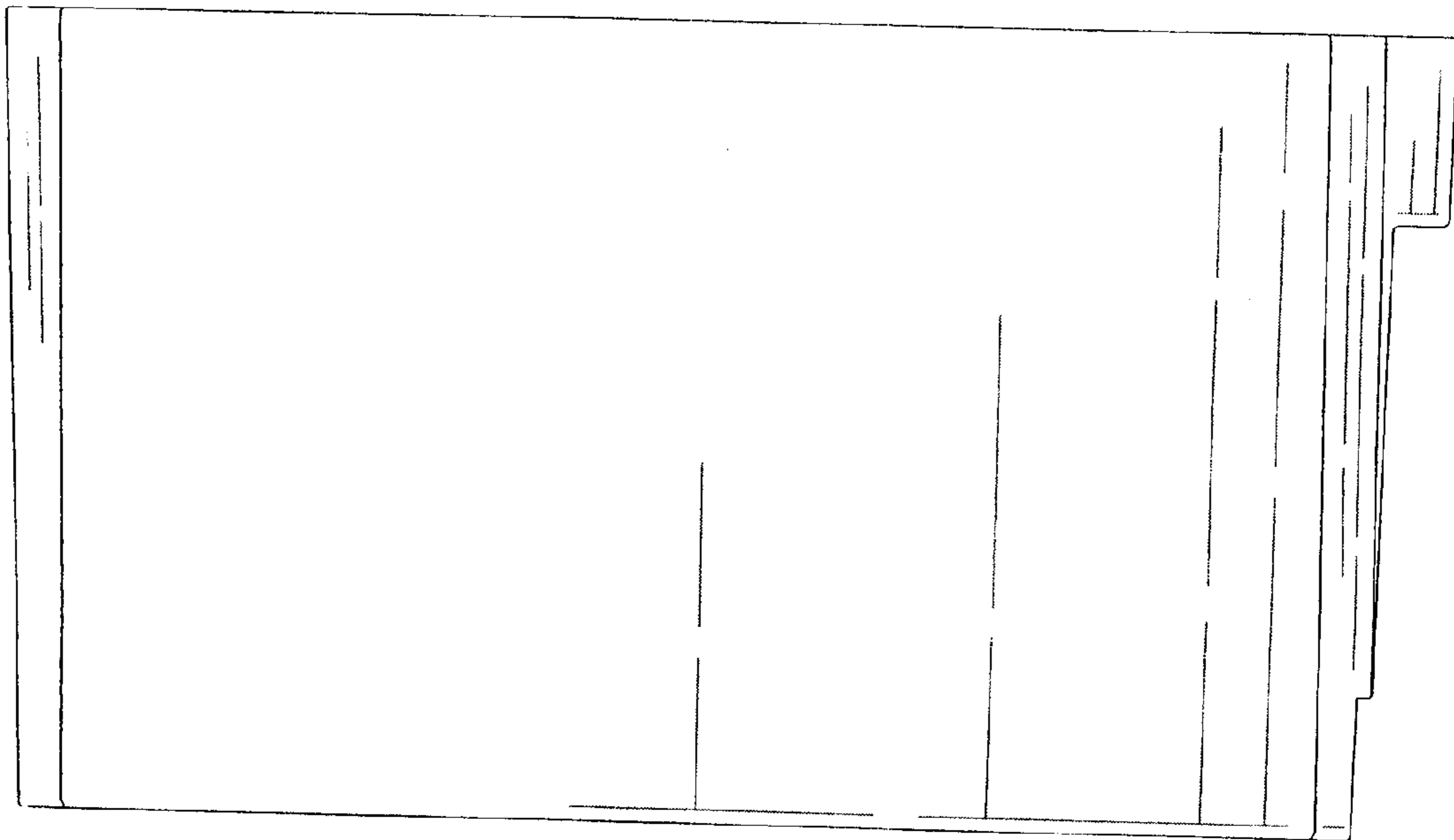


FIG. 10

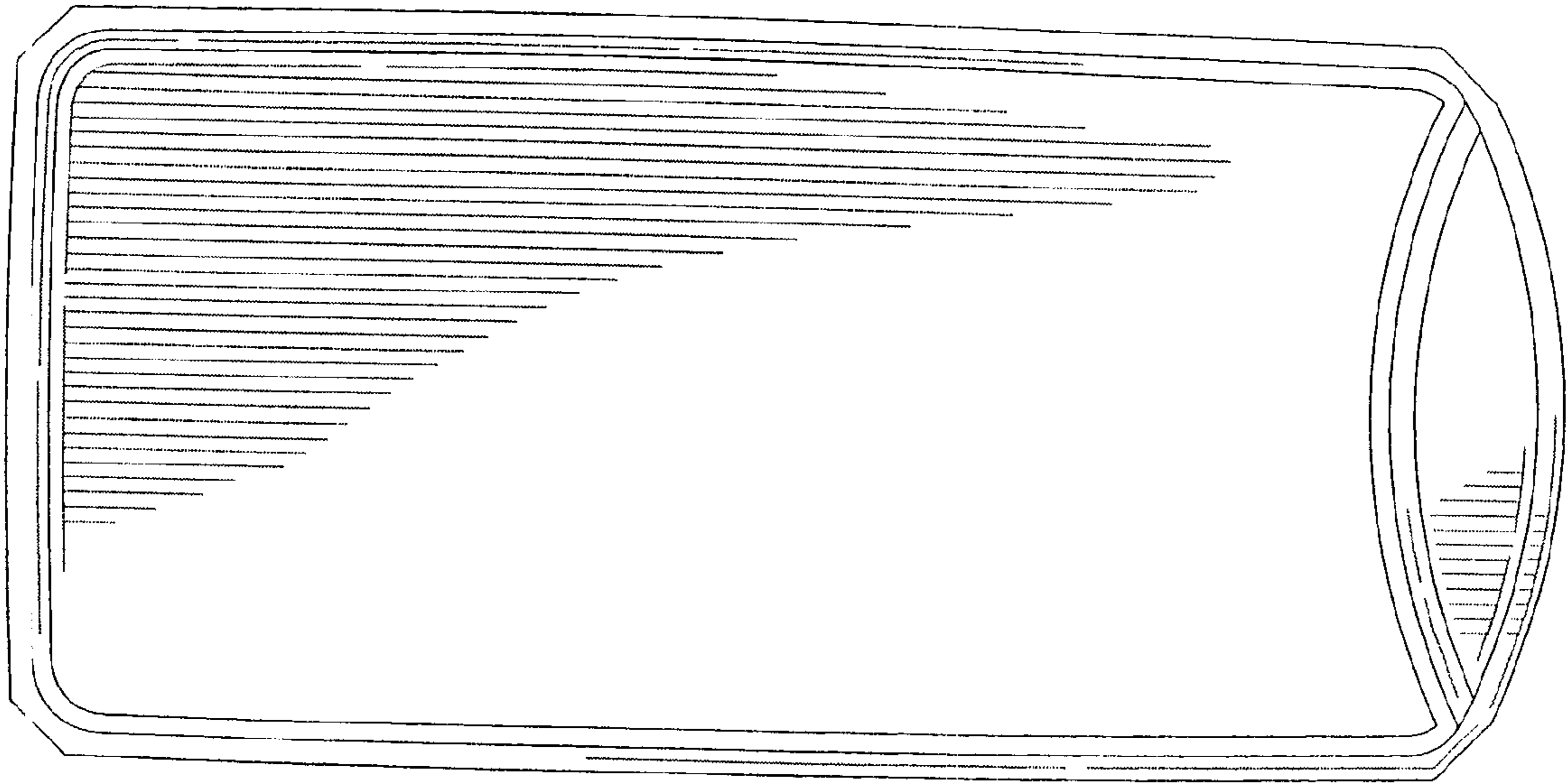


FIG. 11

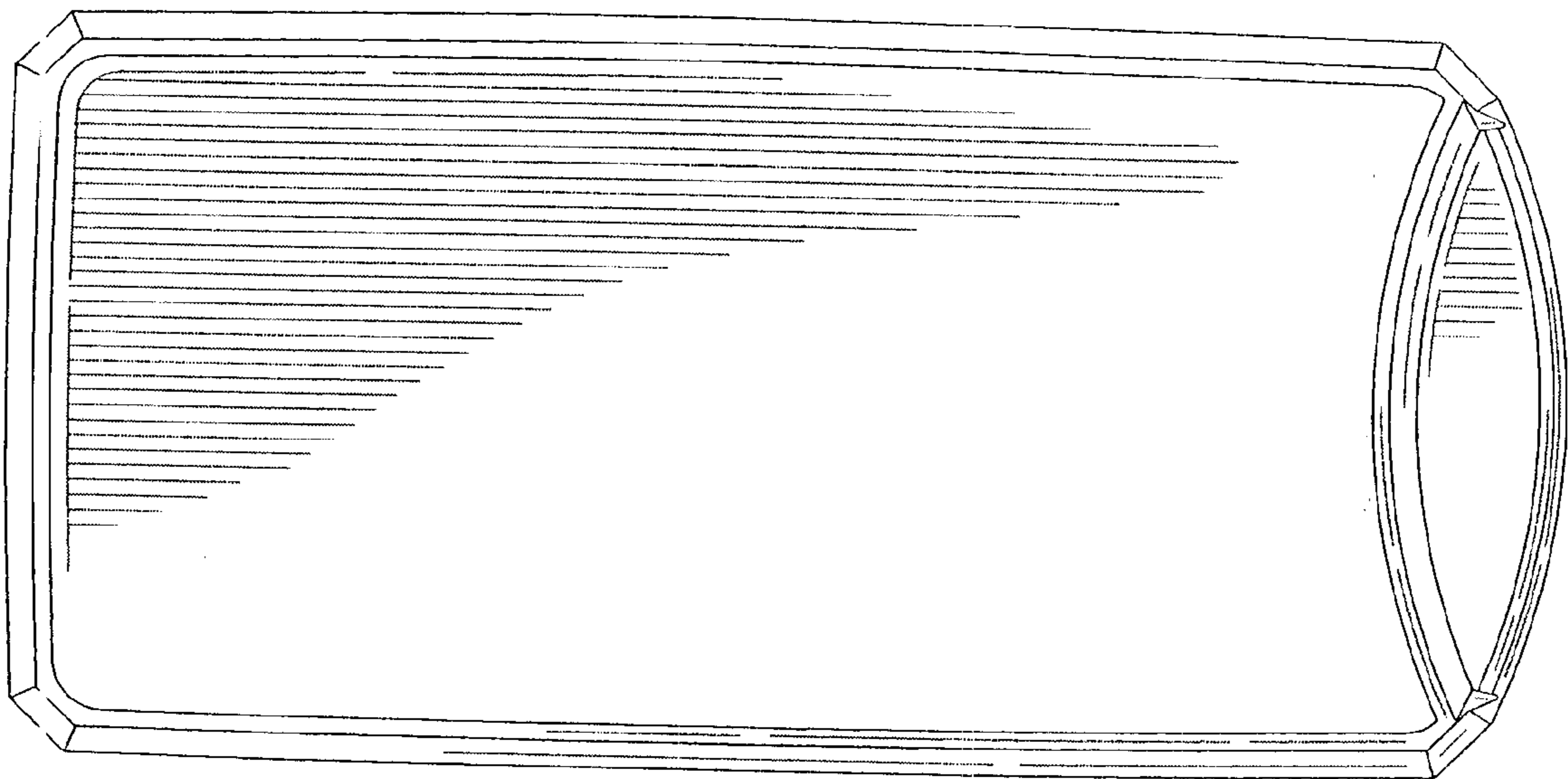


FIG. 12

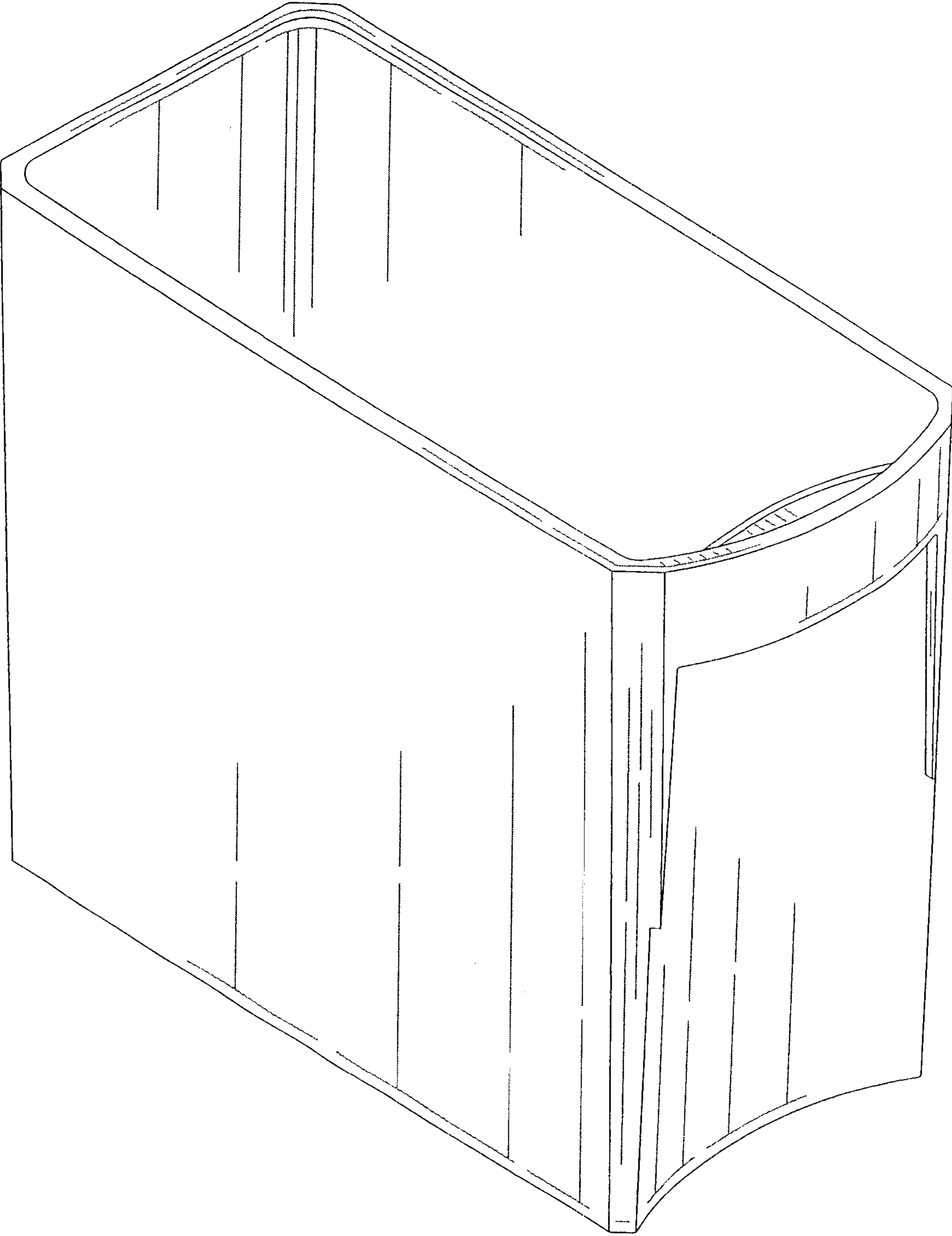


FIG. 13



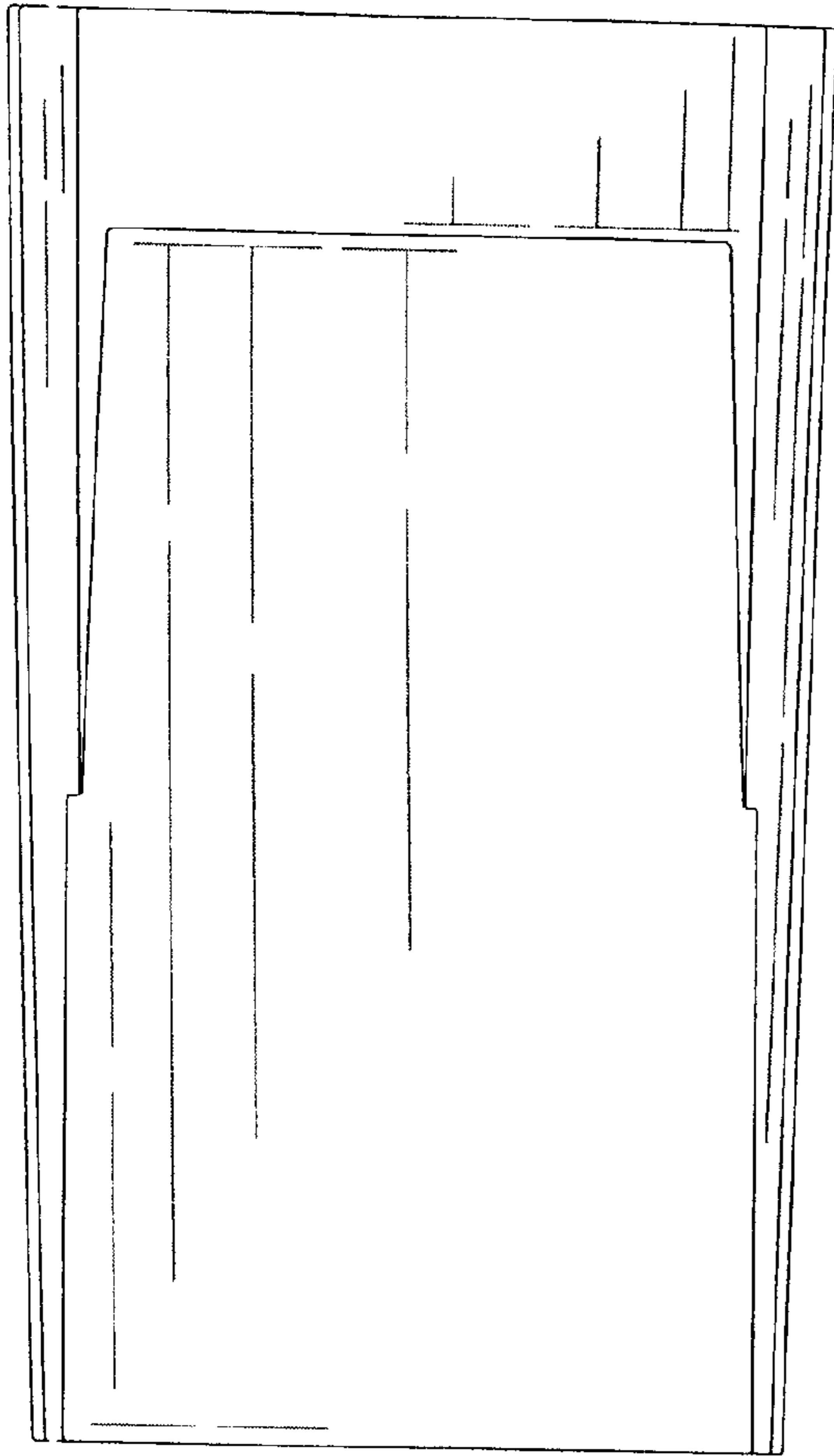


FIG. 14

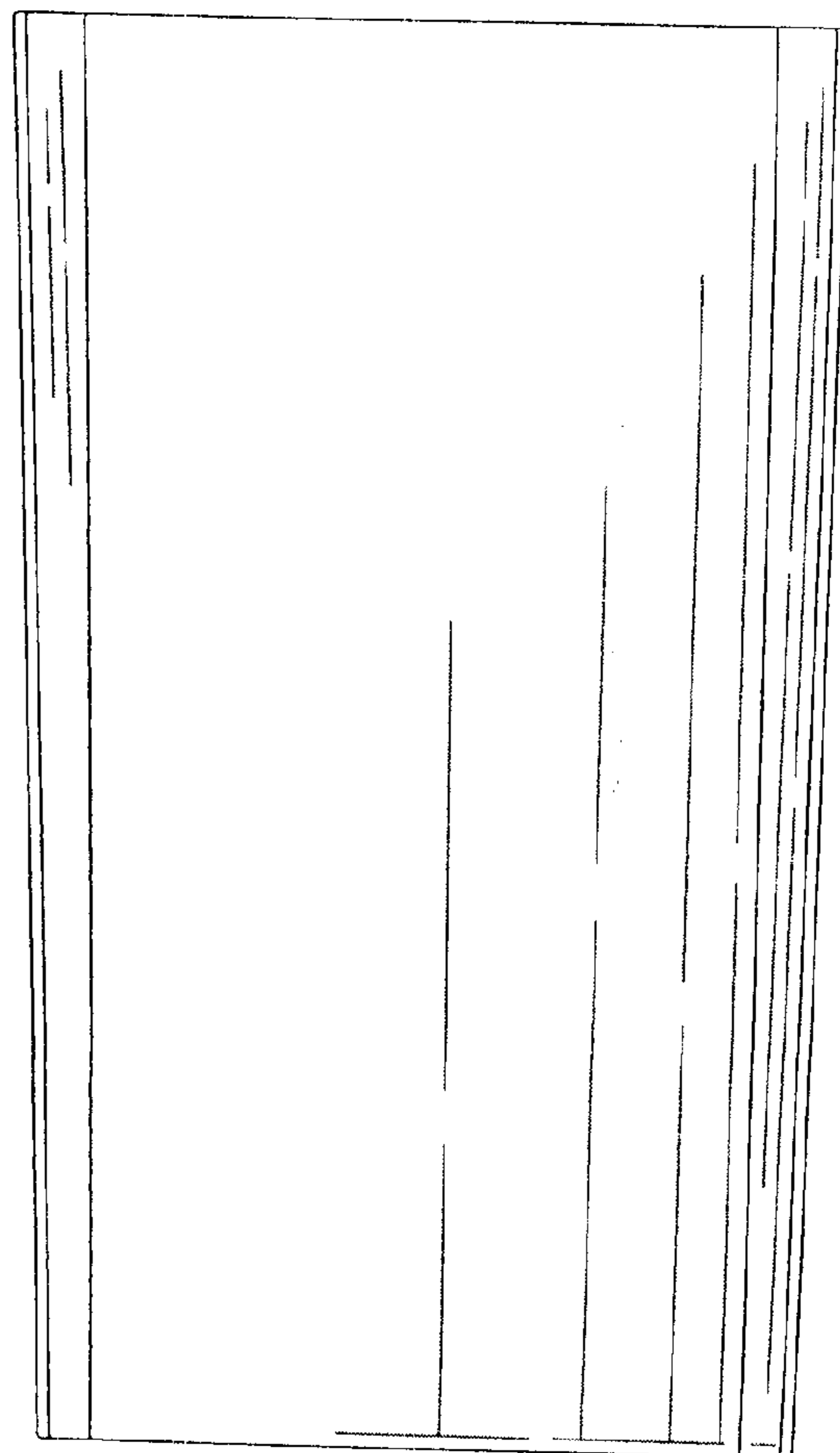


FIG. 15

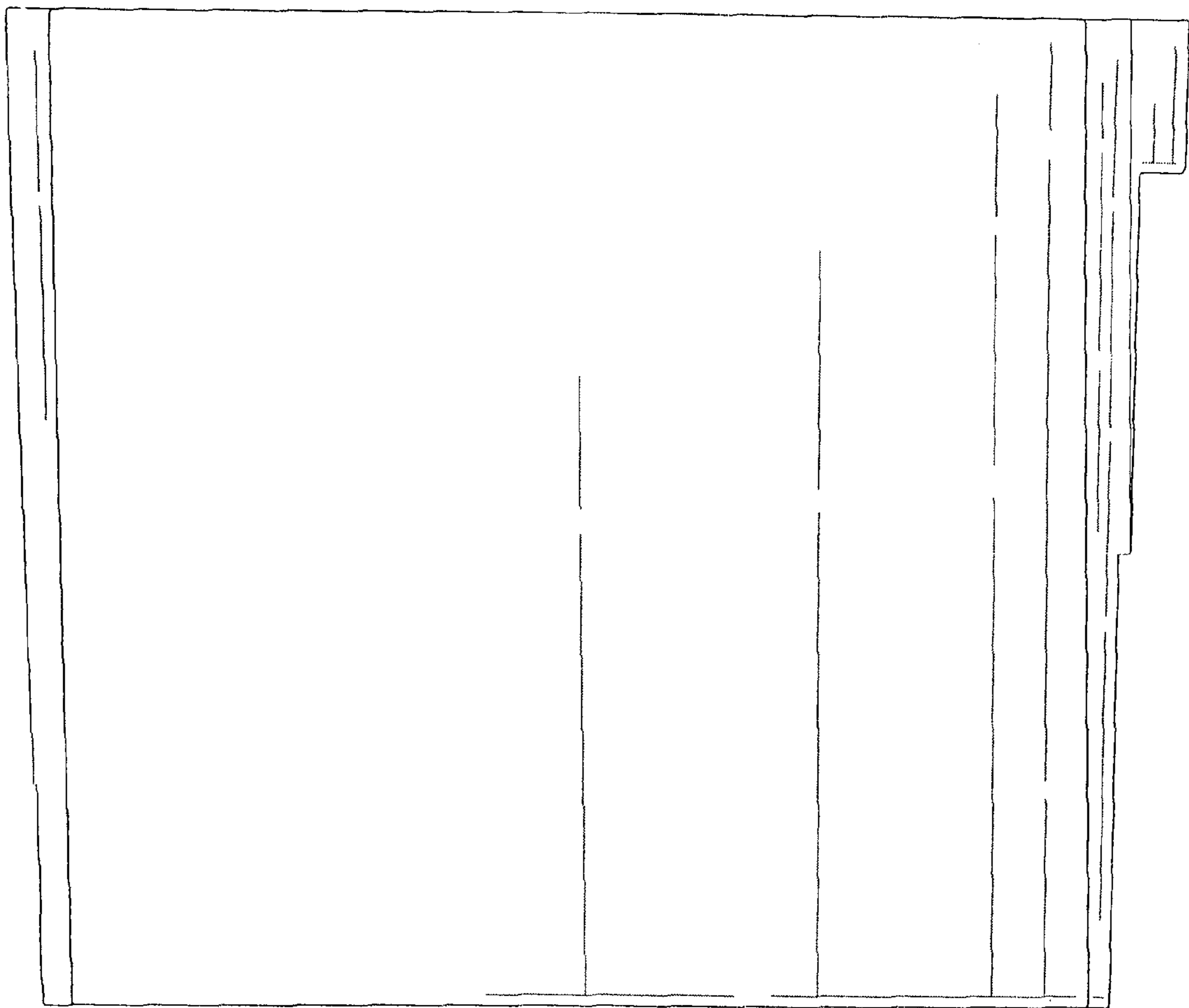


FIG. 16

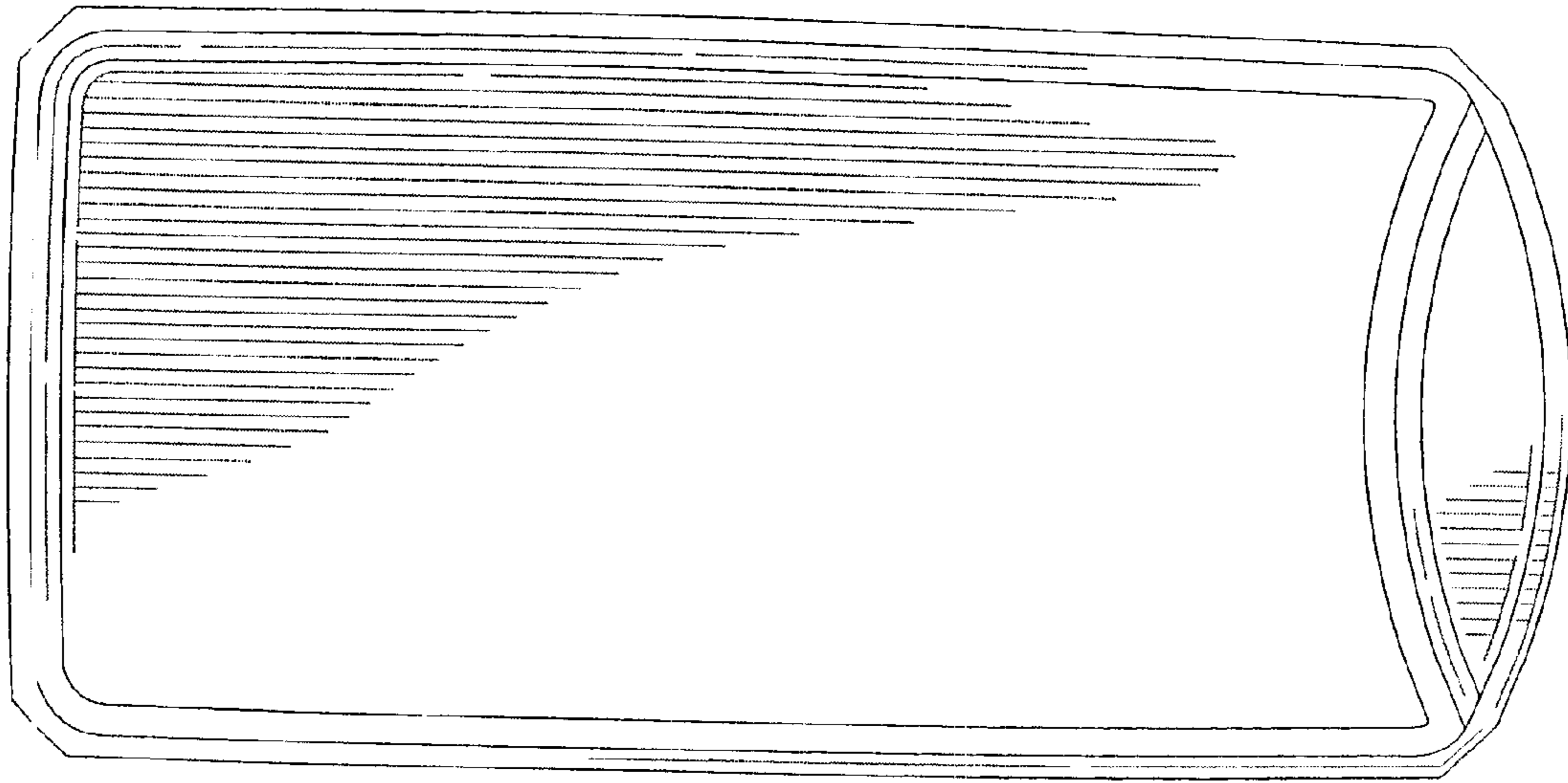


FIG. 17

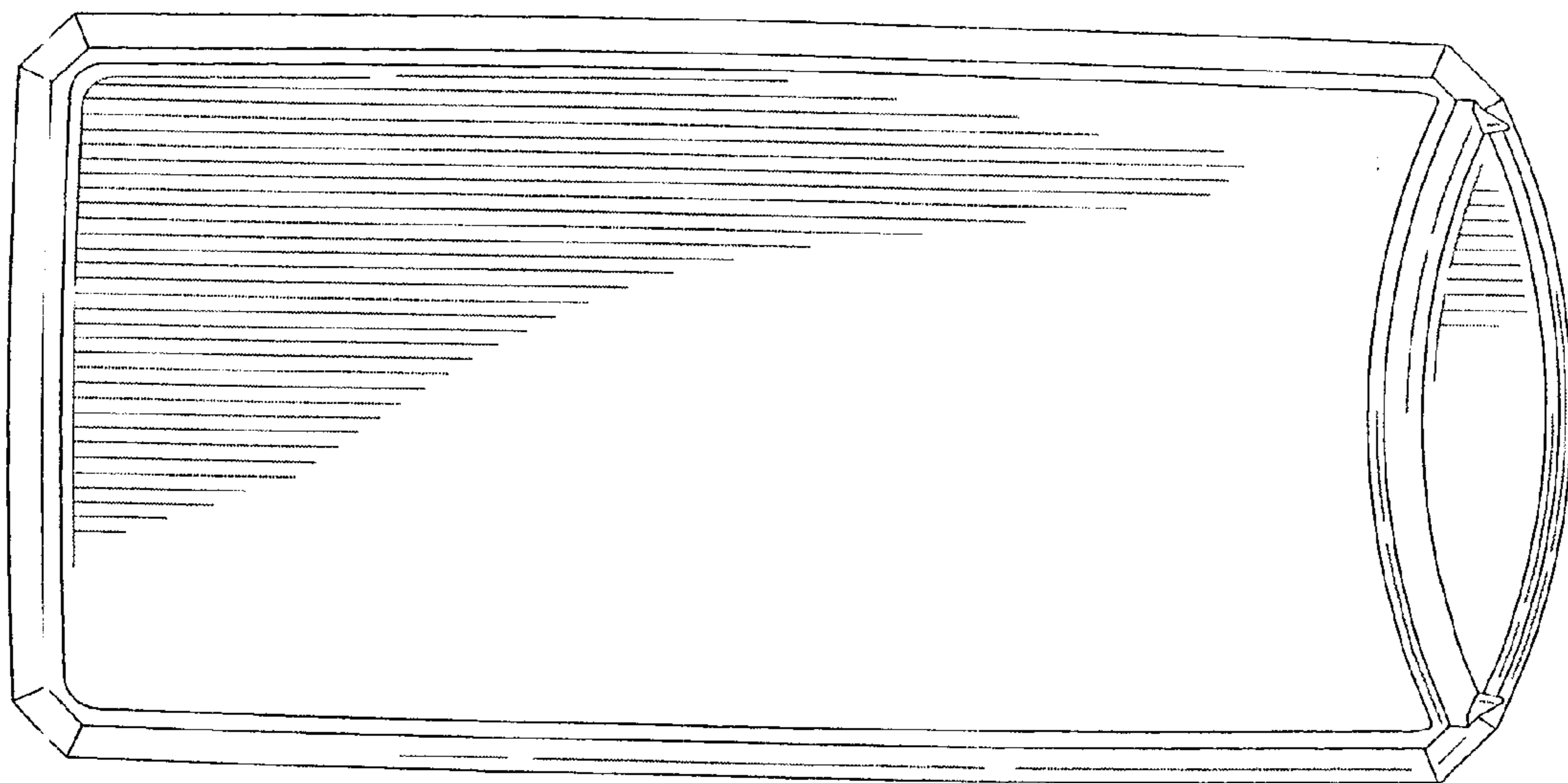


FIG. 18

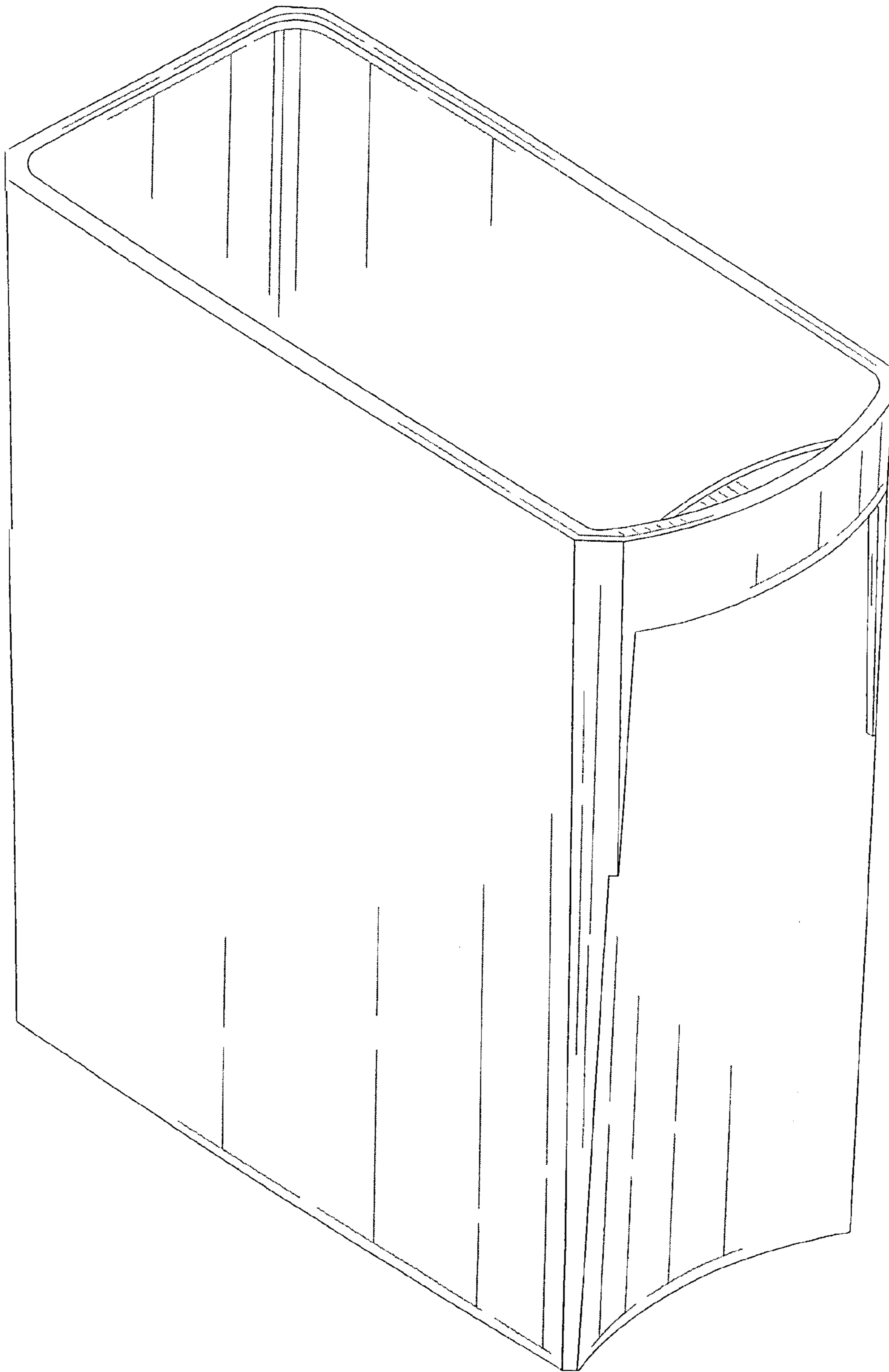
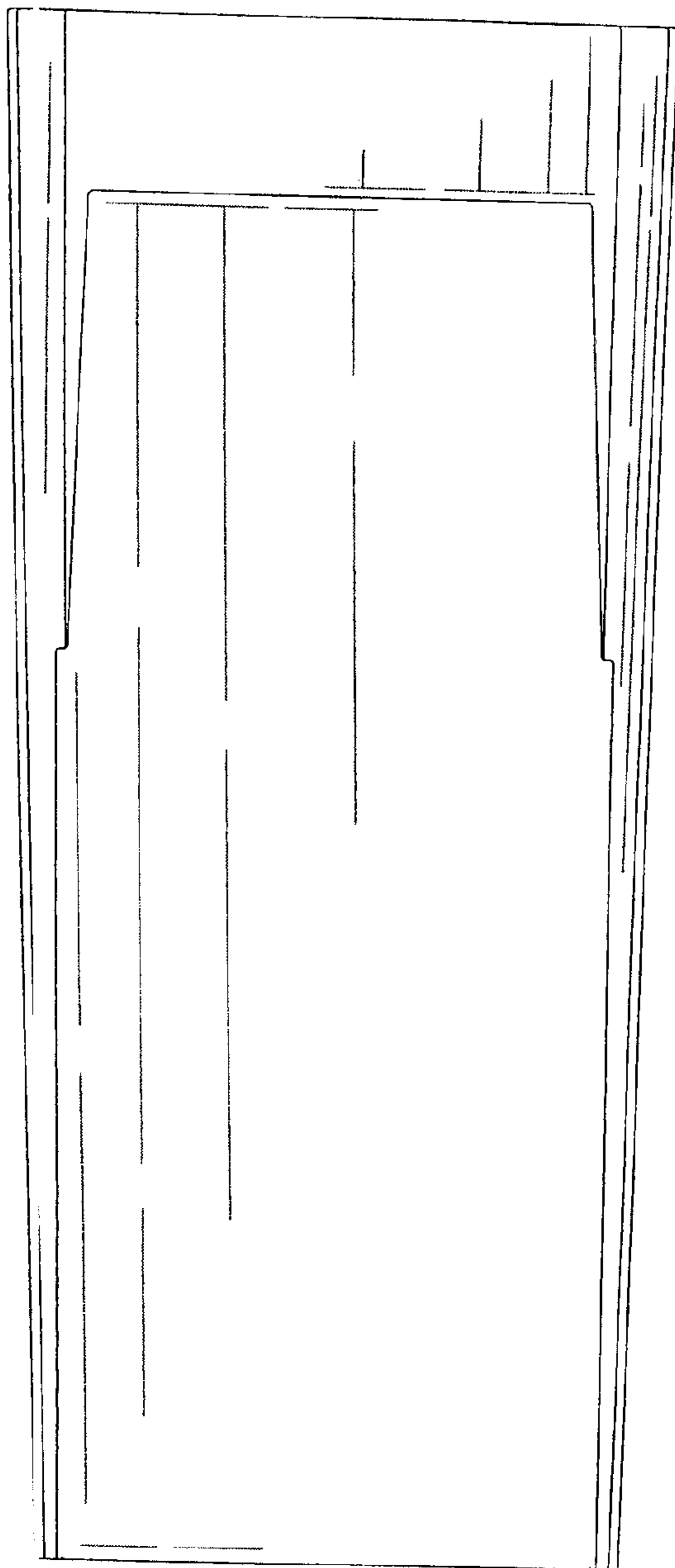
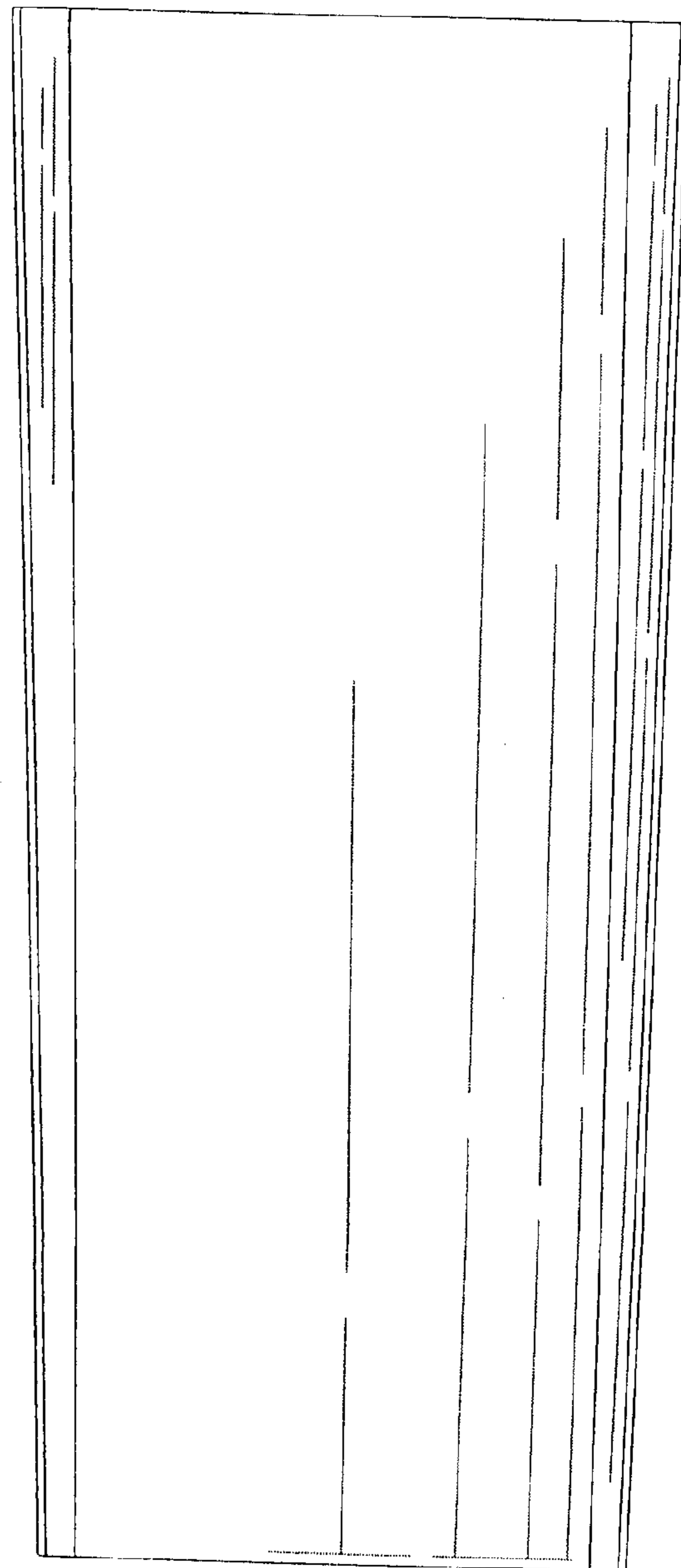


FIG. 19



*FIG. 20*



*FIG. 21*

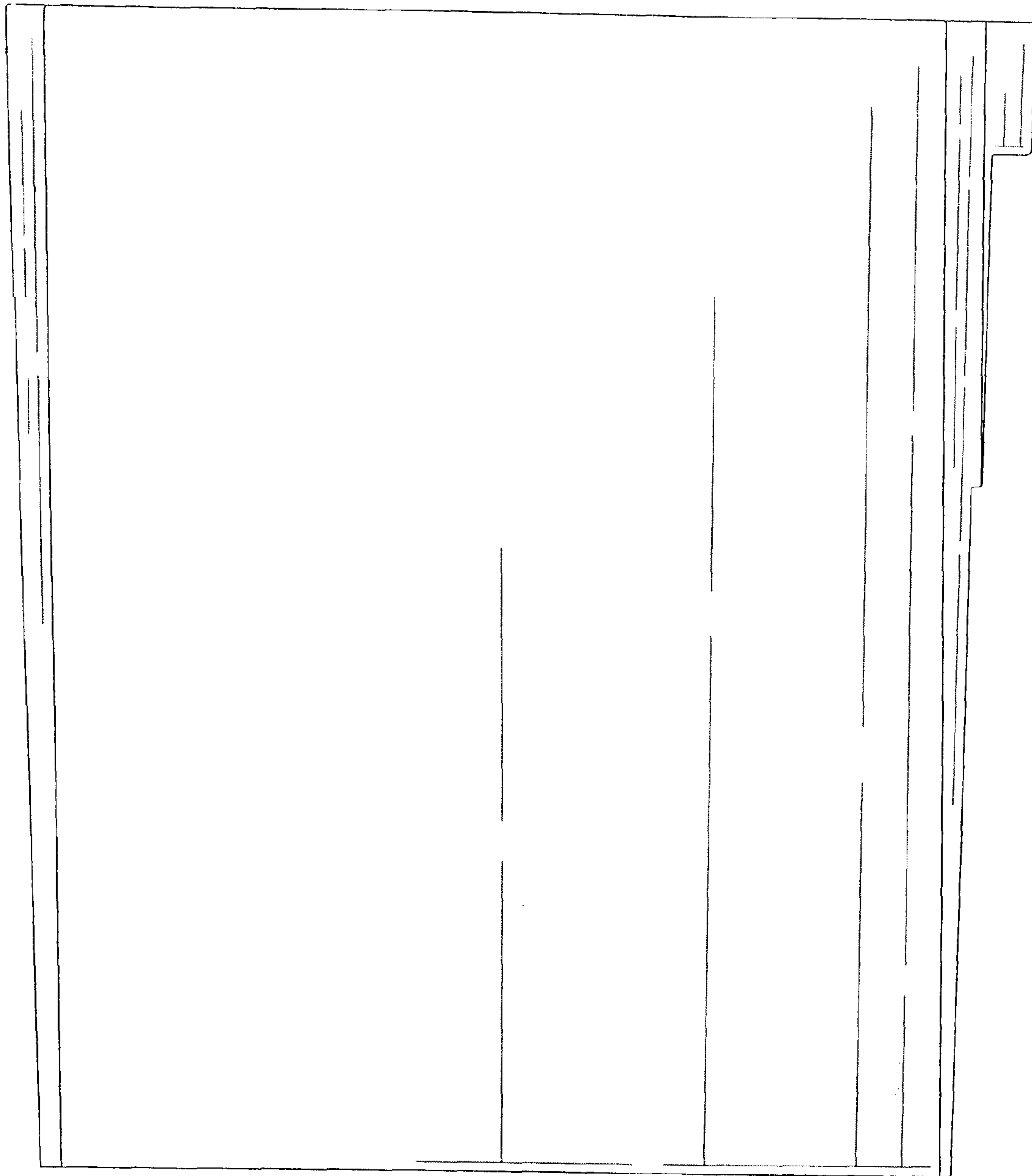


FIG. 22

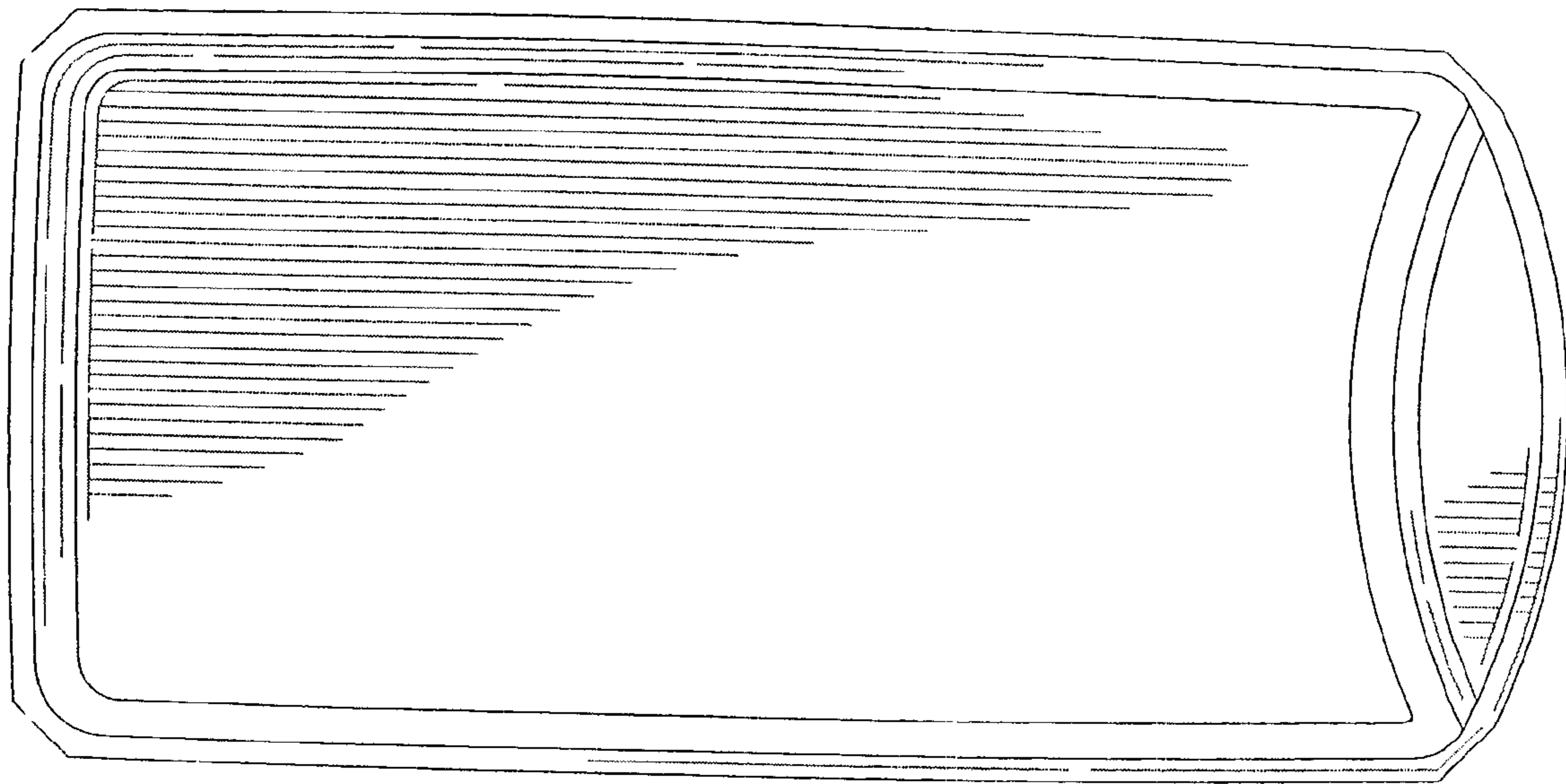


FIG. 23

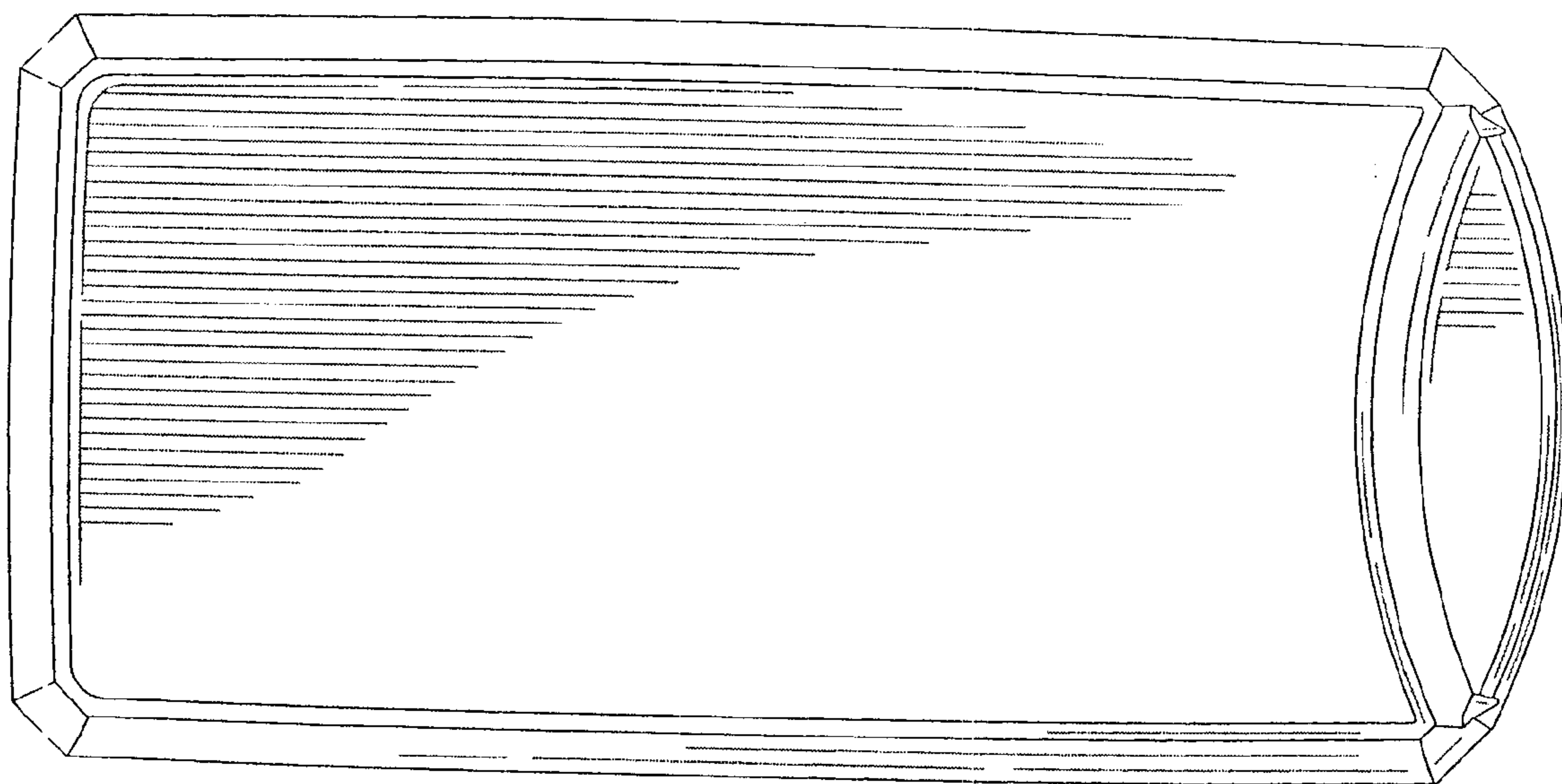


FIG. 24