



US00D511934S

(12) **United States Design Patent**
Grady et al.

(10) **Patent No.:** **US D511,934 S**
(45) **Date of Patent:** **** Nov. 29, 2005**

(54) **PORTABLE FIRE PIT**

(75) Inventors: **Jeffrey T. Grady**, Naperville, IL (US);
David Henke, Hawthorn Woods, IL (US)

(73) Assignee: **Fleming Sales Company, Inc.**, West Chicago, IL (US)

(**) Term: **14 Years**

(21) Appl. No.: **29/198,806**

(22) Filed: **Feb. 4, 2004**

(51) **LOC (8) Cl.** **07-02**

(52) **U.S. Cl.** **D7/402**

(58) **Field of Search** D7/332, 334-337,
D7/402-405, 346, 362-367; 126/25 R,
25 A, 25 AA, 40, 41 R, 38-39 R, 50, 304 R,
305, 9 R, 19 M, 245; 108/115; 99/450;
219/451.1, 452.11, 455.11, 385, 520, 450.1;
248/129, 188.6, 250, 439

(56) **References Cited**

U.S. PATENT DOCUMENTS

D252,248 S	*	7/1979	Huff	D7/334
D260,225 S	*	8/1981	Larson	D7/335
D260,348 S	*	8/1981	Larson	D7/335
D275,439 S	*	9/1984	Hutchison et al.	D7/334
D279,535 S	*	7/1985	Taylor et al.	D7/334
5,598,834 A		2/1997	Grady		
5,836,298 A		11/1998	Grady		
5,960,788 A		10/1999	Bach et al.		

D420,115 S		2/2000	Bach et al.		
D438,750 S	*	3/2001	Mashburn et al.	D7/335
6,220,240 B1		4/2001	Grady et al.		
6,286,503 B1		9/2001	Bach et al.		
6,439,225 B2		8/2002	Bach et al.		
D474,063 S	*	5/2003	Eisinger et al.	D7/334
D480,596 S	*	10/2003	Dellinger et al.	D7/335
D483,983 S	*	12/2003	Harrod et al.	D7/334
D488,025 S	*	4/2004	Tseng	D7/402
6,755,187 B2	*	6/2004	Harrod et al.	126/25 R
2001/0032642 A1		10/2001	Bach et al.		
2003/0041855 A1		3/2003	Grady et al.		

* cited by examiner

Primary Examiner—Ruth McInroy

(74) *Attorney, Agent, or Firm*—Cook, Alex, McFarron, Manzo, Cummings & Mehler

(57) **CLAIM**

The ornamental design for a portable fire pit, as shown and described.

DESCRIPTION

FIG. 1 is a perspective view of a portable fire pit showing our new design;
FIG. 2 is a front elevational view thereof;
FIG. 3 is a side elevational view thereof;
FIG. 4 is a top plan view thereof;
FIG. 5 is a bottom plan view thereof; and,
FIG. 6 is a rear elevational view thereof.
The details shown in broken lines are for illustrative purposes only and form no part of the claimed design.

1 Claim, 2 Drawing Sheets

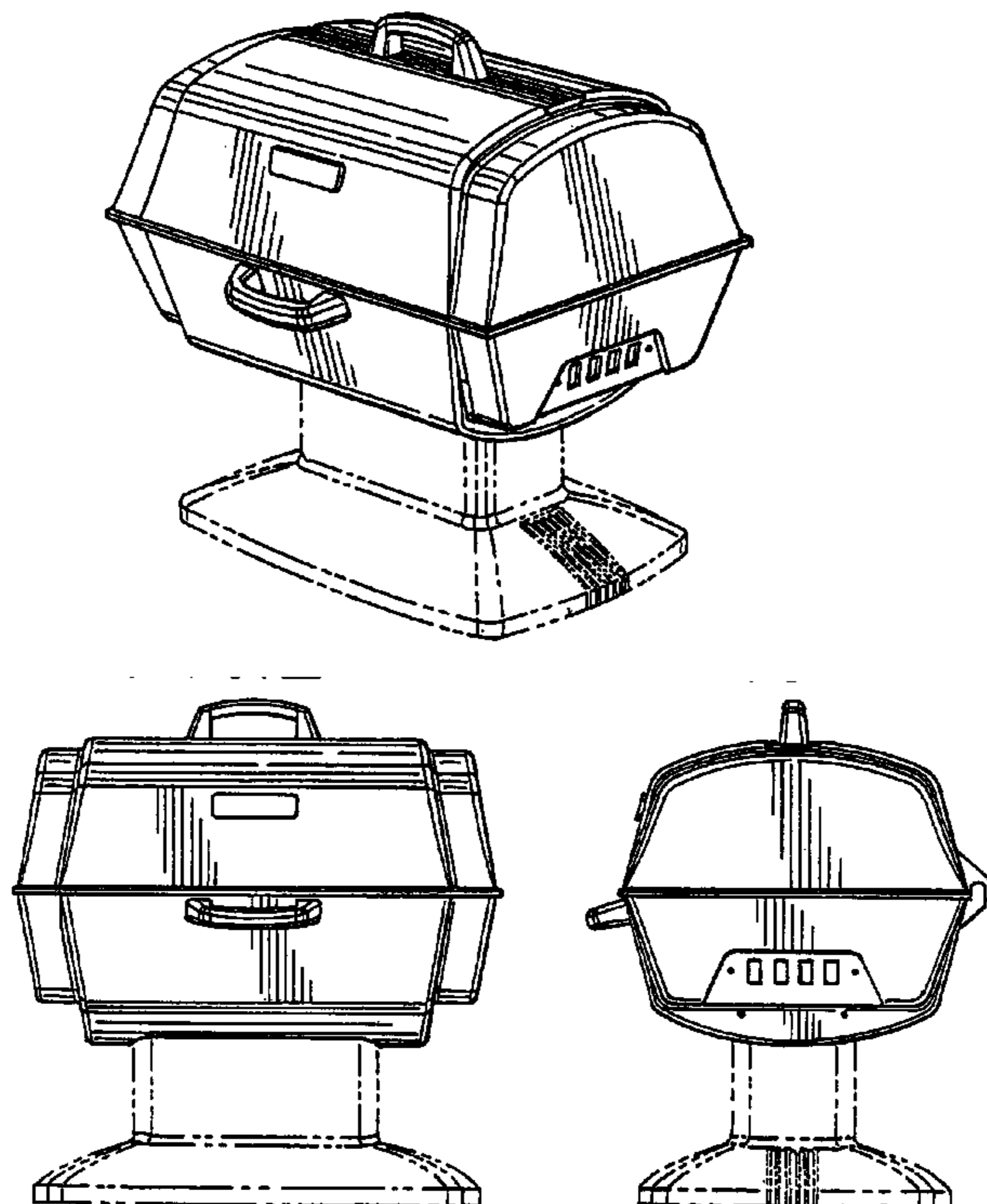


FIG.1

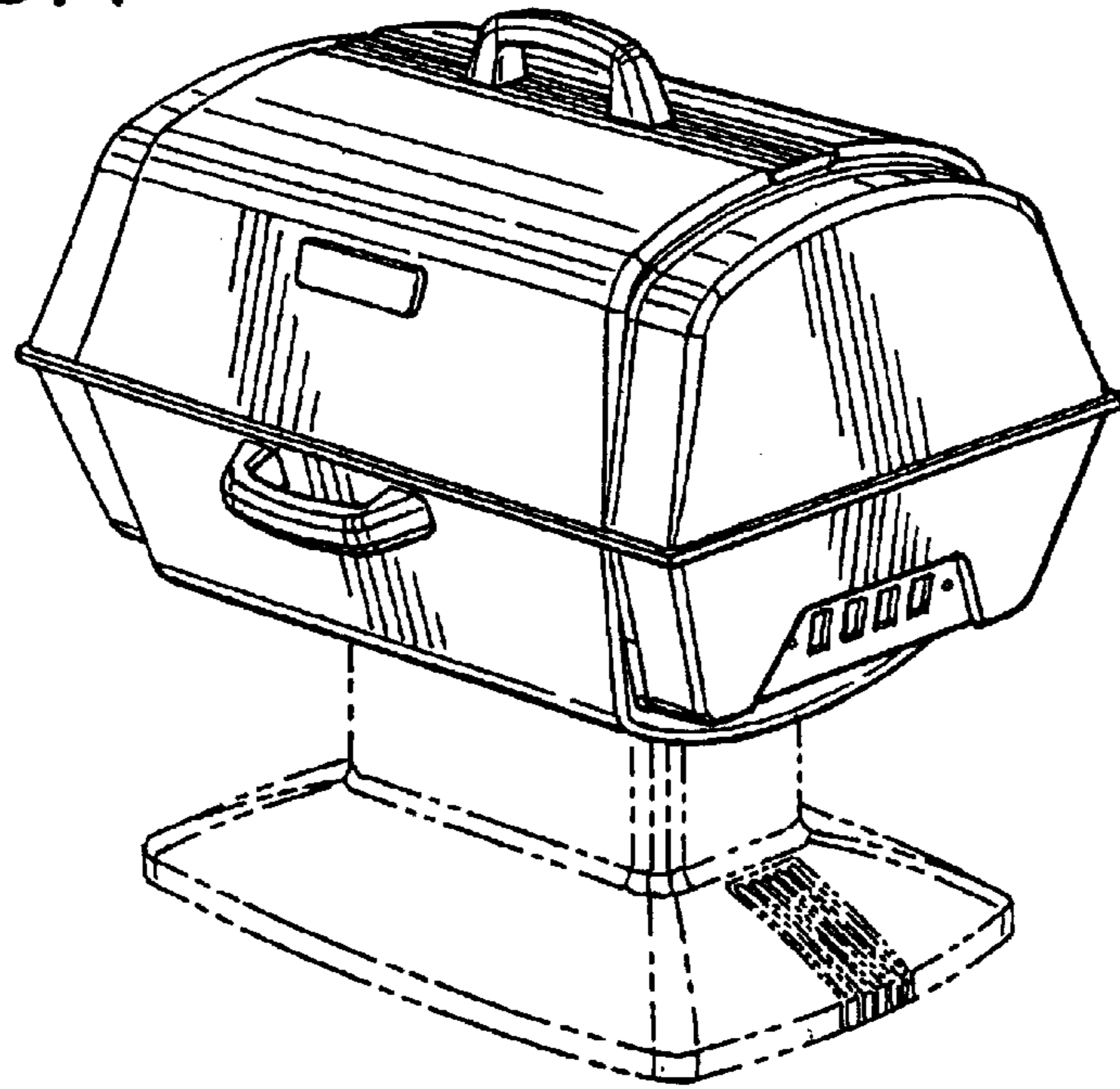


FIG.2

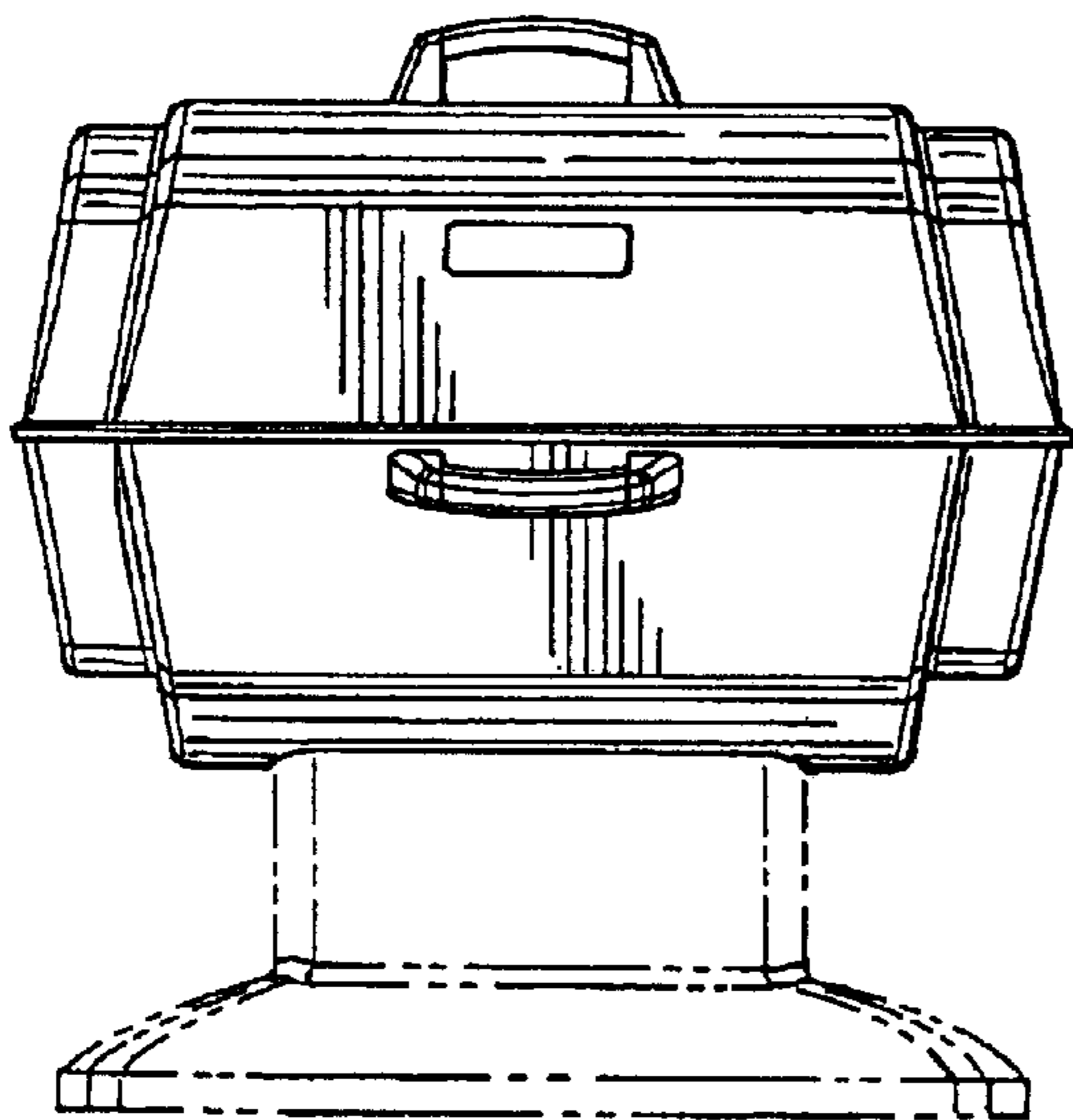


FIG.3

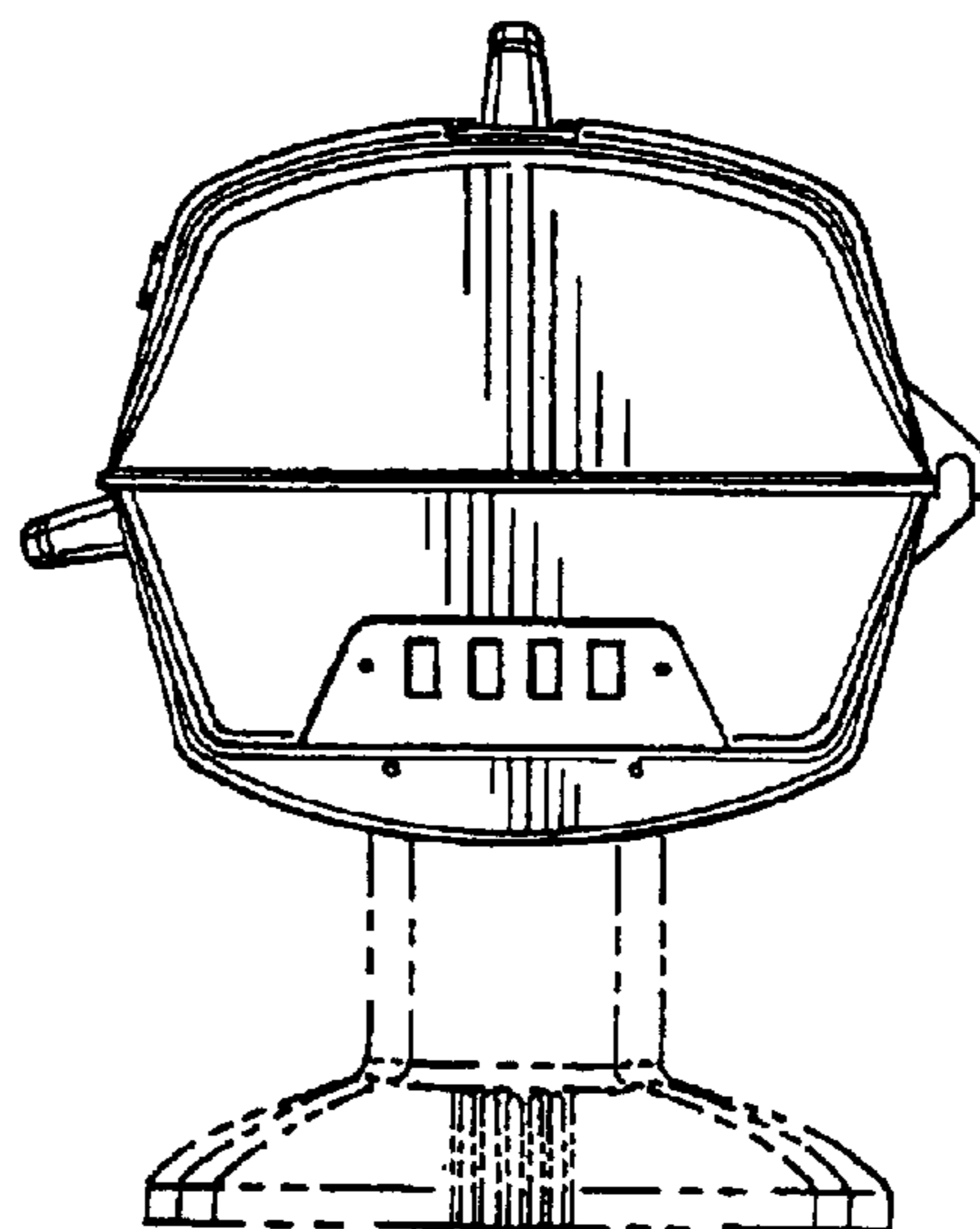


FIG. 4

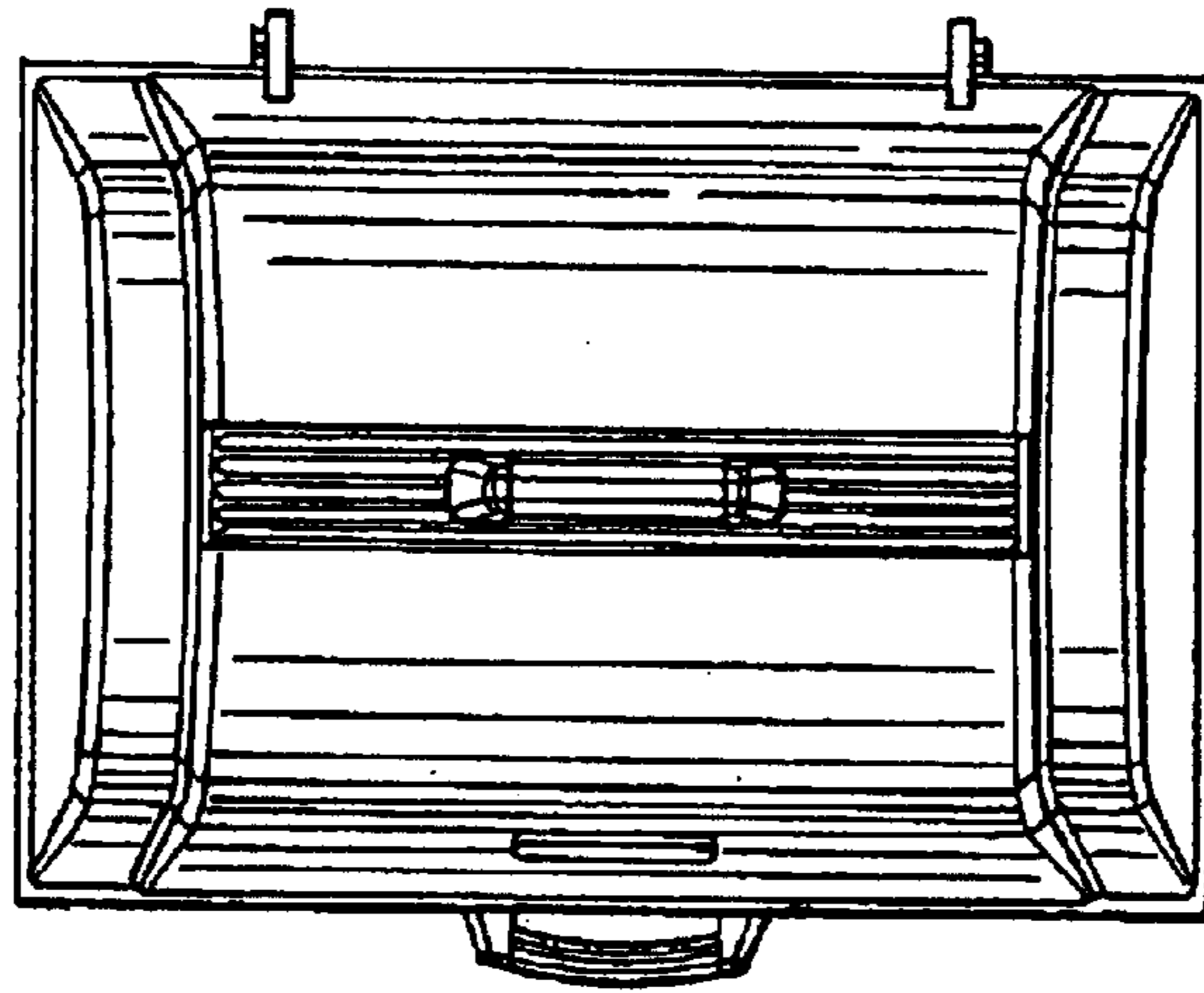


FIG. 5

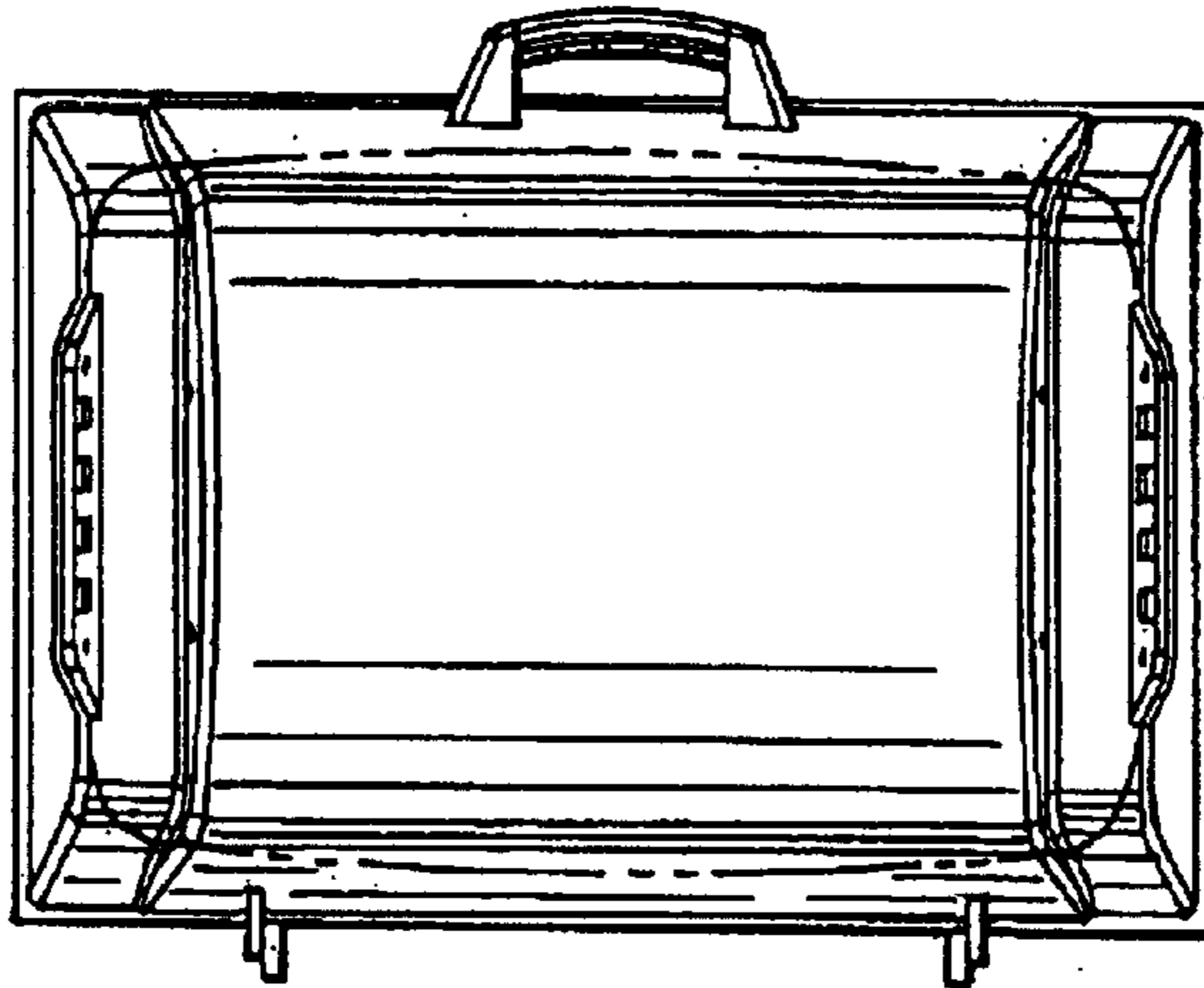


FIG. 6

