



US00D511931S

(12) **United States Design Patent**  
**Sano**

(10) **Patent No.:** **US D511,931 S**

(45) **Date of Patent:** **\*\* Nov. 29, 2005**

(54) **HANDLE FOR COOKING CONTAINERS**

(75) **Inventor:** **Takahide Sano, Milan (IT)**

(73) **Assignee:** **TVS S.p.A., Trasanni-Urbino (IT)**

(\*\*) **Term:** **14 Years**

(21) **Appl. No.:** **29/204,808**

(22) **Filed:** **May 4, 2004**

(30) **Foreign Application Priority Data**

Jan. 27, 2004 (IT) ..... MI2004O0020

(51) **LOC (8) Cl.** ..... **07-02**

(52) **U.S. Cl.** ..... **D7/393**

(58) **Field of Search** ..... D7/393, 391, 392.1,  
D7/354-361, 395; D8/107; 16/110 R, 114 R,  
114 A, 110 A

(56) **References Cited**

**U.S. PATENT DOCUMENTS**

- D284,541 S \* 7/1986 Bartasevich ..... D7/393
- D361,470 S \* 8/1995 Arbunies ..... D7/393
- D391,443 S \* 3/1998 Candianides ..... D7/393

- D395,196 S \* 6/1998 Bell et al. .... D7/393
- D397,907 S \* 9/1998 Dodane ..... D7/393
- D398,811 S \* 9/1998 Montgelard ..... D7/391
- D400,760 S \* 11/1998 Candianides ..... D7/393
- D456,669 S \* 5/2002 Munari ..... D7/392.1

\* cited by examiner

*Primary Examiner*—Ruth McInroy

*Assistant Examiner*—Terrence Huang

(74) *Attorney, Agent, or Firm*—Bucknam and Archer

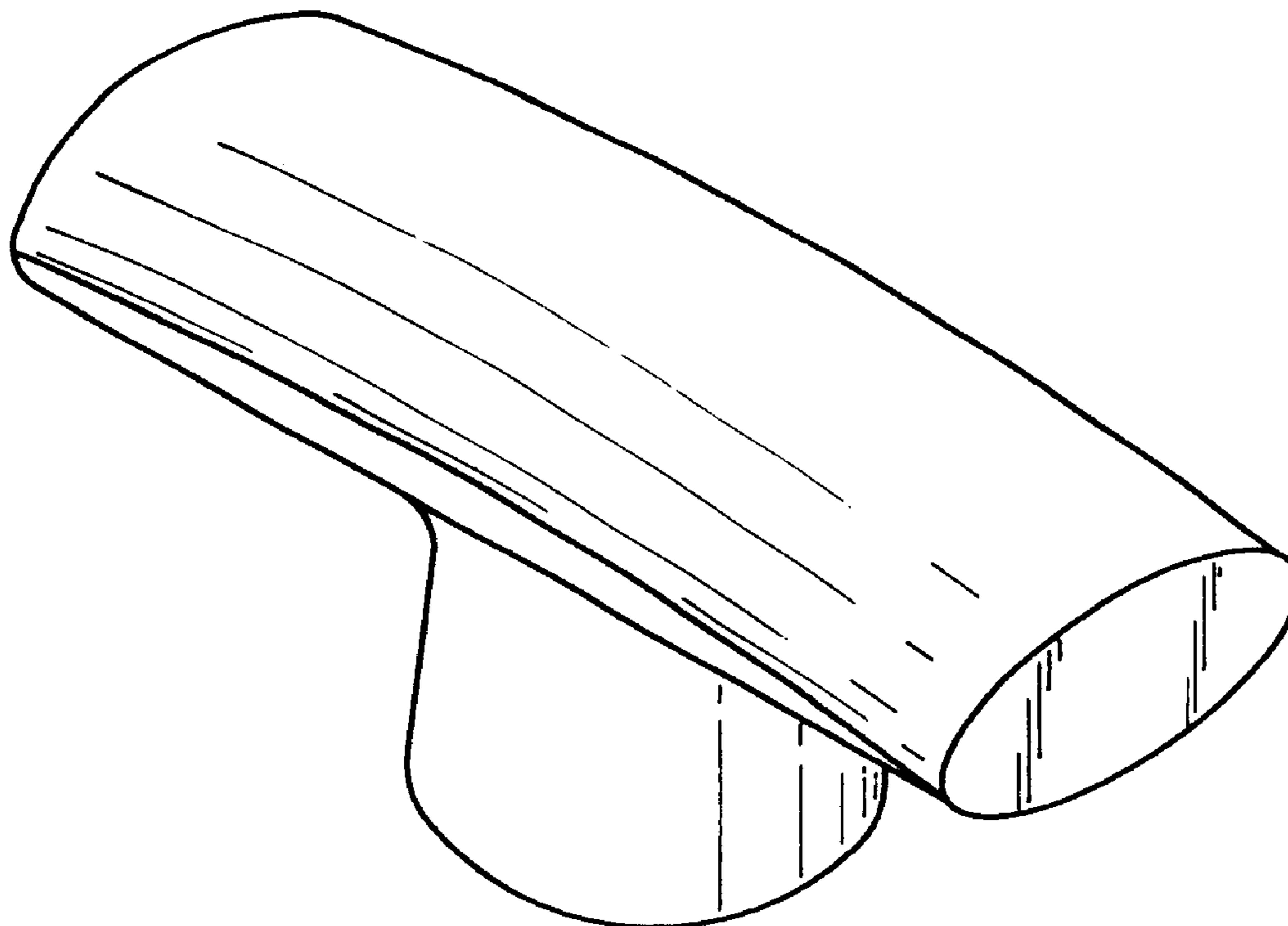
(57) **CLAIM**

The ornamental design for a handle for cooking containers, as shown and described.

**DESCRIPTION**

FIG. 1 is a perspective view for a handle for cooking containers showing my new design; FIG. 2 shows a top view thereof; FIG. 3 shows a right side view thereof; FIG. 4 shows a bottom view thereof; FIG. 5 shows a left side view thereof; and, FIG. 6 shows a plan view thereof.

**1 Claim, 2 Drawing Sheets**



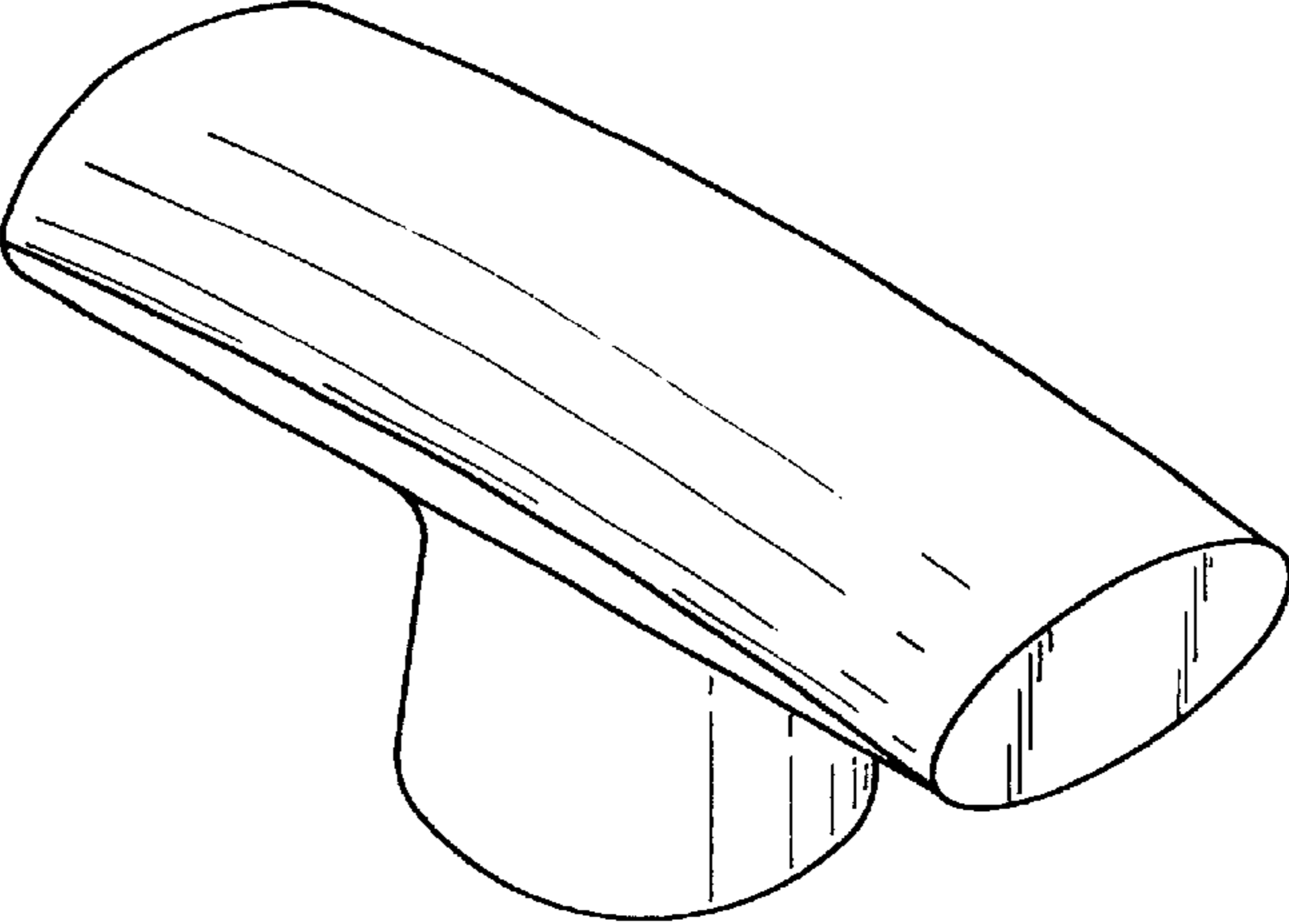


Fig.1

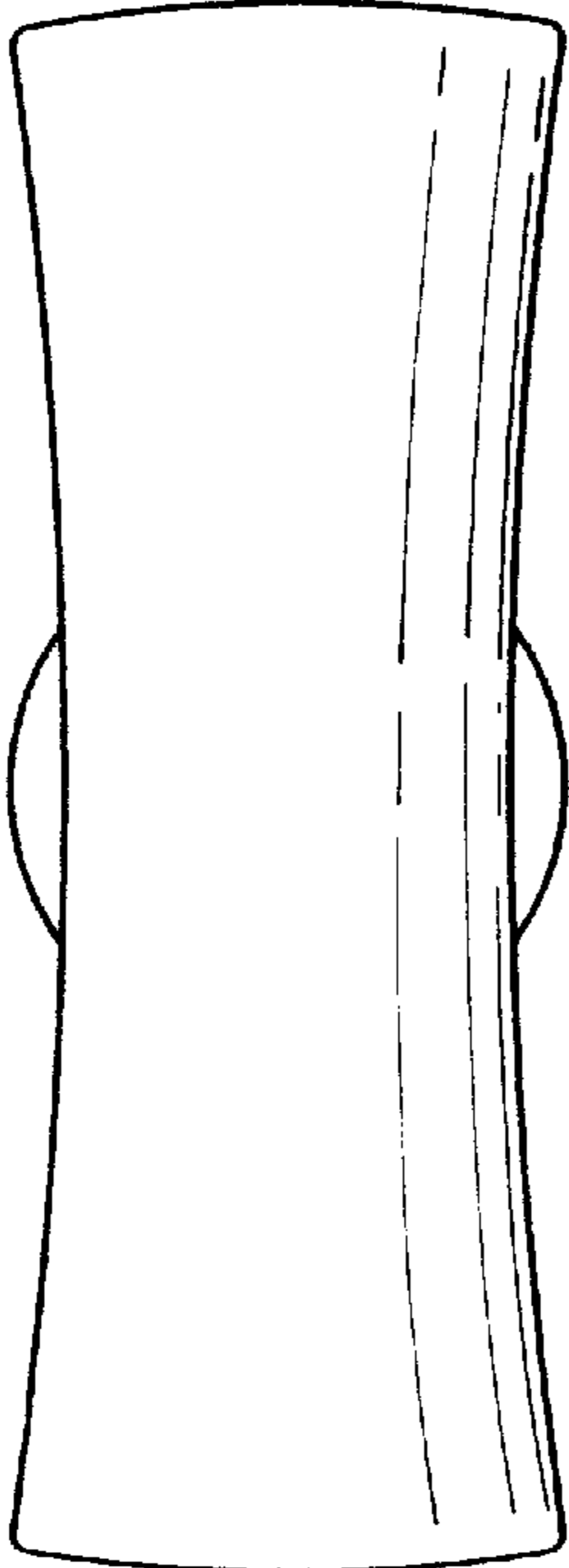


Fig.2

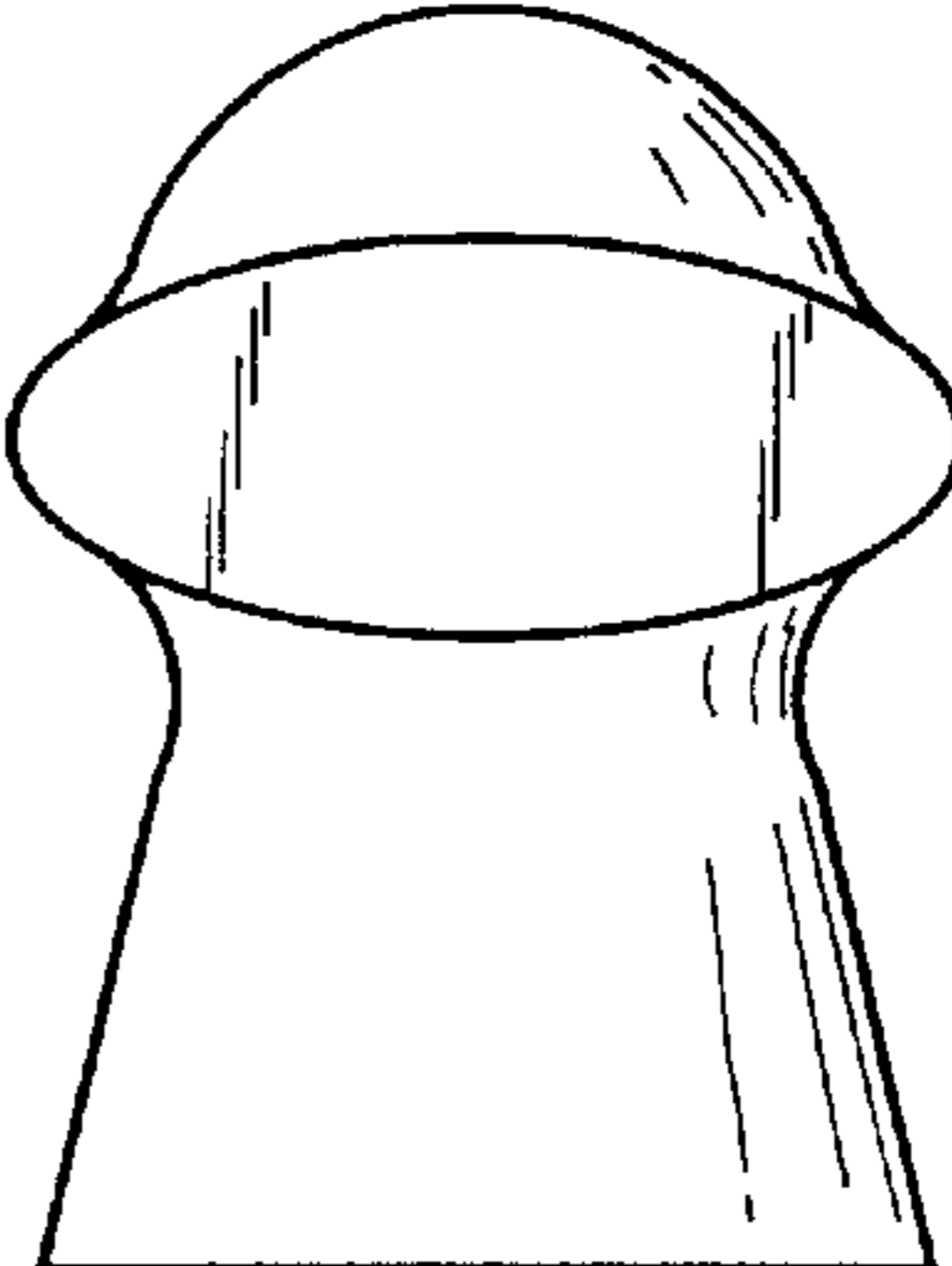


Fig.3

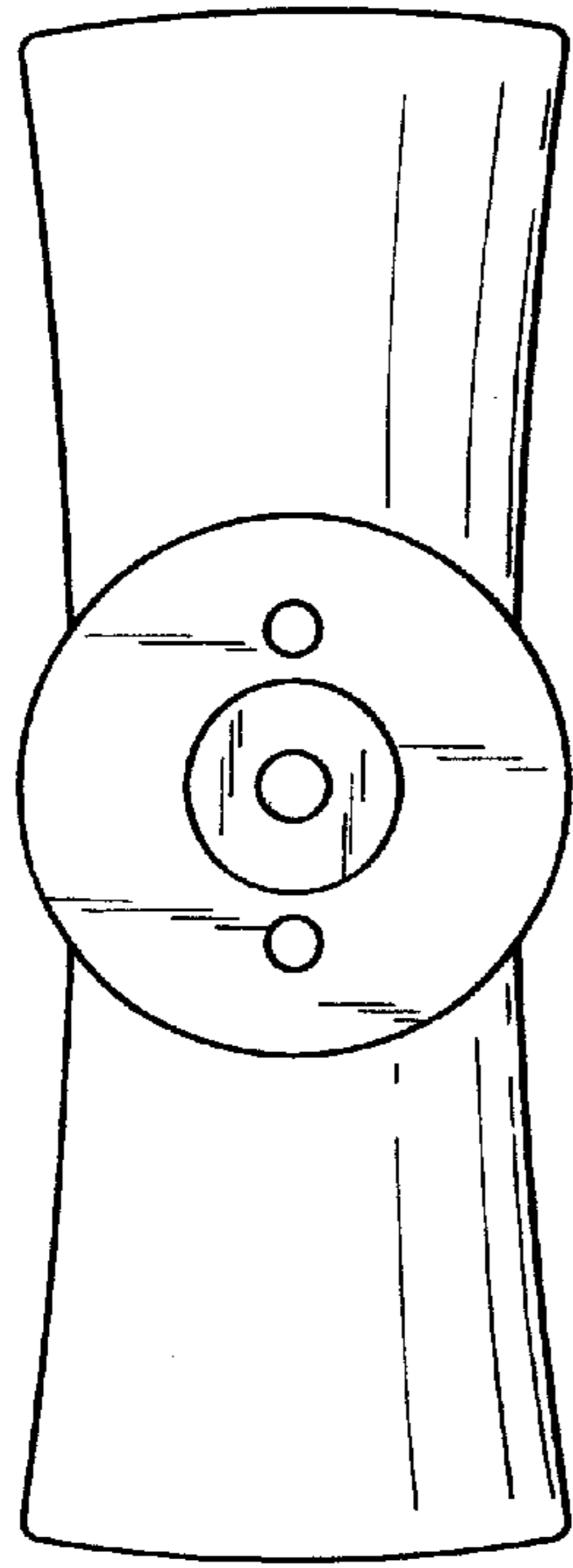


Fig.4

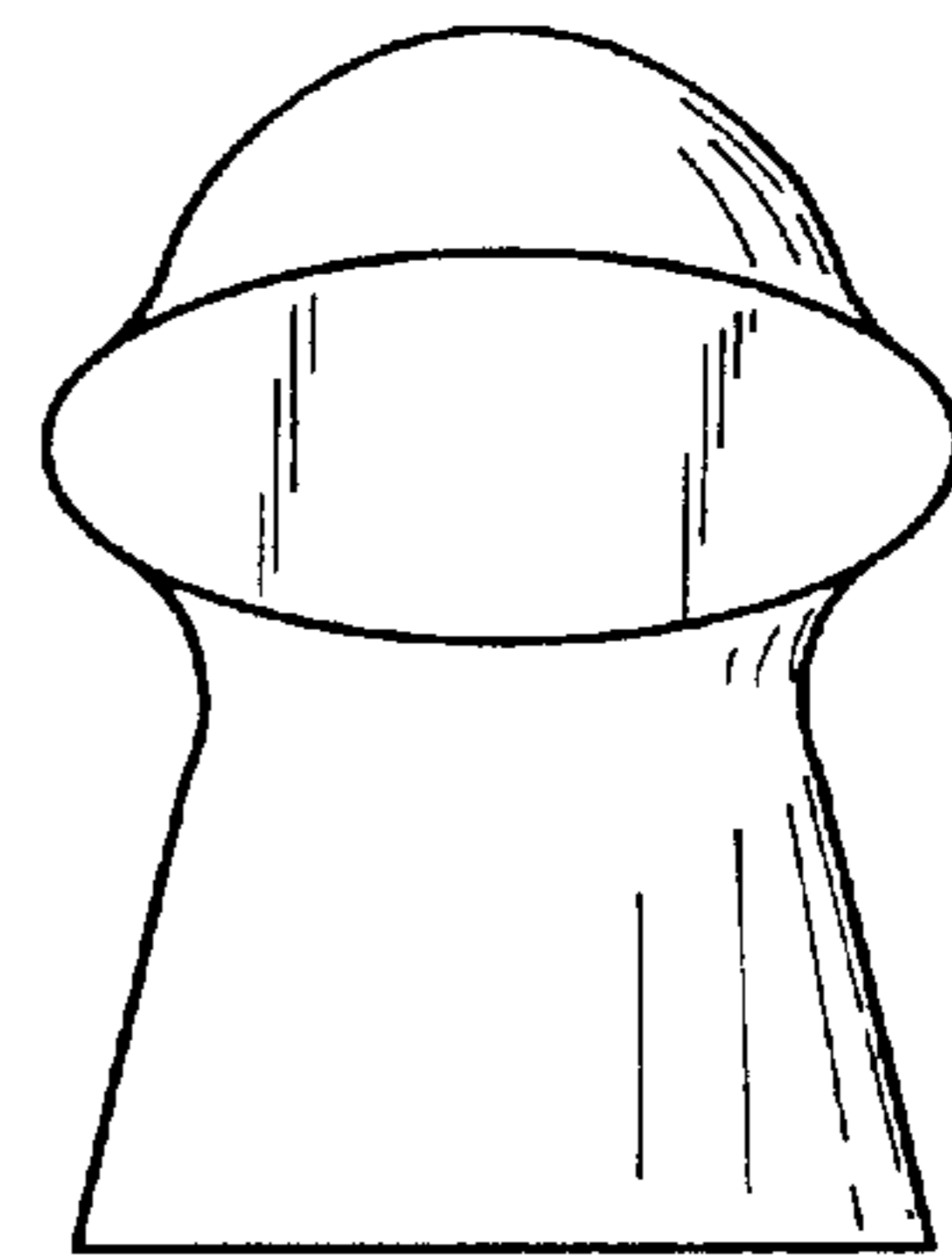


Fig.5

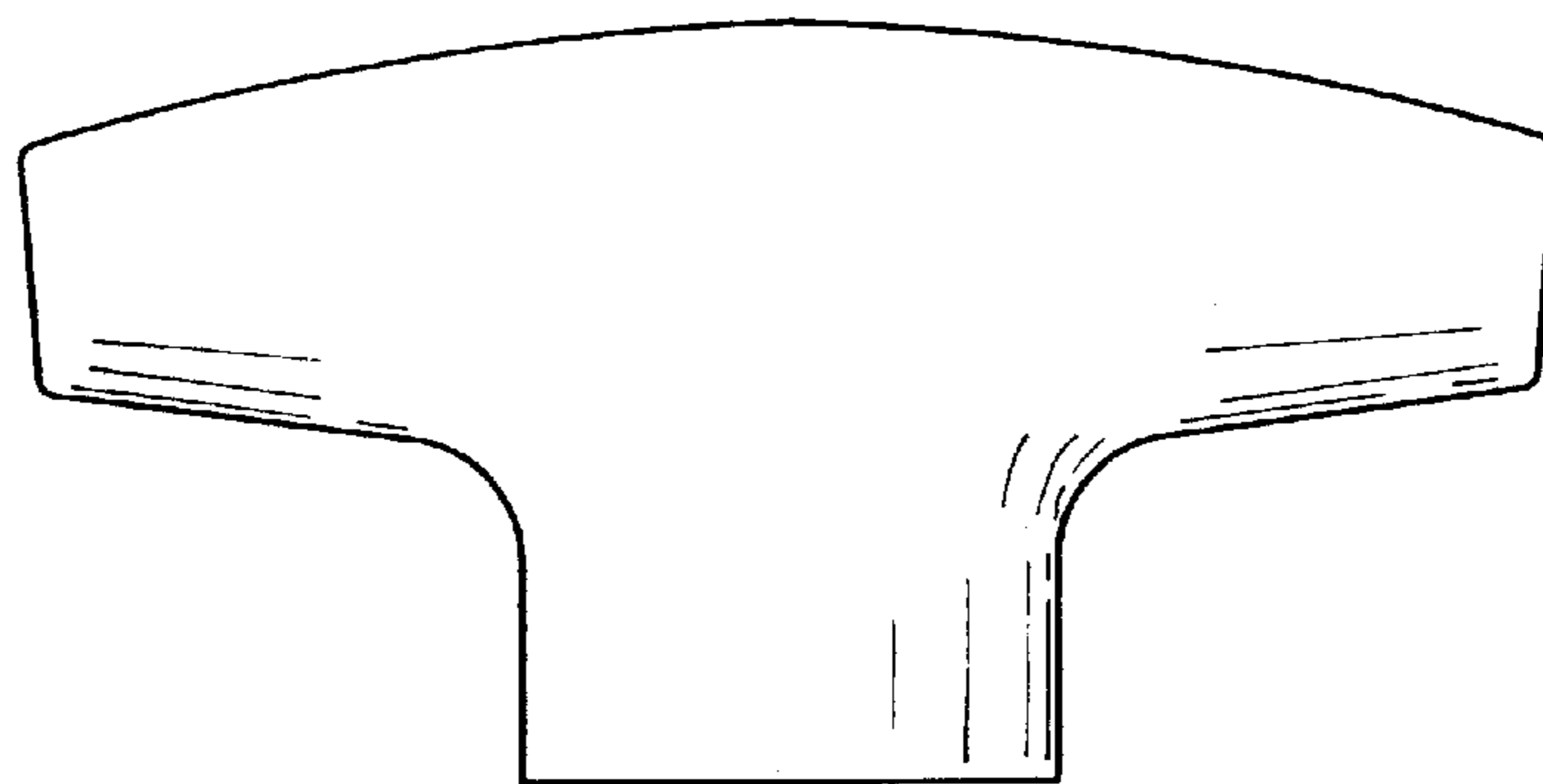


Fig.6