



US00D511924S

(12) **United States Design Patent**  
**Chung**

(10) **Patent No.:** **US D511,924 S**

(45) **Date of Patent:** **\*\* Nov. 29, 2005**

(54) **BARBECUE GRILL**

(76) **Inventor:** **Kiosky Chung**, 8F-1, No. 497,  
Jhongming S. Rd., West District,  
Taichung (TW), 403

(\*\*) **Term:** **14 Years**

(21) **Appl. No.:** **29/223,690**

(22) **Filed:** **Feb. 17, 2005**

(51) **LOC (8) Cl.** ..... **07-02**

(52) **U.S. Cl.** ..... **D7/334**

(58) **Field of Search** ..... D7/332, 334-337,  
D7/402-405; 126/25 R, 25 A, 25 AA, 40,  
41 R, 38-39 R, 50, 304 R, 305, 9 R, 19 M,  
245; 108/115; 99/450; 219/451.1, 452.11,  
455.11, 385, 520, 450.1; 248/129, 188.6,  
250, 439

(56) **References Cited**

**U.S. PATENT DOCUMENTS**

- D478,464 S \* 8/2003 Pai ..... D7/334
- D480,595 S \* 10/2003 Pai ..... D7/334
- D480,907 S \* 10/2003 Pai ..... D7/334

- D485,116 S \* 1/2004 Kwok ..... D7/334
- D494,406 S \* 8/2004 Zhang ..... D7/334
- D496,821 S \* 10/2004 Pai ..... D7/334
- 2002/0088451 A1 \* 7/2002 Eisinger et al. .... 126/25 R
- 2004/0182381 A1 \* 9/2004 Yeh ..... 126/25 R

\* cited by examiner

*Primary Examiner*—Ruth McInroy

(74) *Attorney, Agent, or Firm*—Charles E. Baxley

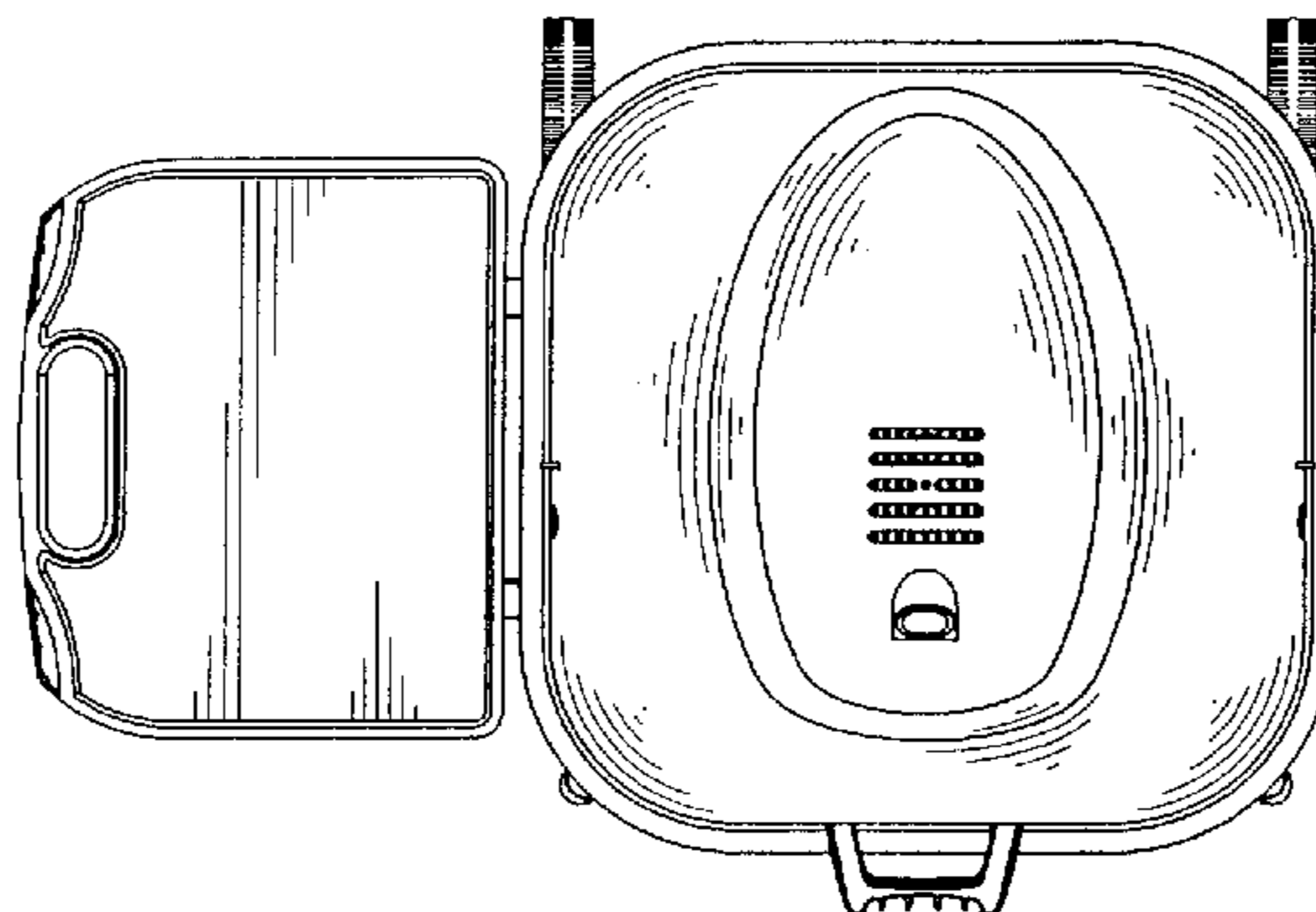
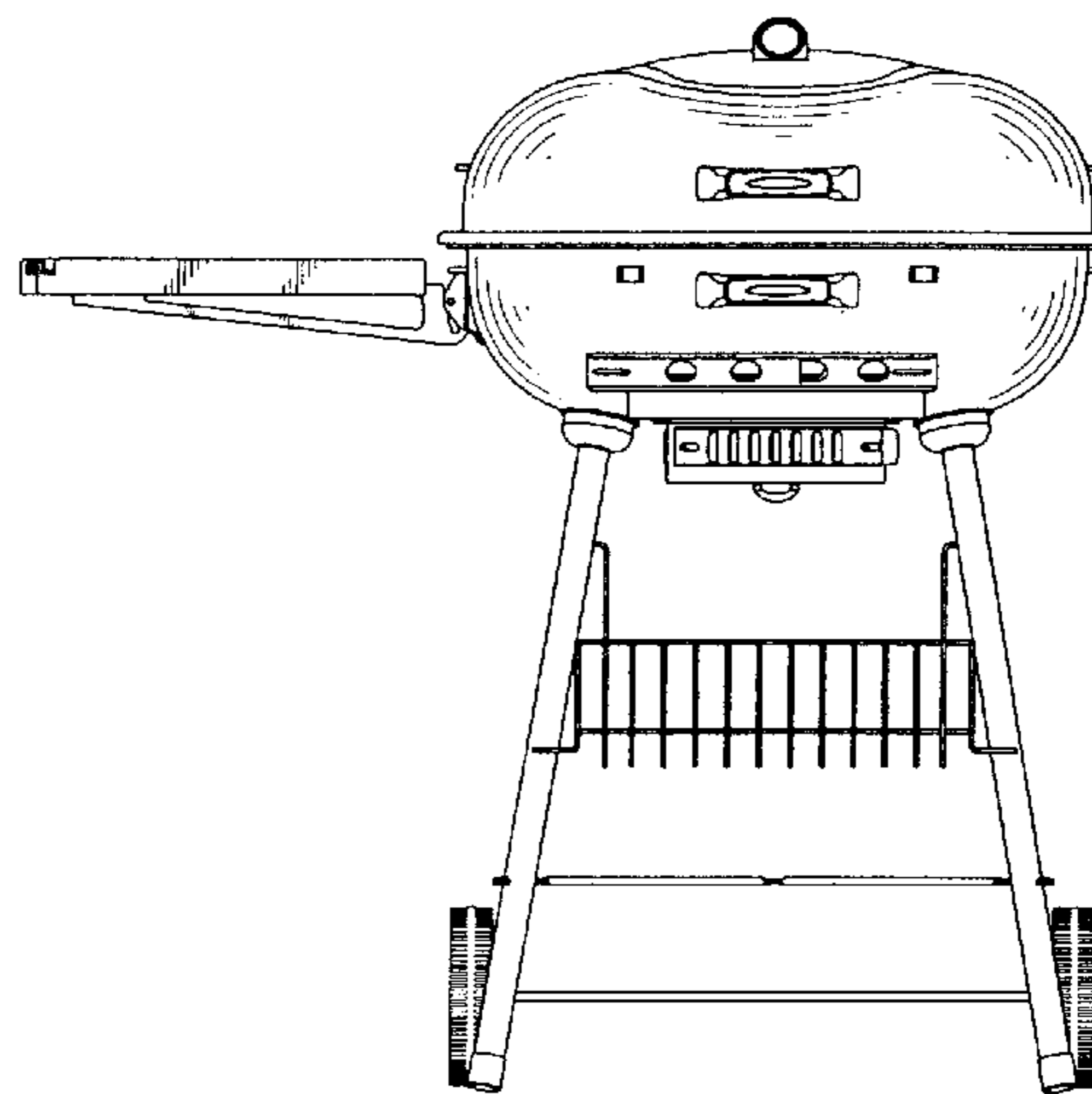
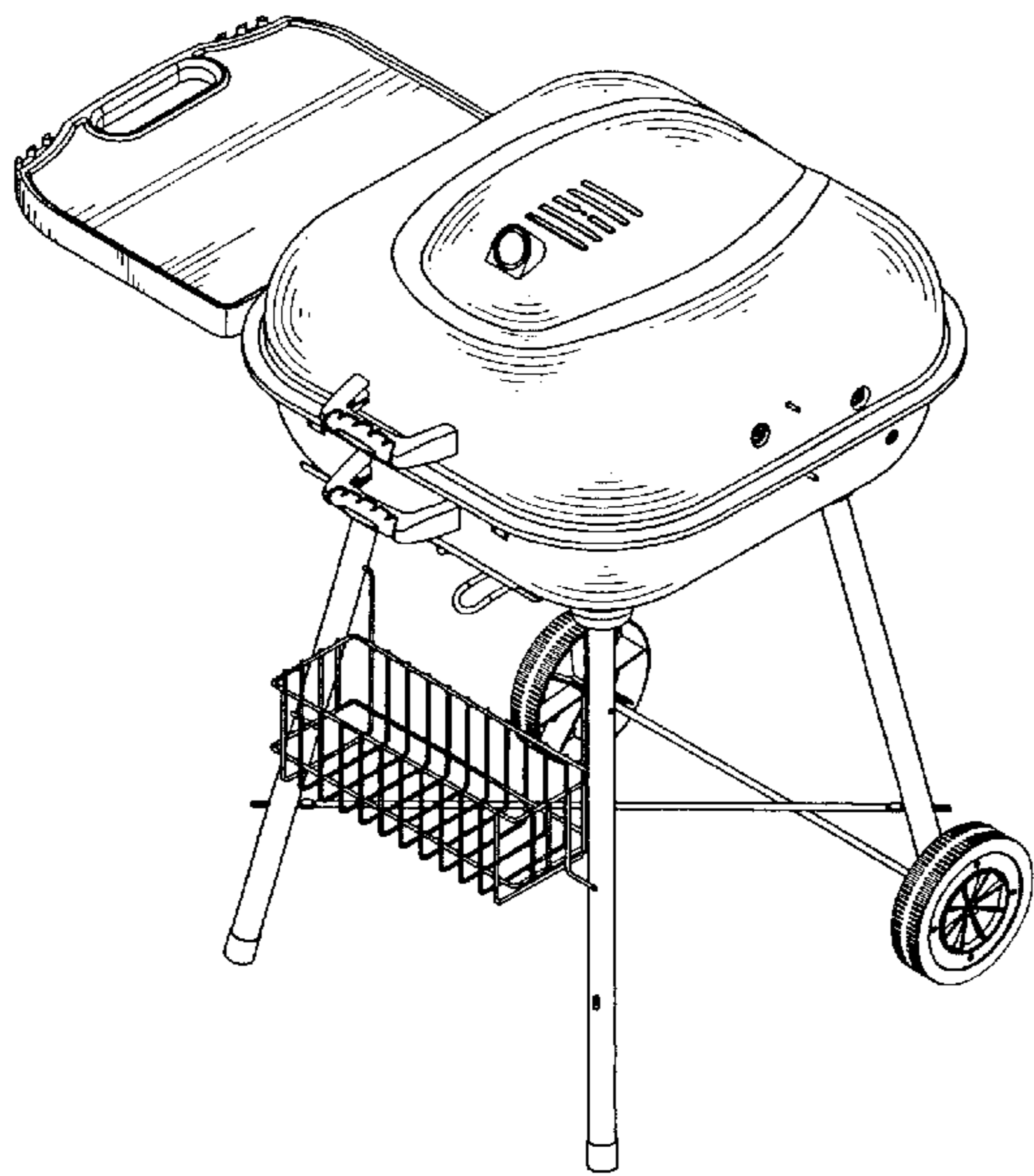
(57) **CLAIM**

I claim the ornamental design for a barbecue grill, as shown and described.

**DESCRIPTION**

FIG. 1 is a perspective view of a barbecue grill, showing my new design;  
 FIG. 2 is a front elevational view thereof;  
 FIG. 3 is a rear elevational view thereof;  
 FIG. 4 is a left side elevational view thereof;  
 FIG. 5 is a right side elevational view thereof;  
 FIG. 6 is a top plan view thereof; and,  
 FIG. 7 is a bottom plan view thereof.

**1 Claim, 7 Drawing Sheets**



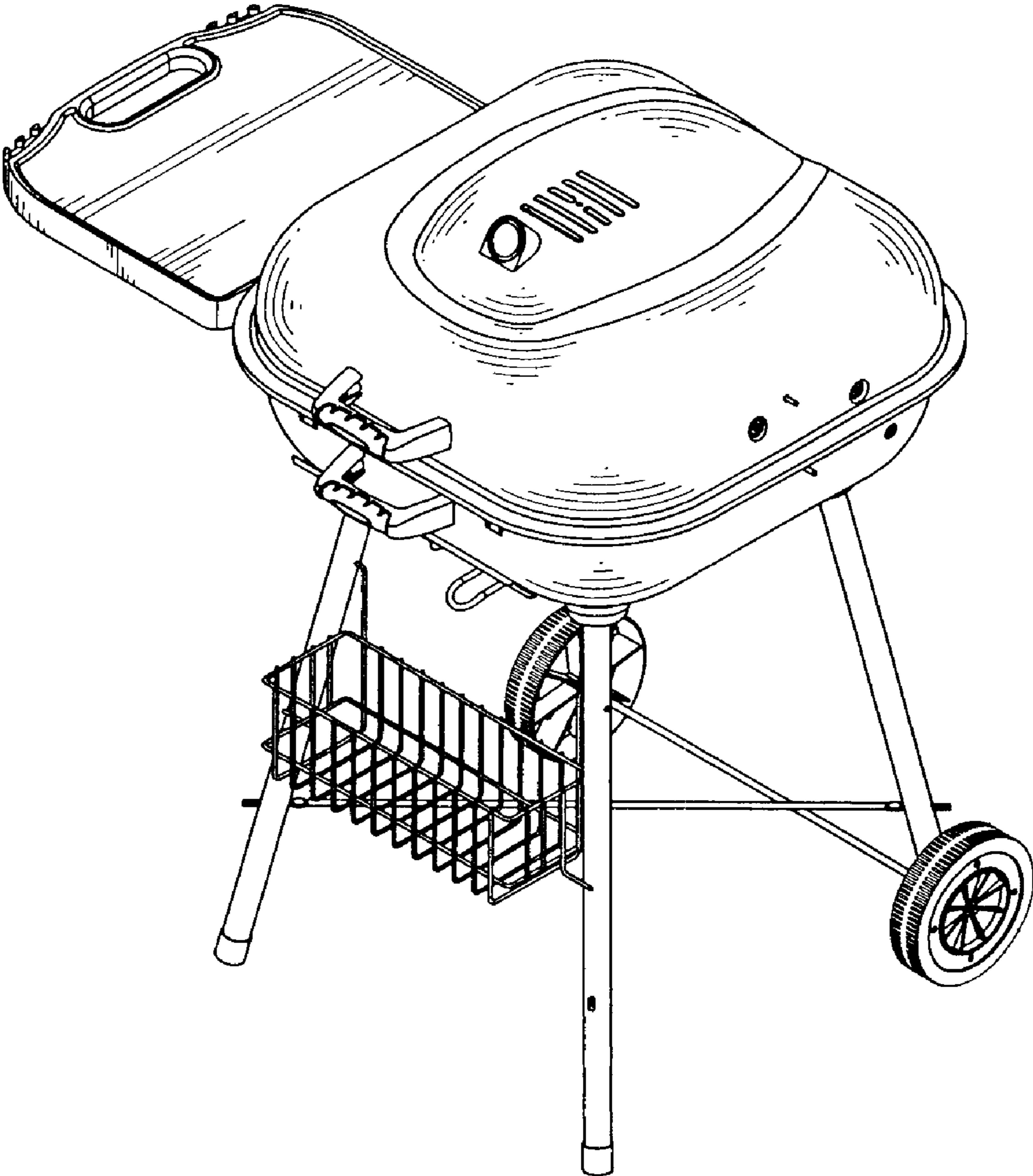


FIG. 1

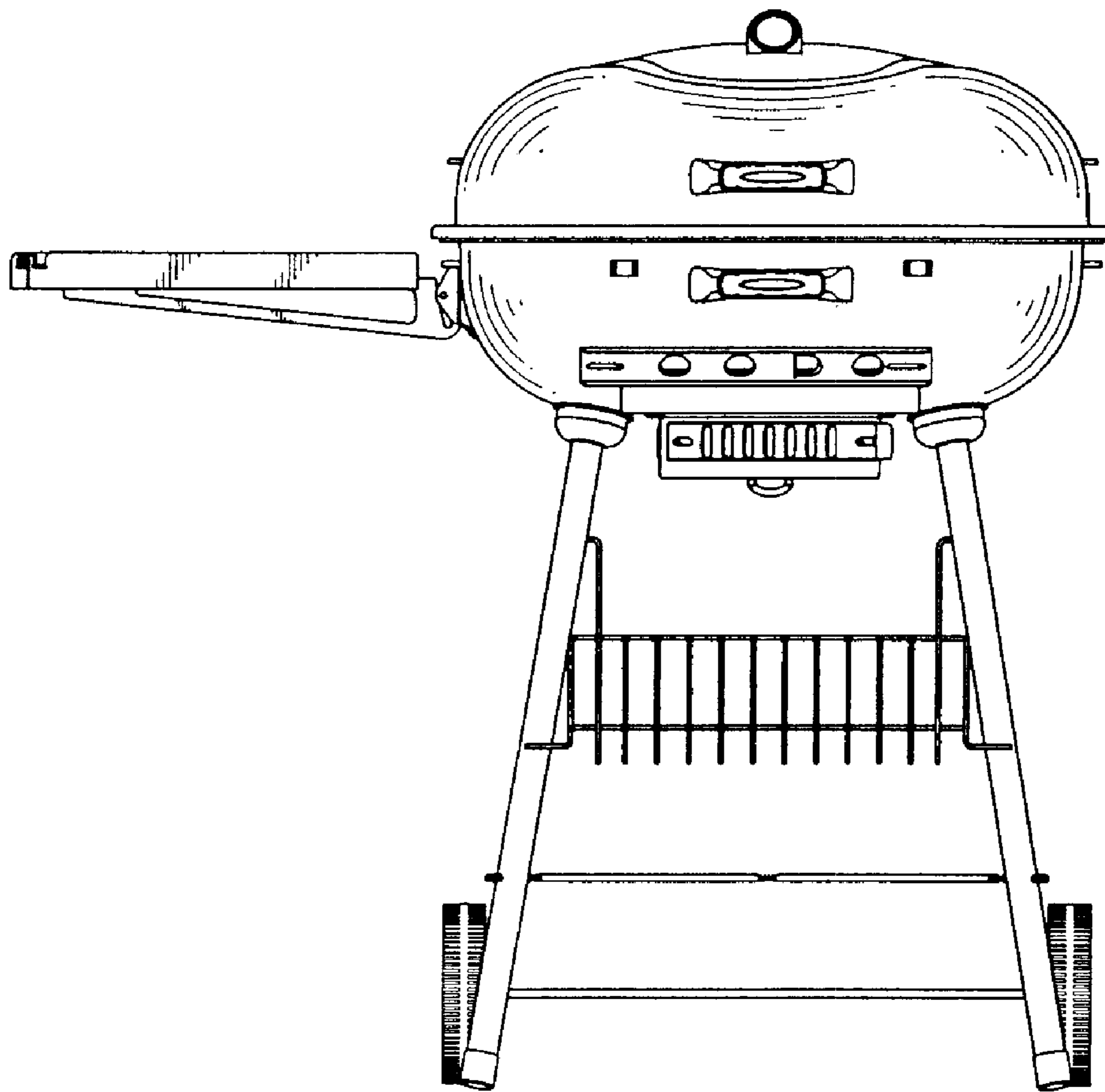


FIG. 2

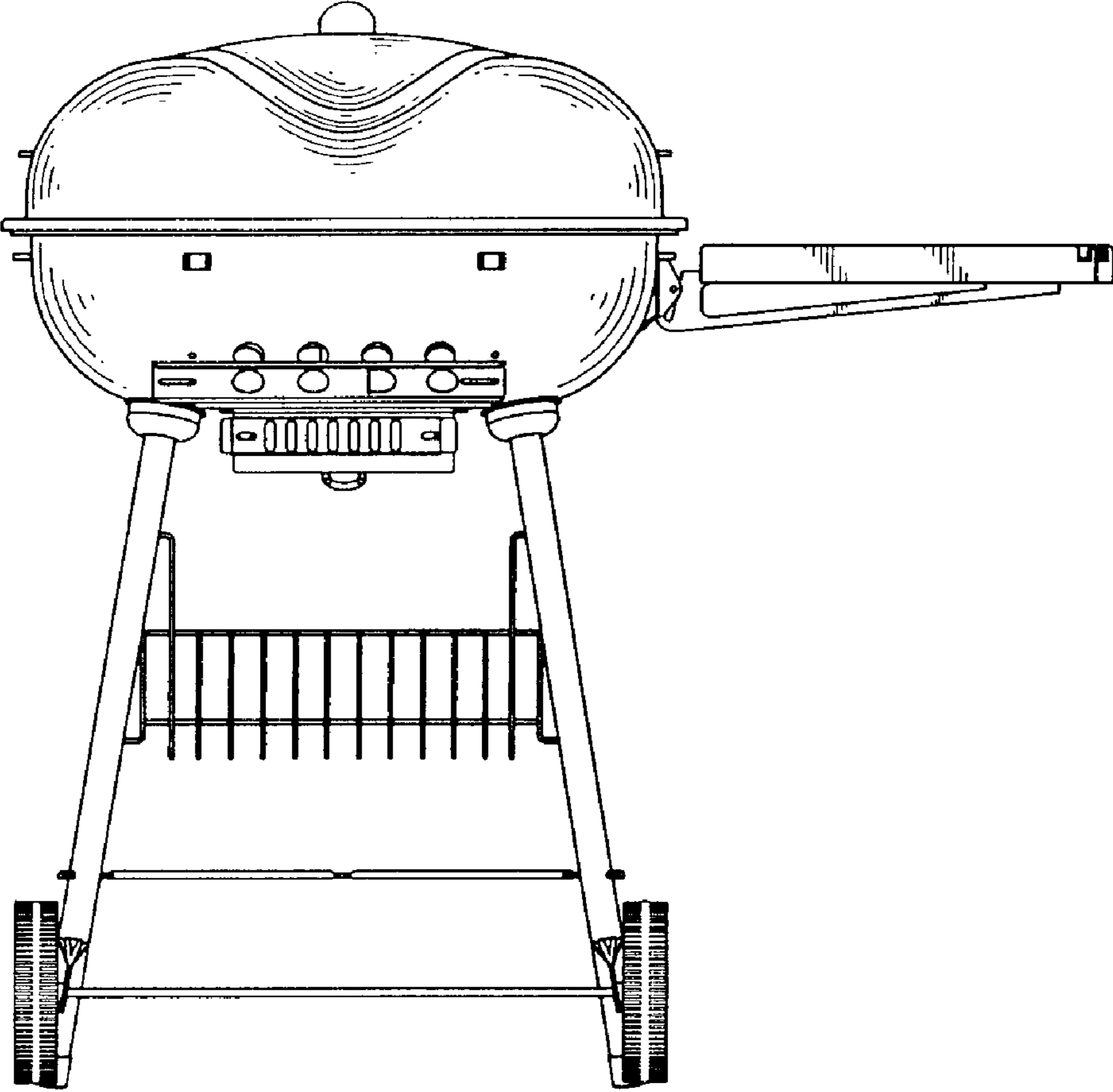


FIG. 3

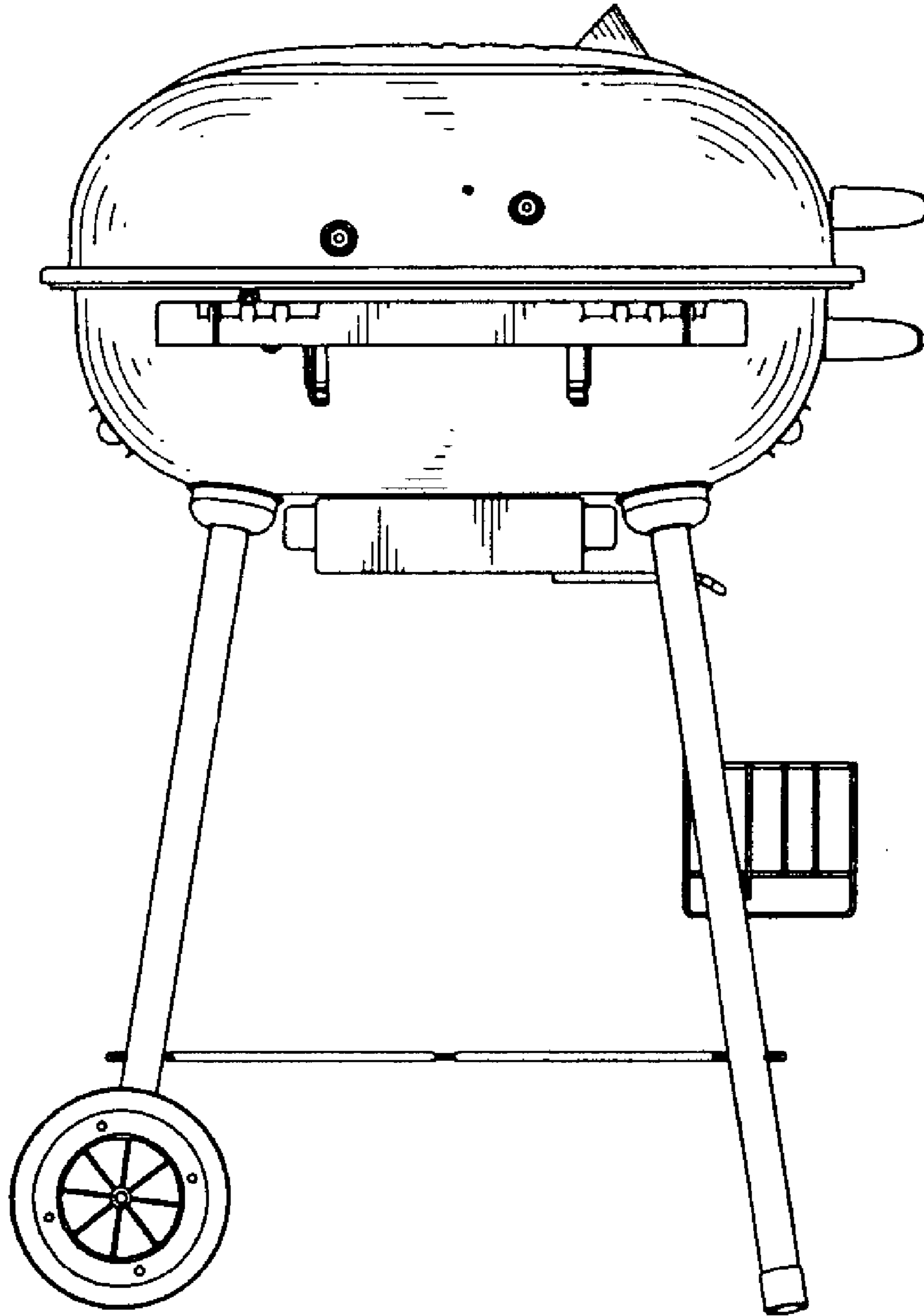


FIG. 4

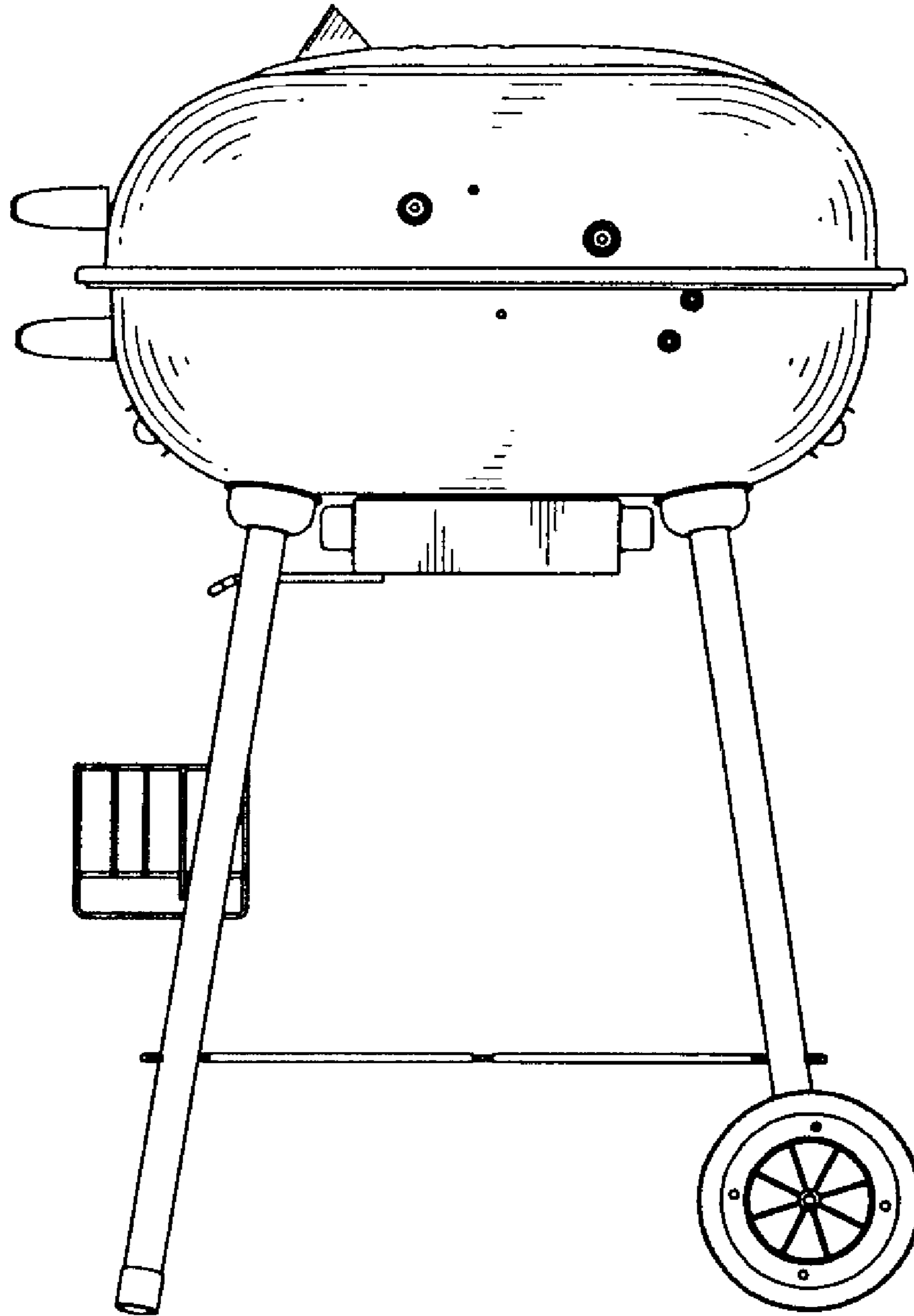


FIG. 5

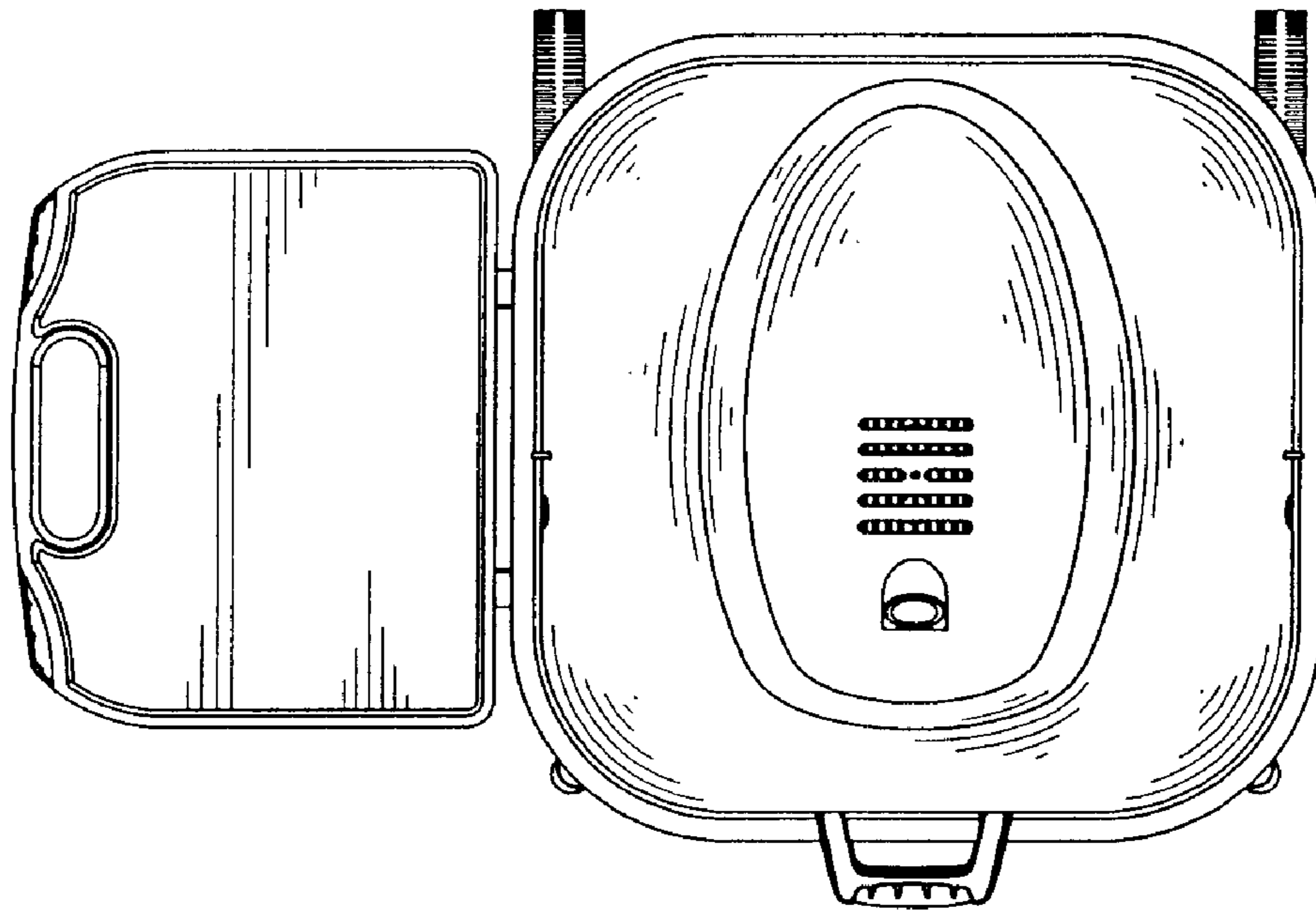


FIG. 6

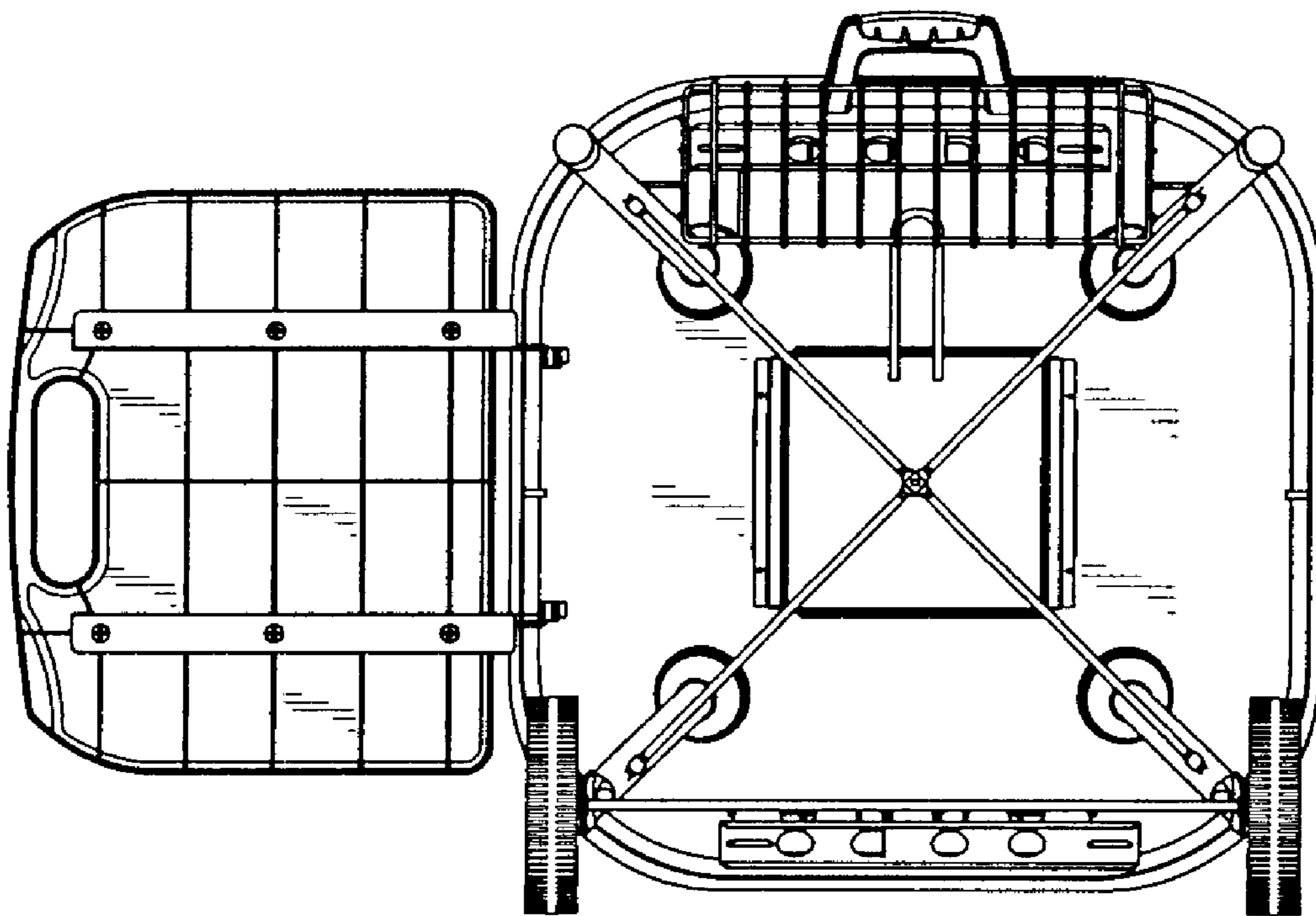


FIG. 7