



US00D511923S

(12) **United States Design Patent**
Wu

(10) **Patent No.:** **US D511,923 S**

(45) **Date of Patent:** **** Nov. 29, 2005**

(54) **TOASTER**

D473,093 S * 4/2003 To D7/330
D502,629 S * 3/2005 Guyett et al. D7/330

(75) **Inventor:** **Wai Pun Wu, Guangdong (CN)**

* cited by examiner

(73) **Assignee:** **Meyer Intellectual Properties Limited,**
Hong Kong (HK)

Primary Examiner—Caron D. Veynar

(**) **Term:** **14 Years**

(74) *Attorney, Agent, or Firm*—Ostrolenk, Faber, Gerb &
Soffen, LLP

(21) **Appl. No.:** **29/206,464**

(57) **CLAIM**

(22) **Filed:** **Jun. 1, 2004**

The ornamental design for a “toaster”, as shown and described.

(30) **Foreign Application Priority Data**

Dec. 1, 2003 (AU) 4264/2003

DESCRIPTION

(51) **LOC (8) Cl.** **07-02**

FIG. 1 is a perspective view of a “toaster” showing my new design;

(52) **U.S. Cl.** **D7/330**

FIG. 2 is a top view thereof;

(58) **Field of Search** D7/323, 328–330,

FIG. 3 is a front elevation view thereof;

D7/390; 99/331, 332, 357, 375, 385; 219/388,
405, 450.1; D21/525

FIG. 4 is a right side elevation view thereof;

FIG. 5 is a left side elevation view thereof;

FIG. 6 is a rear elevation view thereof; and,

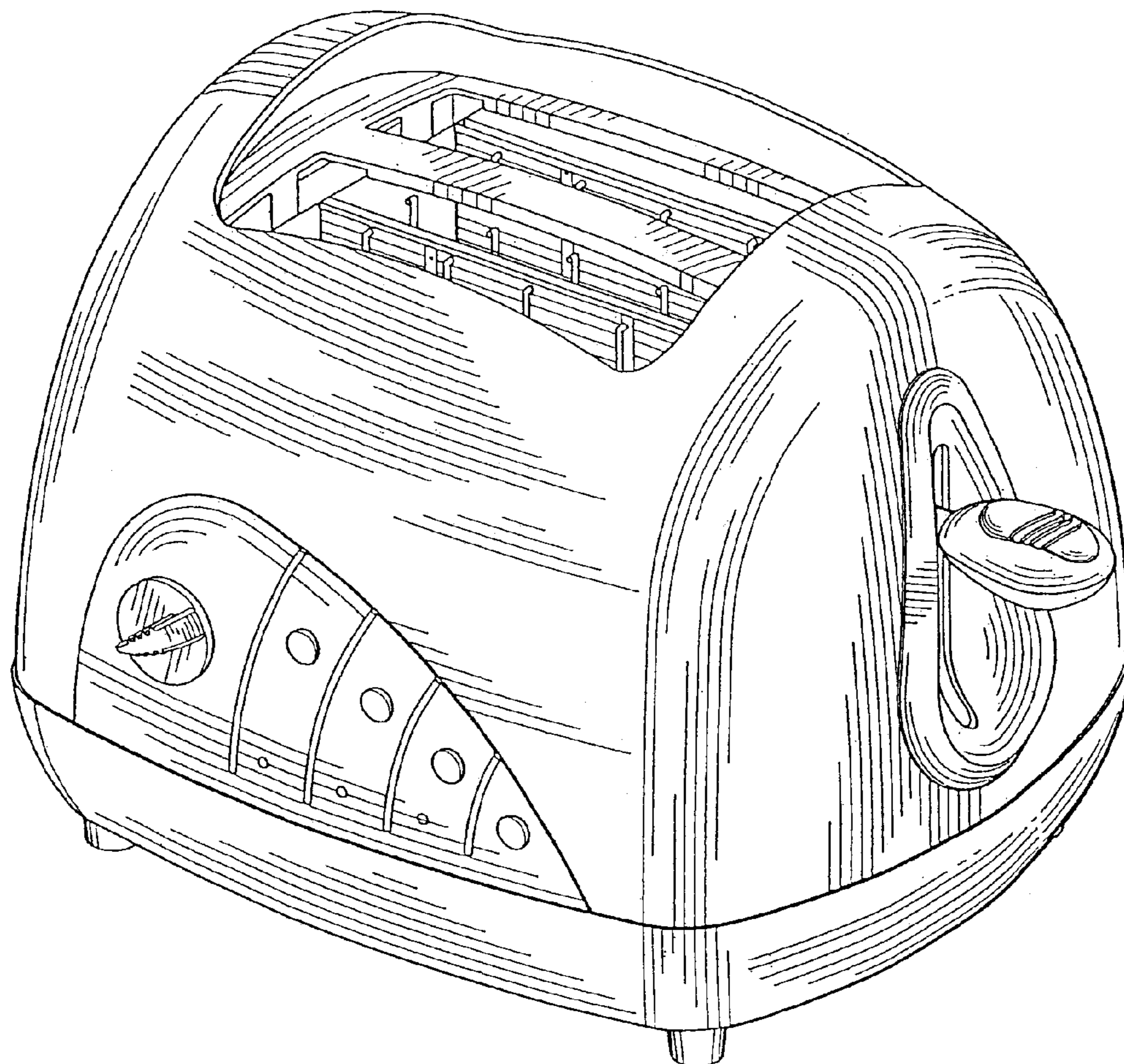
FIG. 7 is a bottom plan view thereof.

(56) **References Cited**

U.S. PATENT DOCUMENTS

6,405,645 B1 * 6/2002 Green 99/468

1 Claim, 4 Drawing Sheets



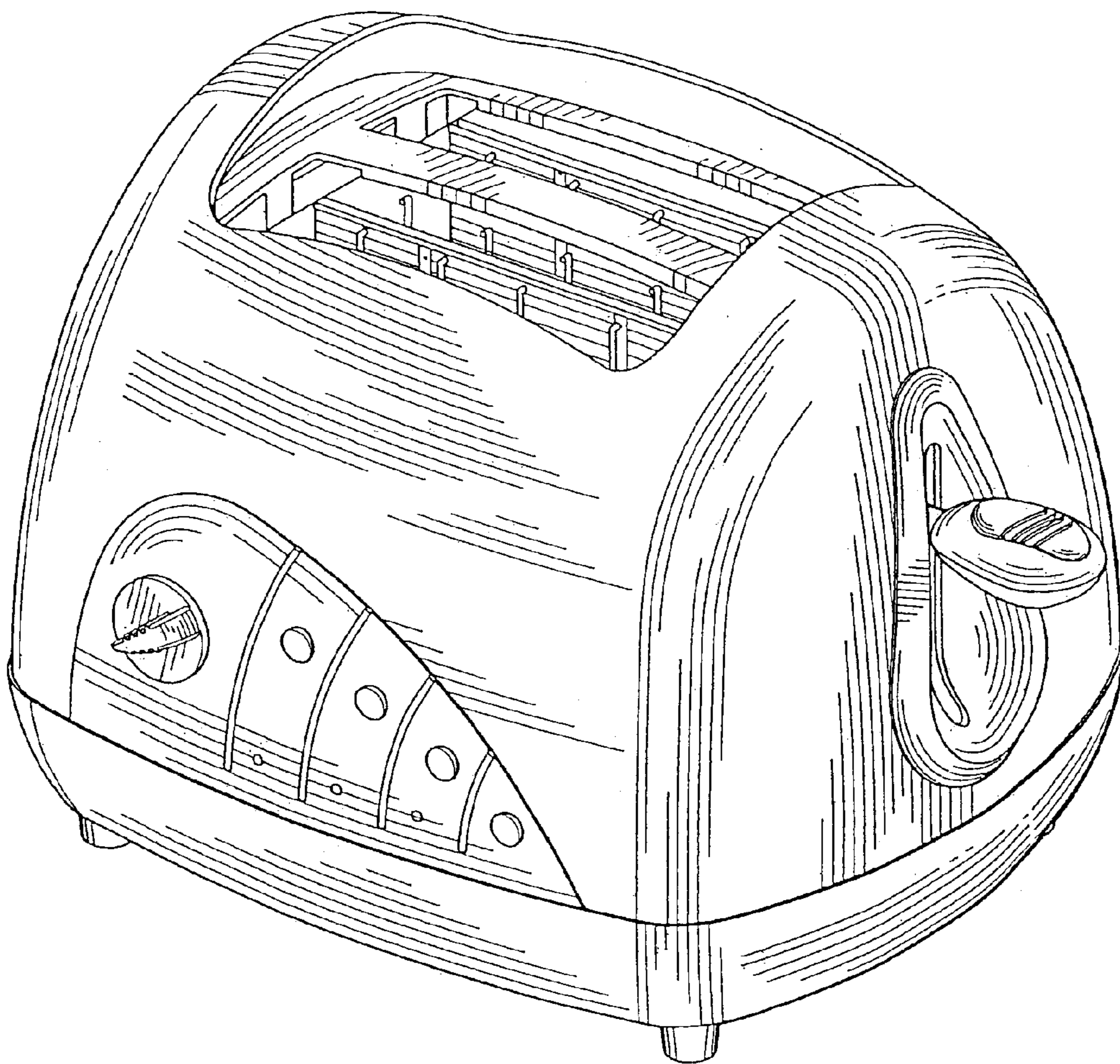


FIG. 1

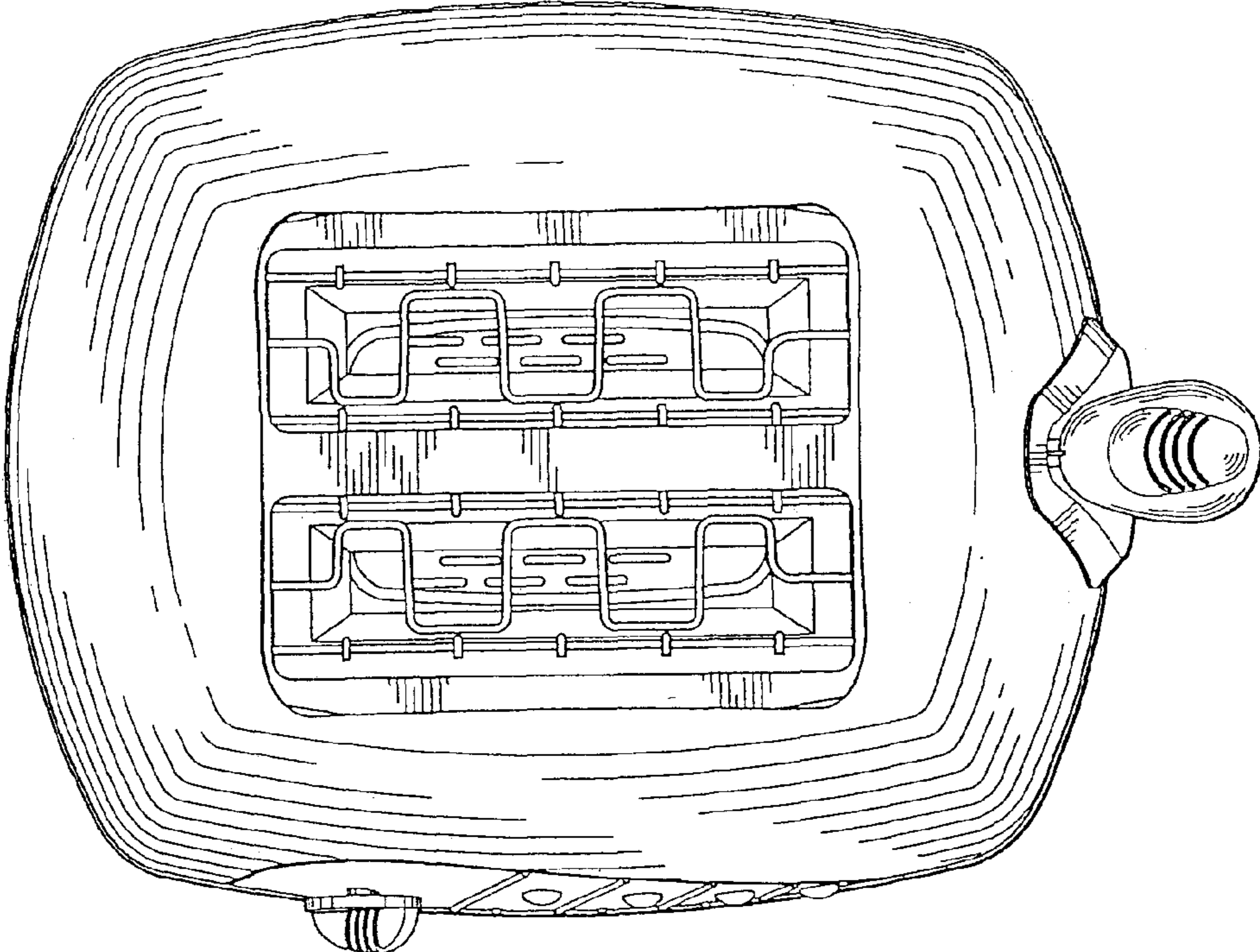


FIG. 2

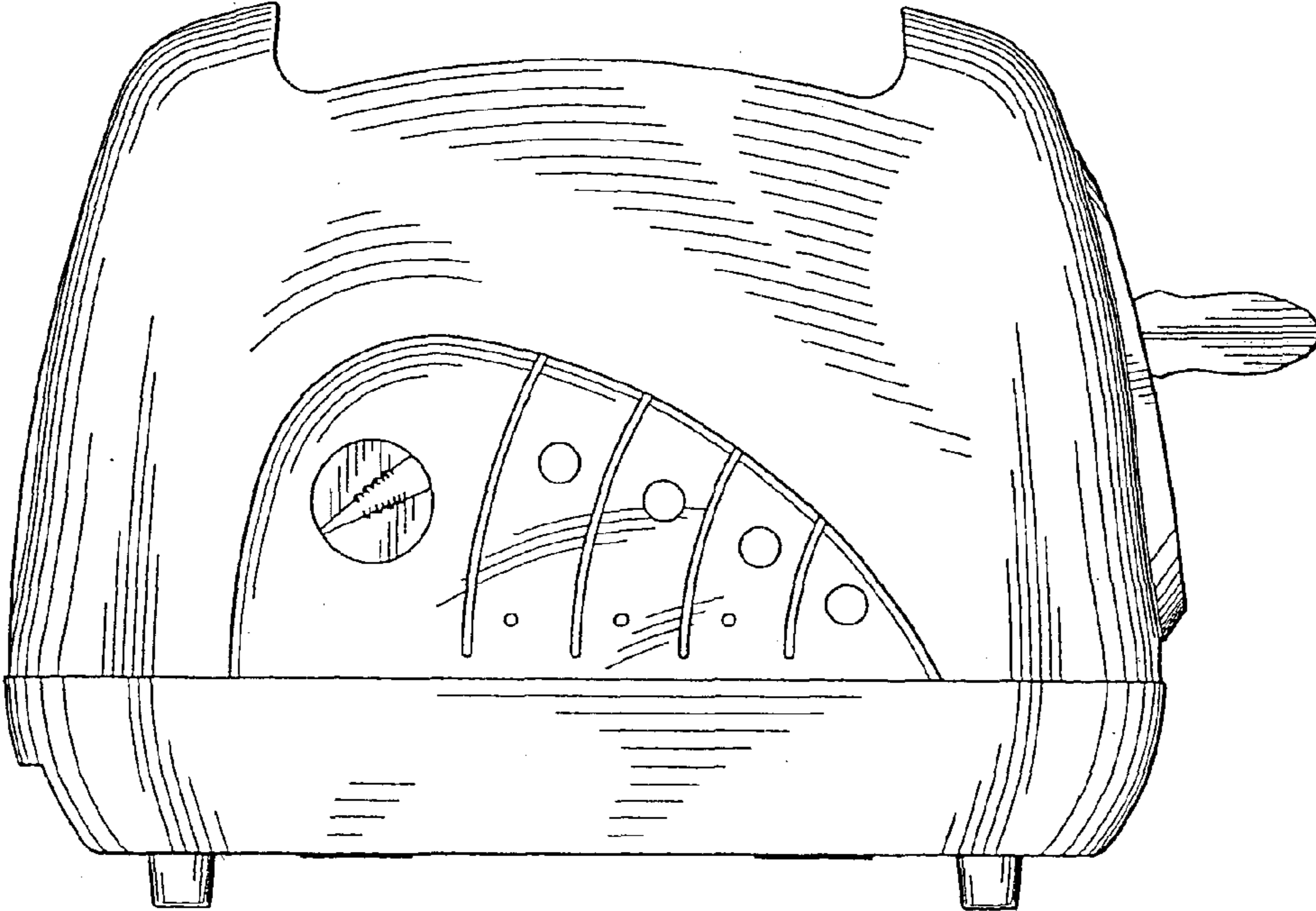


FIG. 3

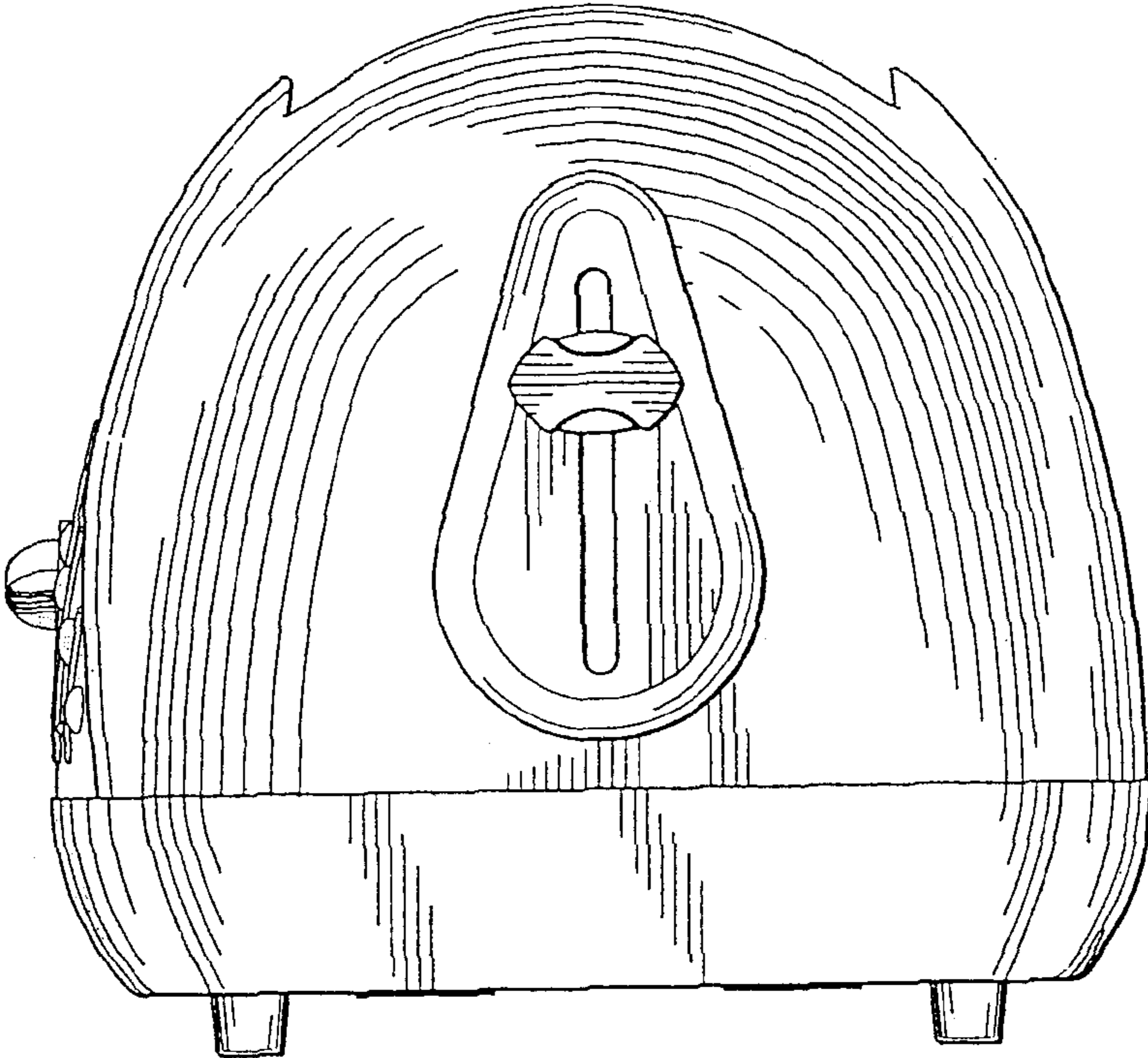


FIG. 4

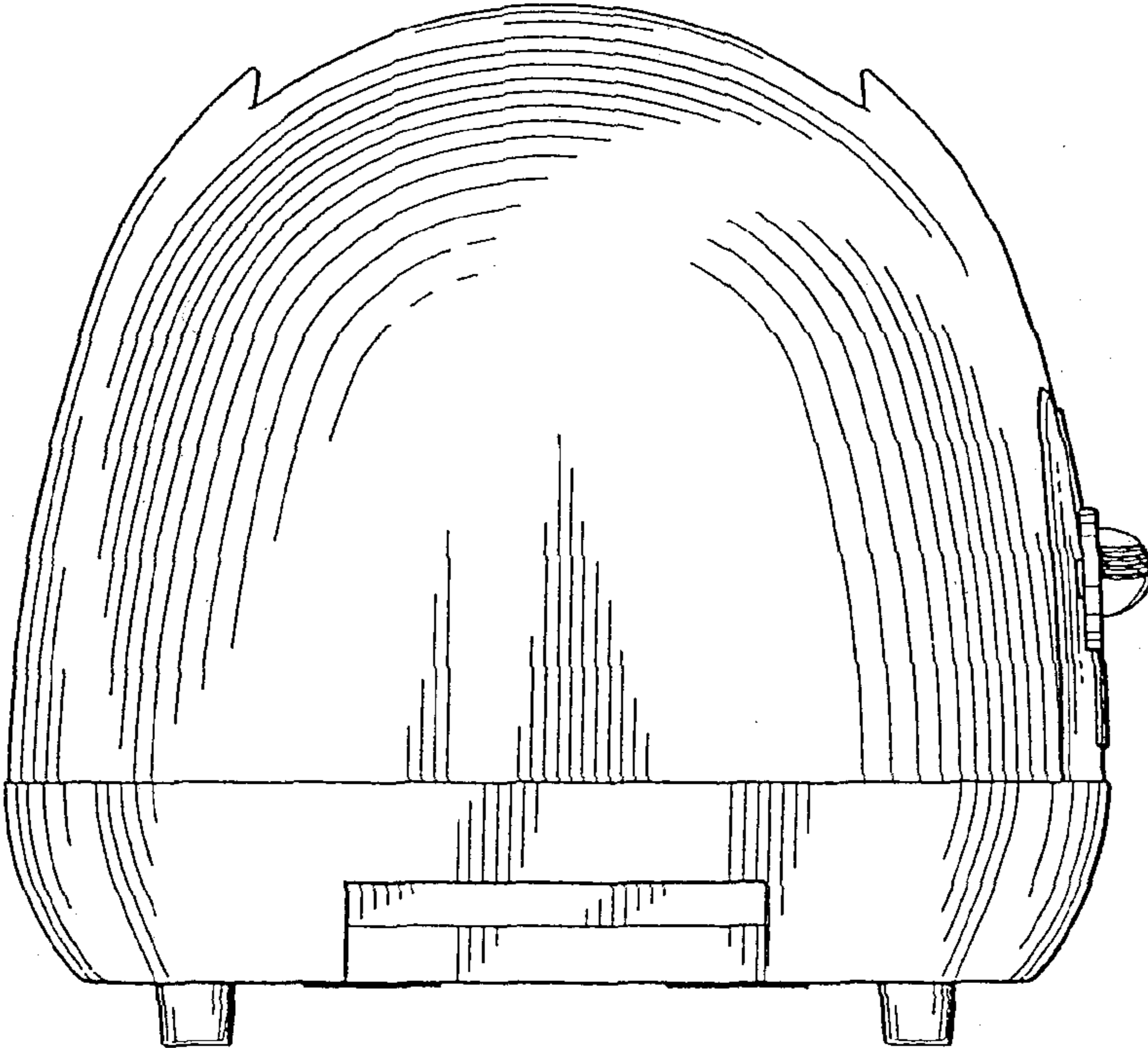


FIG. 5

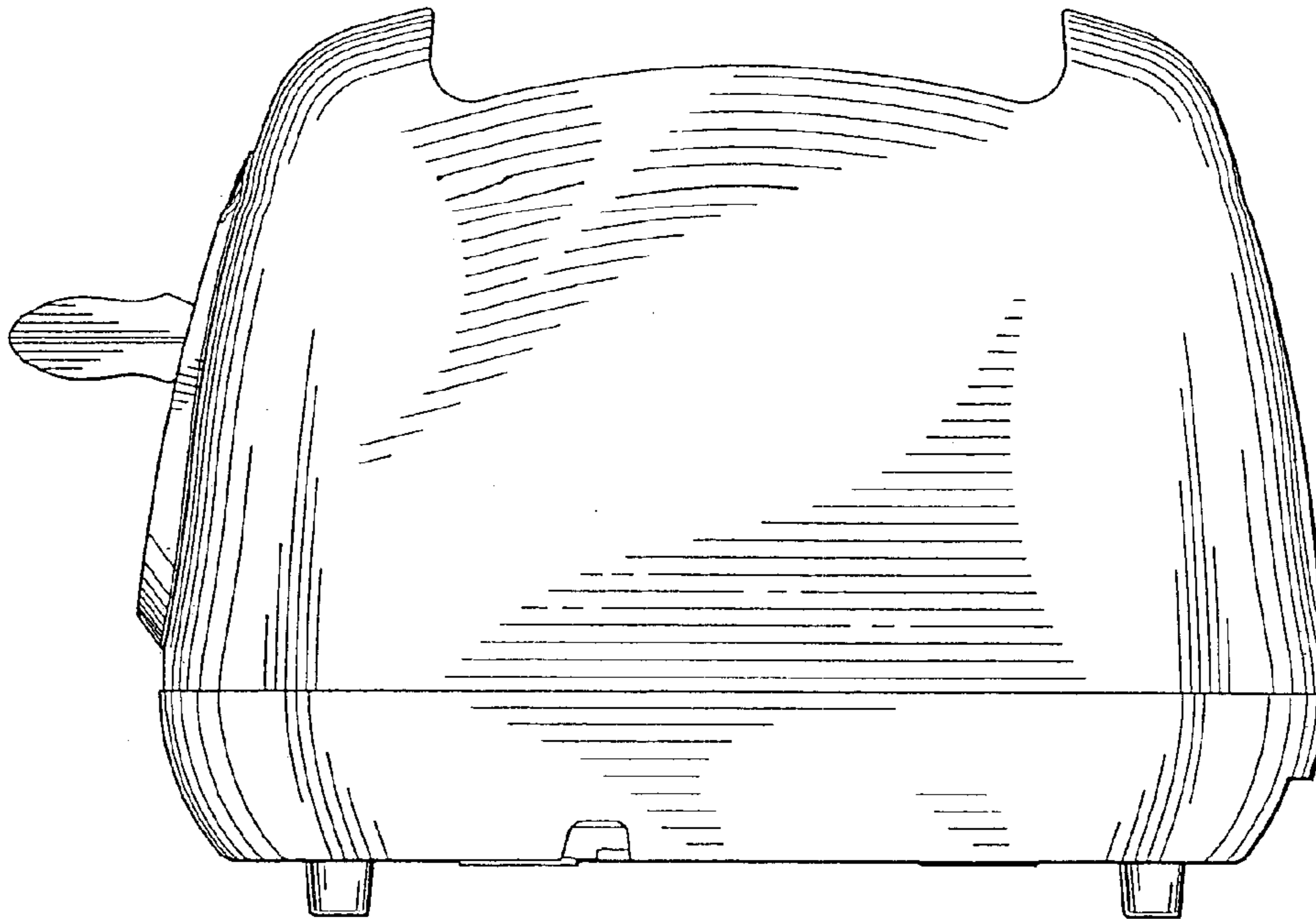


FIG. 6

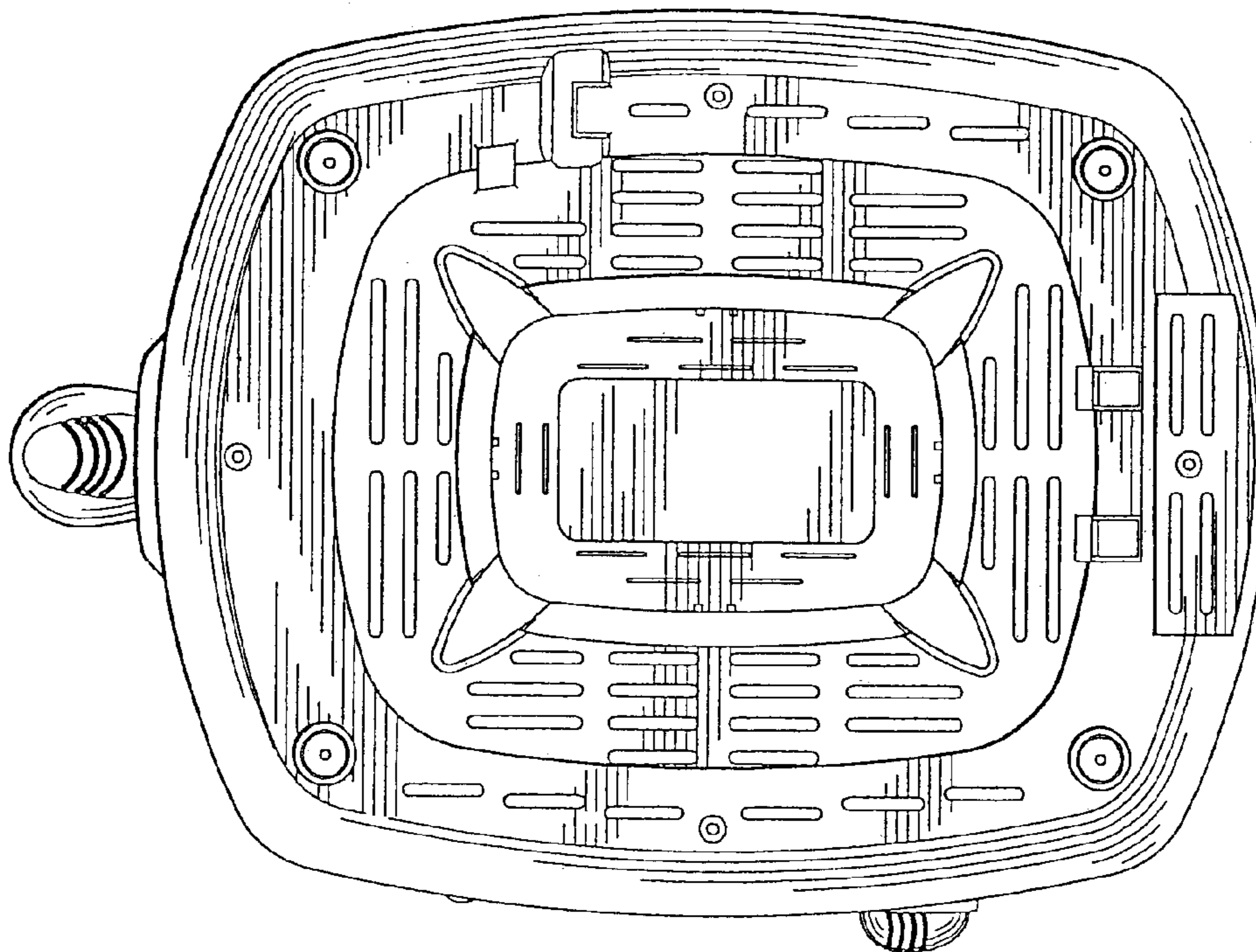


FIG. 7