

US00D511913S

(12) **United States Design Patent**
Kearl et al.

(10) **Patent No.:** **US D511,913 S**
(45) **Date of Patent:** **** Nov. 29, 2005**

(54) **TABLE**
(75) Inventors: **Jacob Kearl**, Plain City, UT (US);
Thayne B. Haney, Syracuse, UT (US)
(73) Assignee: **Lifetime Products, Inc.**, Clearfield, UT
(US)
(**) Term: **14 Years**

4,248,161 A 2/1981 Adair et al.
4,686,910 A 8/1987 Skjerseth
5,029,938 A 7/1991 Song
5,163,414 A 11/1992 Haynes, Jr.
5,272,825 A 12/1993 Simpson

(Continued)

Primary Examiner—Janice E. Seeger
(74) *Attorney, Agent, or Firm*—Workman Nydegger

(21) Appl. No.: **29/204,122**
(22) Filed: **Apr. 23, 2004**

(57) **CLAIM**

The ornamental design for a table, as shown and described.

(51) **LOC (8) Cl.** **06-06**
(52) **U.S. Cl.** **D6/487**
(58) **Field of Search** D6/480–489, 495–499,
D6/429, 450, 451; 108/153.1, 155, 156,
132, 157.1, 161, 131, 118–120; 248/188,
188.1, 188.8, 164, 432, 436

DESCRIPTION

FIG. 1 is a top perspective view of a table, showing our new design with the legs in collapsed condition;
FIG. 2 is a bottom perspective view thereof;
FIG. 3 is a top plan view thereof;
FIG. 4 is a bottom plan view thereof;
FIG. 5 is a front elevational view thereof;
FIG. 6 is a rear elevational view thereof;
FIG. 7 is a left side elevational view thereof;
FIG. 8 is a right side elevational view thereof;
FIG. 9 is a top perspective view of the table with the legs in extended condition;
FIG. 10 is a bottom perspective view thereof;
FIG. 11 is a top plan view thereof;
FIG. 12 is a bottom plan view thereof;
FIG. 13 is a left side elevational view thereof;
FIG. 14 is a right side elevational view thereof;
FIG. 15 is a front elevational view thereof;
FIG. 16 is a rear elevational view thereof;
FIG. 17 is a top perspective view, showing an alternate embodiment of our new design;
FIG. 18 is a bottom perspective view thereof;
FIG. 19 is a left side elevational view, the right side being a mirror image thereof; and,
FIG. 20 is a front elevational view, the rear being a mirror image thereof.

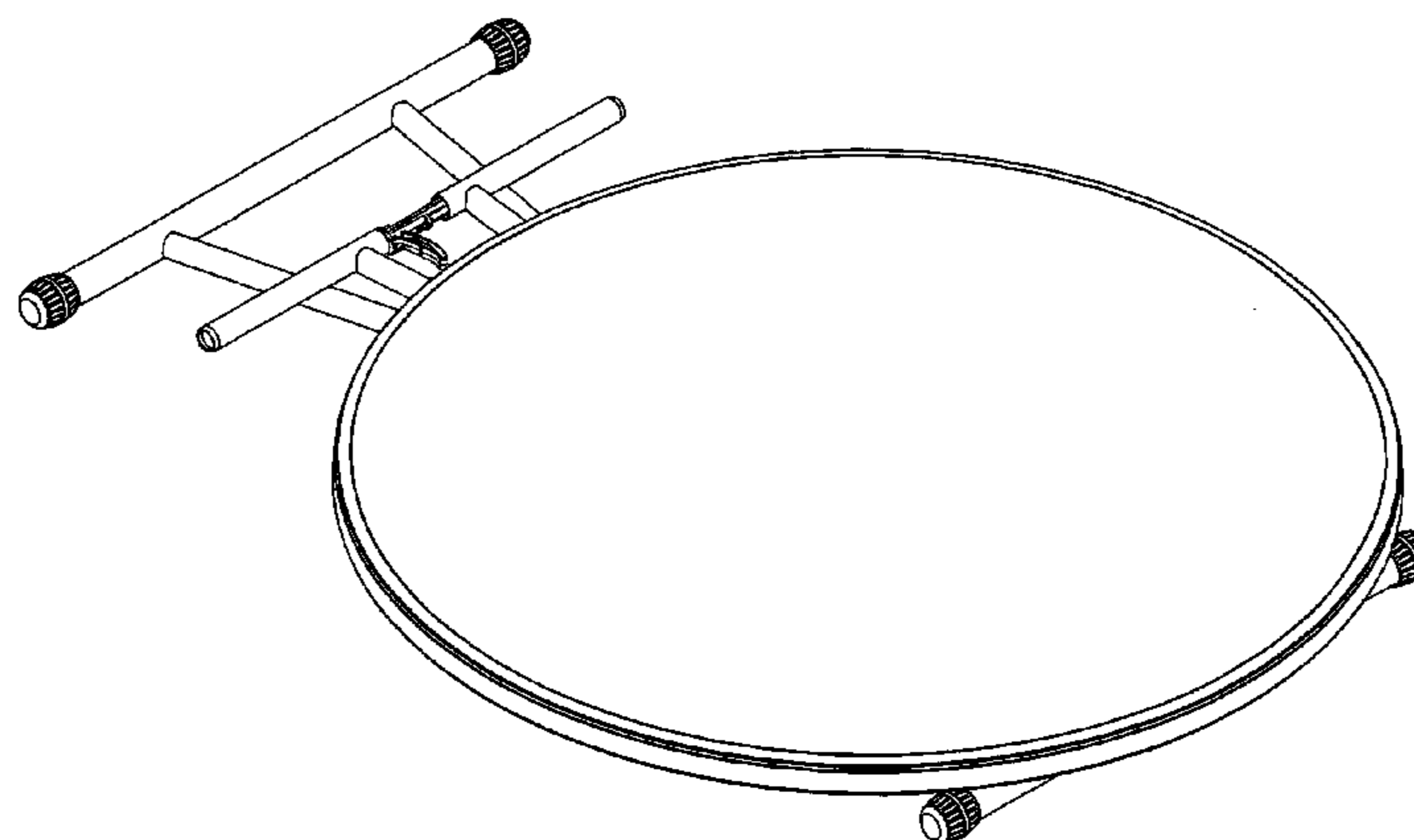
The broken lines shown in the figures are for illustrative purposes only and form no part of the claimed design.

(56) **References Cited**

U.S. PATENT DOCUMENTS

2,285,597 A 6/1942 Lutz et al.
2,540,875 A 2/1951 Genge
2,618,525 A 11/1952 Panzer
2,692,807 A 10/1954 Cordola
2,778,700 A 1/1957 Mayer
2,857,228 A 10/1958 Koett
3,031,243 A 4/1962 Crenoi
3,106,295 A 10/1963 Berlin
3,108,550 A 10/1963 Knoblock
3,224,389 A 12/1965 Kent
3,247,811 A 4/1966 Bauder
3,265,019 A 8/1966 Haydock
3,303,797 A 2/1967 Mueller
3,345,959 A * 10/1967 Linstead 108/119
3,565,019 A 2/1971 Bedol
3,692,358 A 9/1972 Sung
D233,392 S 10/1974 Hutchinson
3,906,848 A 9/1975 Gow
3,954,068 A 5/1976 Roberts et al.
D246,341 S 11/1977 Boughton
4,099,469 A 7/1978 Sahli
4,105,271 A 8/1978 Sebel et al.
4,196,675 A 4/1980 Cook

1 Claim, 11 Drawing Sheets



US D511,913 S

Page 2

U.S. PATENT DOCUMENTS

5,353,715 A	10/1994	Luyk	6,019,050 A	2/2000	Ranta	
5,358,204 A	10/1994	Terada	6,112,674 A	9/2000	Stanford	
5,478,138 A	12/1995	Yu	6,327,800 B1	12/2001	Daams	
5,483,901 A	1/1996	Tisbo et al.	6,401,630 B1	6/2002	Peterson	
5,603,267 A	2/1997	Soper	D469,994 S	2/2003	Smith	
5,644,994 A	7/1997	Liang et al.	D469,996 S	2/2003	Ashby	
5,678,491 A	10/1997	Price et al.	D470,352 S	2/2003	Strong	
5,868,081 A	2/1999	Raab	6,536,359 B2 *	3/2003	Liu	108/118
D408,167 S	4/1999	Cloud	6,550,404 B2	4/2003	Stanford	
5,893,604 A	4/1999	Yao	D481,567 S	11/2003	Ashby et al.	
D416,148 S	11/1999	Pagnon et al.	6,651,568 B1 *	11/2003	Buono	108/127

* cited by examiner

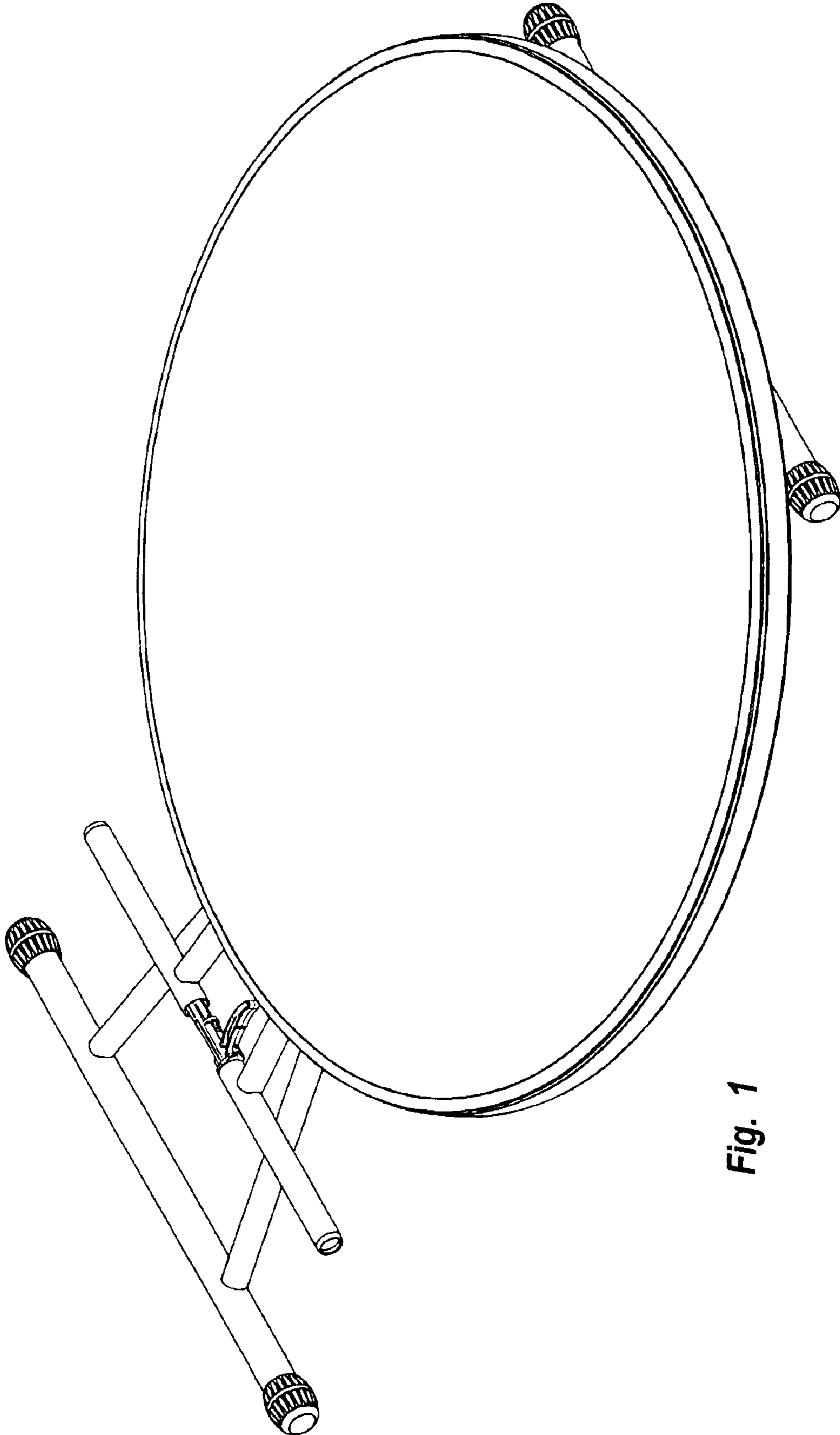


Fig. 1

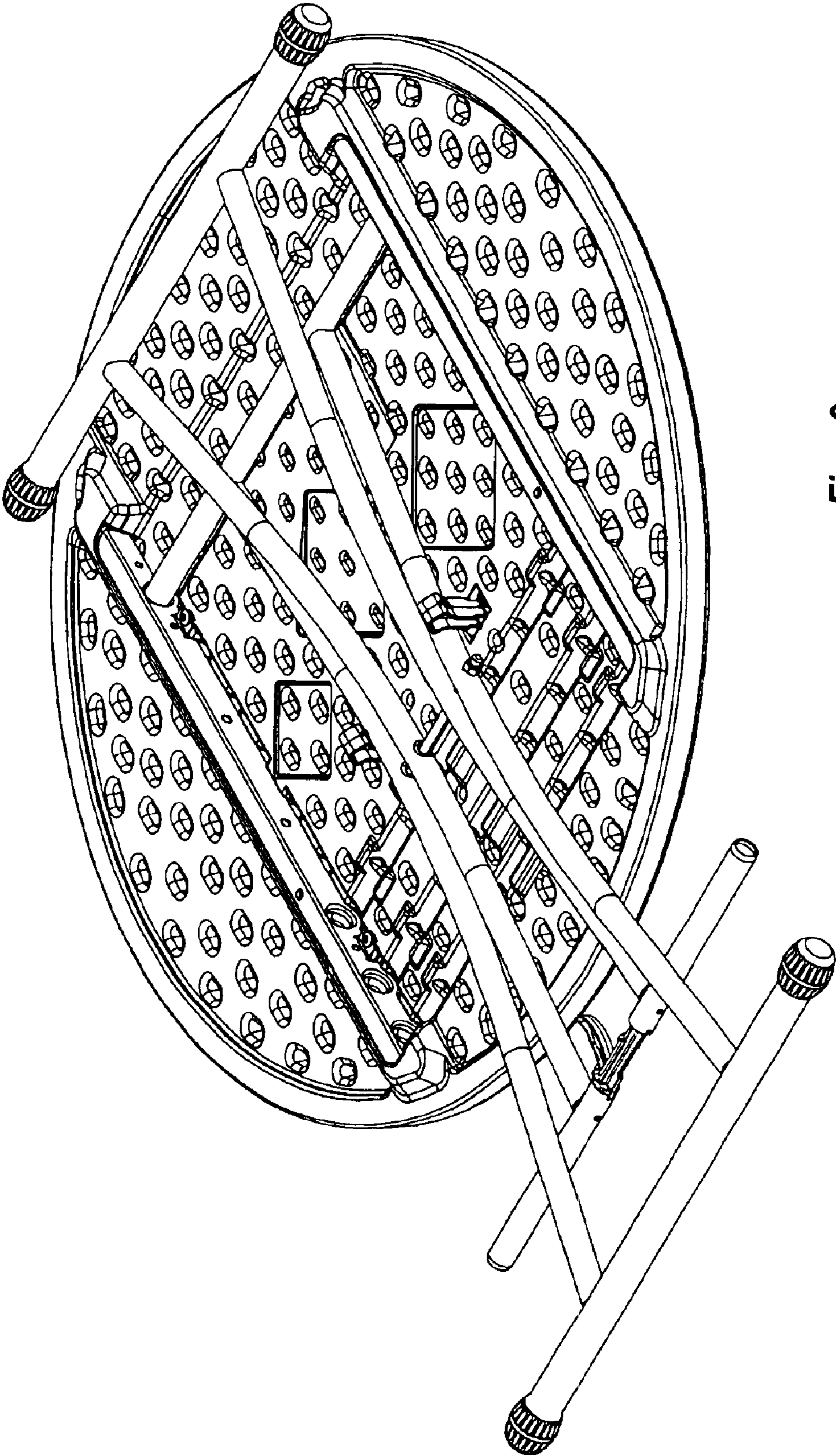


Fig. 2

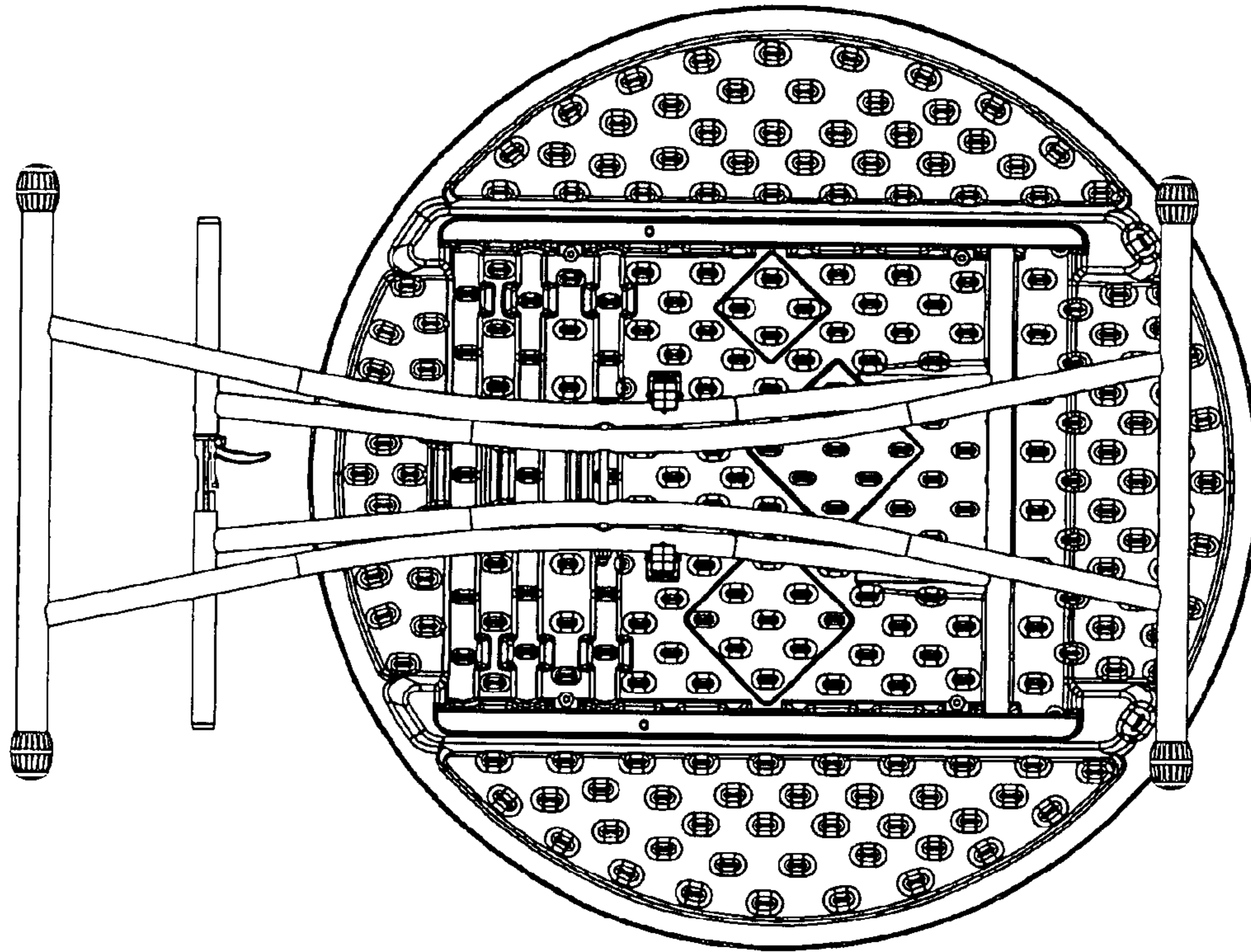


Fig. 4

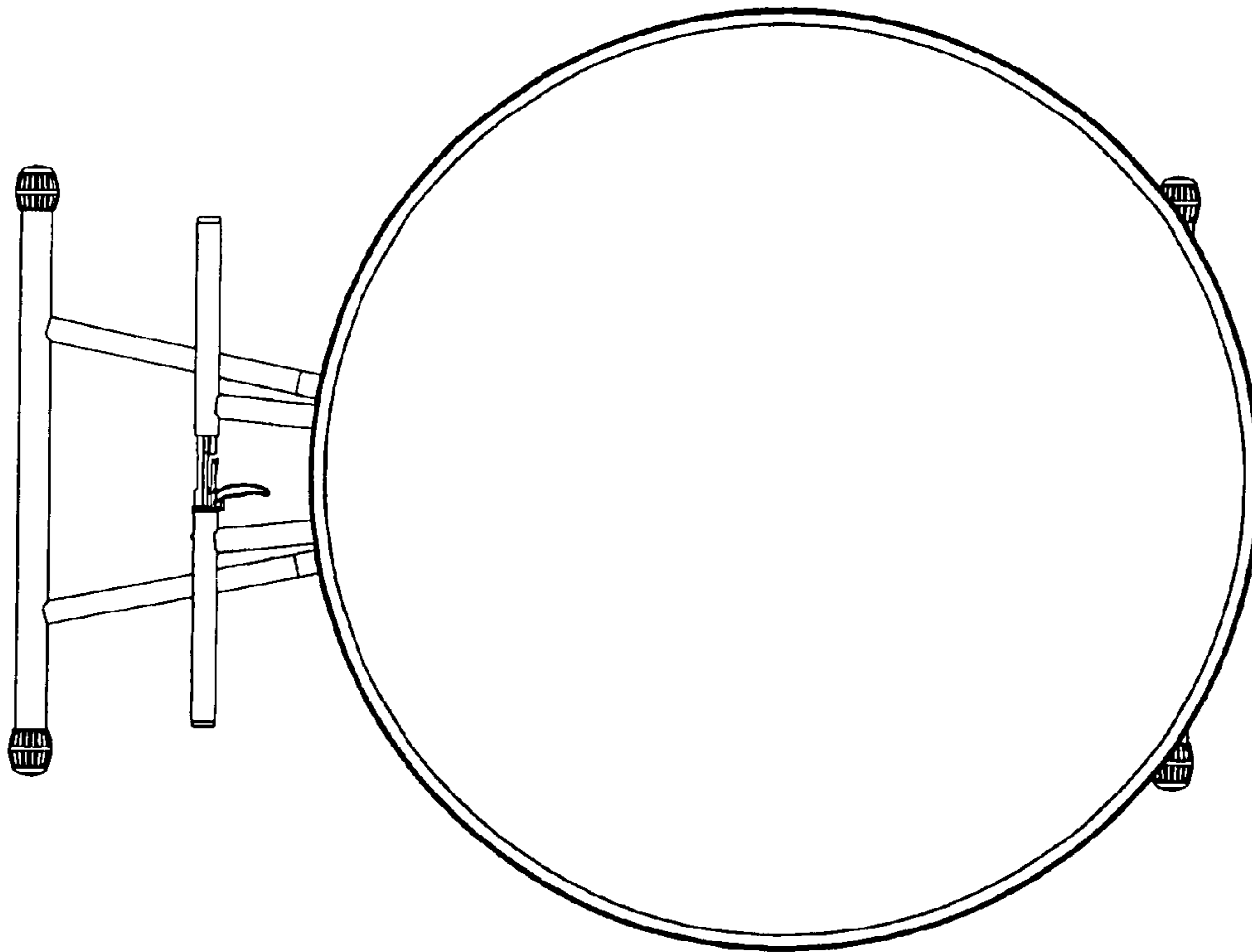


Fig. 3

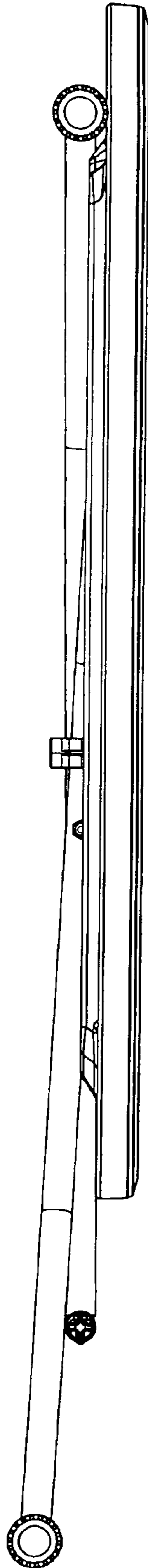


Fig. 5

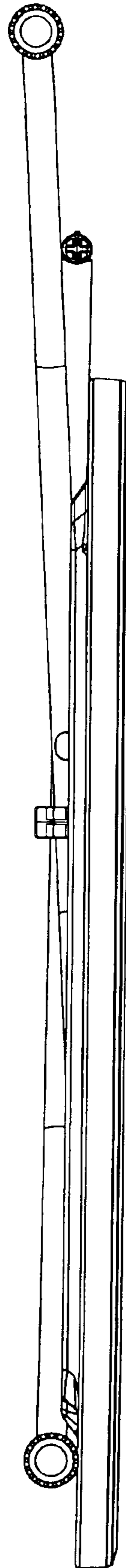


Fig. 6

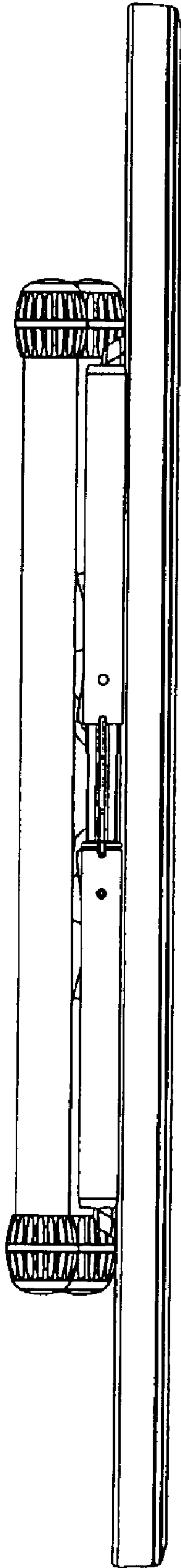


Fig. 7

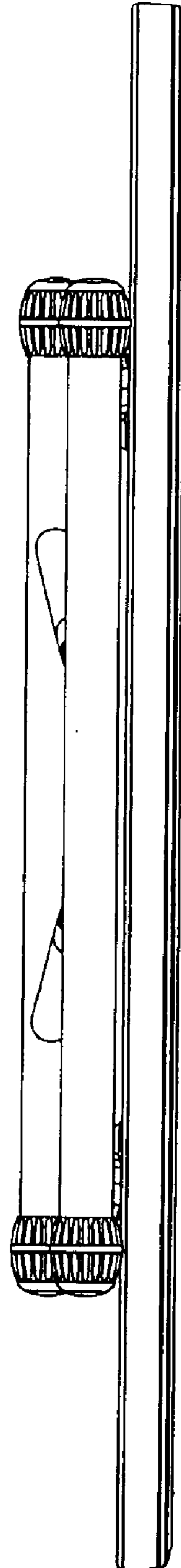


Fig. 8

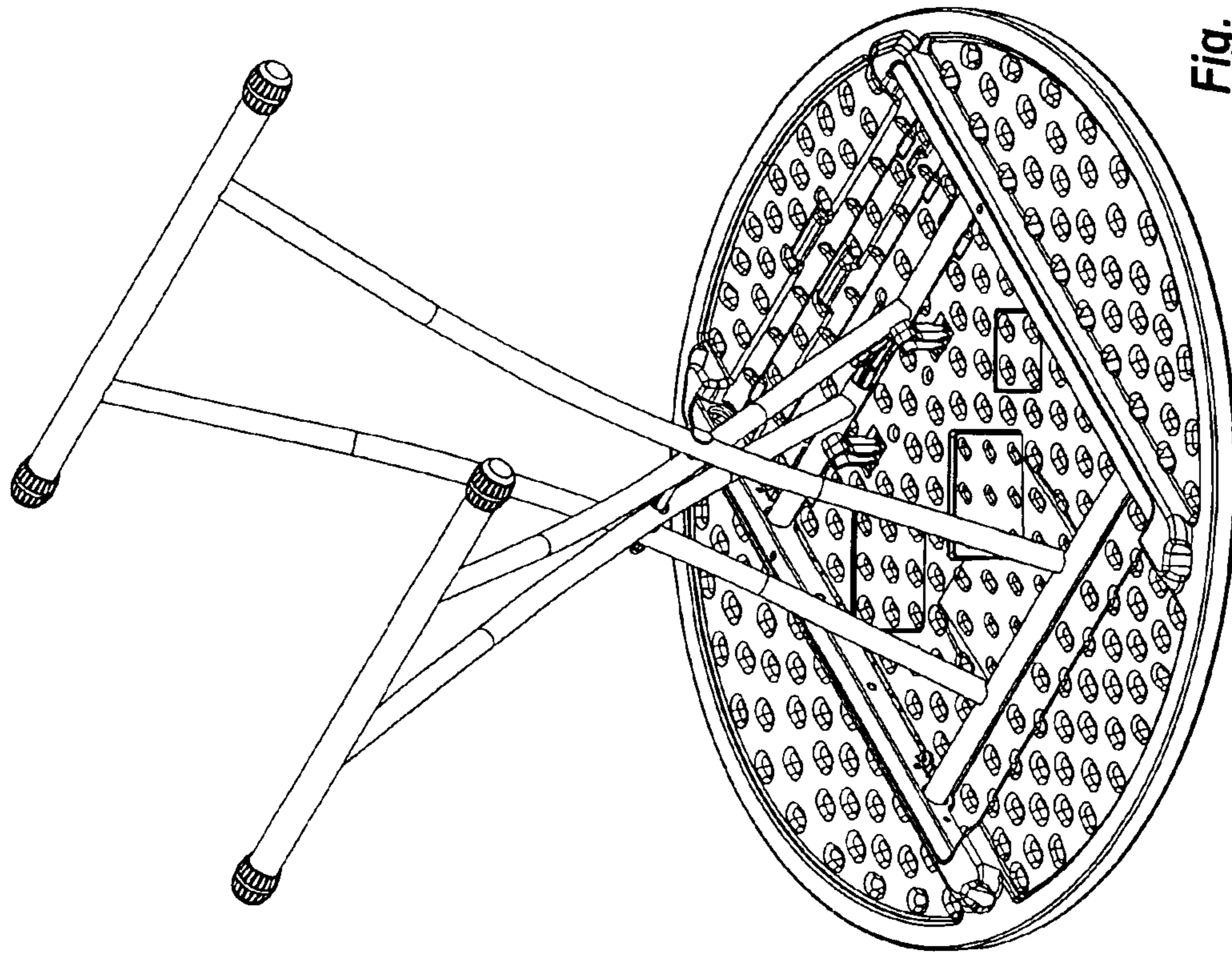


Fig. 10

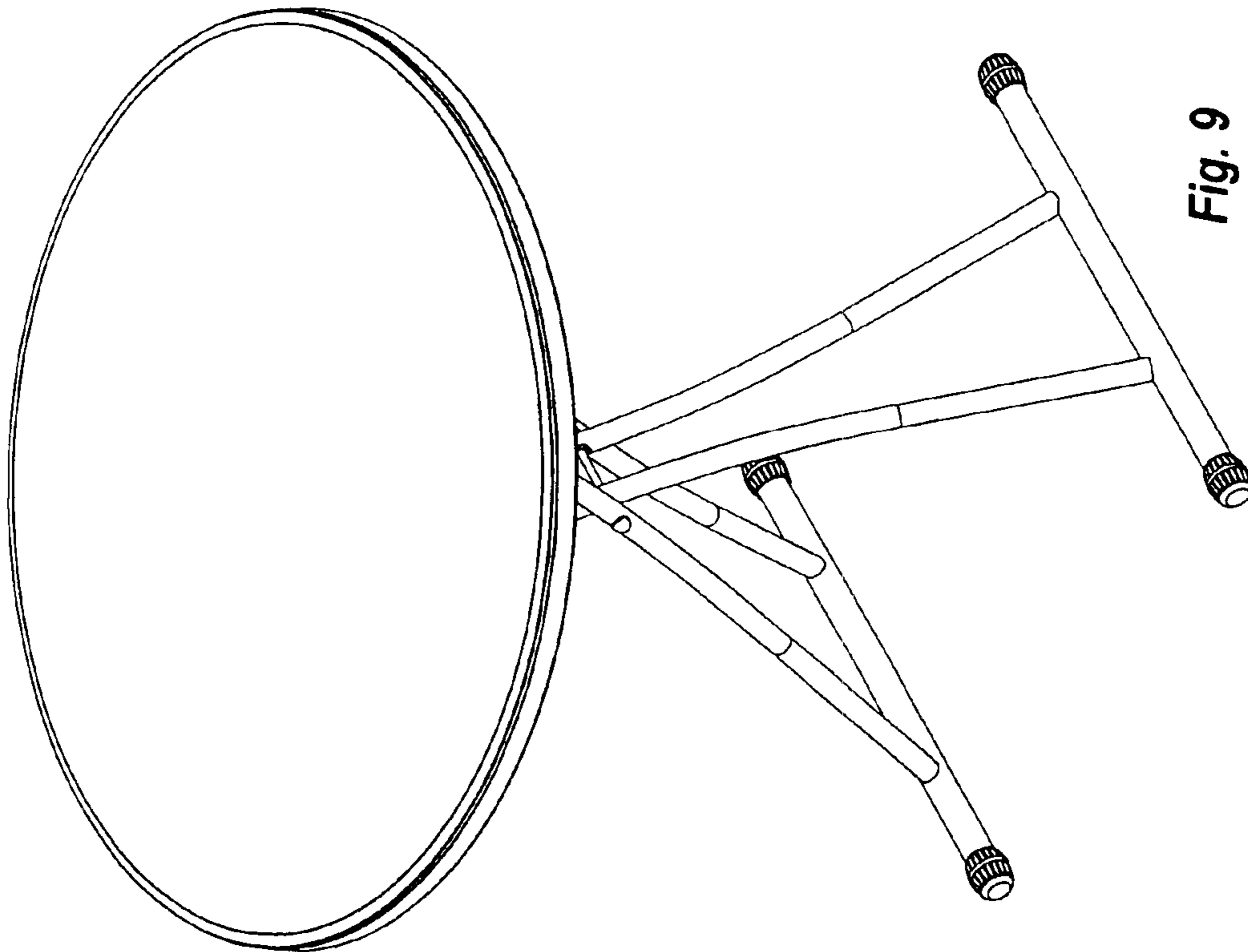


Fig. 9

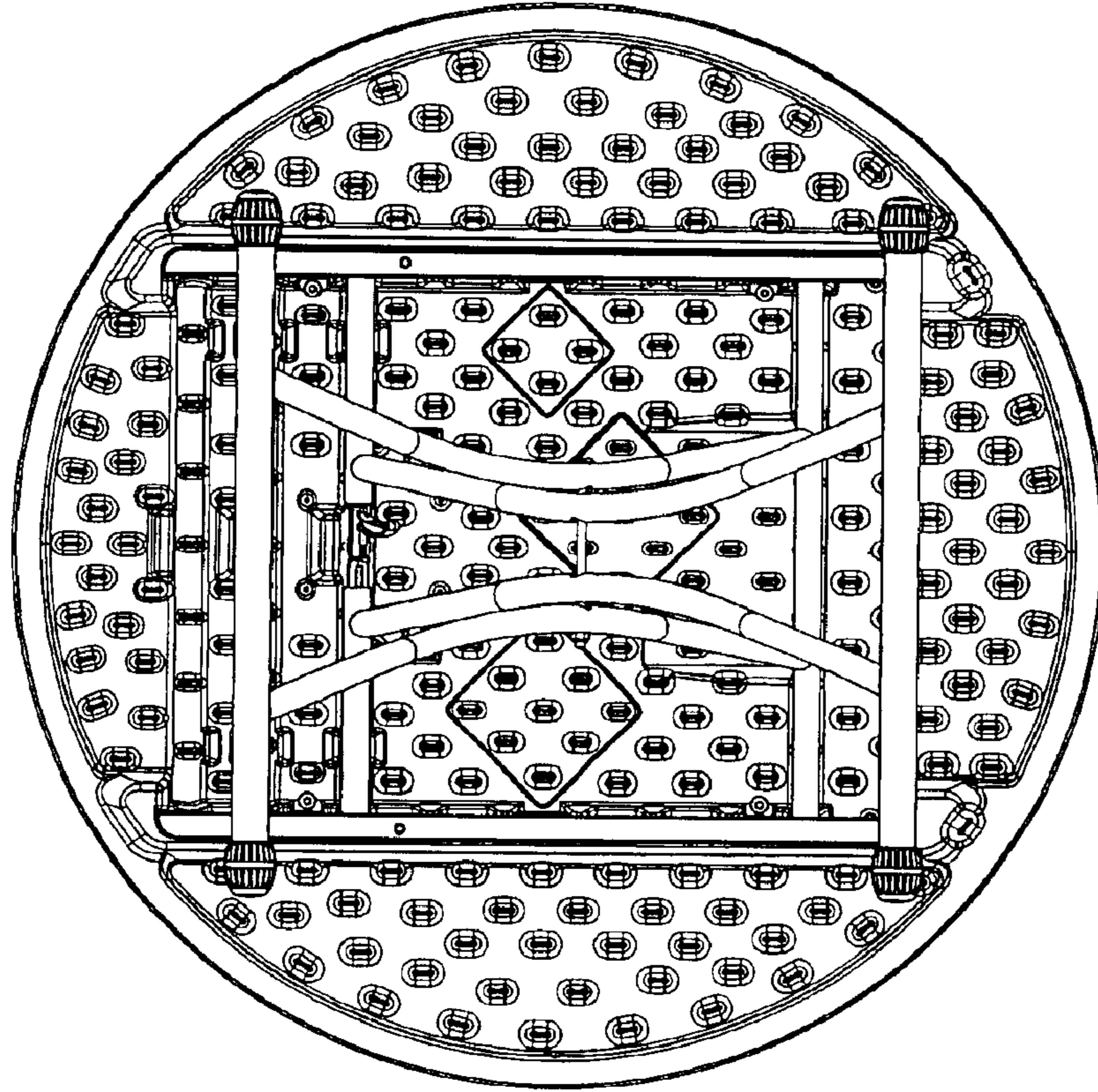


Fig. 12

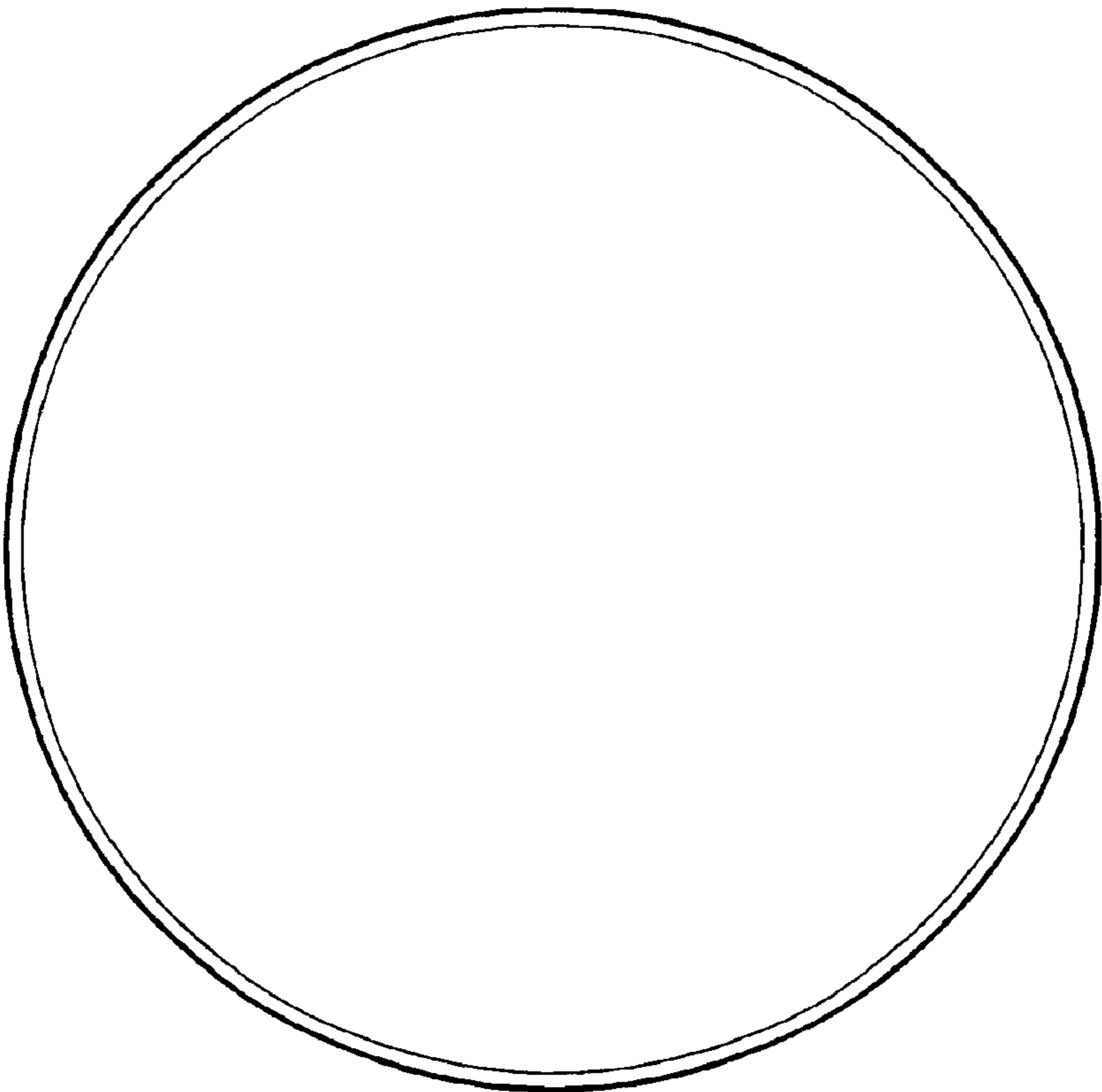


Fig. 11

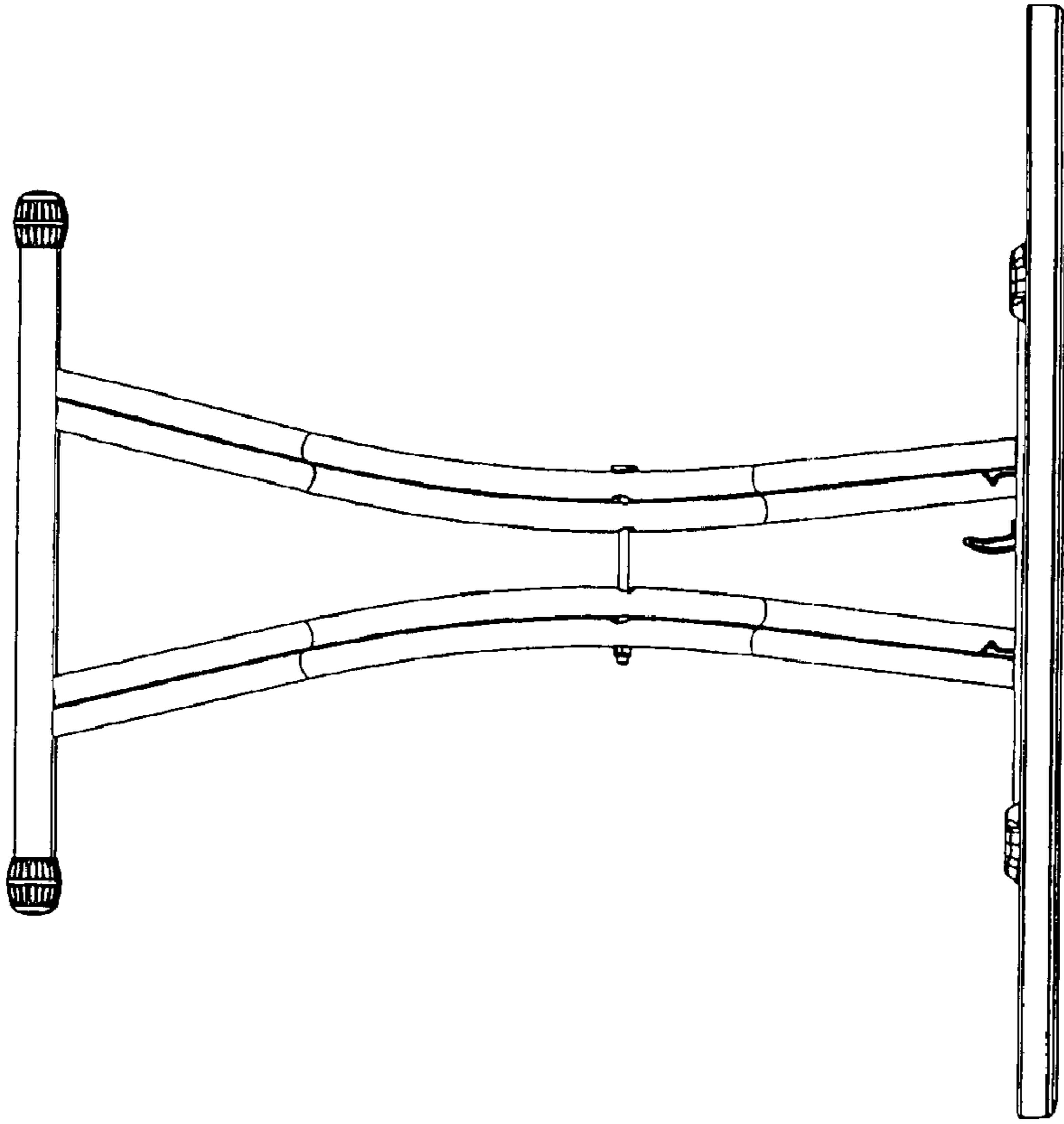


Fig. 14

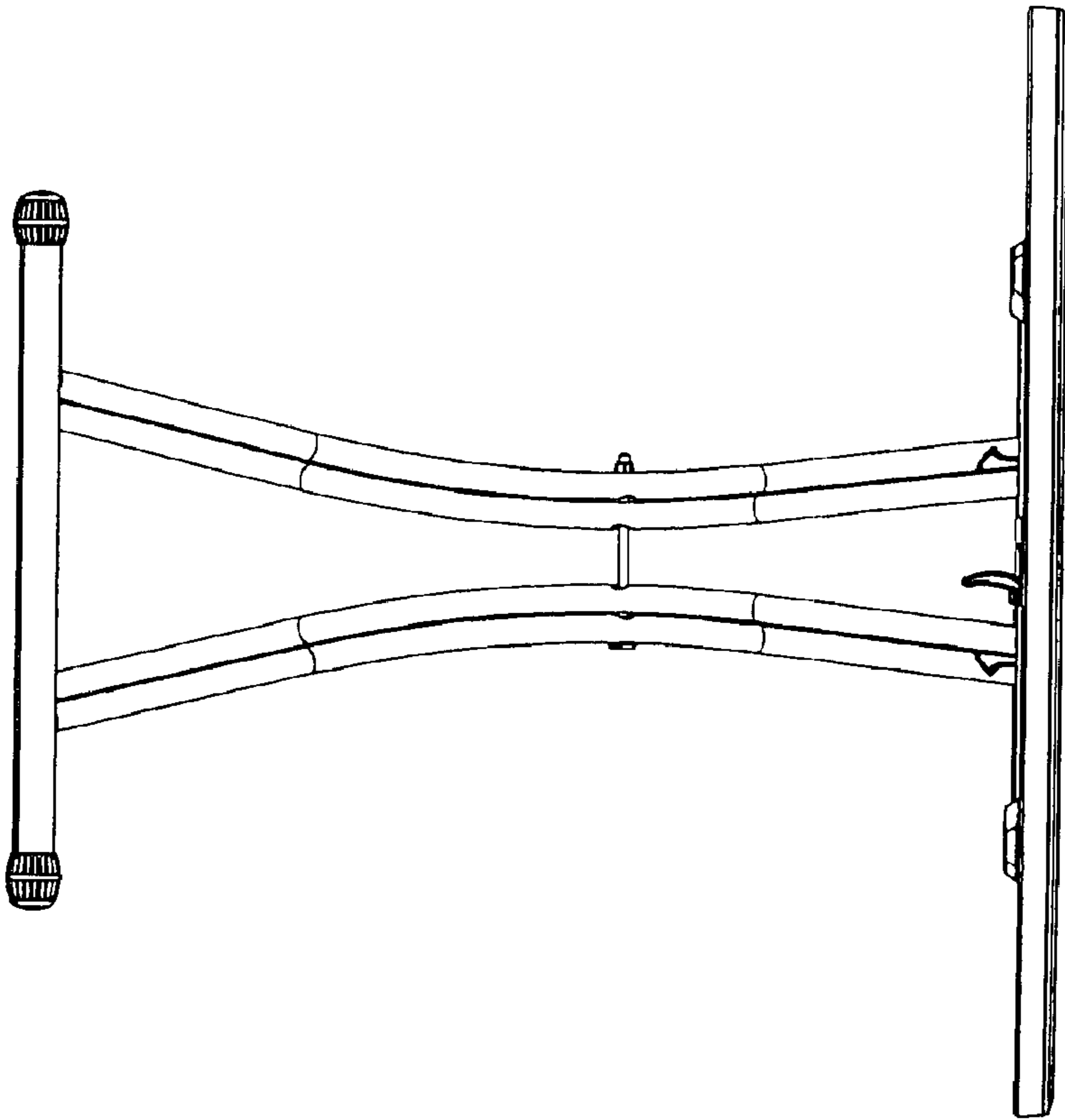


Fig. 13

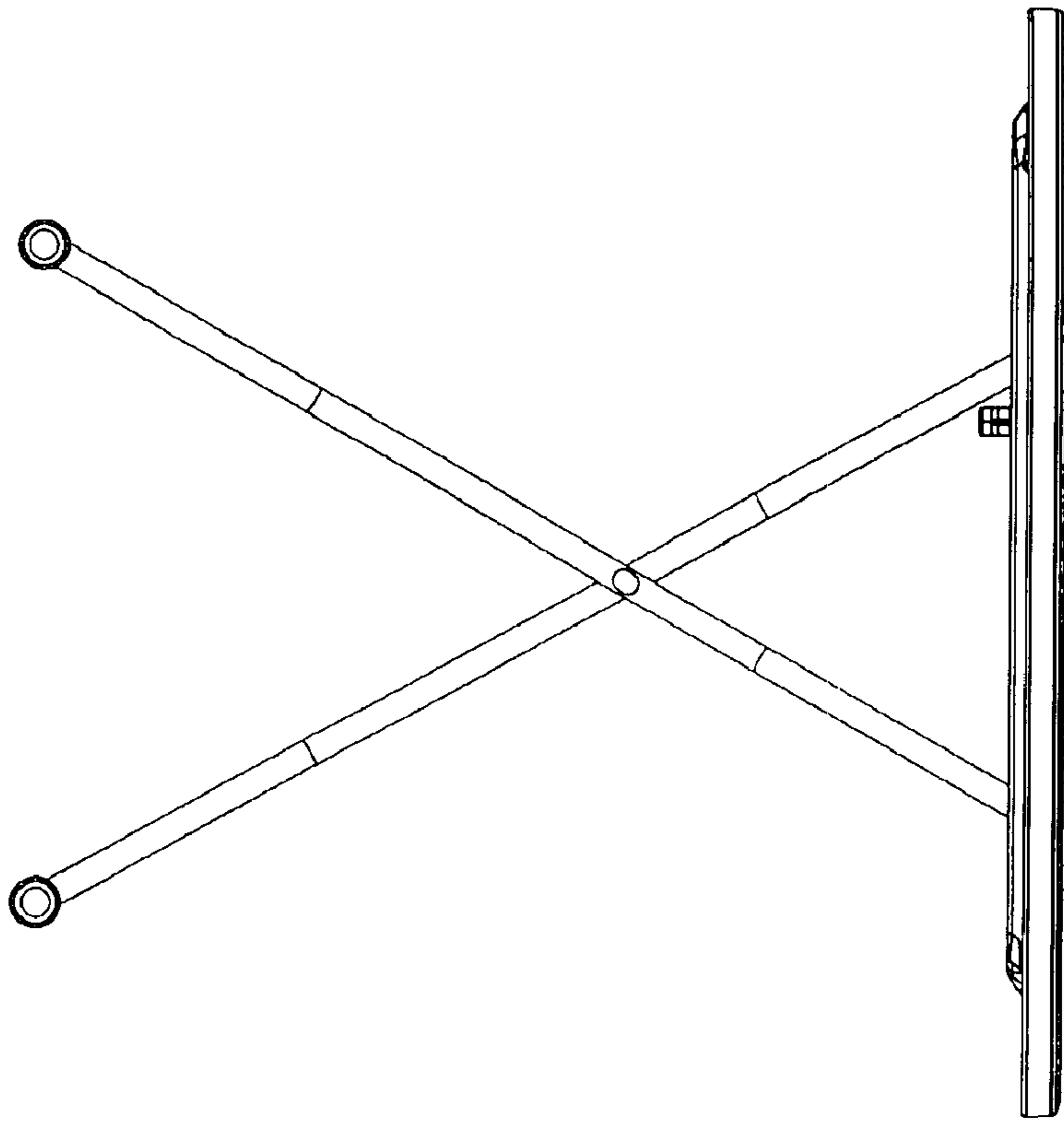


Fig. 16

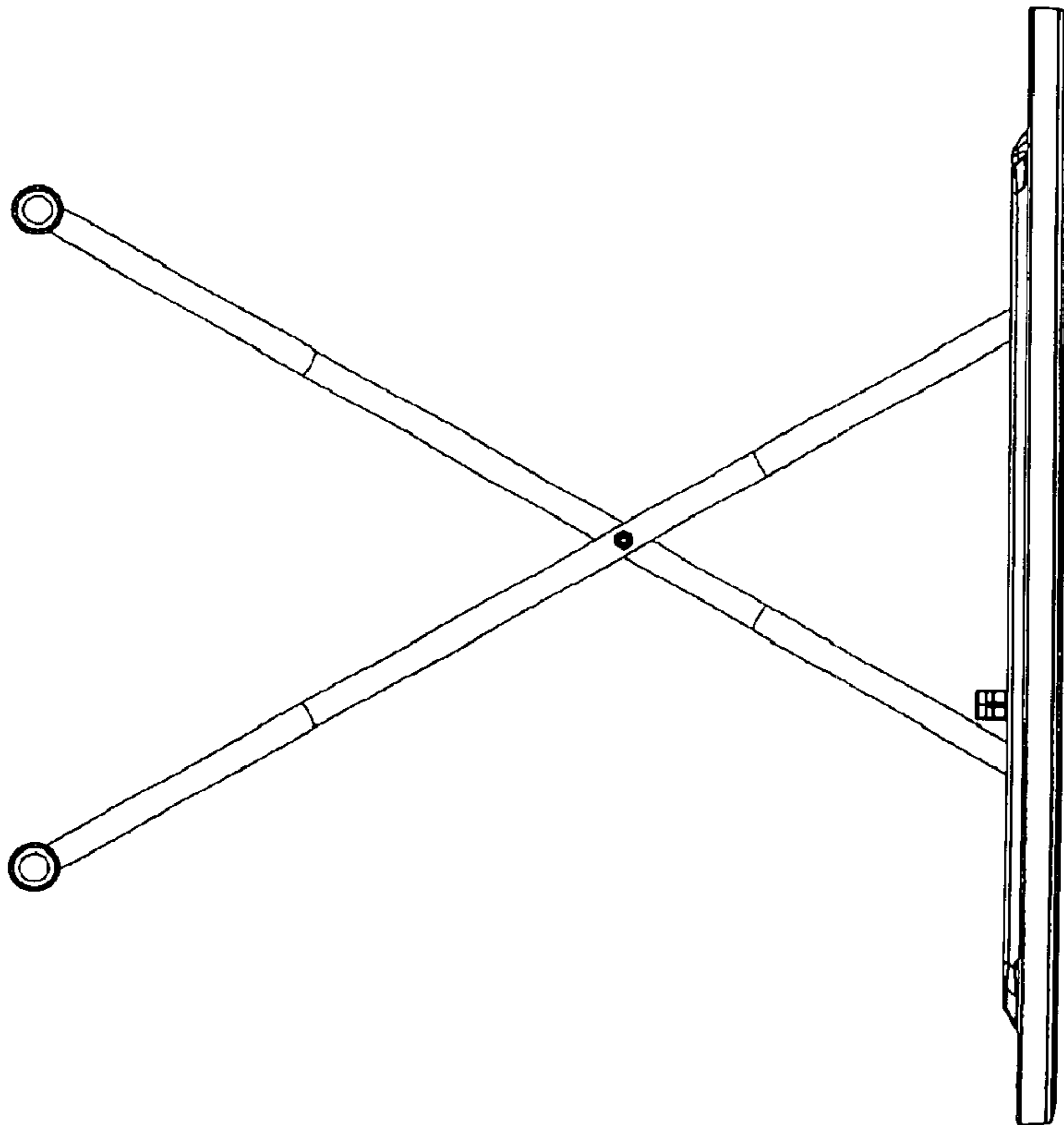


Fig. 15

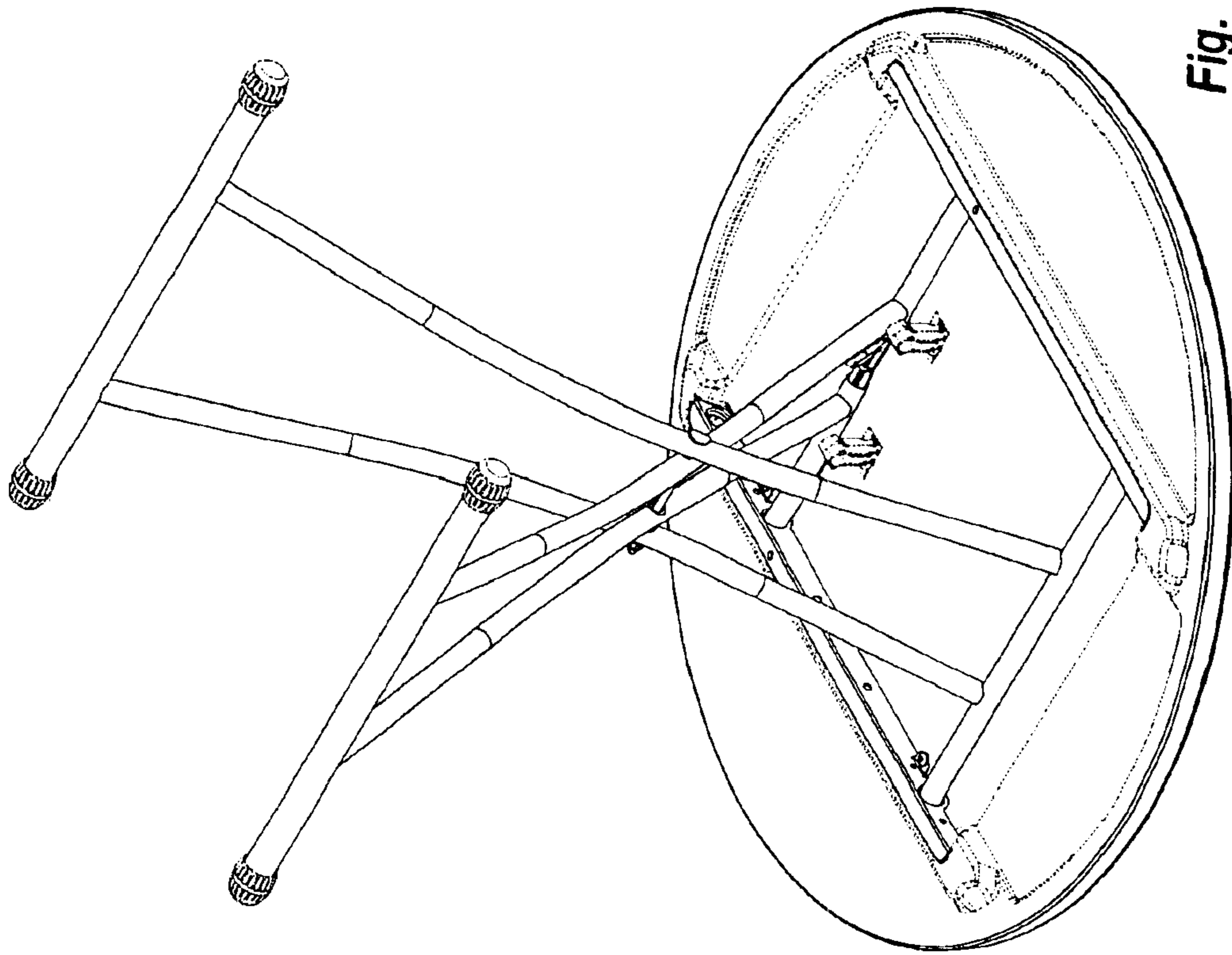


Fig. 18

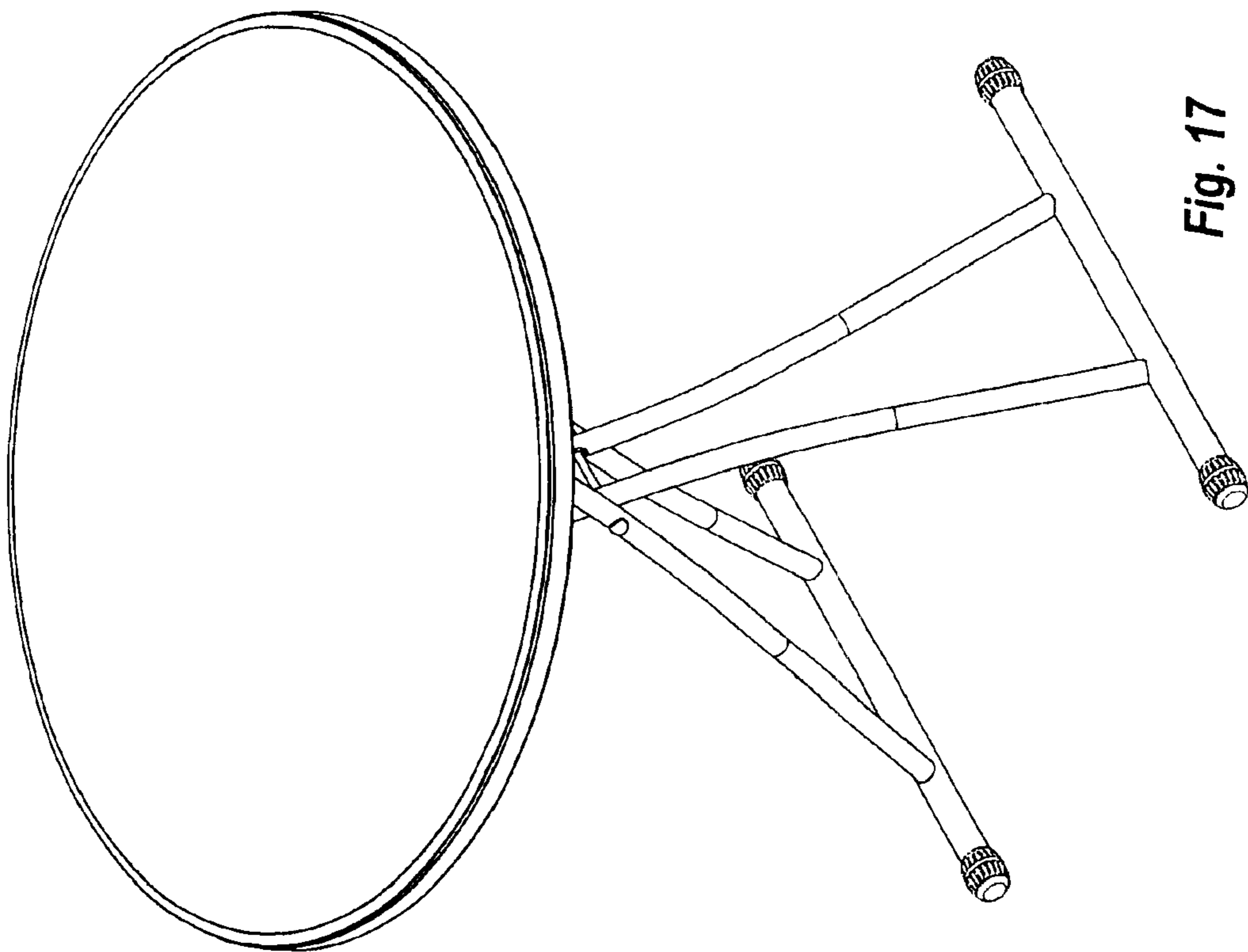


Fig. 17

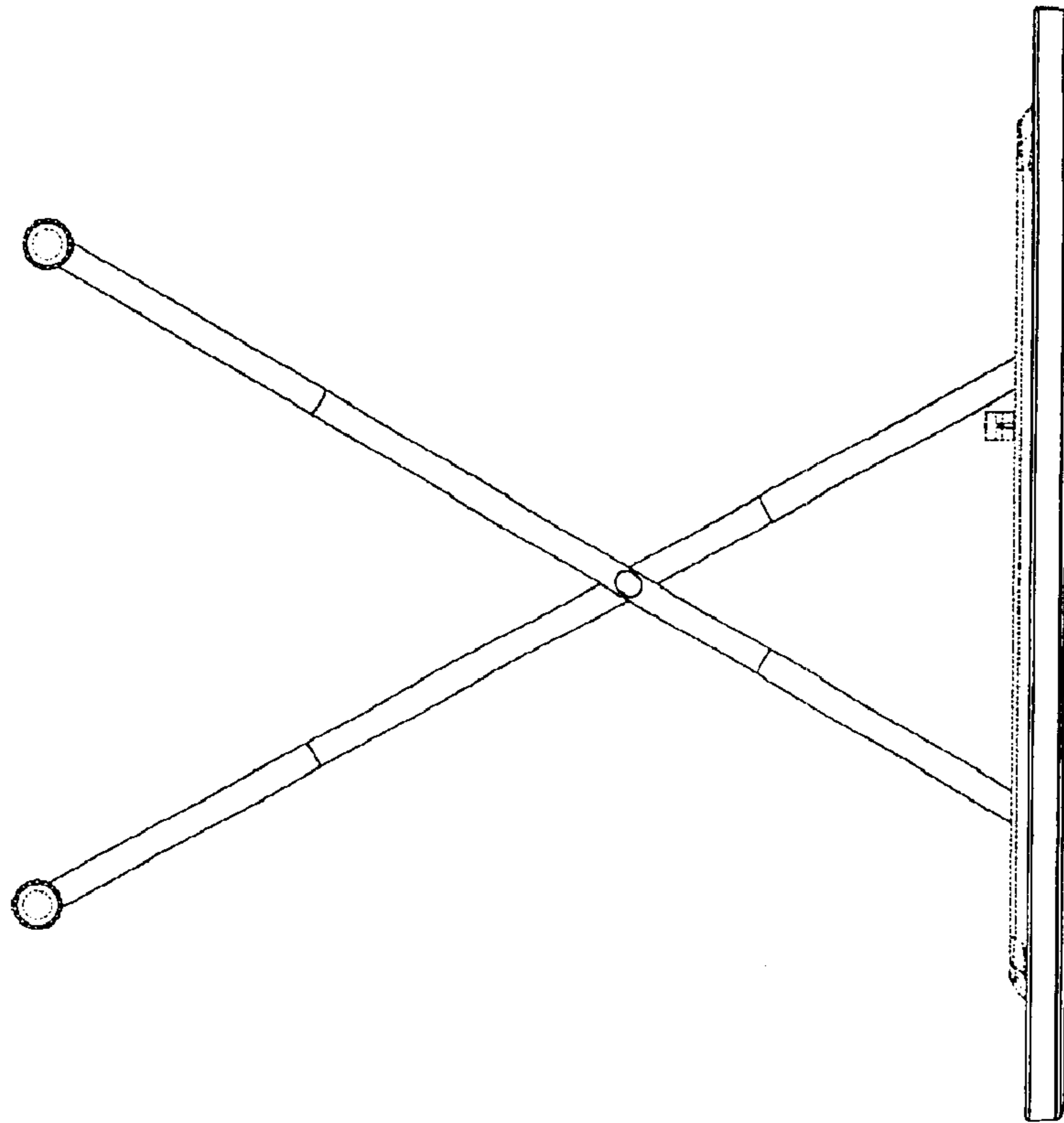


Fig. 20

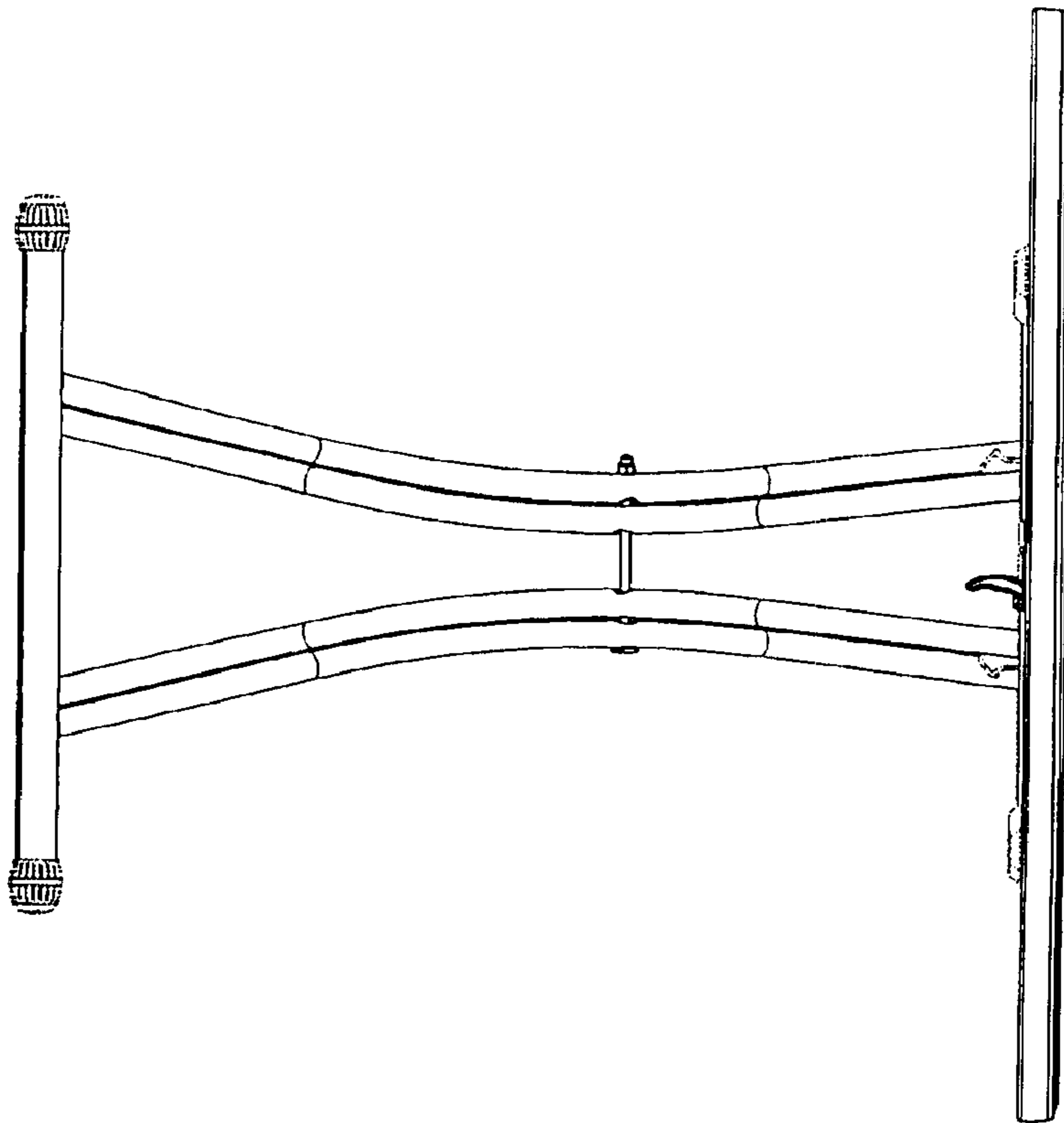


Fig. 19