



US00D511905S

(12) **United States Design Patent**
Fox et al.

(10) **Patent No.: US D511,905 S**

(45) **Date of Patent: ** Nov. 29, 2005**

(54) **DOLL STORE FIXTURE**

(75) Inventors: **Robert N. Fox**, St. Louis, MO (US);
Jessica T. Crane, Chicago, IL (US);
Gregory F. Kopplin, Chicago, IL (US)

(73) Assignee: **Build-A-Bear Retail Management, Inc.**, St. Louis, MO (US)

(**) Term: **14 Years**

(21) Appl. No.: **29/195,175**

(22) Filed: **Dec. 8, 2003**

(51) **LOC (8) Cl.** **06-04**

(52) **U.S. Cl.** **D6/436; D6/476**

(58) **Field of Search** D6/396, 397, 402,
D6/436, 470, 472, 476; 211/13.1, 85.1,
85.3, 85.4; 312/114, 118, 119

(56) **References Cited**

U.S. PATENT DOCUMENTS

D307,986 S * 5/1990 Falk D6/440
D338,787 S * 8/1993 Whitford D6/437

D379,884 S * 6/1997 Eastman D6/472
D408,084 S * 4/1999 Davis et al. D25/16
D413,211 S * 8/1999 Baluk et al. D6/470
D440,335 S * 4/2001 Kuo D6/399

* cited by examiner

Primary Examiner—Cathron C. Brooks

(74) *Attorney, Agent, or Firm*—Blackwell Sanders Peper Martin LLP

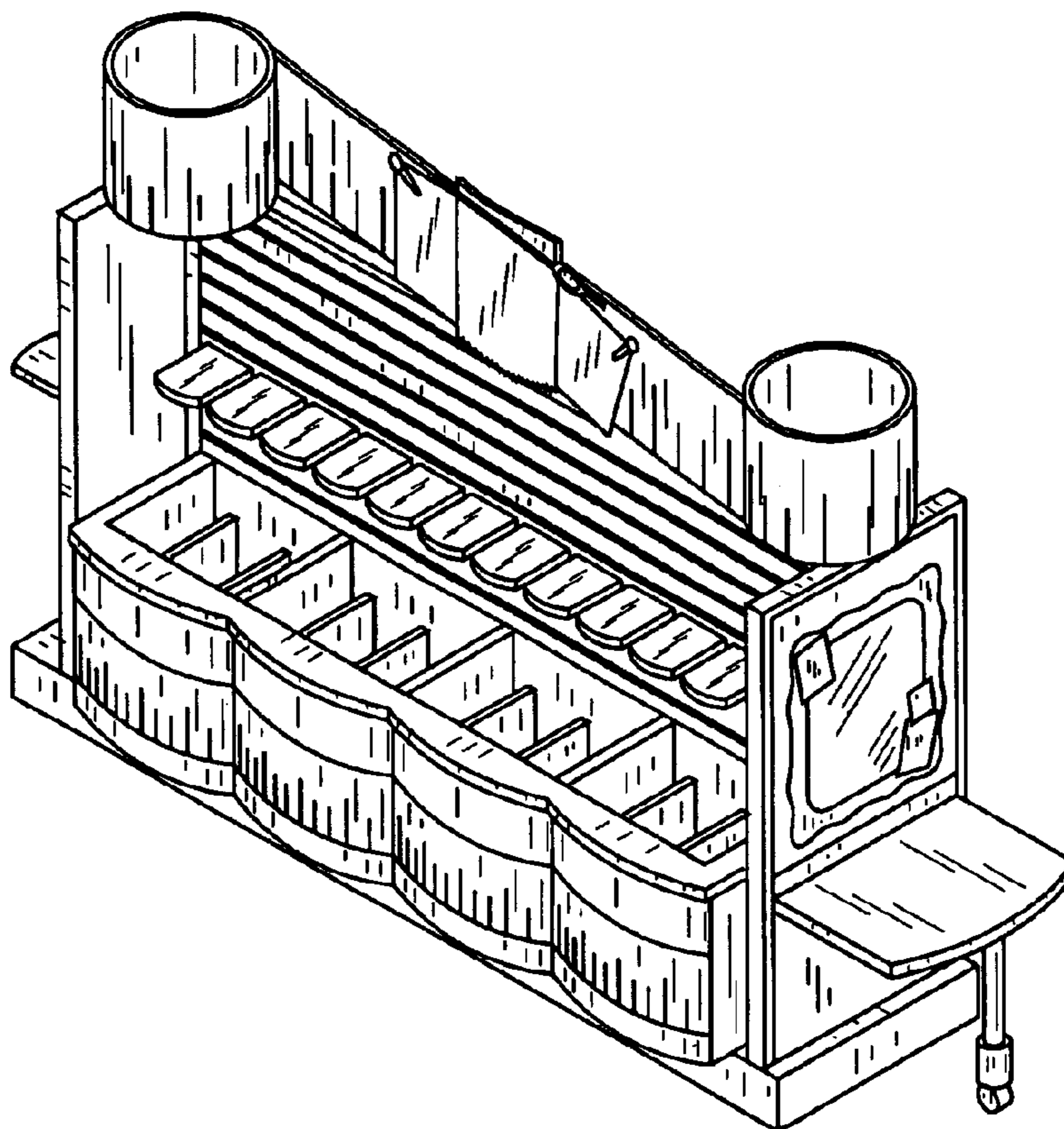
(57) **CLAIM**

The ornamental design for a doll store fixture, as shown and described.

DESCRIPTION

FIG. 1 is a perspective view of a doll store fixture showing my new design;
FIG. 2 is a front elevational view thereof;
FIG. 3 is a rear elevational view thereof;
FIG. 4 is a top plan view thereof;
FIG. 5 is a left side elevational view thereof; and,
FIG. 6 is a right side elevational view thereof.

1 Claim, 2 Drawing Sheets



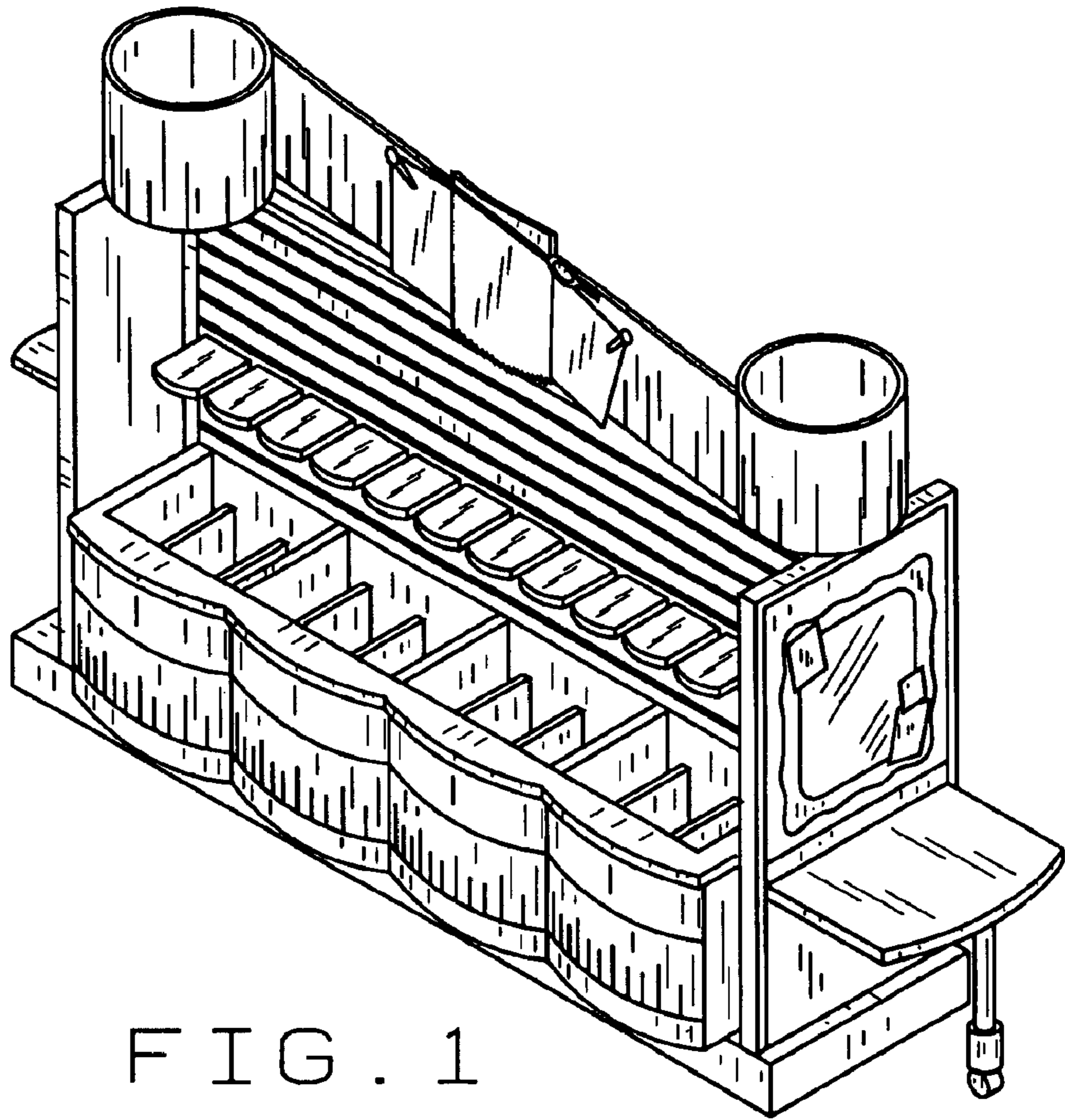


FIG. 1

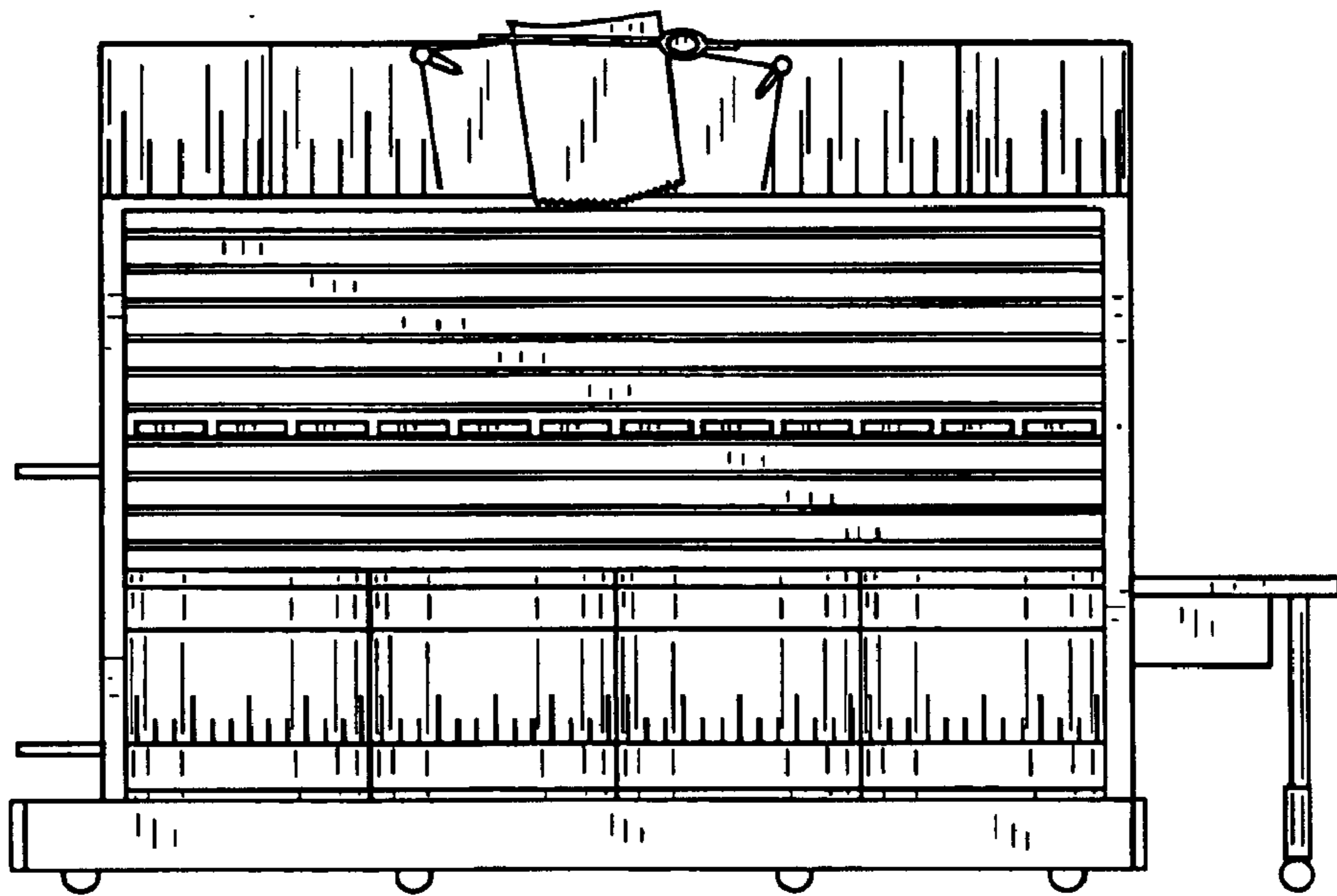


FIG. 2

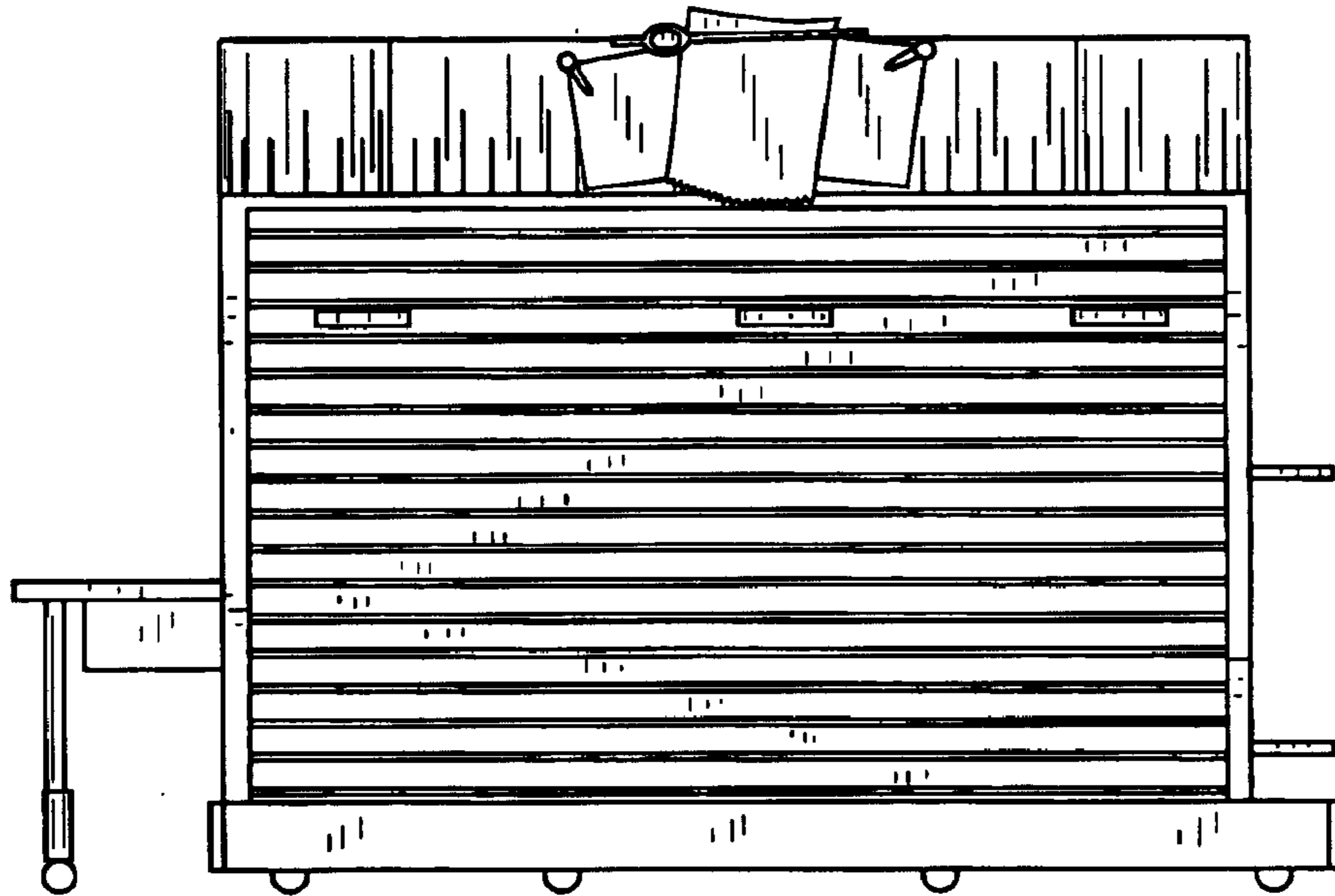


FIG. 3

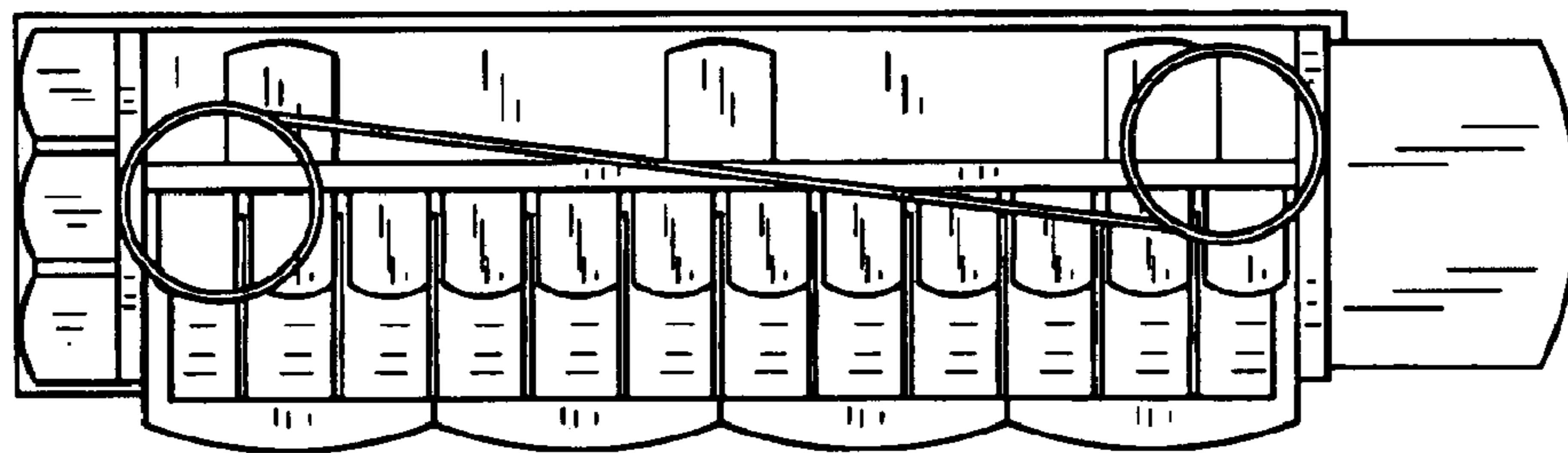


FIG. 4

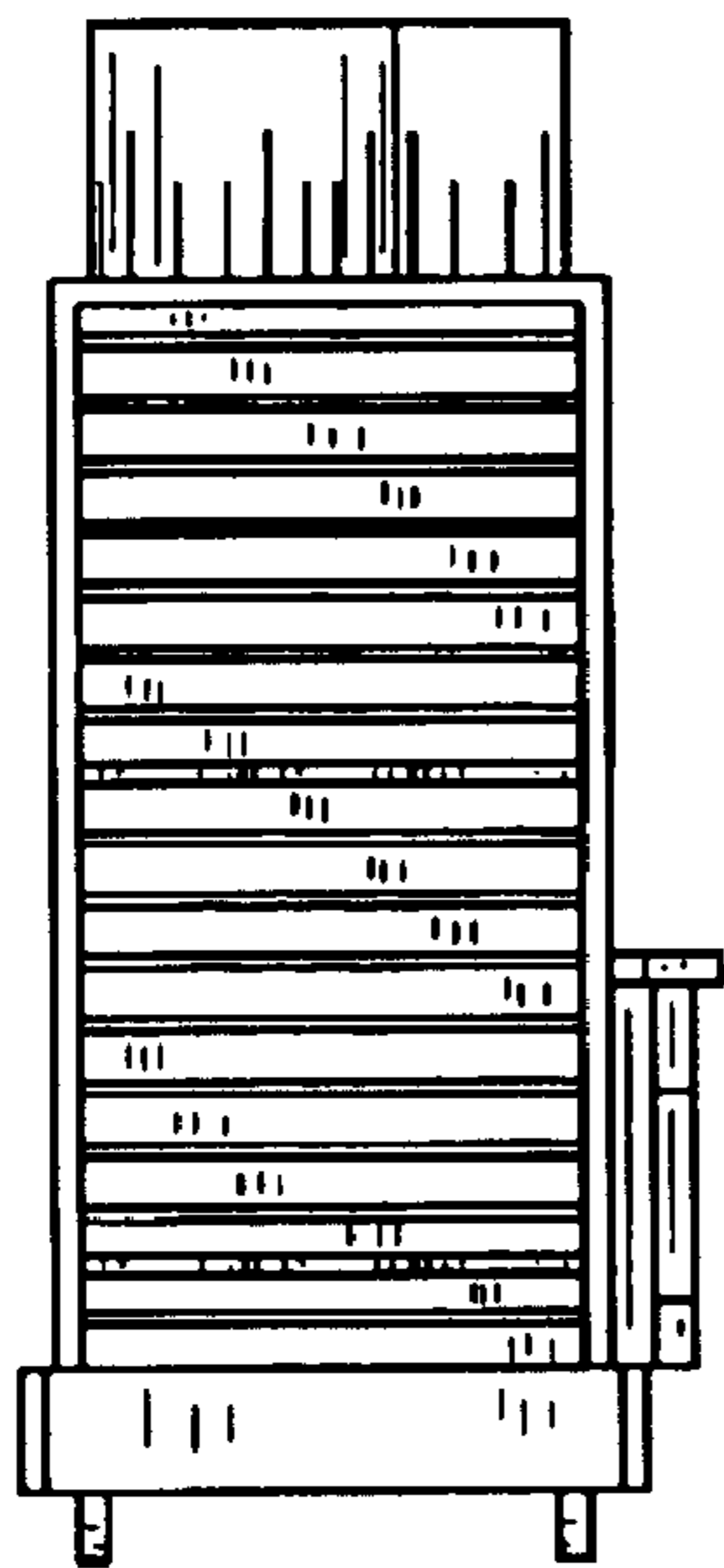


FIG. 5

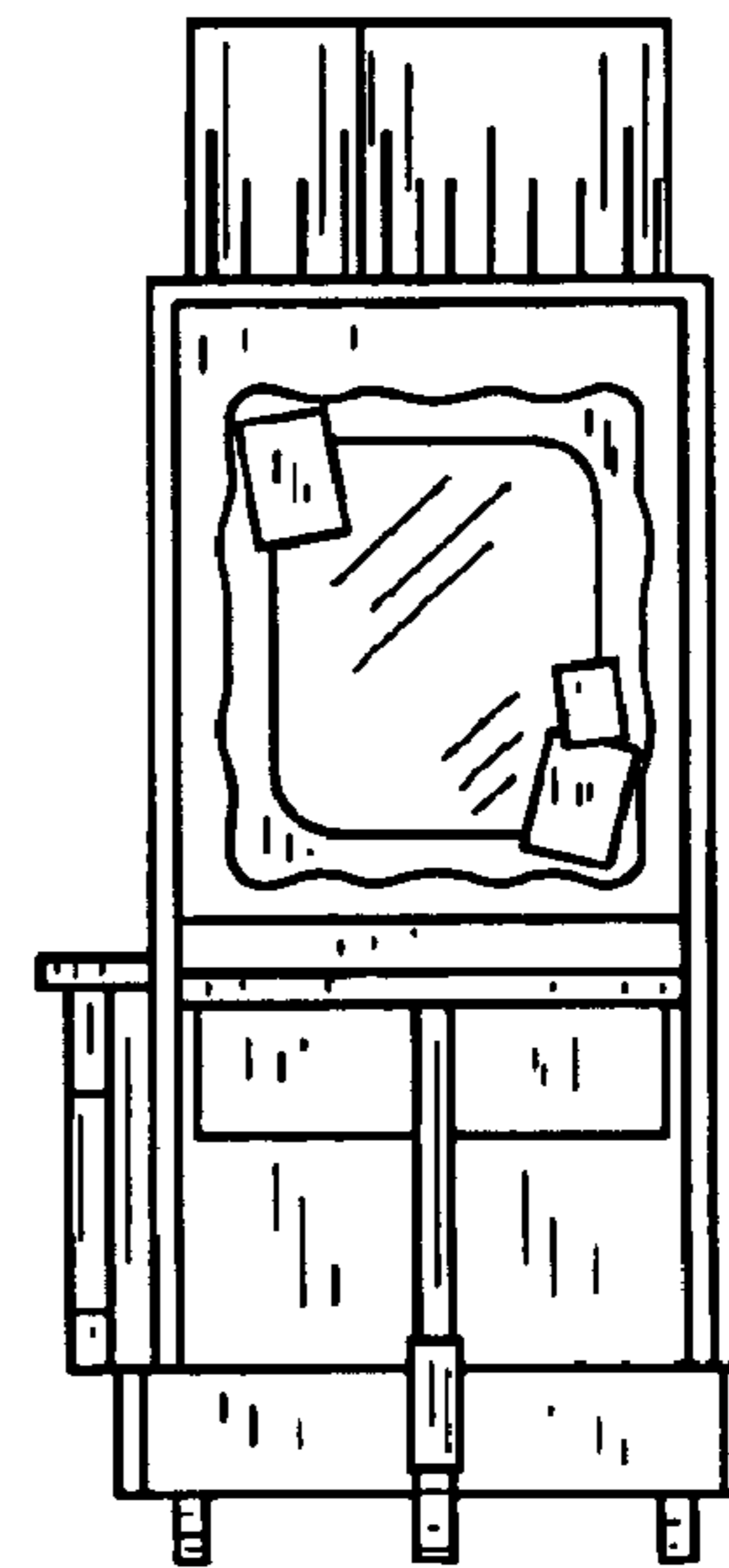


FIG. 6