



US00D511903S

(12) **United States Design Patent**
Schmitt

(10) **Patent No.:** **US D511,903 S**
(45) **Date of Patent:** **** Nov. 29, 2005**

- (54) **CHAIR**
- (75) **Inventor:** **Jack Schmitt**, San Juan Capistrano, CA (US)
- (73) **Assignee:** **Amini Innovation Corp.**, Pico Rivera, CA (US)
- (**) **Term:** **14 Years**
- (21) **Appl. No.:** **29/213,242**
- (22) **Filed:** **Sep. 14, 2004**
- (51) **LOC (8) Cl.** **06-01**
- (52) **U.S. Cl.** **D6/379; D6/380**
- (58) **Field of Search** **D6/334, 358, 374, D6/379, 380, 500, 501, 502; 297/445.1, 446.1**

- D448,943 S 10/2001 McDaniel et al.
- D448,944 S 10/2001 McDaniel et al.
- D451,694 S 12/2001 Vaaler
- D452,084 S 12/2001 O'Hare et al.
- D459,905 S * 7/2002 Stanton D6/379
- D459,906 S 7/2002 Stanton
- D464,822 S 10/2002 Vaaler
- D466,322 S 12/2002 Tobin, Jr.
- D468,923 S 1/2003 O'Hare
- D468,925 S 1/2003 Vaaler
- D469,267 S 1/2003 Stanton

(Continued)

OTHER PUBLICATIONS

Amini Innovation, Corp. Monte Carlo Collection, #53000 Series, 2001, 2 pages.
 Amini Innovation, Corp. La Francaise Collection, #50000 Series, Sep. 11, 2002, 5 pages.
 Amini Innovation, Corp. Royal Oak Collection, #31000 Series, Sep. 11, 2002, 1 page.
 Amini Innovation, Corp Villagio Chair, Oct. 16, 2002, 1 page.

Primary Examiner—Mimosa De
 (74) *Attorney, Agent, or Firm*—Cislo & Thomas LLP

(56) **References Cited**

U.S. PATENT DOCUMENTS

- D63,612 S * 12/1923 Chatfield D6/379
- D66,697 S 2/1925 McCargar
- D84,514 S 6/1931 Brown
- D88,663 S 12/1932 McLaurin
- D229,137 S * 11/1973 Chapin D6/369
- D229,596 S 12/1973 Fisher
- D233,094 S * 10/1974 Noda et al. D6/380
- D233,098 S * 10/1974 Katoda D6/380
- D233,099 S * 10/1974 Ohnishi D6/380
- D233,383 S * 10/1974 Ikeda D6/380
- D242,308 S 11/1976 Adkinon
- D258,102 S * 2/1981 Rocchia D6/358
- D327,989 S 7/1992 Hilton
- D351,511 S * 10/1994 Ferguson D6/379
- D364,046 S 11/1995 Keller
- D369,919 S 5/1996 Lenger
- D383,617 S 9/1997 Estape et al.
- D384,826 S 10/1997 Hutton
- D410,803 S 6/1999 Kreiss
- D430,418 S * 9/2000 O'Hare D6/379
- D441,558 S 5/2001 Vaaler
- D441,975 S 5/2001 McDaniel et al.
- D445,583 S 7/2001 O'Hare et al.
- D445,584 S 7/2001 O'Hare et al.

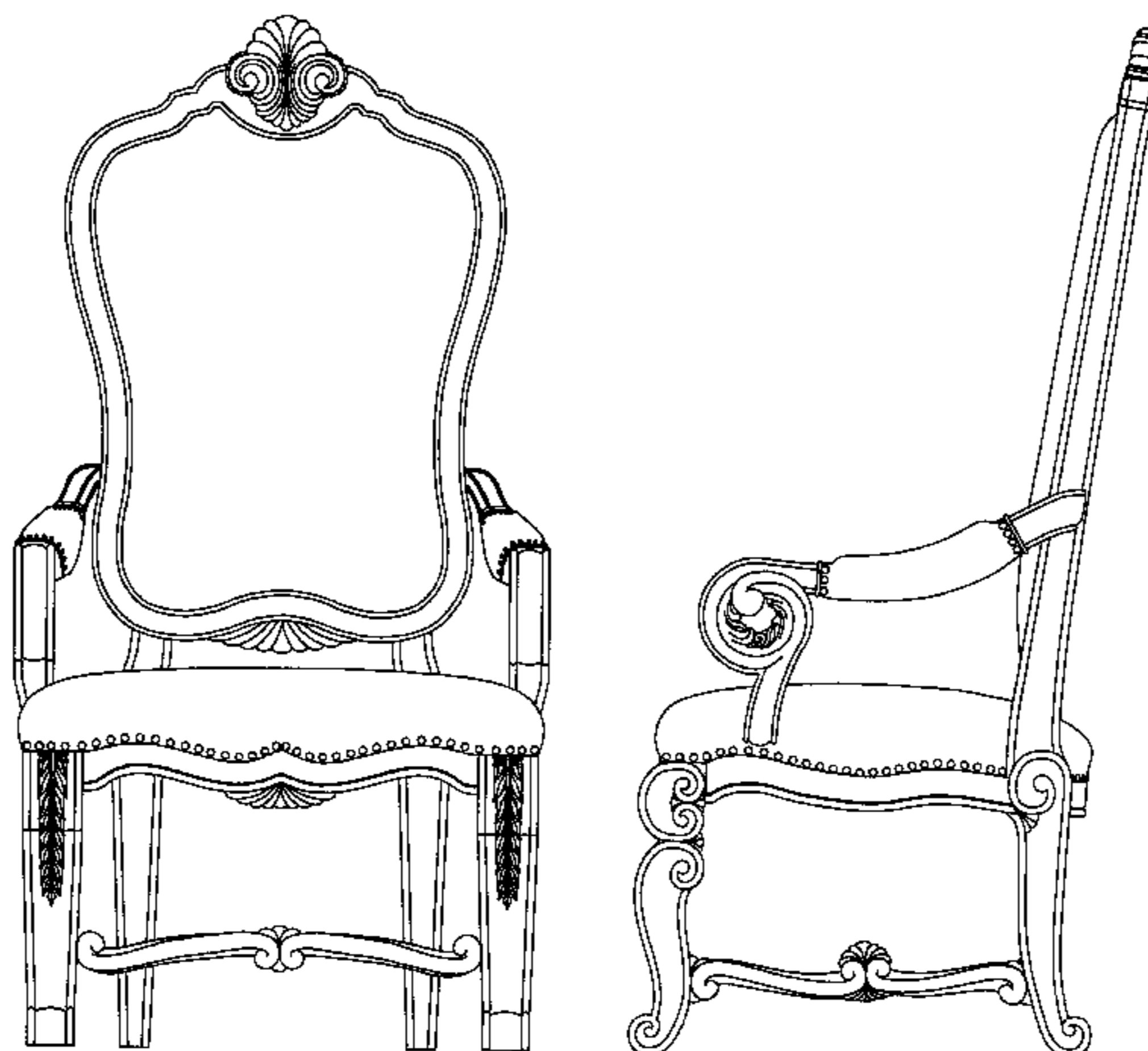
(57) **CLAIM**

I claim the ornamental design for the article chair, as shown and described.

DESCRIPTION

FIG. 1 is a front elevational view of a chair embodying my new design;
 FIG. 2 is a right-side elevational view thereof;
 FIG. 3 is a left-side elevational view thereof;
 FIG. 4 is a top plan view thereof;
 FIG. 5 is a rear elevational view thereof; and,
 FIG. 6 is a front elevation detail of the upper left leg thereof illustrating the ornamentation thereon in enlarged detail, the right side being a mirror image thereof.
 The remainder of the chair has not been shown in FIG. 6 for ease of illustration.

1 Claim, 6 Drawing Sheets



US D511,903 S

Page 2

U.S. PATENT DOCUMENTS

D472,724 S	4/2003	Schmitt		D481,881 S	11/2003	McDaniel et al.	
D473,392 S	4/2003	Vaaler		D487,991 S	4/2004	O'Hare	
D479,658 S	* 9/2003	Warren et al. D6/379	D489,913 S	5/2004	Wanek et al.	
D480,576 S	10/2003	Schmitt		D492,853 S	7/2004	Schmitt	
D481,875 S	* 11/2003	Darafeev D6/360	D498,093 S	* 11/2004	Darafeev D6/500

* cited by examiner

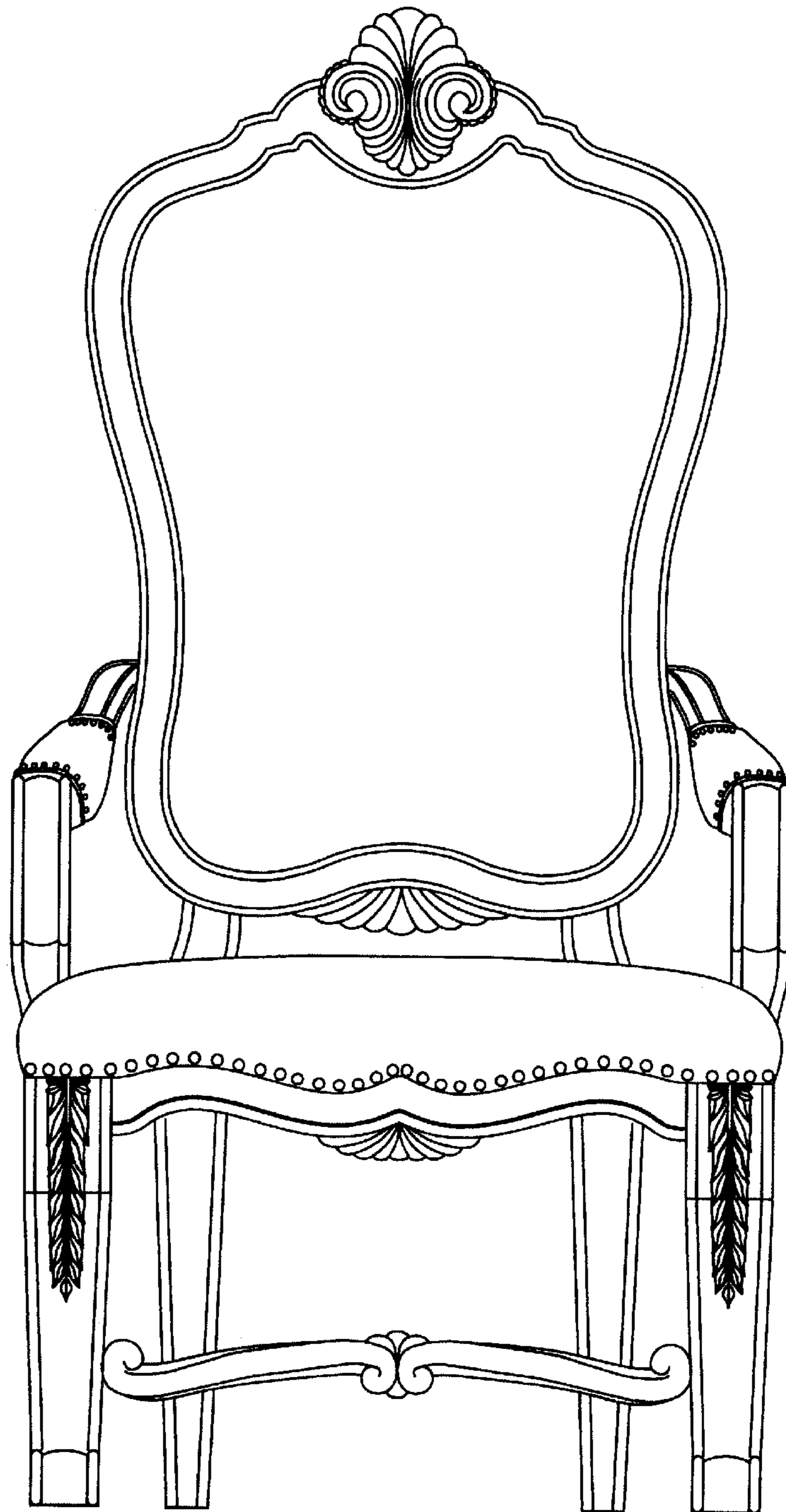


FIG. 1

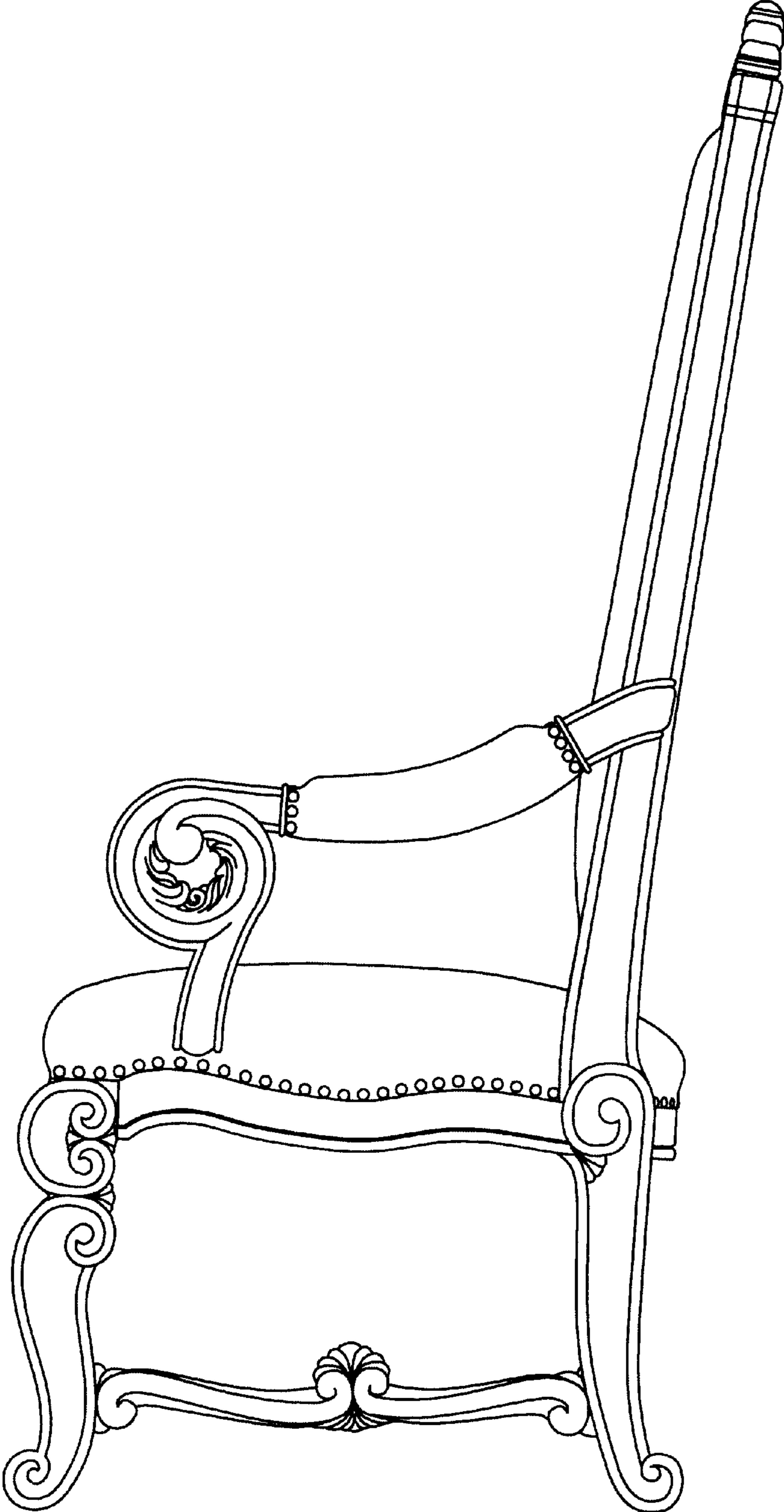


FIG. 2

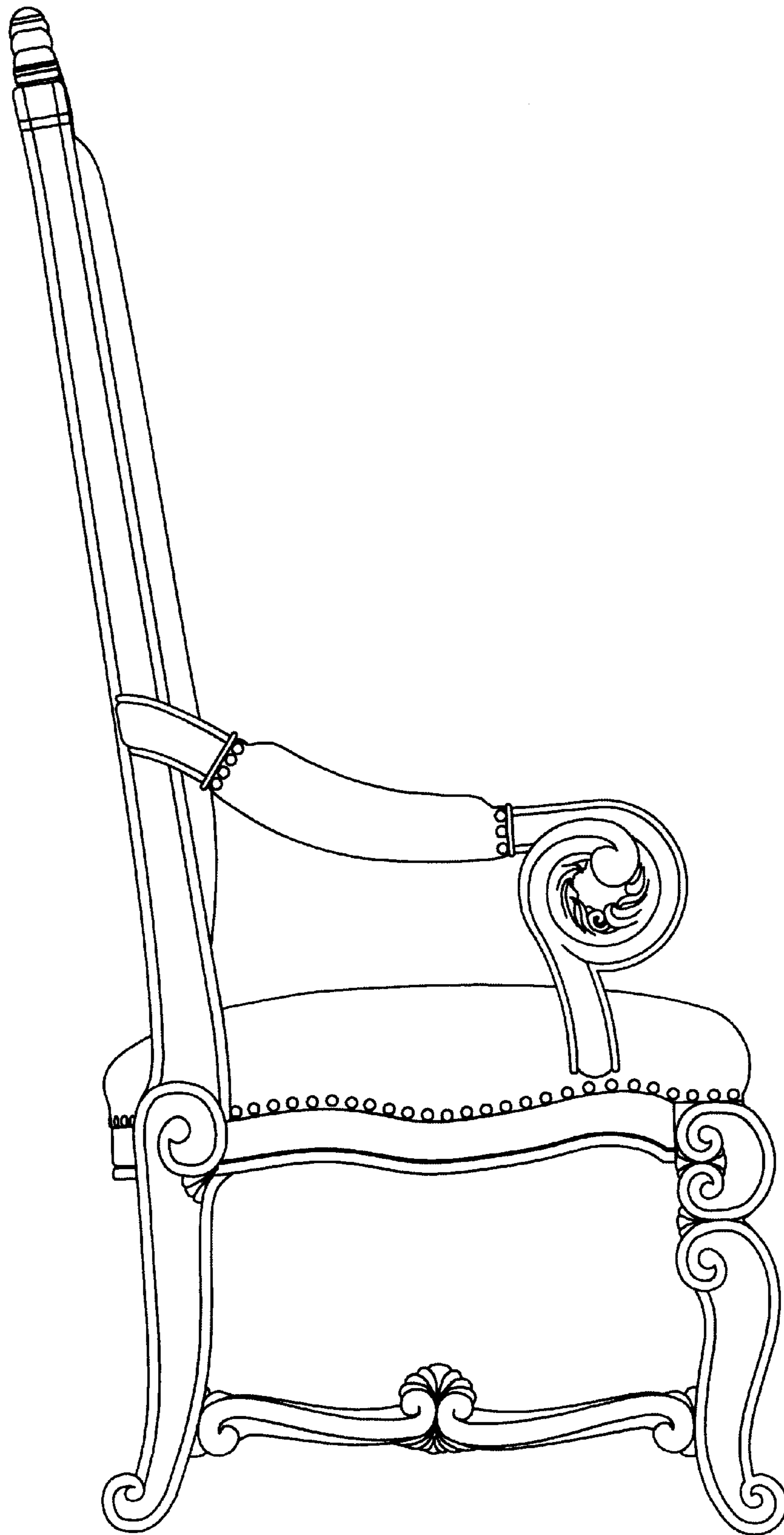


FIG. 3

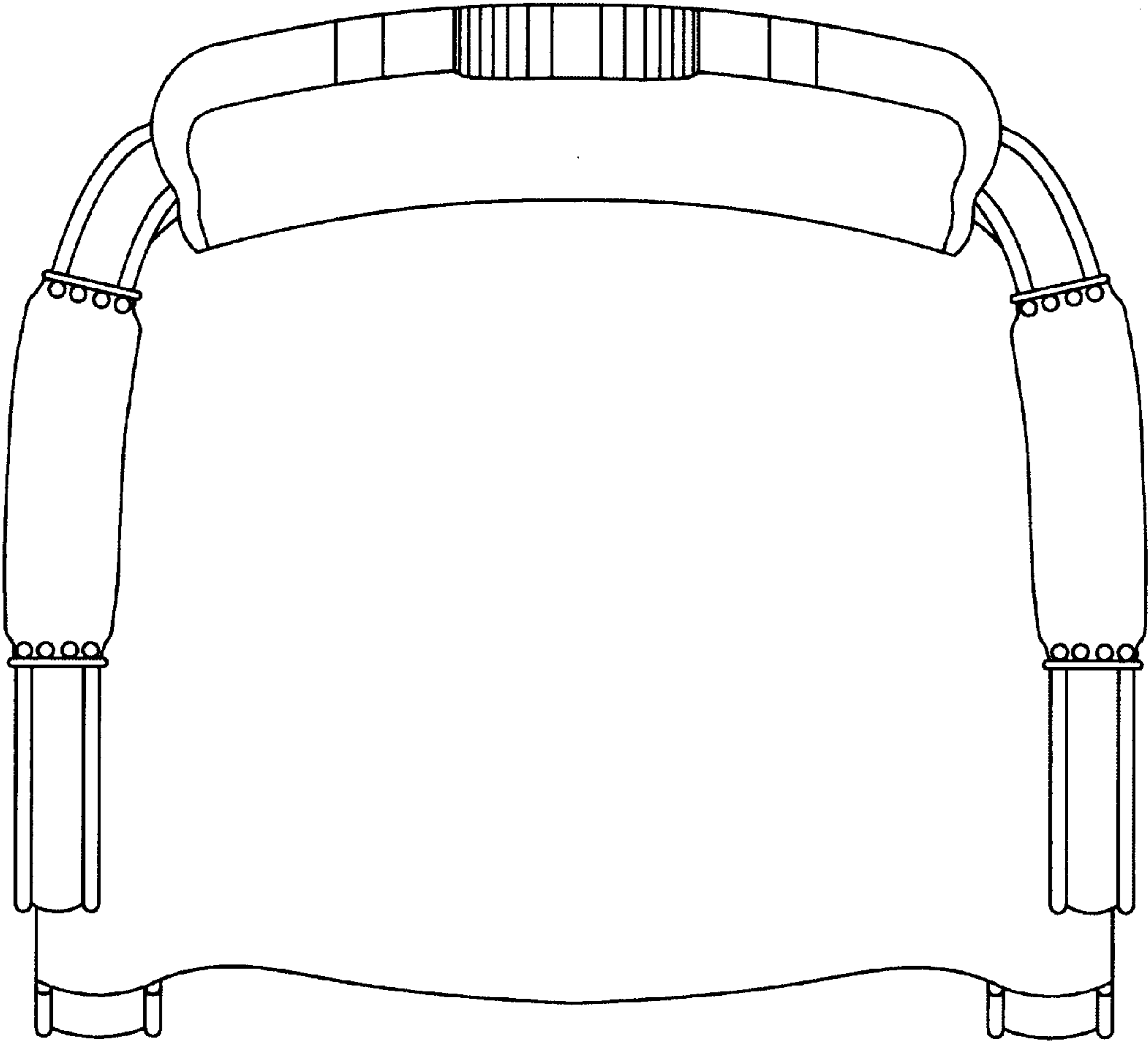


FIG. 4

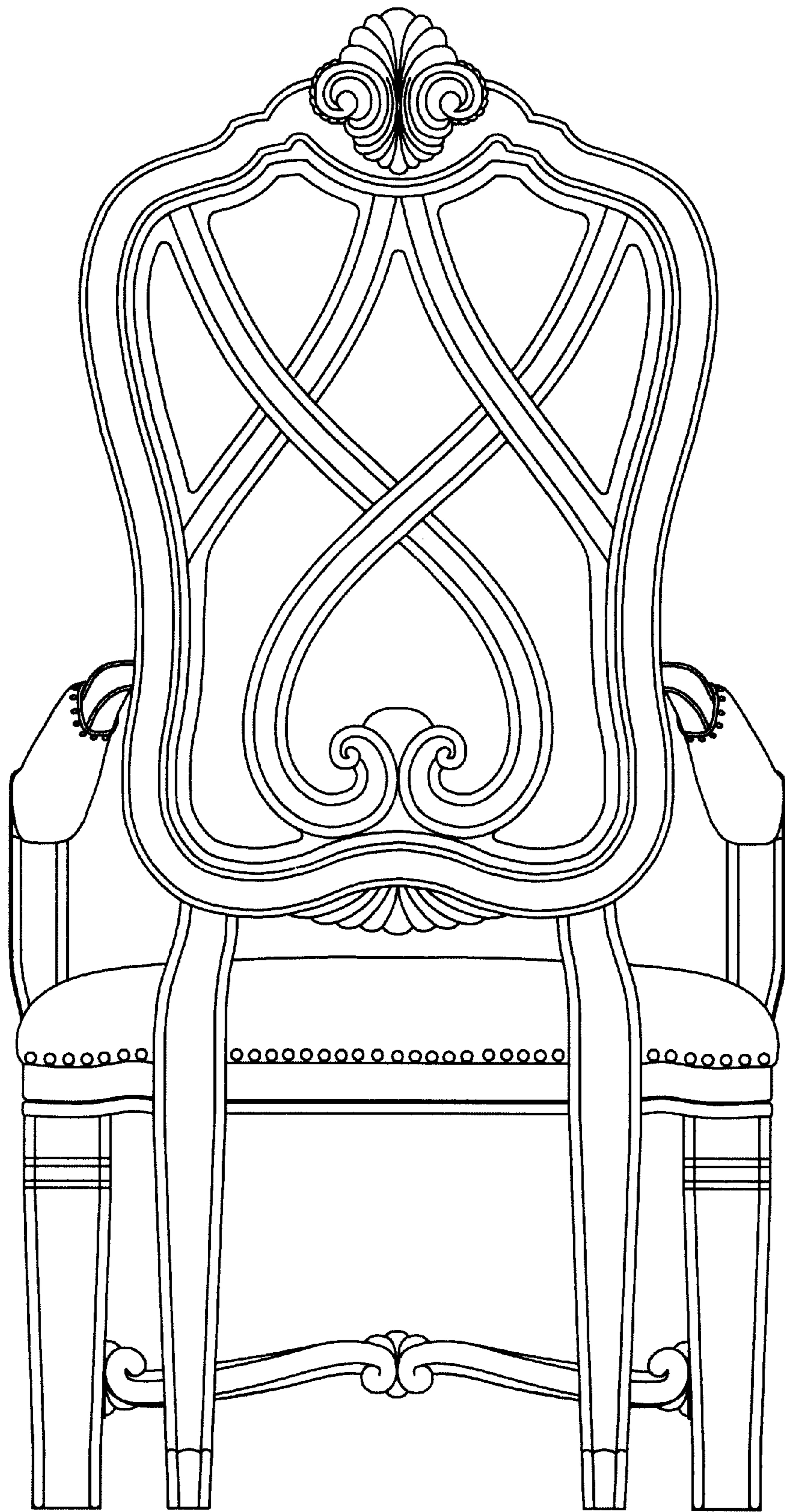


FIG. 5

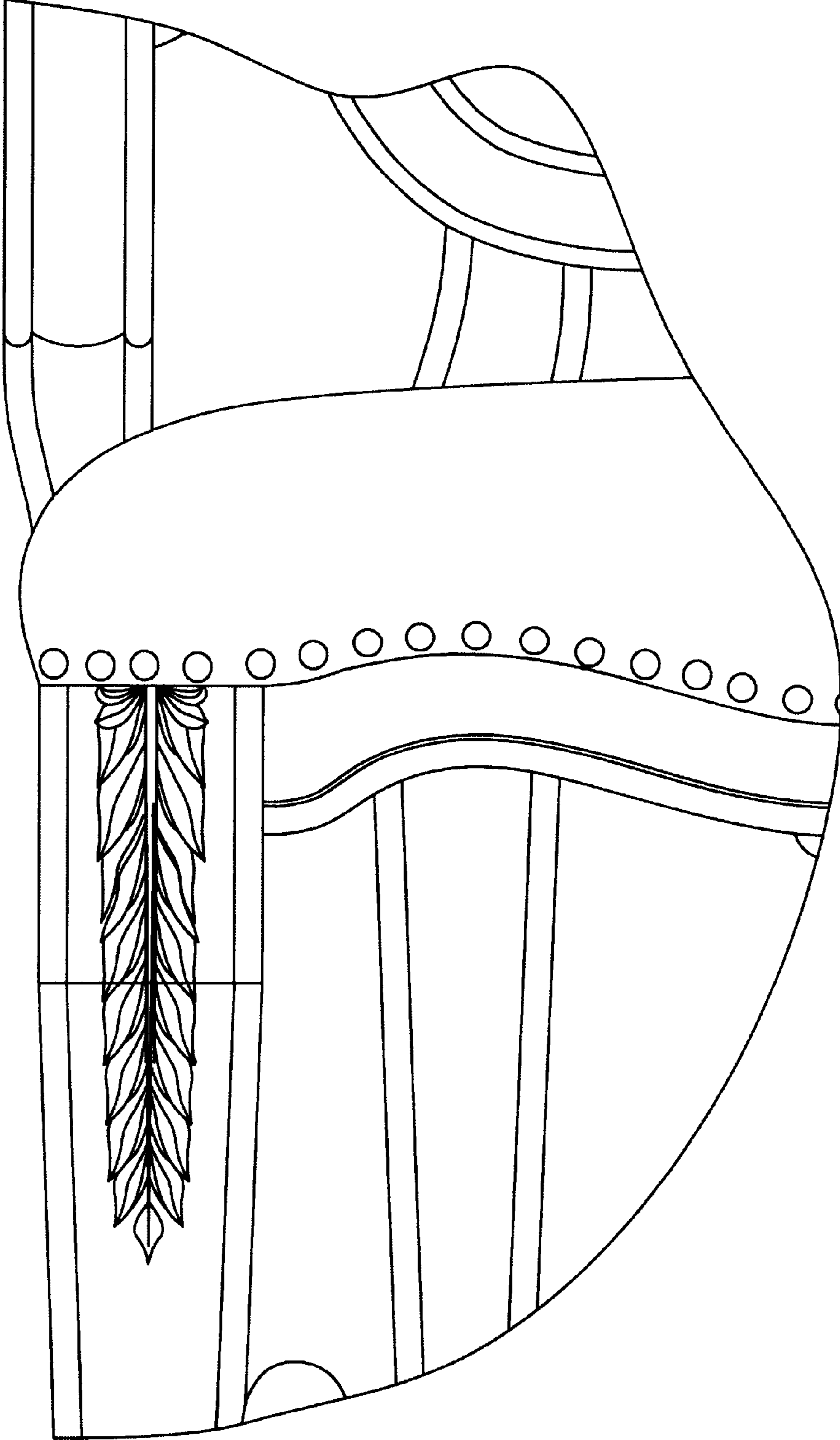


FIG. 6