



US00D511902S

(12) **United States Design Patent**
Mills

(10) **Patent No.:** **US D511,902 S**

(45) **Date of Patent:** **** Nov. 29, 2005**

(54) **DOUBLE CHAIR**

(75) Inventor: **Bart Mills**, Alpharetta, GA (US)

(73) Assignee: **Back Lot Productions, Inc.**, Atlanta, GA (US)

(**) Term: **14 Years**

(21) Appl. No.: **29/216,418**

(22) Filed: **Nov. 2, 2004**

(51) **LOC (8) Cl.** **06-01**

(52) **U.S. Cl.** **D6/370; D6/381**

(58) **Field of Search** D6/334, 335, 367,
D6/368, 370, 374, 375, 379, 380, 381,
500-502; 297/31, 35, 377, 411.43, 423.21,
445.1, 452.63

(56) **References Cited**

U.S. PATENT DOCUMENTS

D66,525 S	*	1/1925	Wurdack et al.	D6/374
D68,027 S	*	8/1925	Wurdack	D6/370
D70,495 S	*	6/1926	Wurdack	D6/370
D78,926 S	*	7/1929	Gottlob	D6/370
D84,585 S	*	7/1931	Ledder et al.	D6/370
D84,602 S	*	7/1931	Seidel	D6/370
D109,239 S	*	4/1938	Wolpin	D6/370
2,118,676 A	*	5/1938	Lankton	297/452.63
2,222,296 A	*	11/1940	Luiken	297/31
2,490,884 A	*	12/1949	Rau	297/31
2,600,626 A	*	6/1952	Ellingson	297/31
4,635,998 A	*	1/1987	Hickey	297/31
4,707,023 A	*	11/1987	Hickey	297/31
D295,927 S	*	5/1988	Hickey	D6/370
4,976,492 A	*	12/1990	Ziegler	297/31
D319,354 S	*	8/1991	Wolcott	D6/370
5,120,071 A	*	6/1992	Thibault et al.	297/423.21
D350,860 S	*	9/1994	Greeson	D6/370
5,366,273 A	*	11/1994	Bresch	297/316
D371,466 S	*	7/1996	Boisson	D6/370
D399,071 S	*	10/1998	Noll	D6/370
5,911,469 A	*	6/1999	Young	297/31

D413,736 S	*	9/1999	Jackson	D6/367
6,003,946 A	*	12/1999	Jackson	297/377

* cited by examiner

Primary Examiner—Mimosa De

(74) *Attorney, Agent, or Firm*—Sami O. Malas

(57) **CLAIM**

The ornamental design for a double chair, as shown and described.

DESCRIPTION

FIG. 1 is a perspective view of a first embodiment thereof; FIG. 2 is a slightly reduced front elevation view of the embodiment shown in FIG. 1;

FIG. 3 is a slightly reduced rear elevation view of the embodiment shown in FIG. 1;

FIG. 4. is a top plane view of the embodiment shown in FIG. 1;

FIG. 5. is a bottom plane view of the embodiment shown in FIG. 1;

FIG. 6 is a left side elevation view of the embodiment shown in FIG. 1;

FIG. 7 is a right side elevation view of the embodiment shown in FIG. 1;

FIG. 8 is a perspective view of a second embodiment thereof;

FIG. 9 is a slightly reduced front elevation view of the embodiment shown in FIG. 8;

FIG. 10 is a slightly reduced rear elevation view of the embodiment shown in FIG. 8;

FIG. 11. is a top plane view of the embodiment shown in FIG. 8;

FIG. 12. is a bottom plane view of the embodiment shown in FIG. 8;

FIG. 13 is a left side elevation view of the embodiment shown in FIG. 8; and,

FIG. 14 is a right side elevation view of the embodiment shown in FIG. 8.

1 Claim, 8 Drawing Sheets

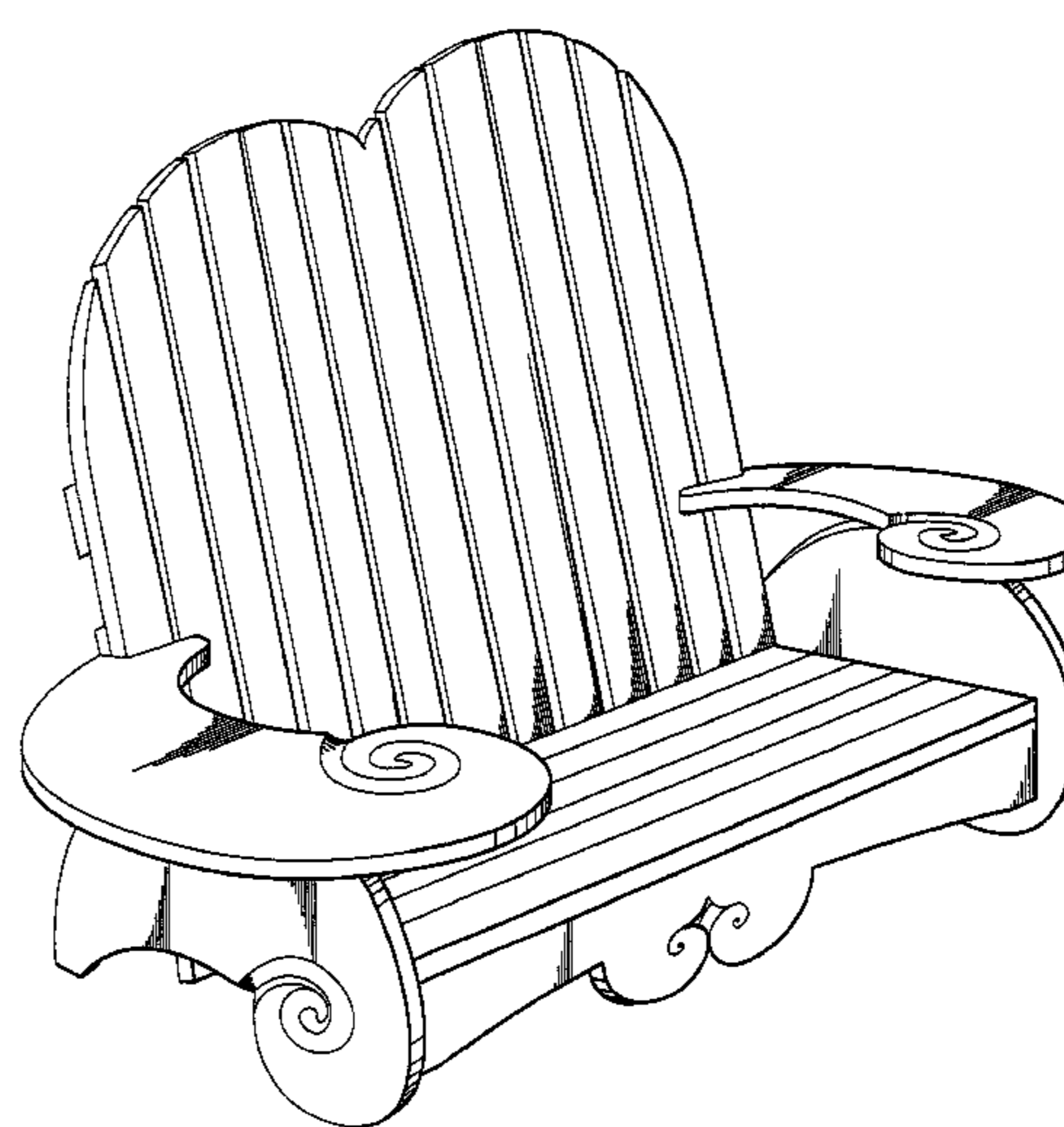
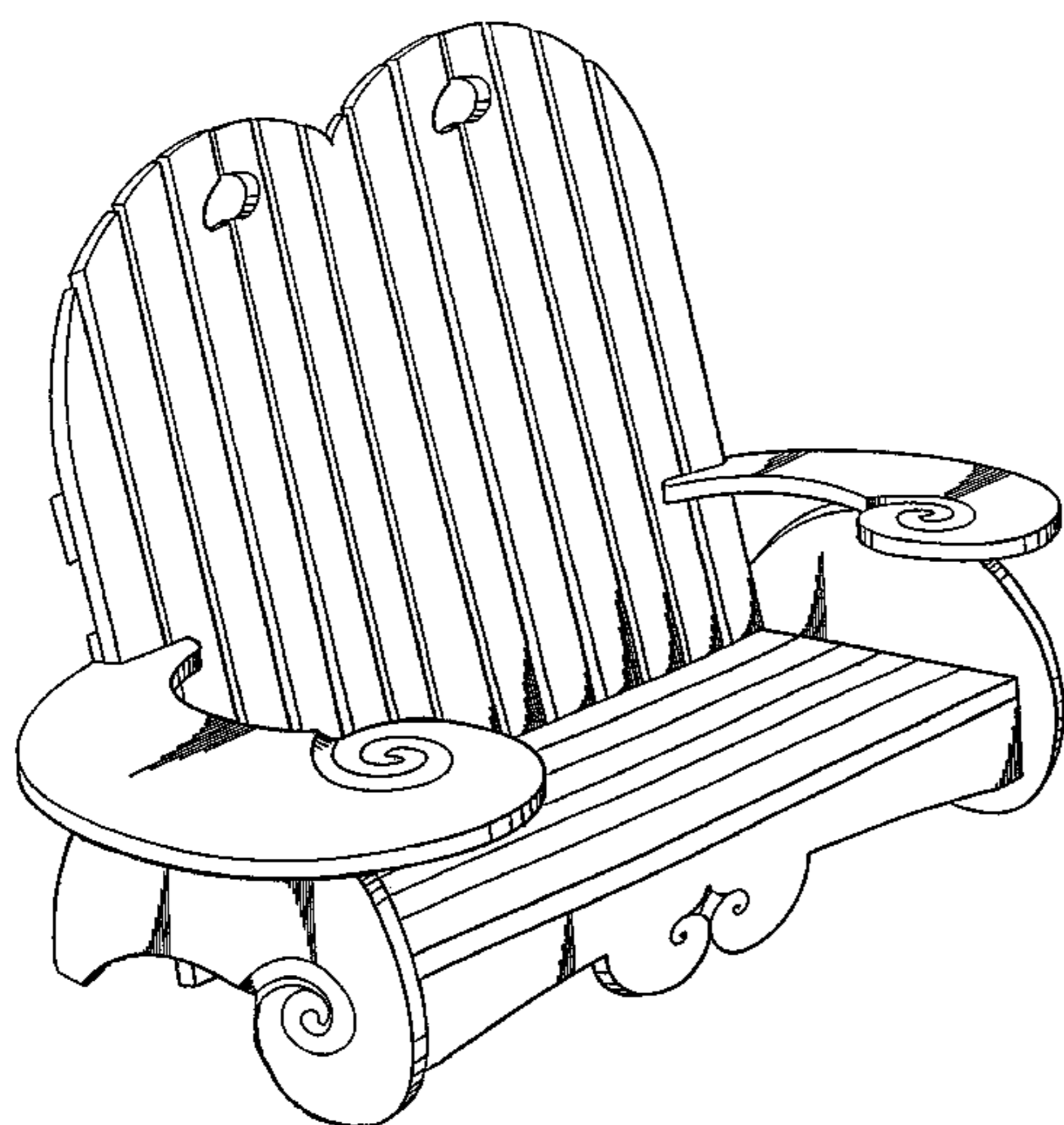


FIG. 1

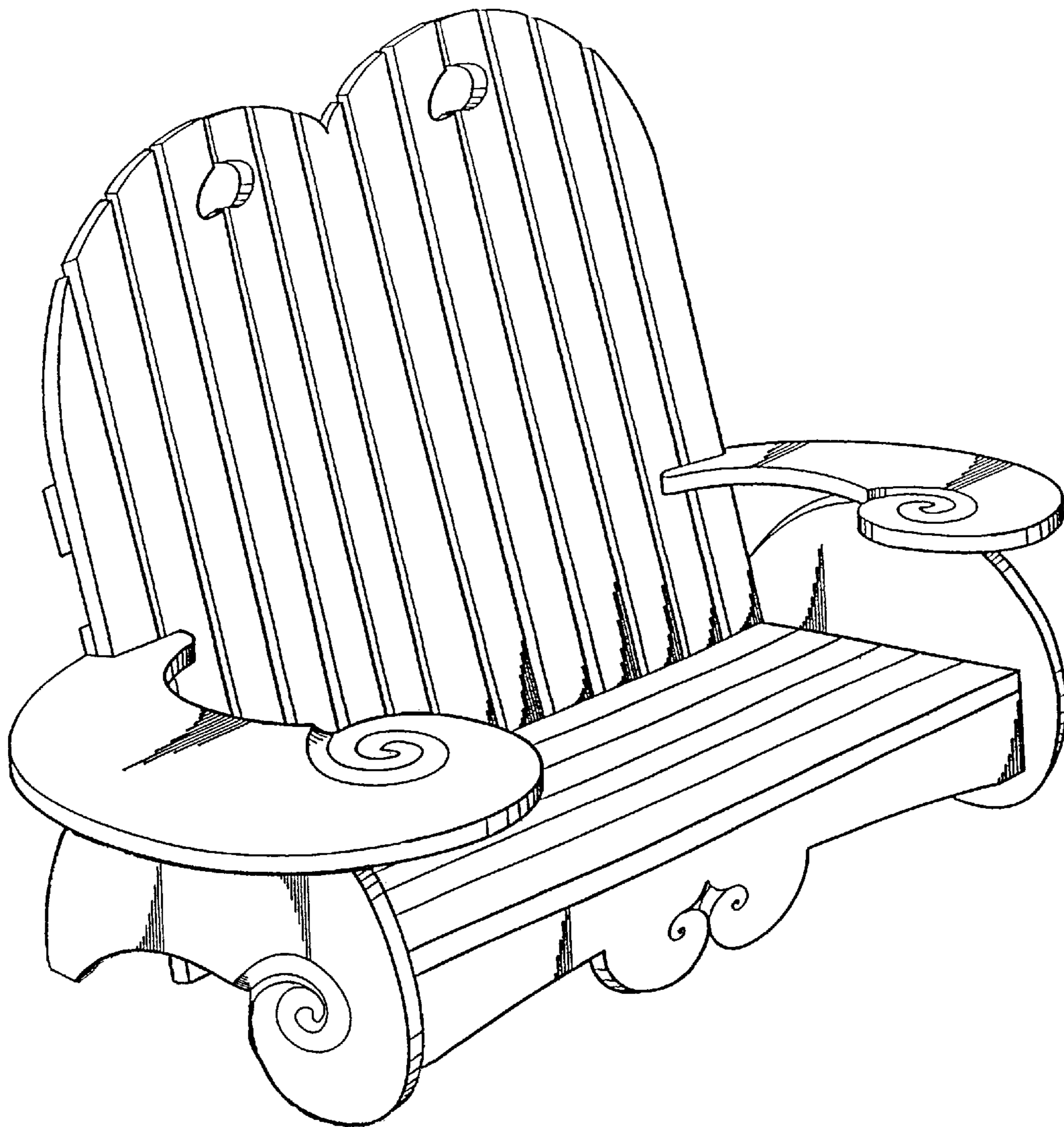


FIG. 2

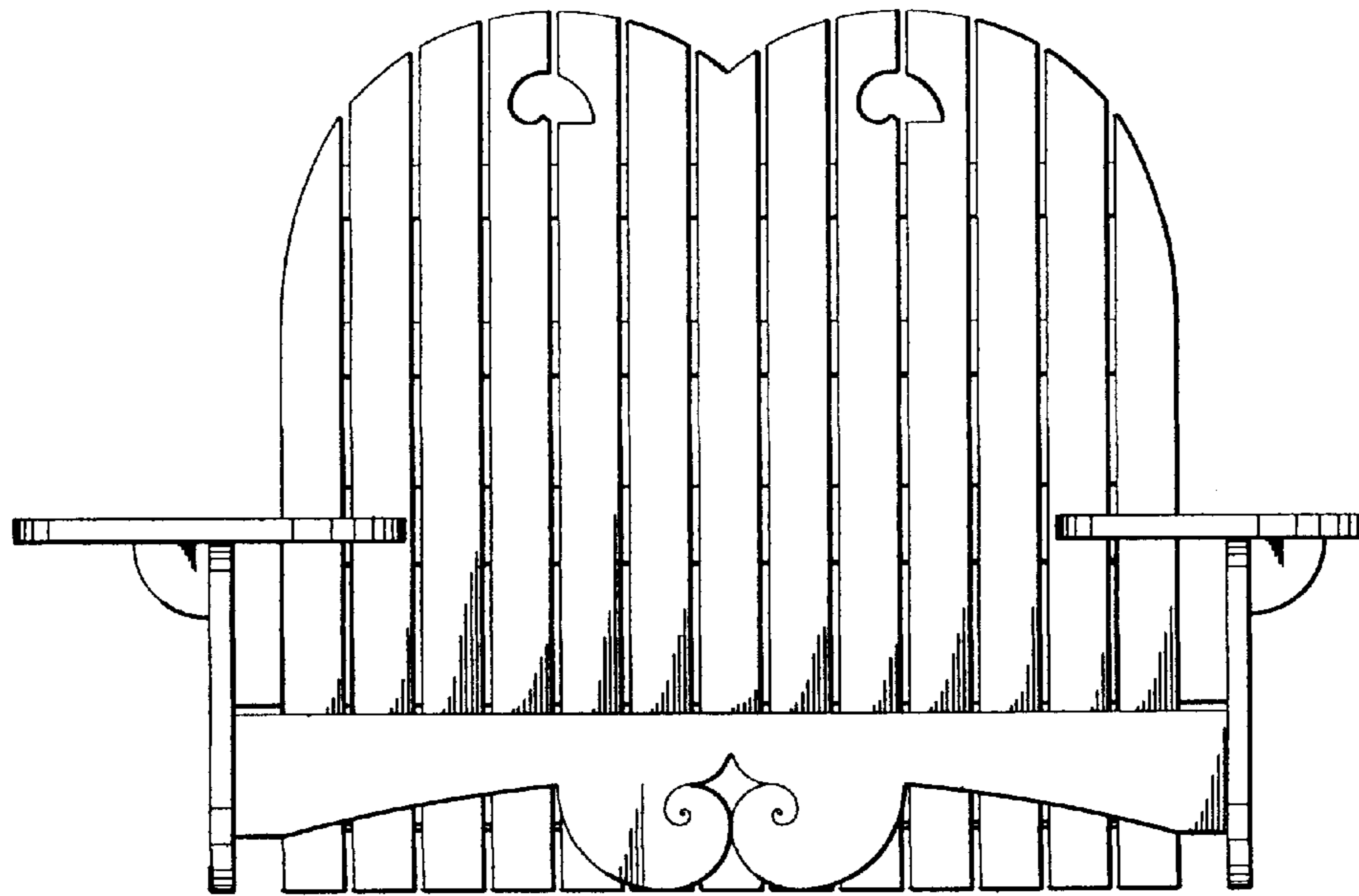


FIG. 3

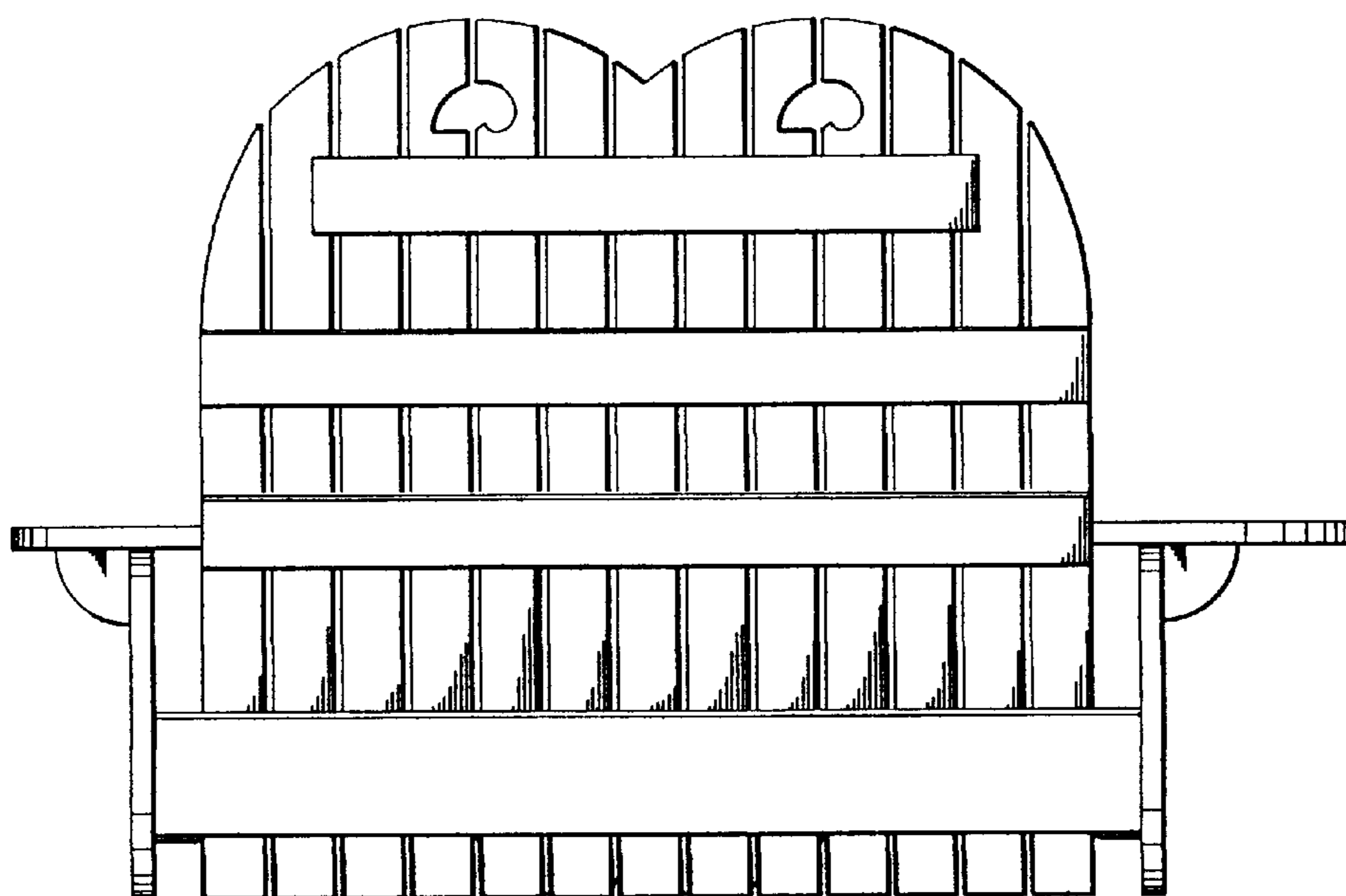


FIG. 4

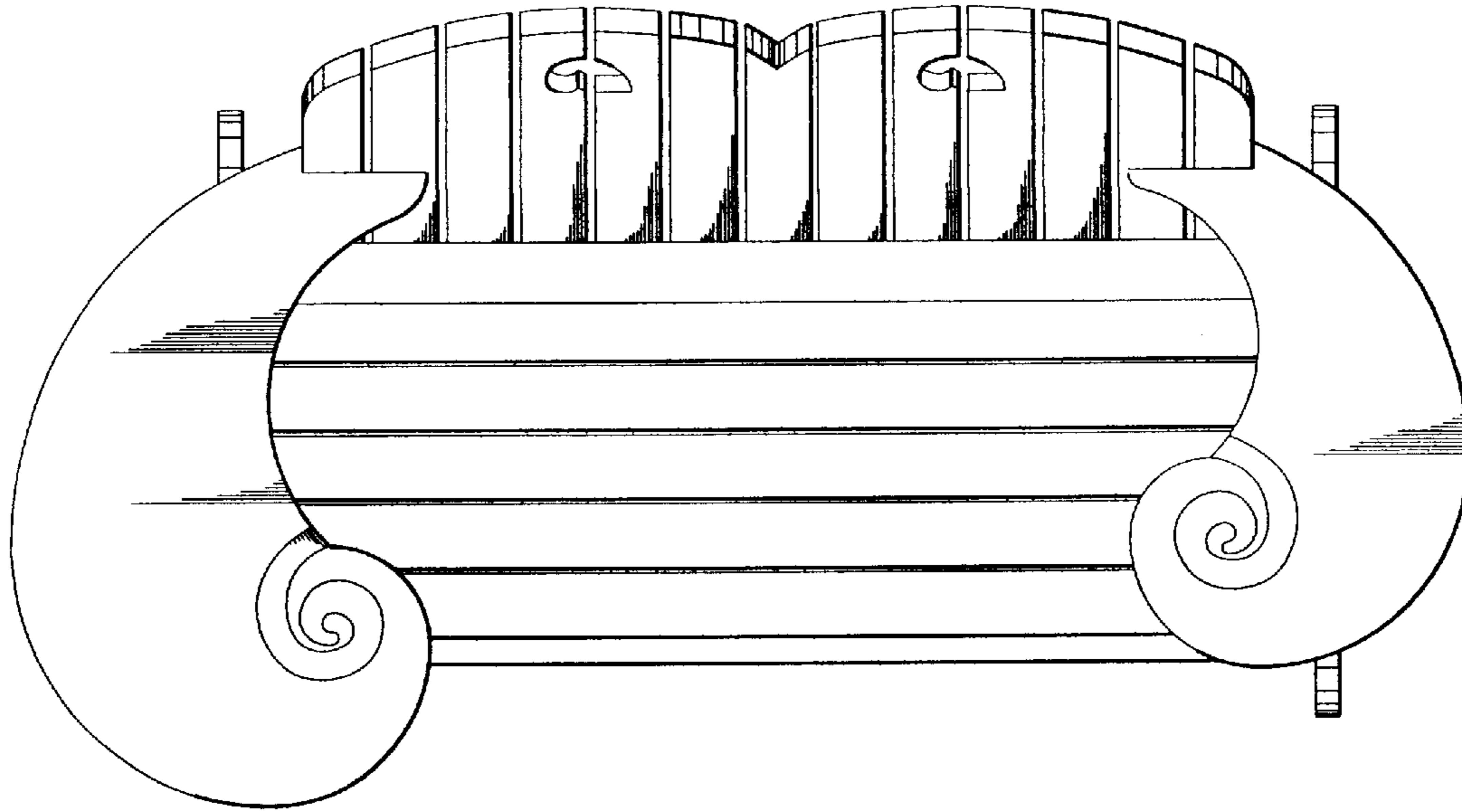


FIG. 5

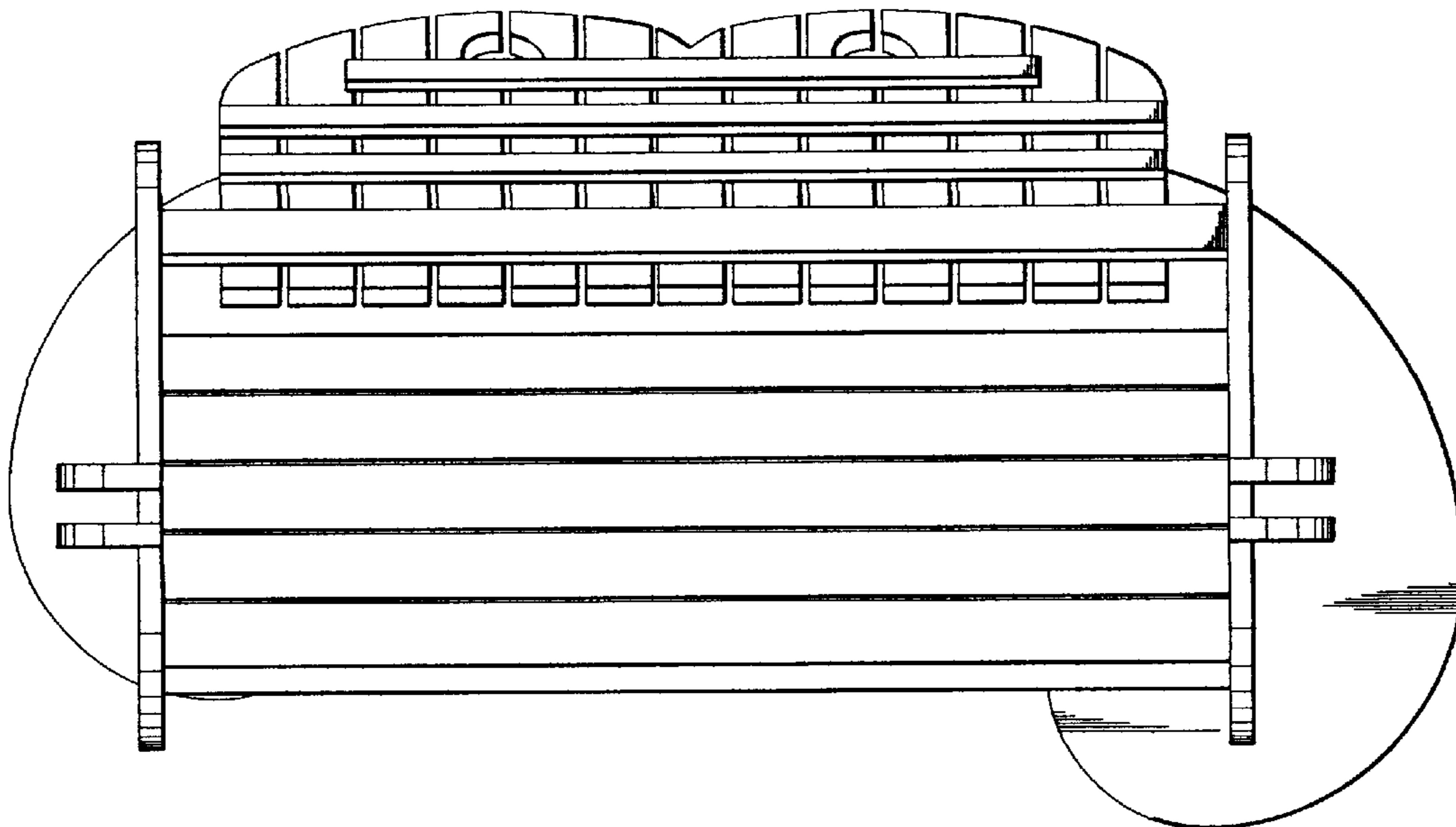


FIG. 6

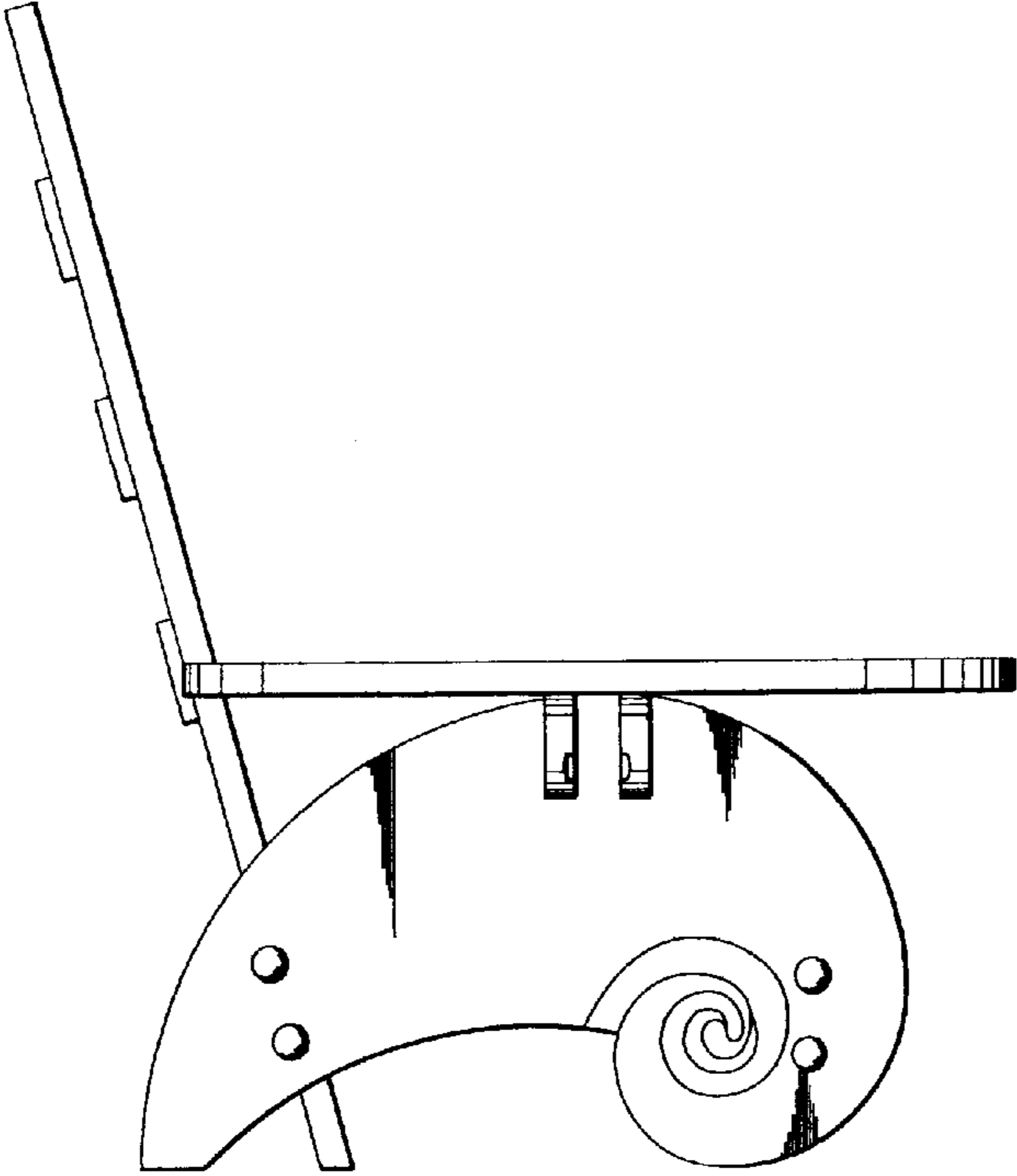


FIG. 7

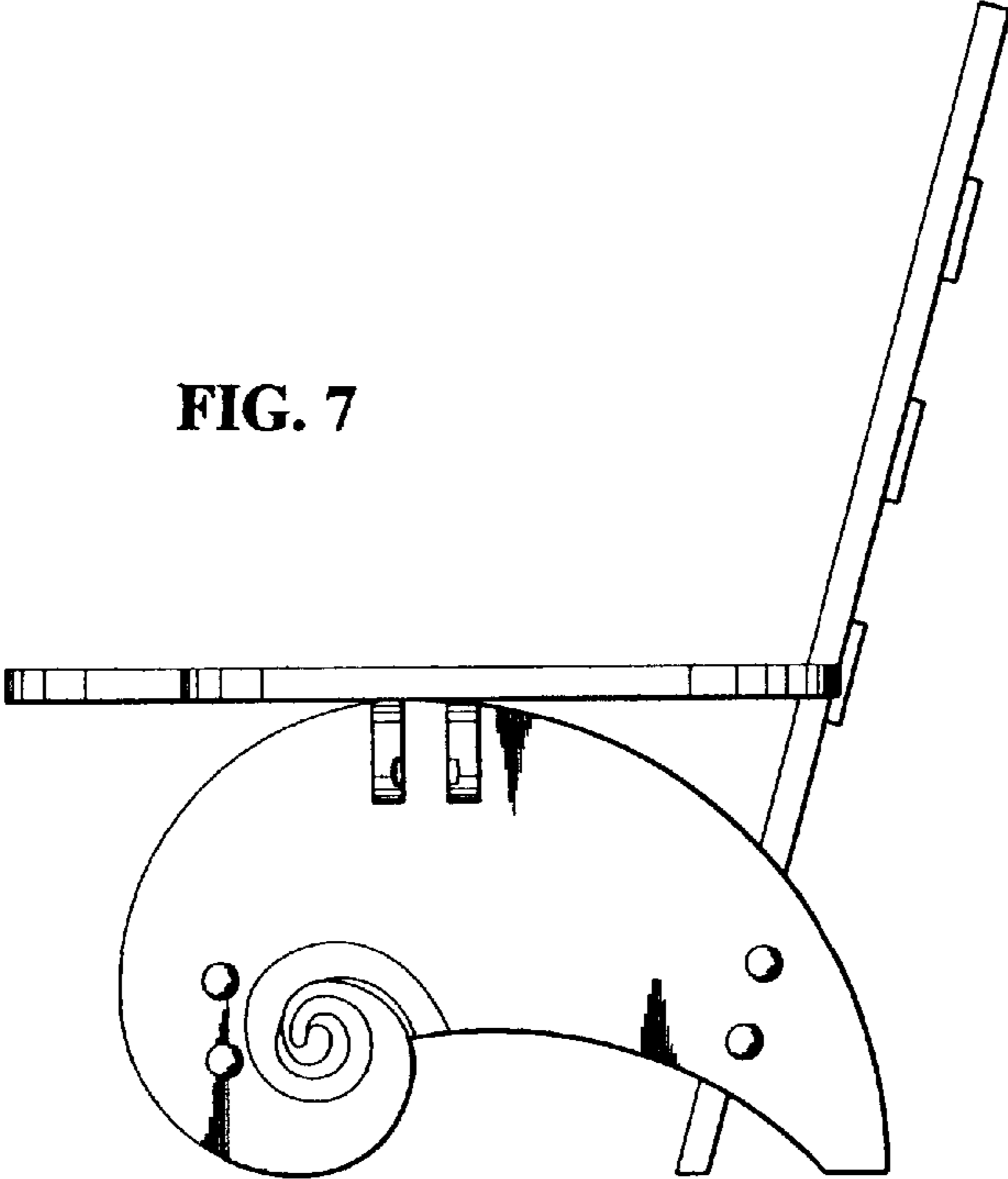


Fig. 8

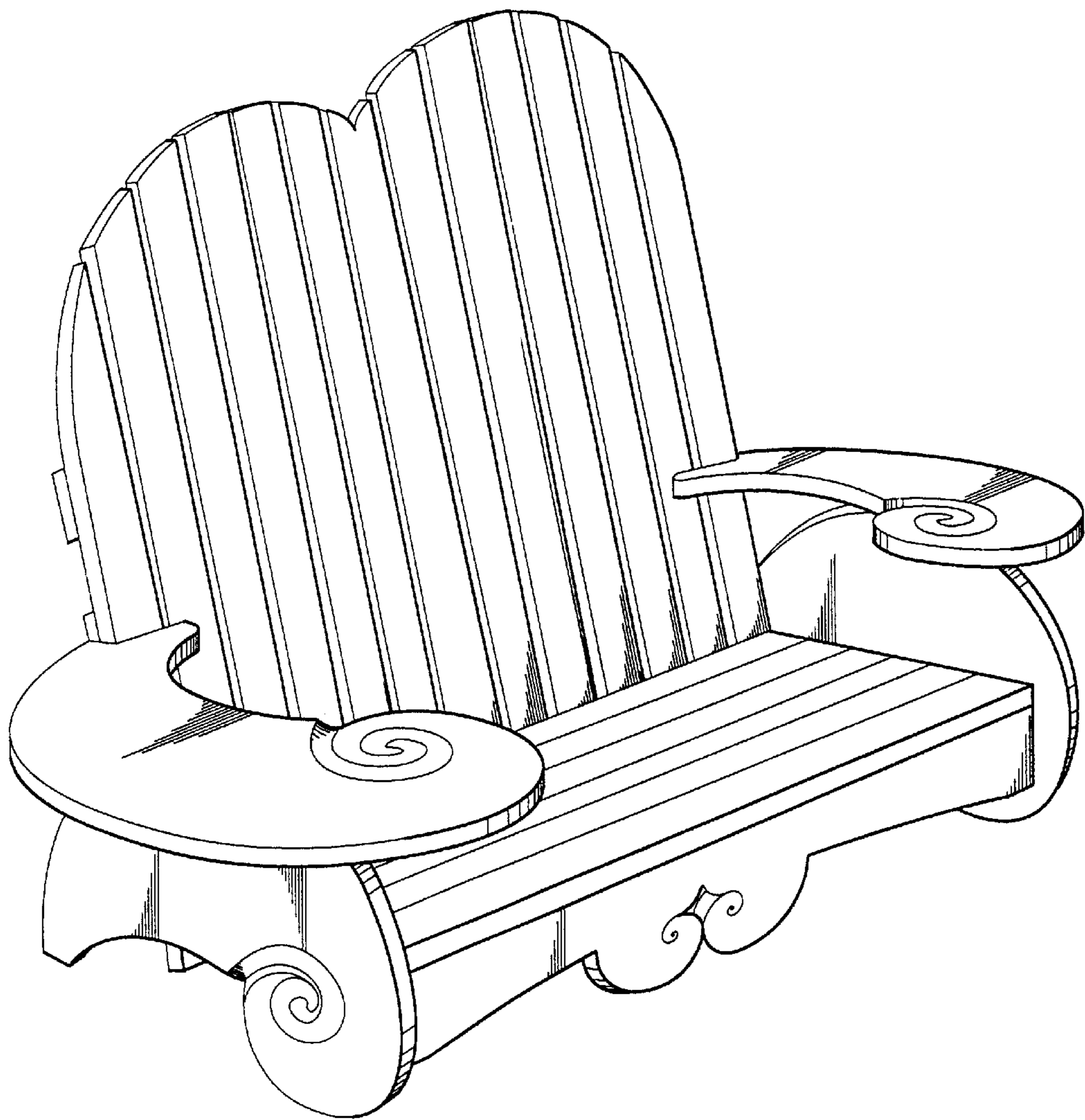


FIG. 9

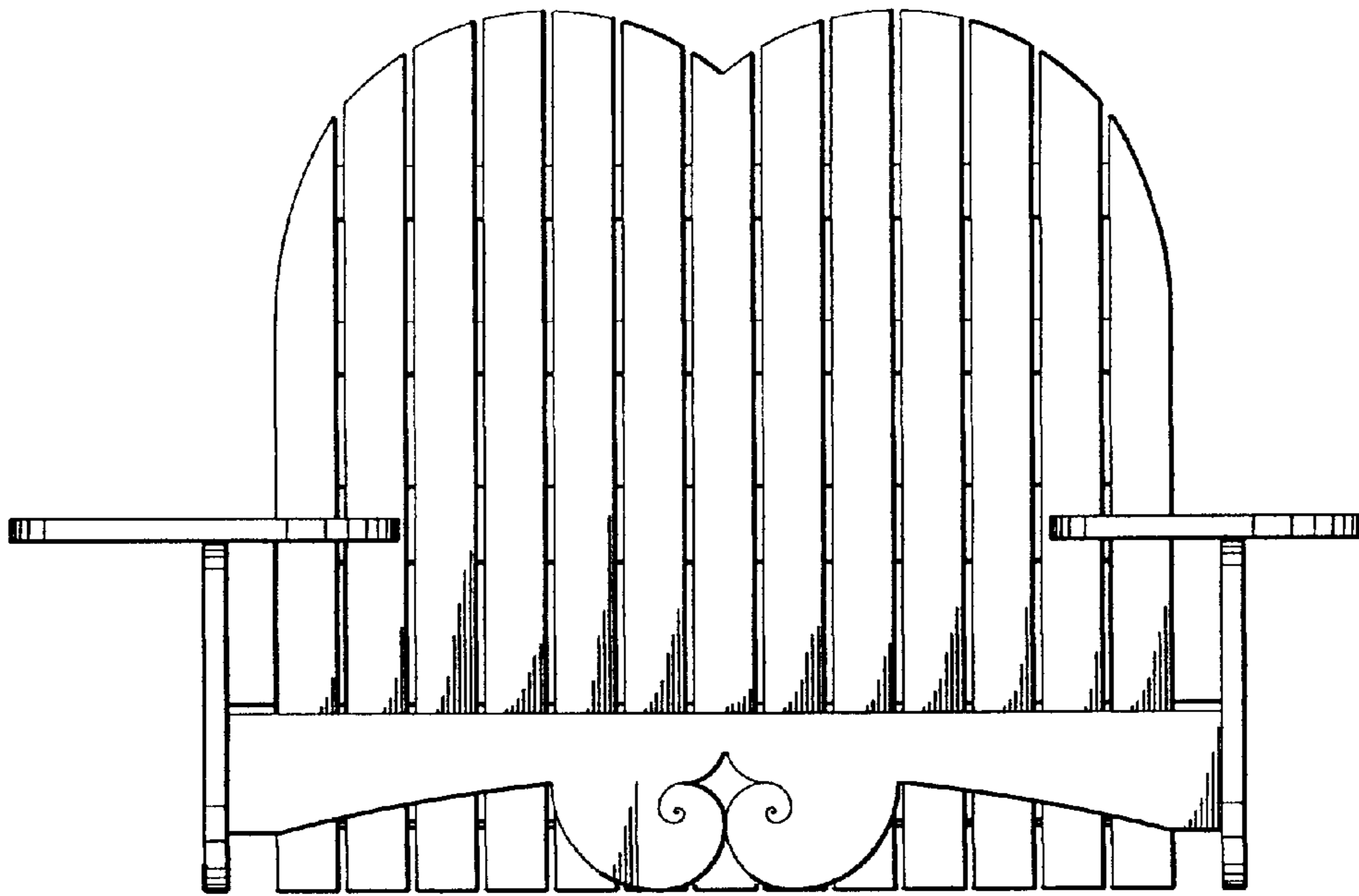


FIG. 10

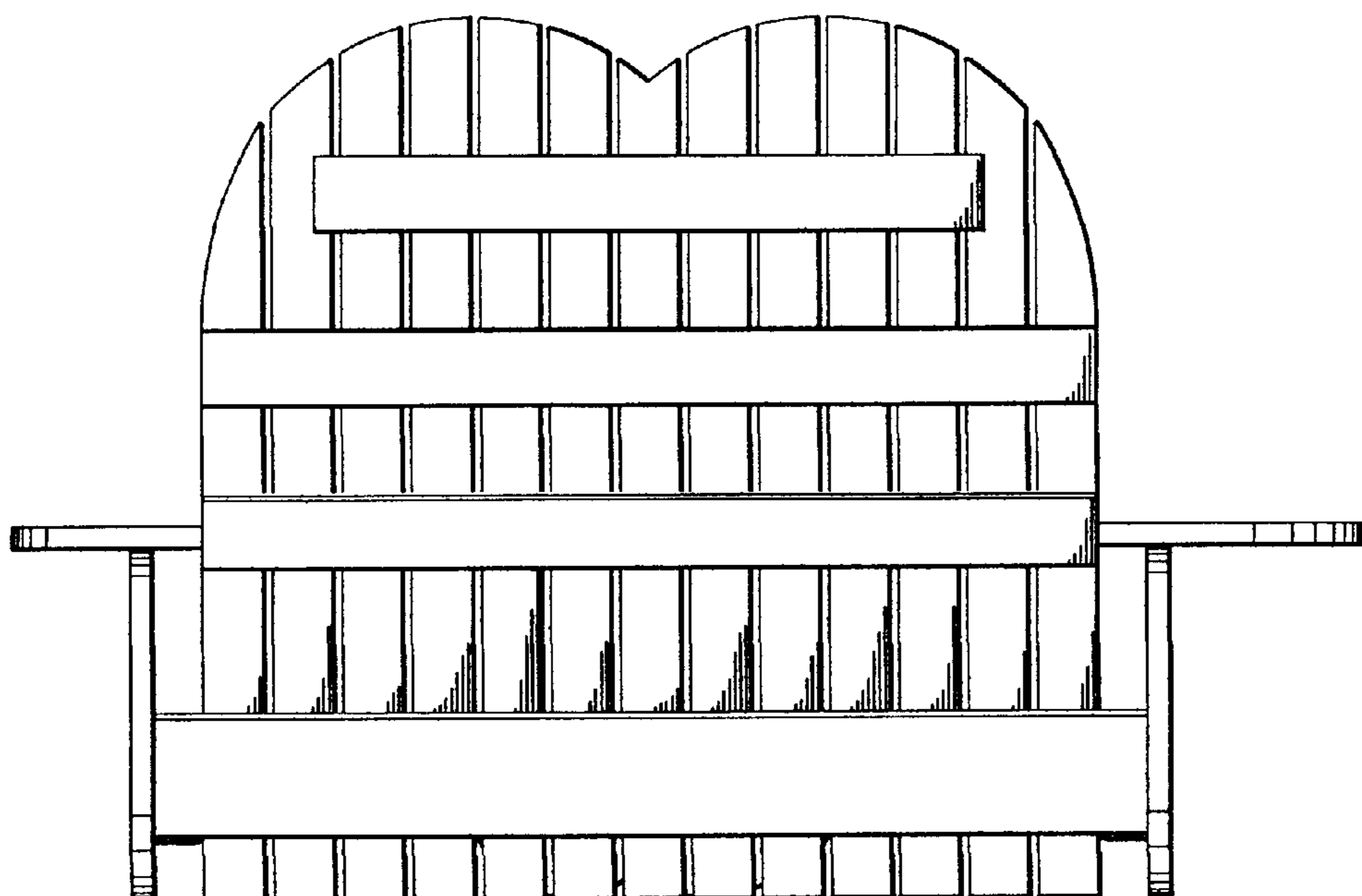


FIG. 11

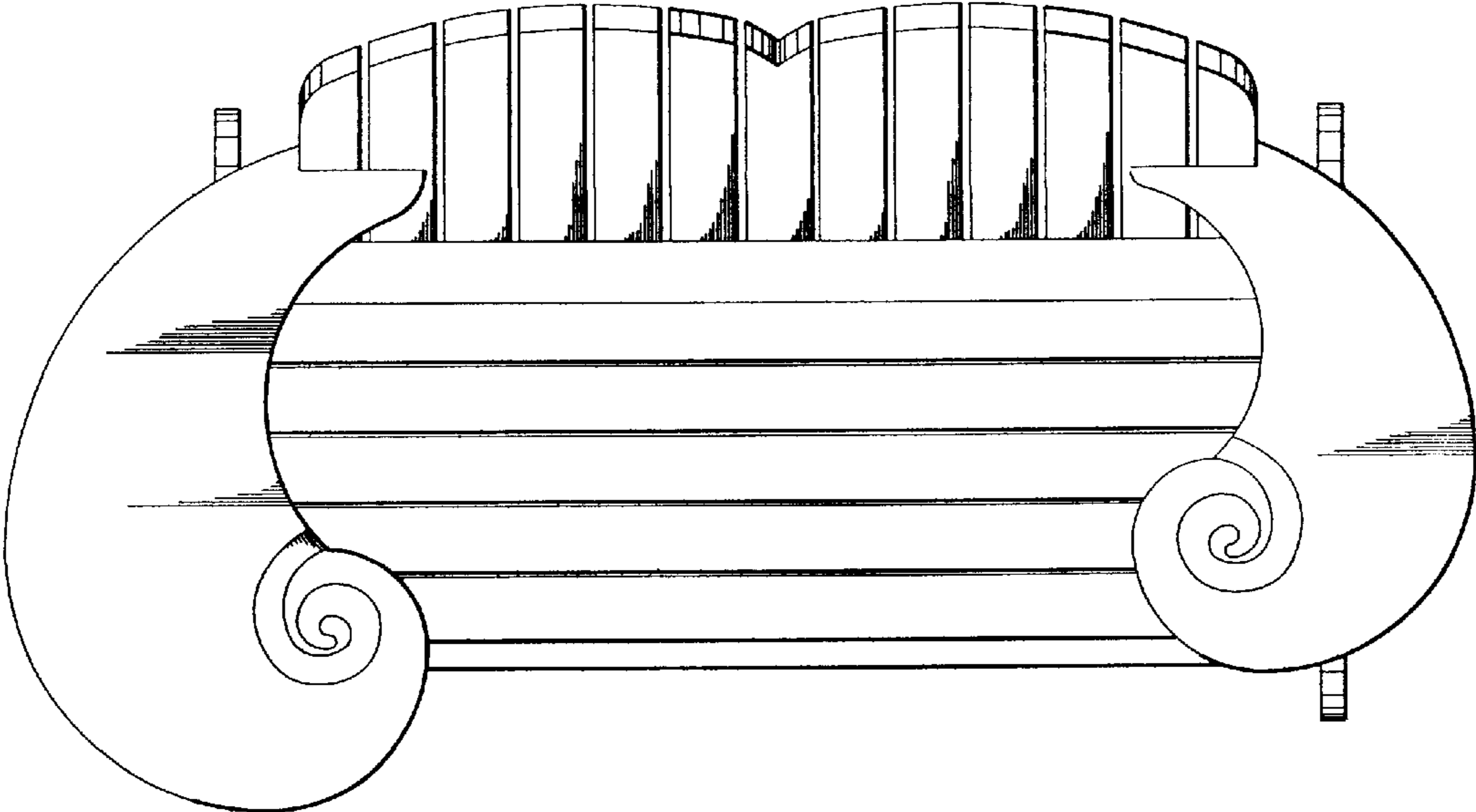


FIG. 12

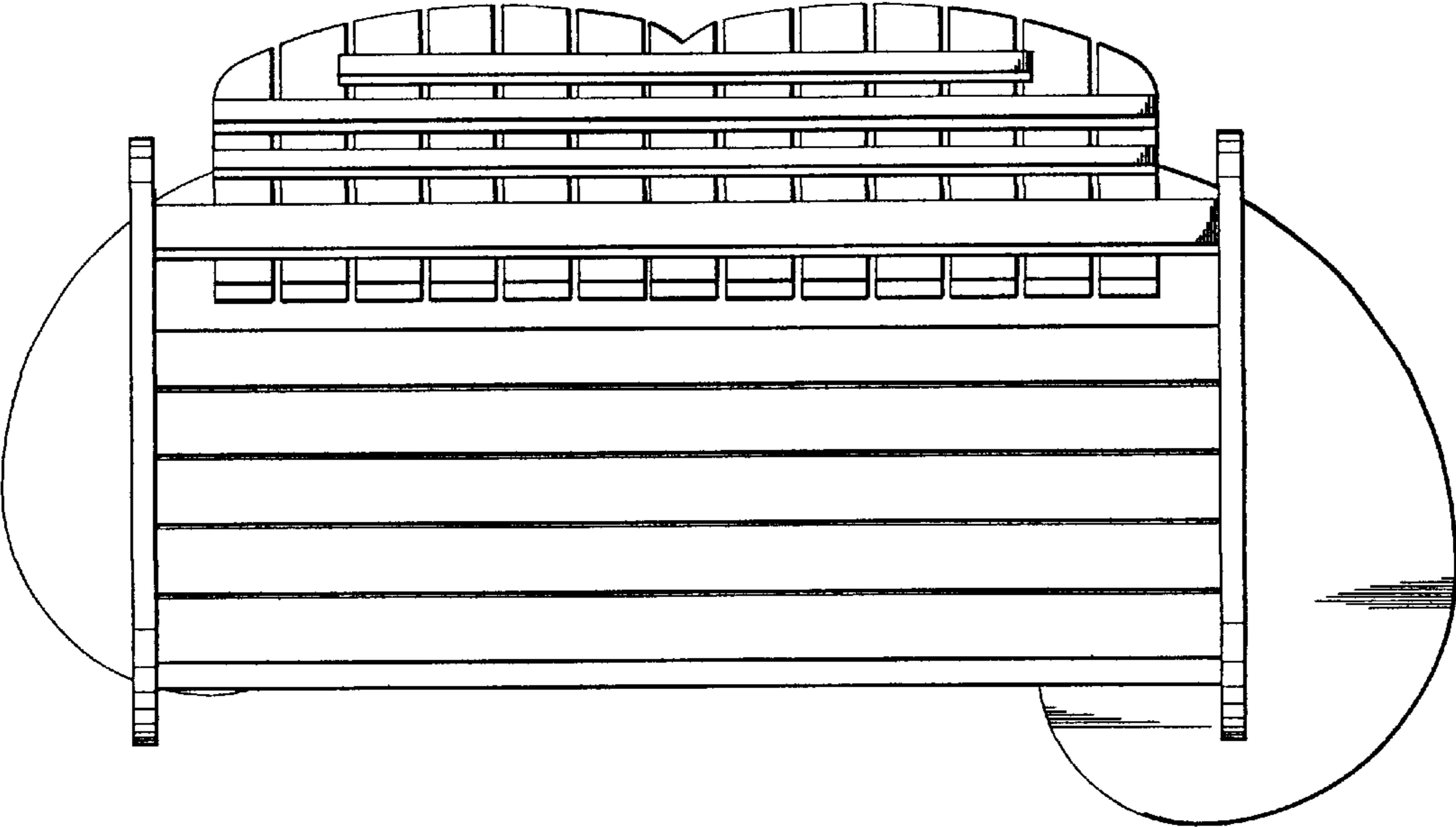


FIG. 13

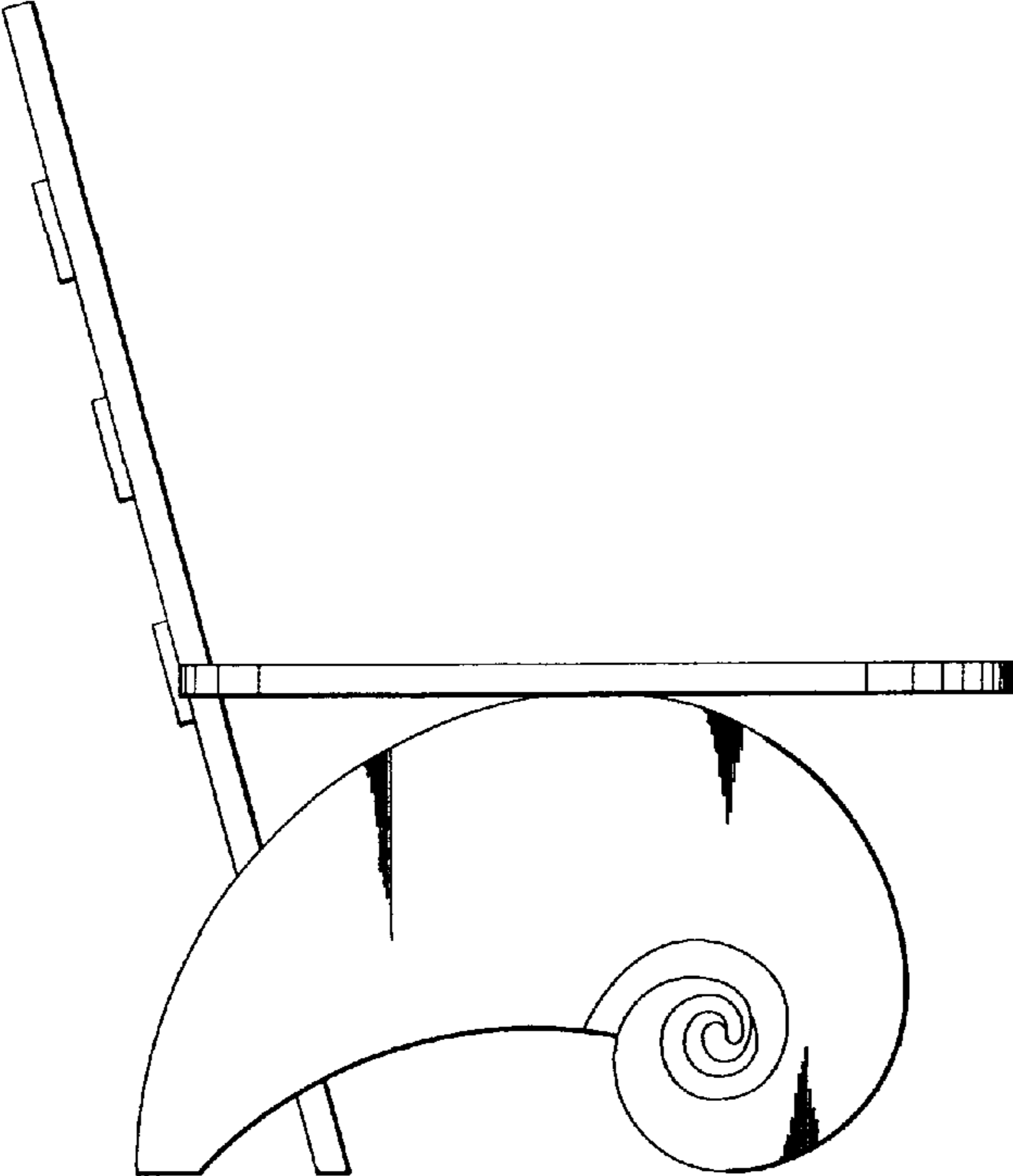


FIG. 14

