



US00D511896S

(12) **United States Design Patent**
Wu

(10) **Patent No.:** **US D511,896 S**

(45) **Date of Patent:** **** Nov. 29, 2005**

(54) **BARBECUE BRUSH**

D376,697 S * 12/1996 Green et al. D4/114
D400,358 S * 11/1998 Zemel D4/114

(76) **Inventor:** **Chi-Chang Wu**, P.O. Box No. 6-57,
Junghe, Taipei 235 (TW)

FOREIGN PATENT DOCUMENTS

(**) **Term:** **14 Years**

GB 2271049 A * 4/1994 A46B/15/00

* cited by examiner

(21) **Appl. No.:** **29/201,508**

Primary Examiner—Alan P. Douglas
Assistant Examiner—Lavone D. Tabor

(22) **Filed:** **Mar. 17, 2004**

(51) **LOC (8) Cl.** **04-04**

(57) **CLAIM**

(52) **U.S. Cl.** **D4/114; D4/136**

The ornamental design for a barbecue brush, as shown and described.

(58) **Field of Search** D4/114, 138, 132,
D4/136; D9/715, 718, 719, 723, 724; 132/112-114,
116; 401/152, 156, 183-185, 274, 278,
286, 288, 290, 291, 268, 270, 271, 282

DESCRIPTION

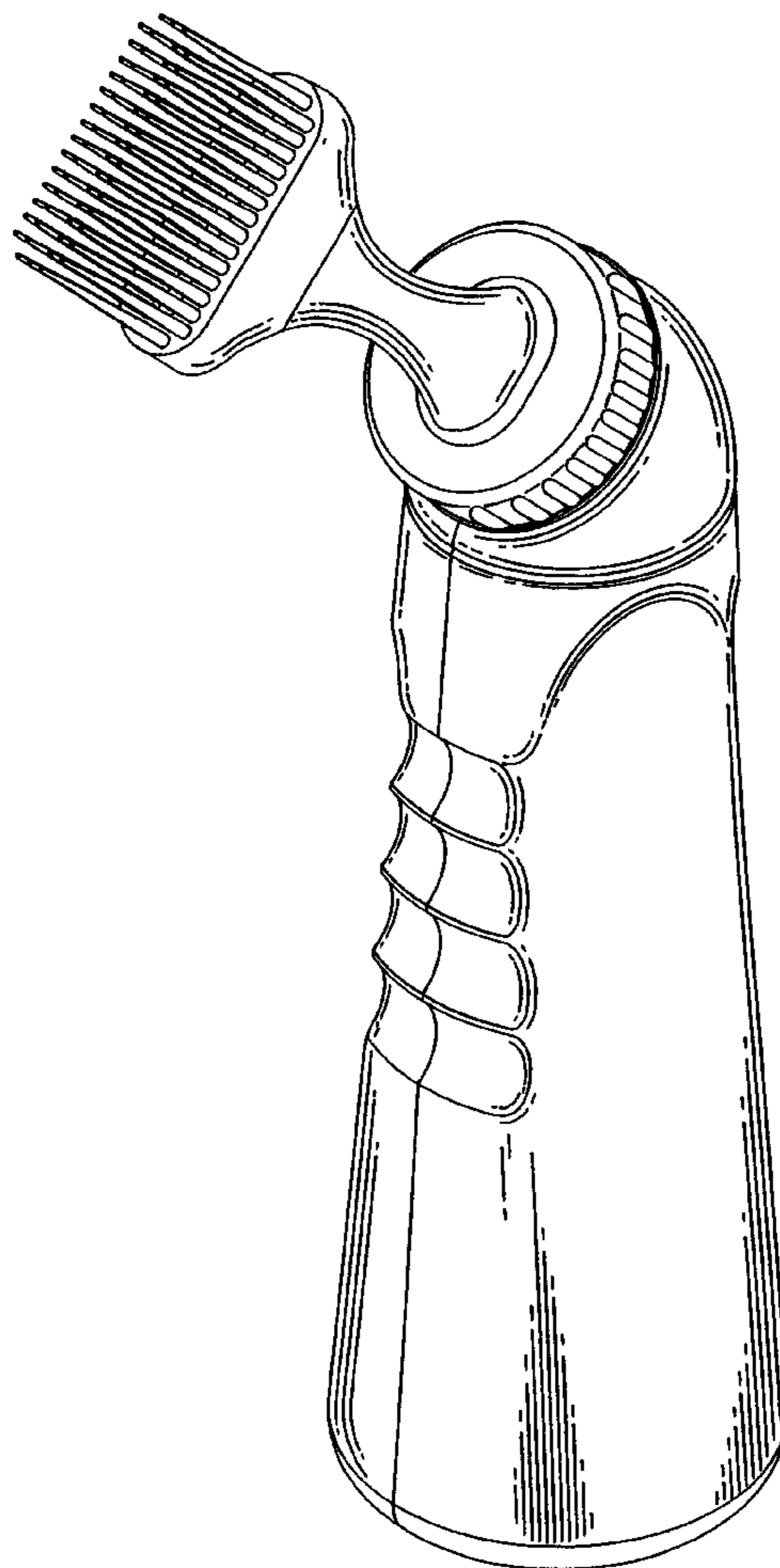
(56) **References Cited**

FIG. 1 is a perspective view of a barbecue brush;
FIG. 2 is a front view thereof;
FIG. 3 is a back view thereof;
FIG. 4 is a left side view thereof;
FIG. 5 is a right side view thereof;
FIG. 6 is a top view thereof; and,
FIG. 7 is a bottom view thereof.

U.S. PATENT DOCUMENTS

D165,109 S * 11/1951 Petrosky D4/114
3,029,464 A * 4/1962 Springmeier 401/183
3,090,070 A * 5/1963 Simons 401/183 X
3,106,741 A * 10/1963 Stoner 401/183
D376,048 S * 12/1996 Gerhart et al. D4/114

1 Claim, 7 Drawing Sheets



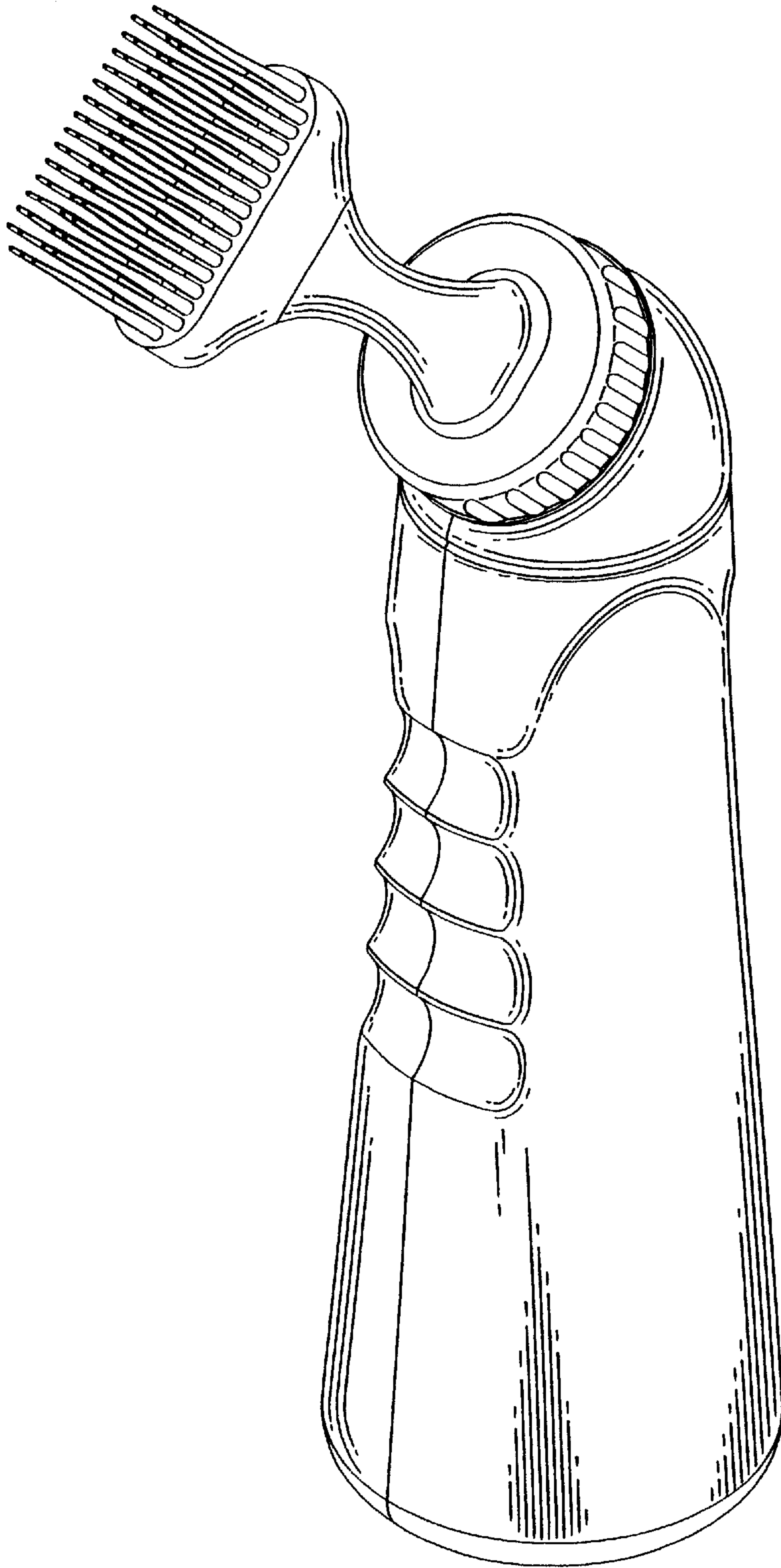


FIG. 1

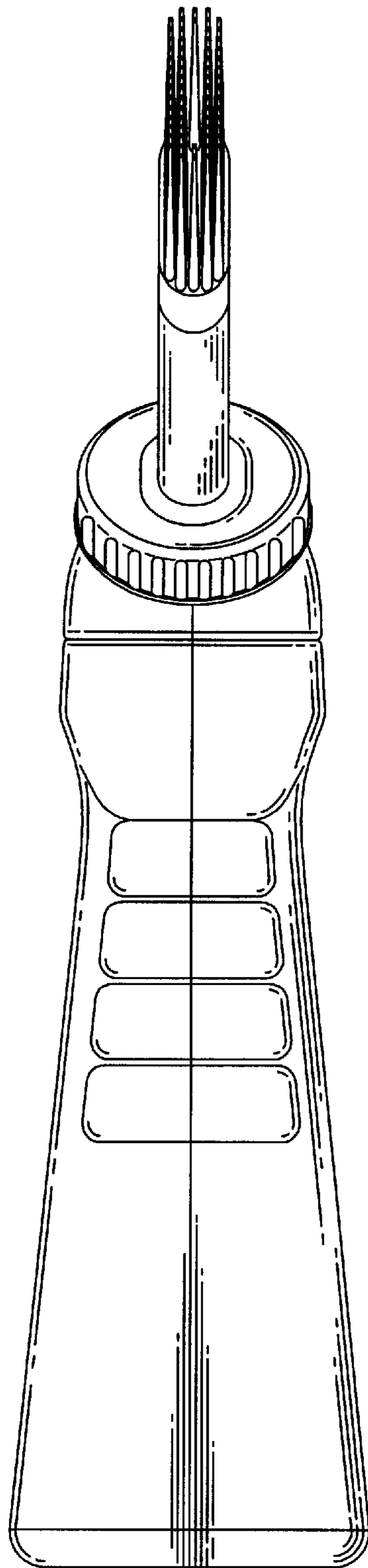


FIG. 2

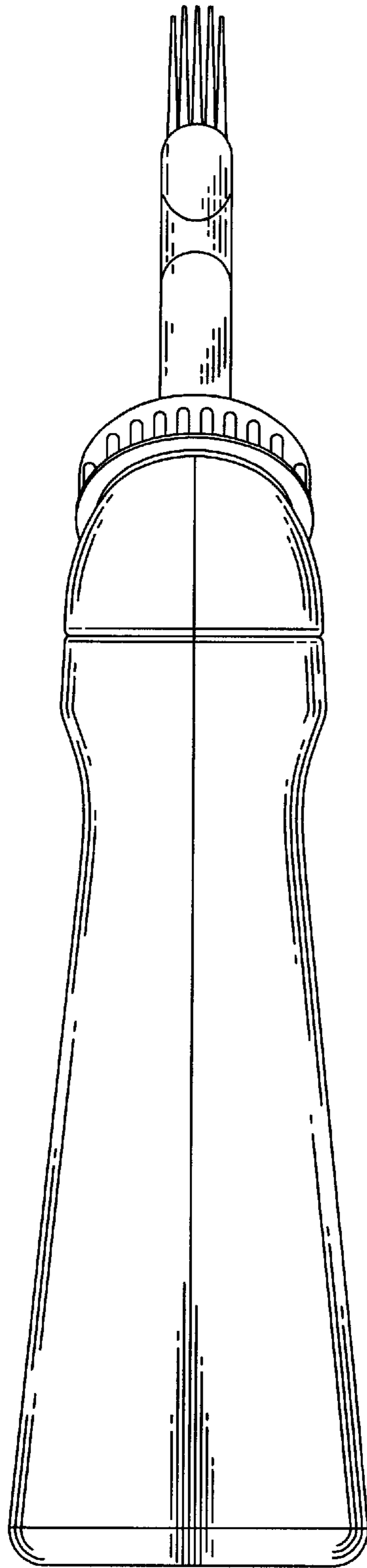


FIG. 3

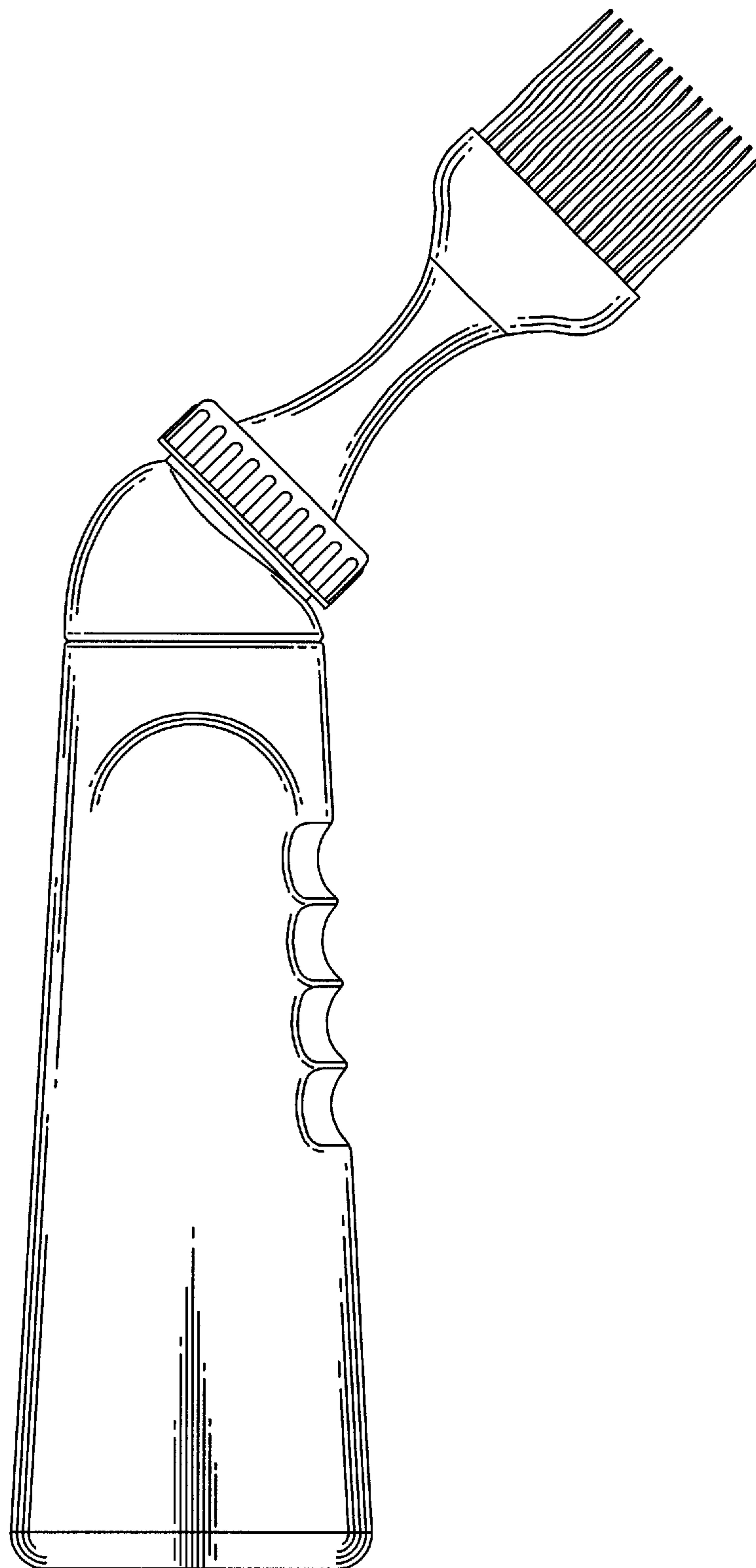


FIG. 4

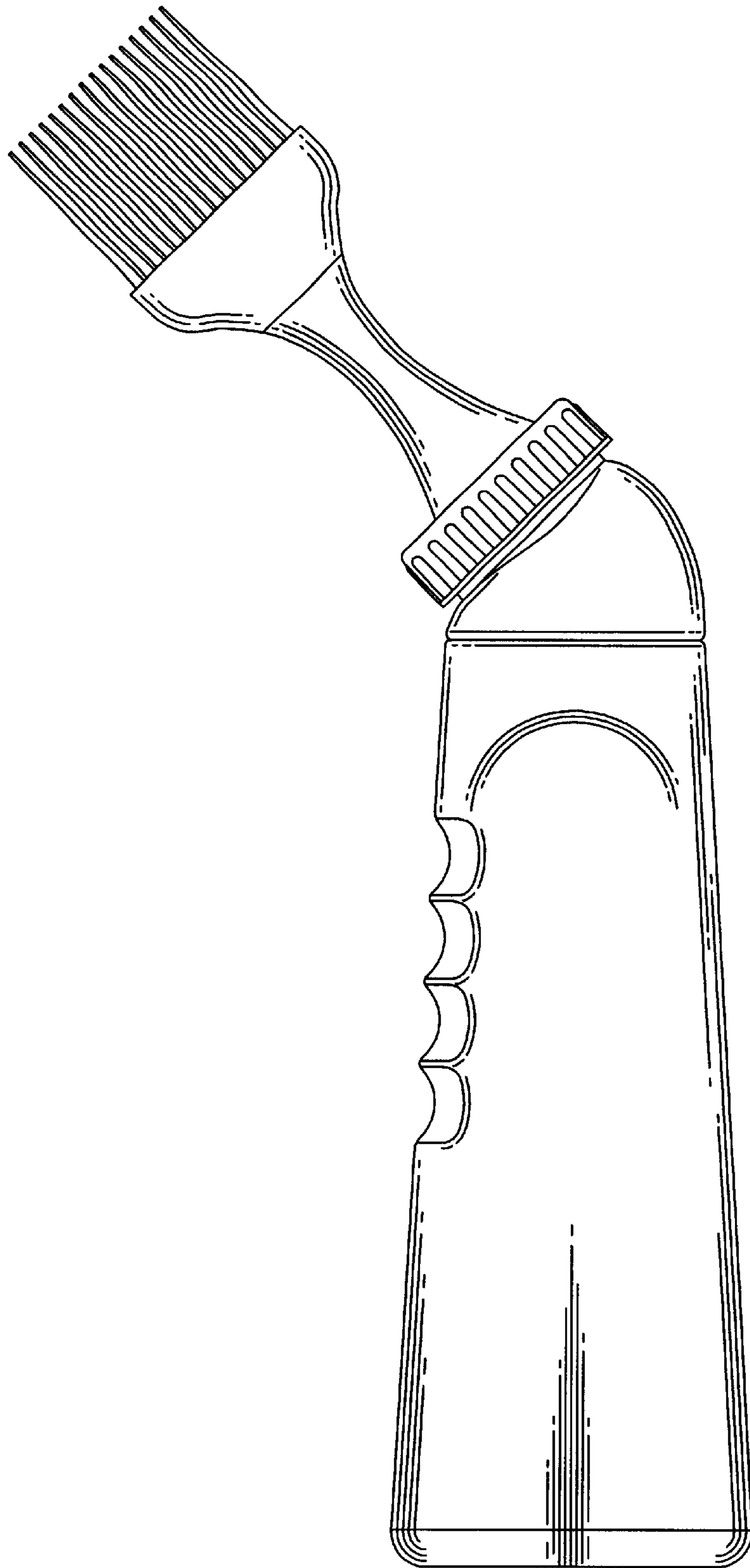


FIG. 5

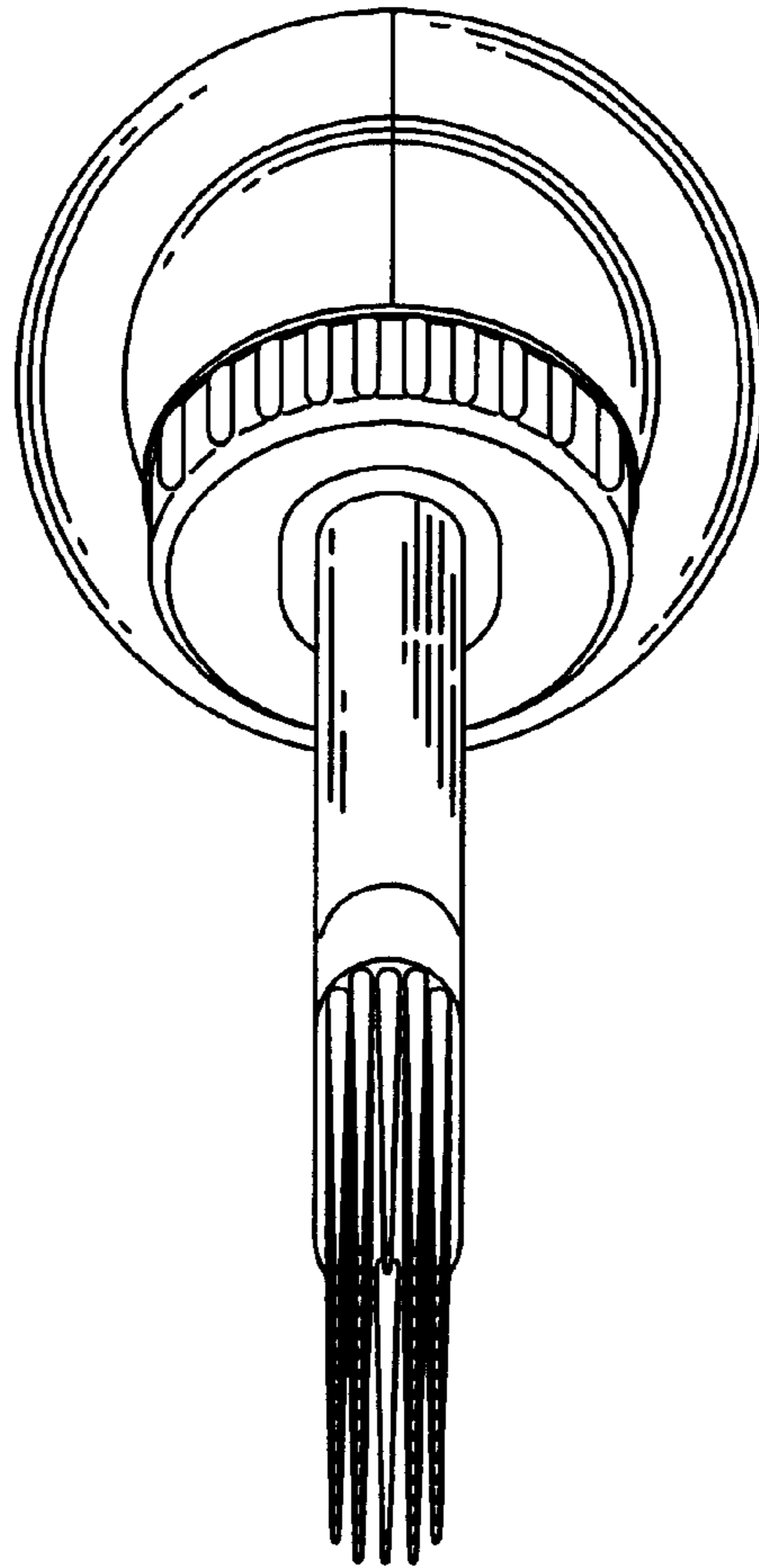


FIG. 6

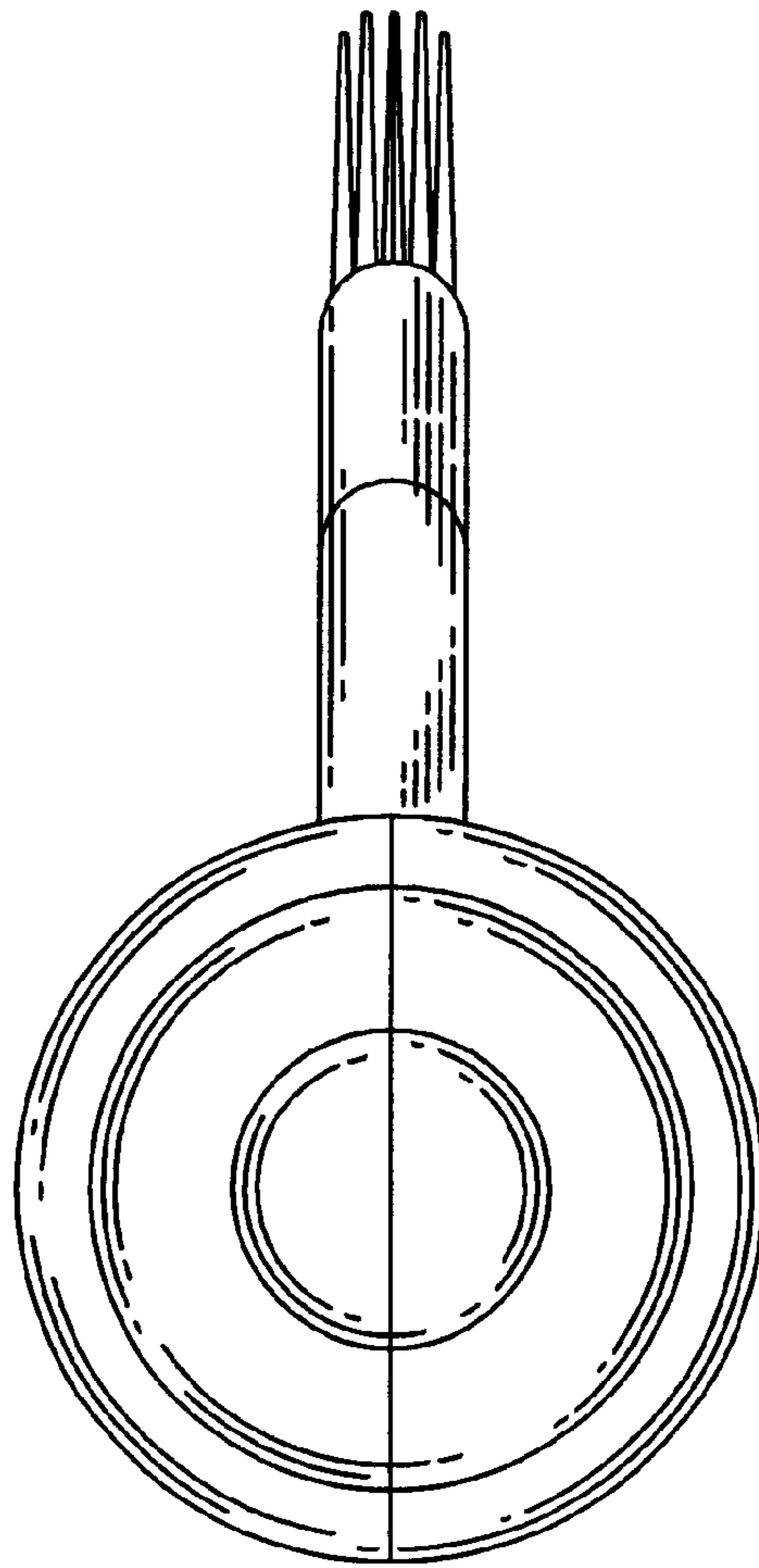


FIG. 7