



US00D511890S

(12) **United States Design Patent**  
**Burns**

(10) **Patent No.:** **US D511,890 S**

(45) **Date of Patent:** **\*\* Nov. 29, 2005**

(54) **CARRYING POUCH FOR SMALL ARTICLES**

(75) **Inventor:** **Michael W. Burns**, Hudson, OH (US)

(73) **Assignee:** **Quikey Manufacturing Co., Inc.**,  
Akron, OH (US)

(\*\*) **Term:** **14 Years**

(21) **Appl. No.:** **29/193,198**

(22) **Filed:** **Nov. 6, 2003**

(51) **LOC (8) Cl.** ..... **03-01**

(52) **U.S. Cl.** ..... **D3/226**

(58) **Field of Search** ..... D3/207-212, 215,  
D3/218, 224-228, 230; 70/456 R, 456-458;  
24/3.6, 3.11, 3.12

(56) **References Cited**

**U.S. PATENT DOCUMENTS**

1,579,081 A	3/1926	Coleman	.....	206/38
1,982,855 A	12/1934	Brunner et al.	.....	206/1
2,483,460 A	10/1949	Harris	.....	206/38
2,892,537 A	6/1959	Schwartz	.....	206/38
3,958,690 A	5/1976	Gee, Sr.	.....	206/232
4,566,590 A	1/1986	Manning et al.	.....	206/232
4,934,528 A	6/1990	Miller et al.	.....	206/235
5,330,056 A	7/1994	de la Rocha	.....	206/581

5,913,419 A	6/1999	Doodson	.....	206/308.1
D418,119 S	* 12/1999	Rowell	.....	D3/218
D426,701 S	* 6/2000	Edwards et al.	.....	D3/218
6,125,998 A	10/2000	Batista	.....	206/38
D485,060 S	* 1/2004	DeCotis	.....	D3/215

\* cited by examiner

*Primary Examiner*—Catherine R. Oliver

(74) *Attorney, Agent, or Firm*—Renner, Kenner, Greive,  
Bobak, Taylor & Weber

(57) **CLAIM**

I claim the ornamental design for a carrying pouch for small articles, as shown and described.

**DESCRIPTION**

FIG. 1 is a perspective view showing my improved carrying pouch for small articles.

FIG. 2 is a top plan view thereof.

FIG. 3 is a front elevational view thereof.

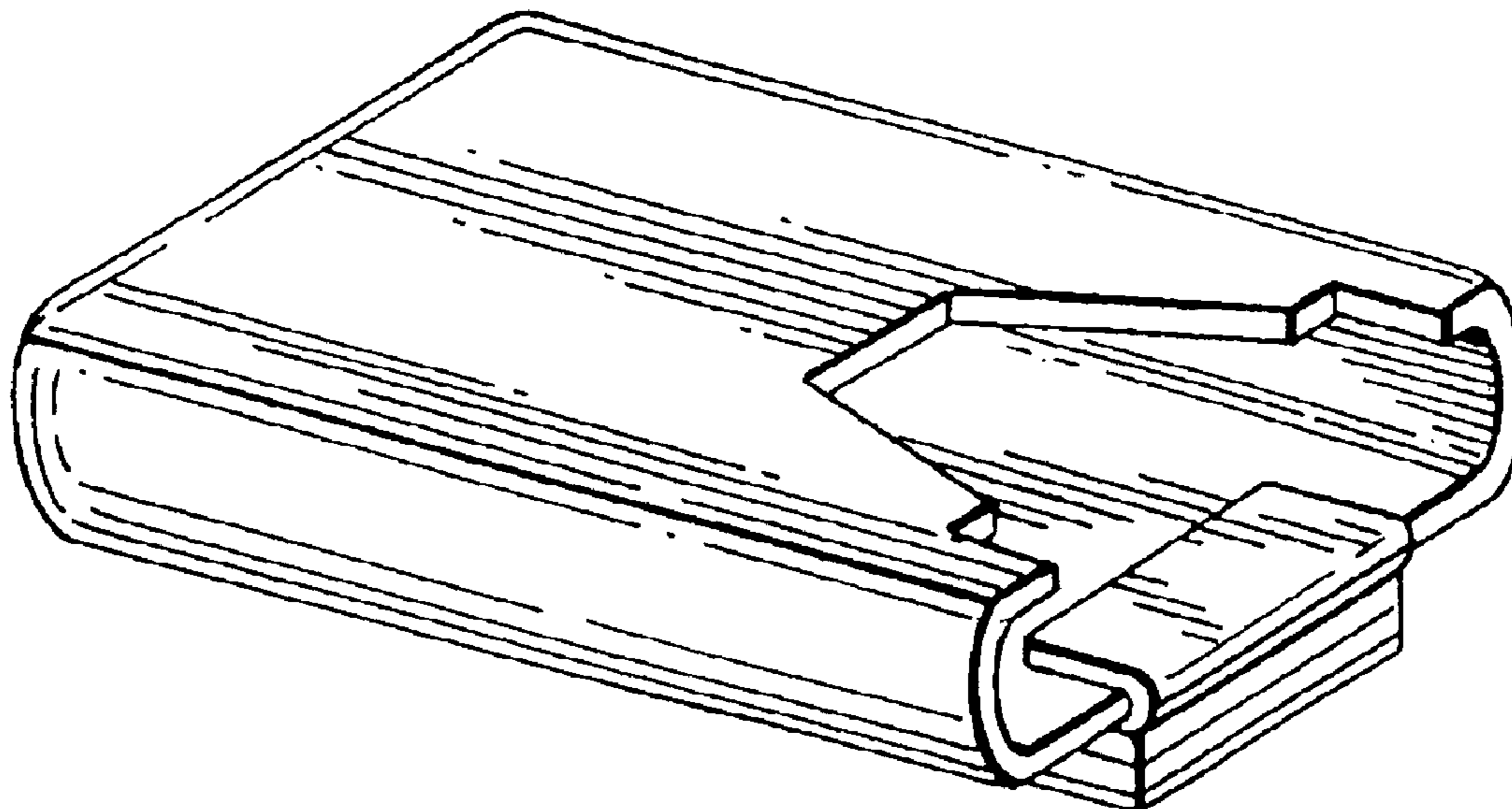
FIG. 4 is a rear elevational view thereof.

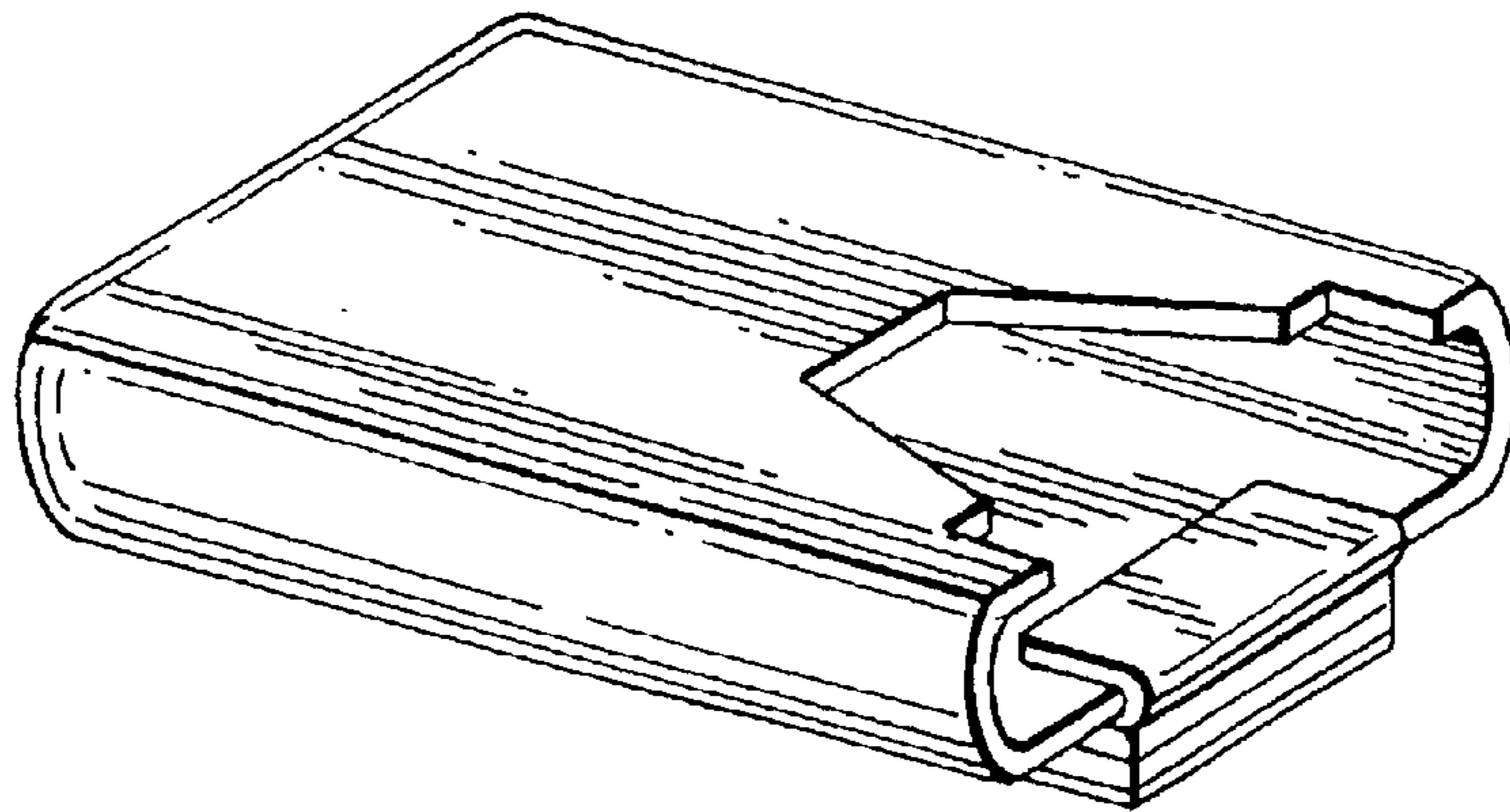
FIG. 5 is a bottom plan view thereof.

FIG. 6 is a side elevational view taken from the right of FIG. 3; and,

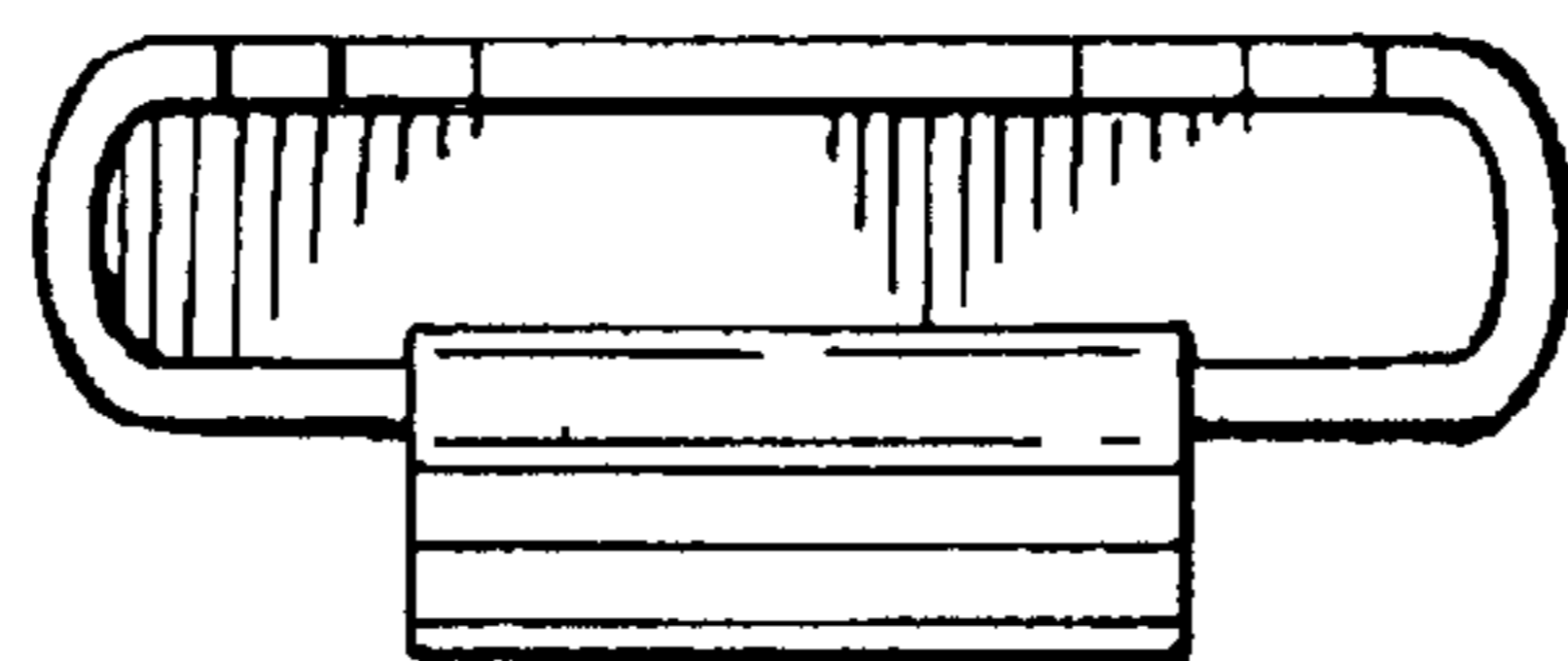
FIG. 7 is a side elevational view taken from the left of FIG. 3.

**1 Claim, 2 Drawing Sheets**

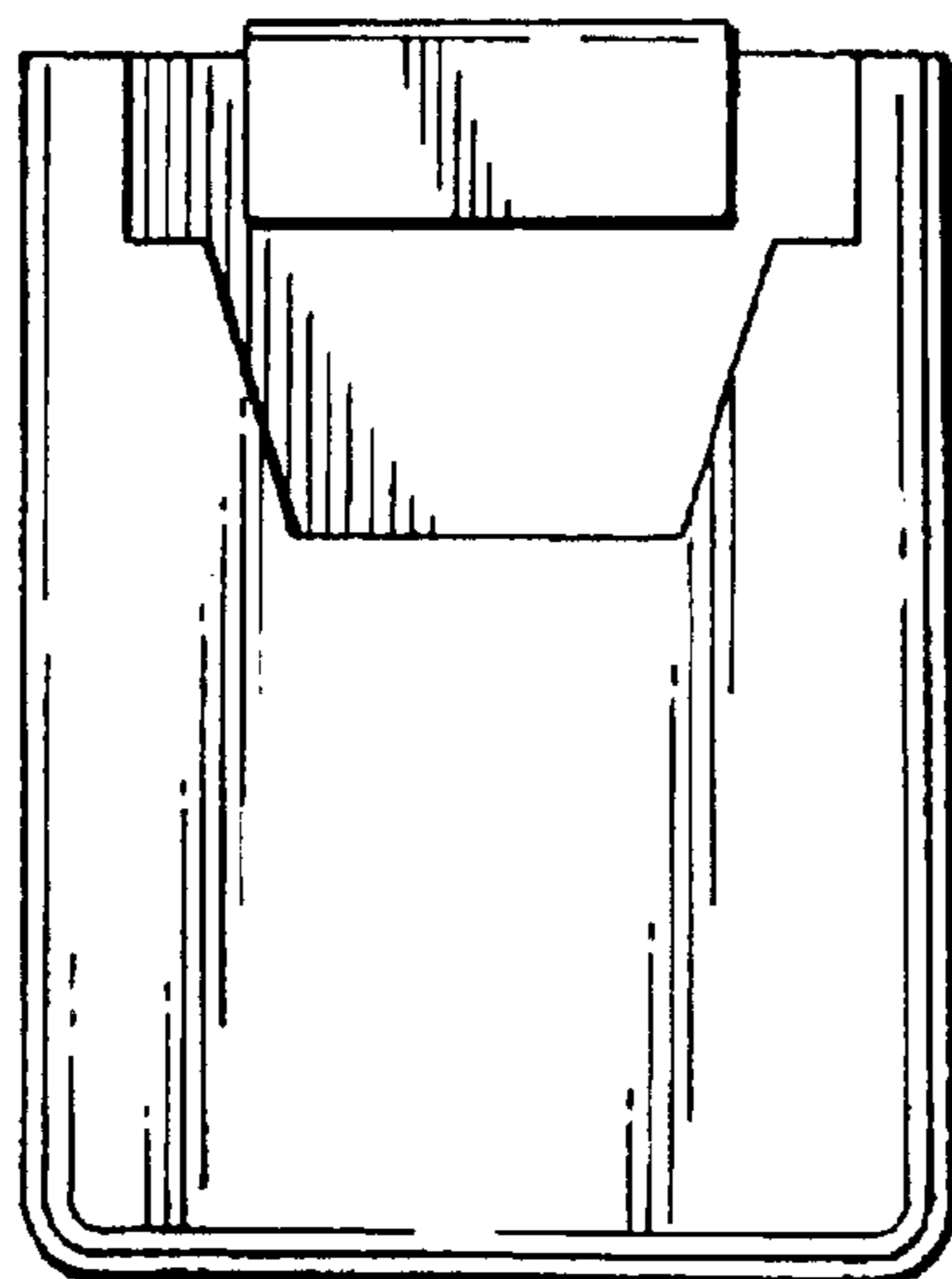




*FIG. 1*



*FIG. 2*



*FIG. 3*

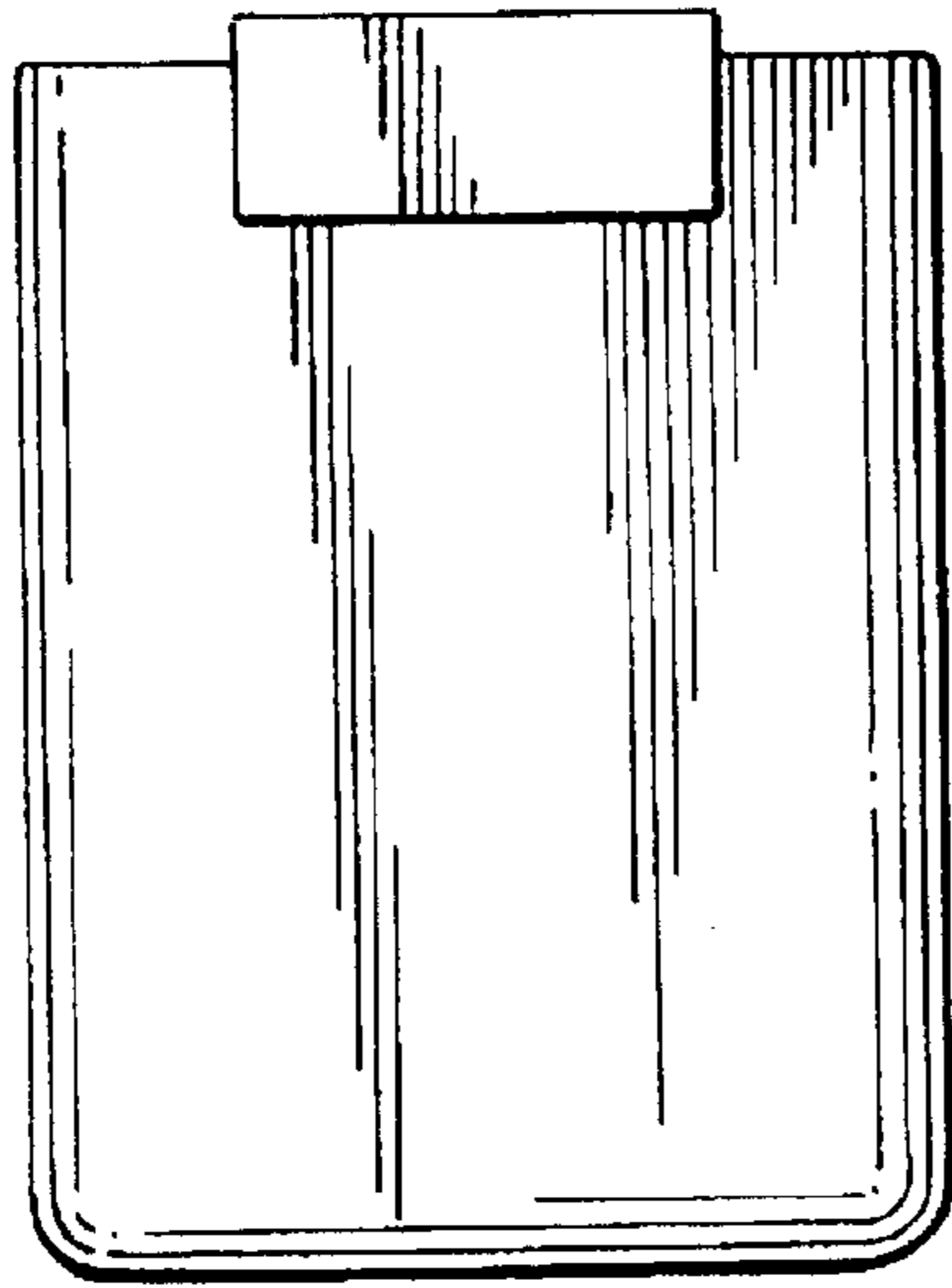


FIG. 4

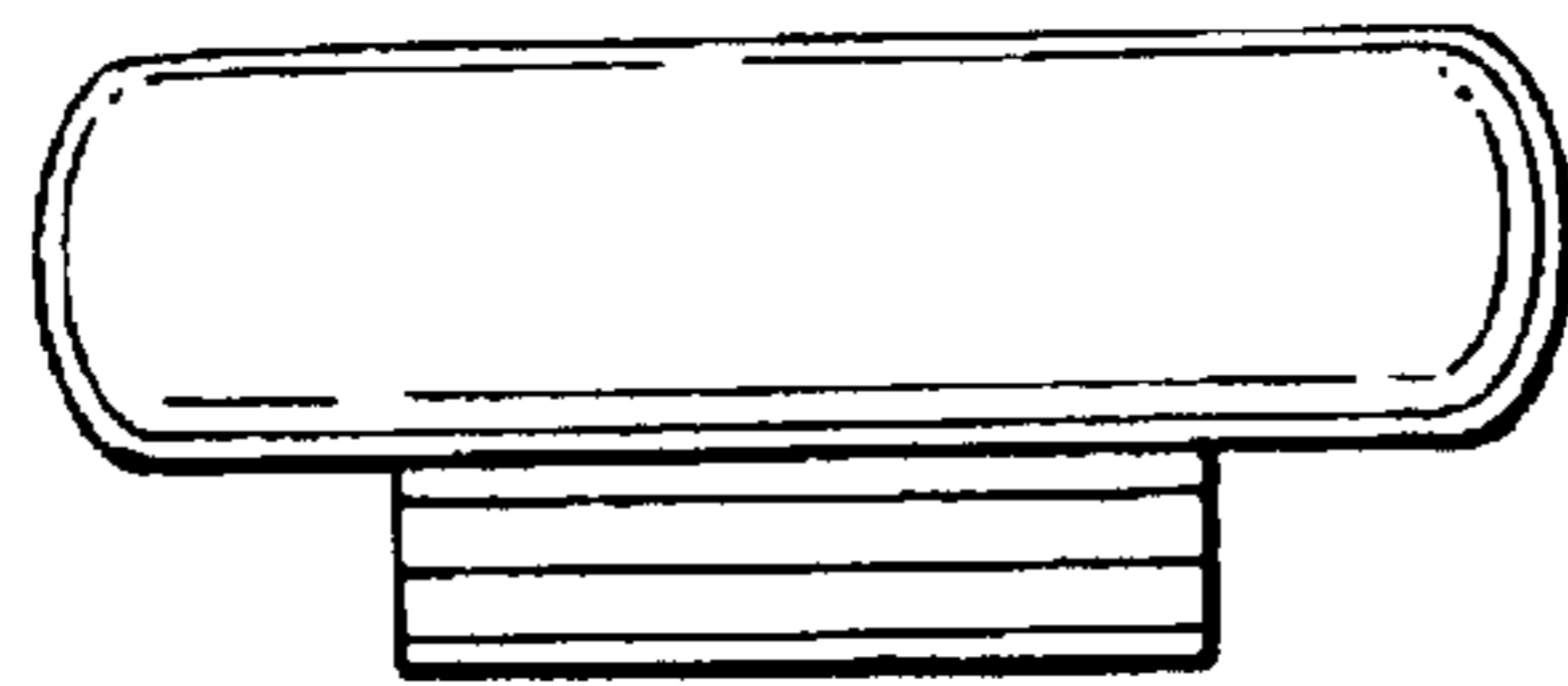


FIG. 5

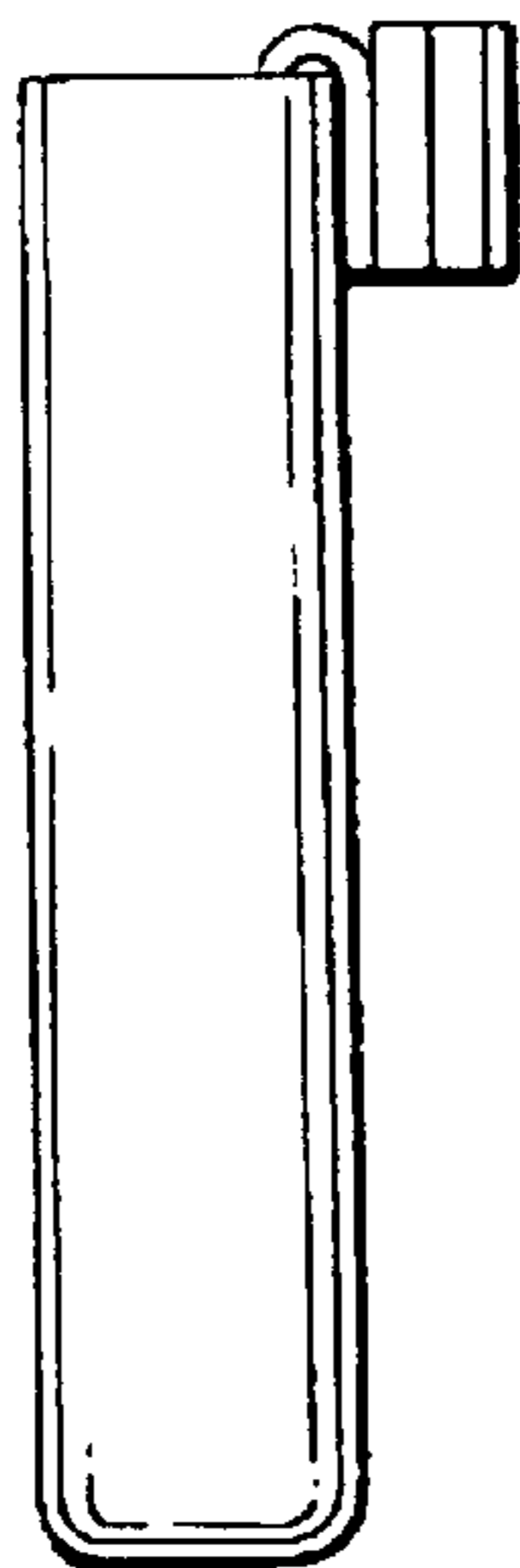


FIG. 6

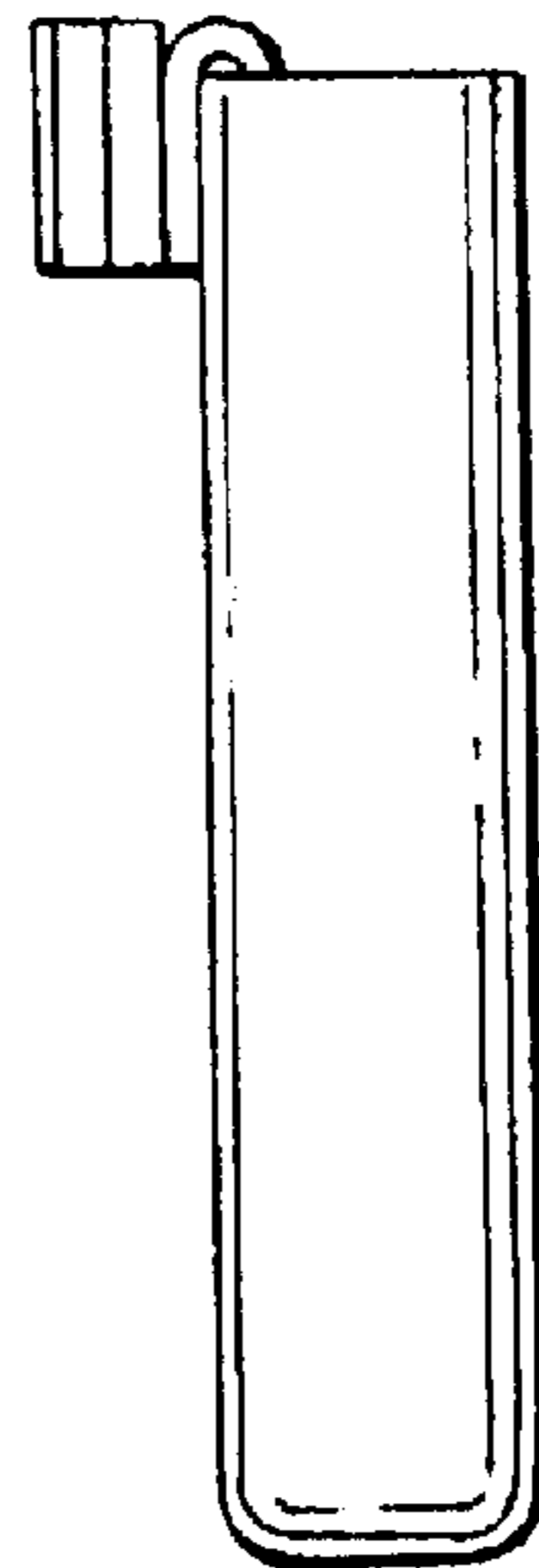


FIG. 7