

US00D511875S

(12) **United States Design Patent**  
**Wubben et al.**

(10) **Patent No.:** **US D511,875 S**  
(45) **Date of Patent:** **\*\* Nov. 22, 2005**

(54) **AGRICULTURAL BOOM SECTION**

(75) Inventors: **Thomas Mark Wubben**, Ankeny, IA (US); **Kent Alvin Klemme**, Ankeny, IA (US); **Brenden Lew Stephens**, Urbandale, IA (US); **Henry Clifton Sink, III**, Ankeny, IA (US); **Clark Steel Thomas**, Cambridge, IA (US); **Micah Joel Berberich**, Urbandale, IA (US)

(73) Assignee: **Deere & Company**, Moline, IL (US)

(\*\*) Term: **14 Years**

(21) Appl. No.: **29/182,440**

(22) Filed: **May 27, 2003**

(51) **LOC (8) Cl.** ..... **12-05**

(52) **U.S. Cl.** ..... **D34/33**

(58) **Field of Search** ..... D34/33, 35, 36;  
212/223, 255, 253, 231, 195, 196; 239/159;  
414/718

(56) **References Cited**

**U.S. PATENT DOCUMENTS**

2,035,044	A	*	3/1936	Carle	.....	212/223
3,399,785	A	*	9/1968	Mork	.....	212/298
3,564,789	A	*	2/1971	Vyvyan et al.	.....	52/108
4,053,060	A	*	10/1977	Wilson	.....	212/302
4,280,628	A	*	7/1981	Goss et al.	.....	212/281
4,524,875	A	*	6/1985	Jamieson	.....	212/239
4,655,022	A	*	4/1987	Natori	.....	52/646
4,662,130	A	*	5/1987	Miura et al.	.....	52/108
4,711,398	A		12/1987	Ganderton et al.	.....	239/167
5,035,337	A	*	7/1991	Juergens	.....	212/196
5,085,018	A	*	2/1992	Kitamura et al.	.....	52/108
6,279,764	B1	*	8/2001	Stoof	.....	212/177

6,315,218	B1		11/2001	Guesdon	.....	239/159
D456,584	S	*	4/2002	Rainey	.....	D34/33
6,374,565	B1	*	4/2002	Warren	.....	56/653.2
6,460,307	B1	*	10/2002	Blain, III	.....	52/633
6,499,611	B1	*	12/2002	Franzen et al.	.....	212/196
D482,175	S	*	11/2003	Lissandre	.....	D34/33
2002/0113137	A1		8/2002	Guesdon	.....	239/1
2003/0052188	A1		3/2003	Maliteare	.....	239/159

\* cited by examiner

*Primary Examiner*—Cynthia E. Ramirez

(57) **CLAIM**

The ornamental design for an agricultural boom section, as shown and described.

**DESCRIPTION**

FIG. 1 is a rear left elevated perspective view showing our new design for an agricultural boom section.

FIG. 2 is a front left view showing the agricultural boom section design shown in FIG. 1.

FIG. 3 is a left side view of the agricultural boom section design of FIG. 1.

FIG. 4 is a rear view of the agricultural boom section design of FIG. 1.

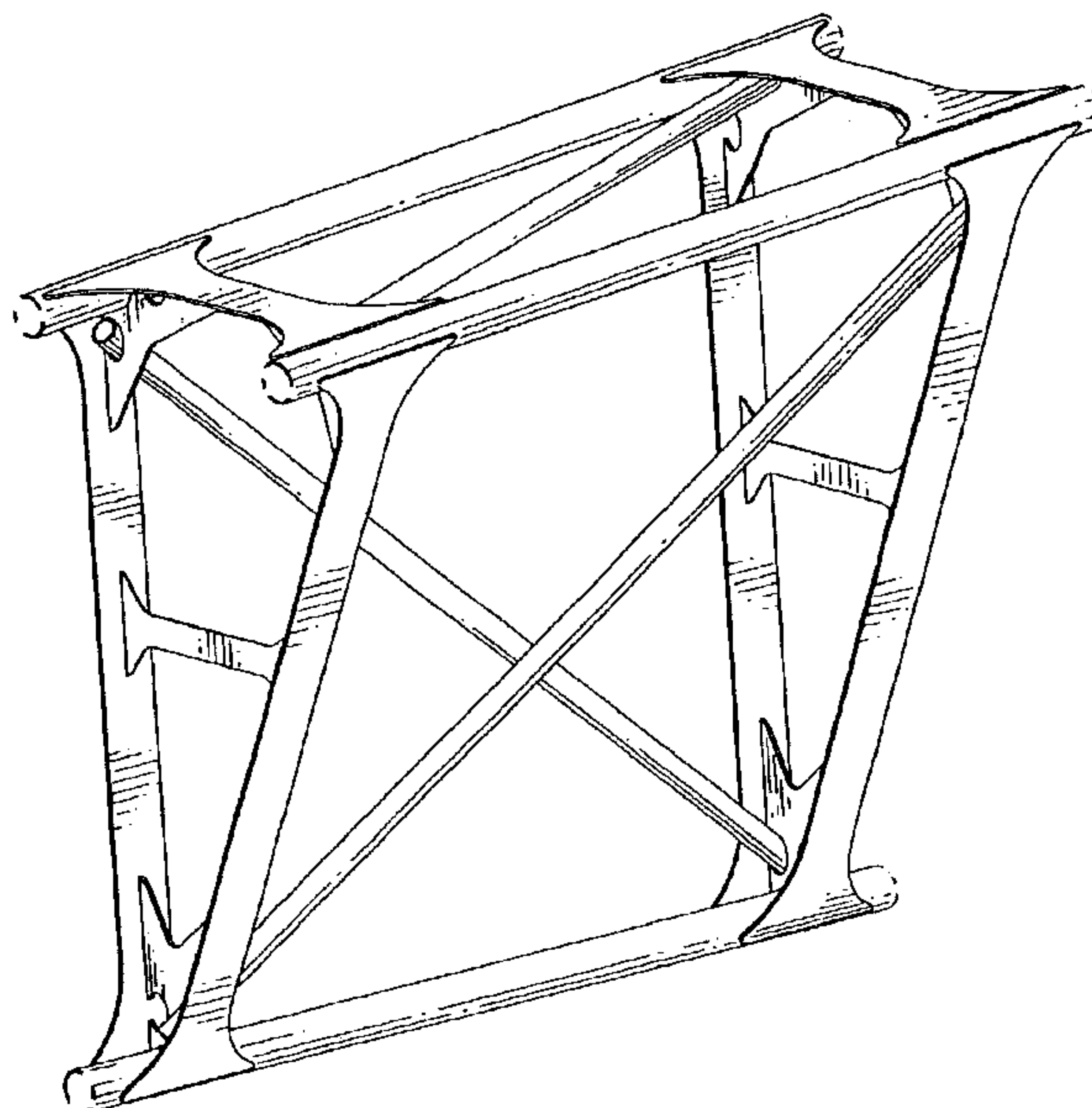
FIG. 5 is a top view of the agricultural boom section design of FIG. 1.

FIG. 6 is a right side view of the agricultural boom section design of FIG. 1; and,

FIG. 7 is a bottom view of the agricultural boom section design of FIG. 1.

The broken lines showing of the ends of the two upper tubes and the ends of the bottom tubes are to show the boundaries of the claimed design and form no part of the claimed design.

**1 Claim, 2 Drawing Sheets**



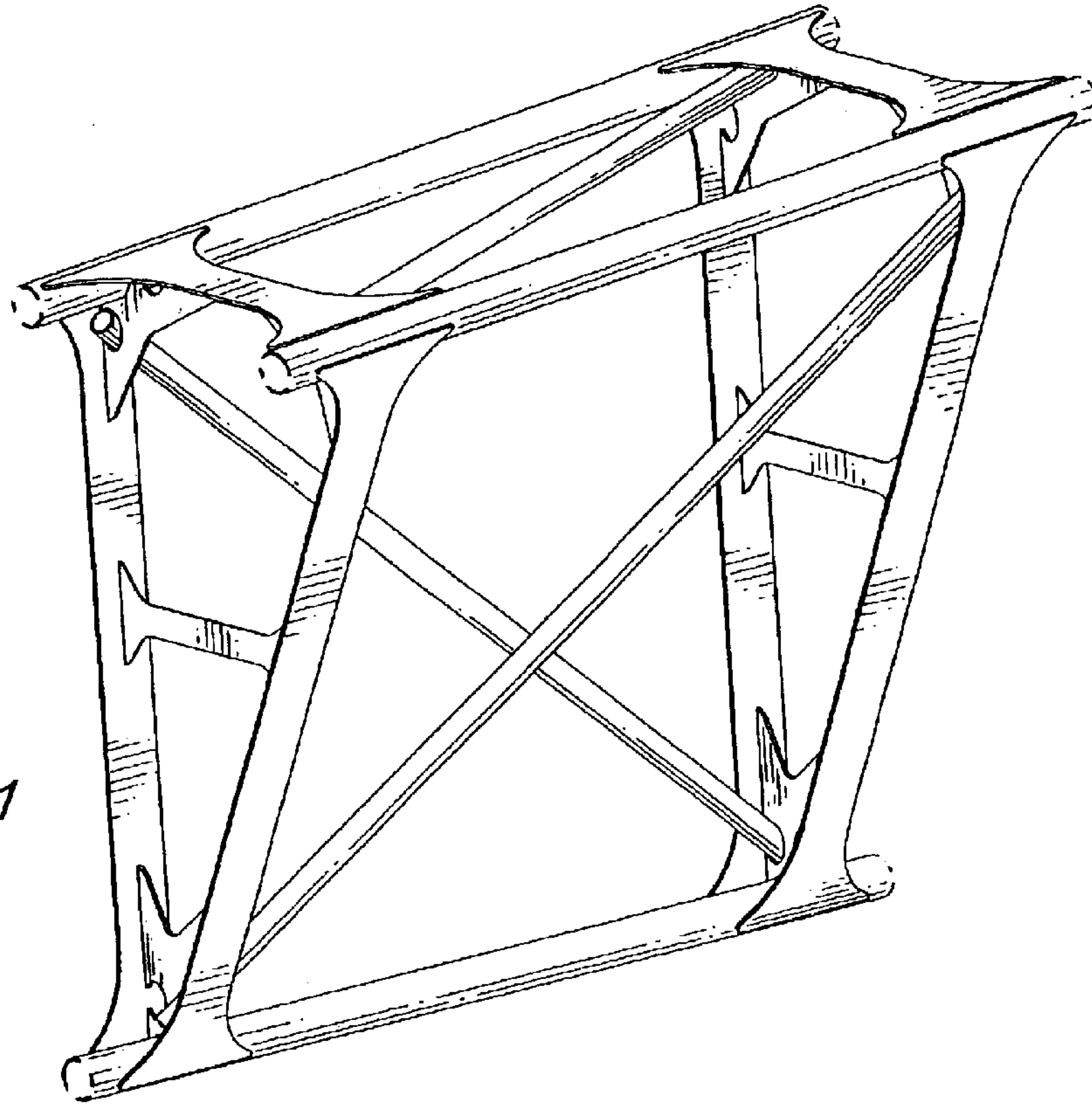


FIG. 1

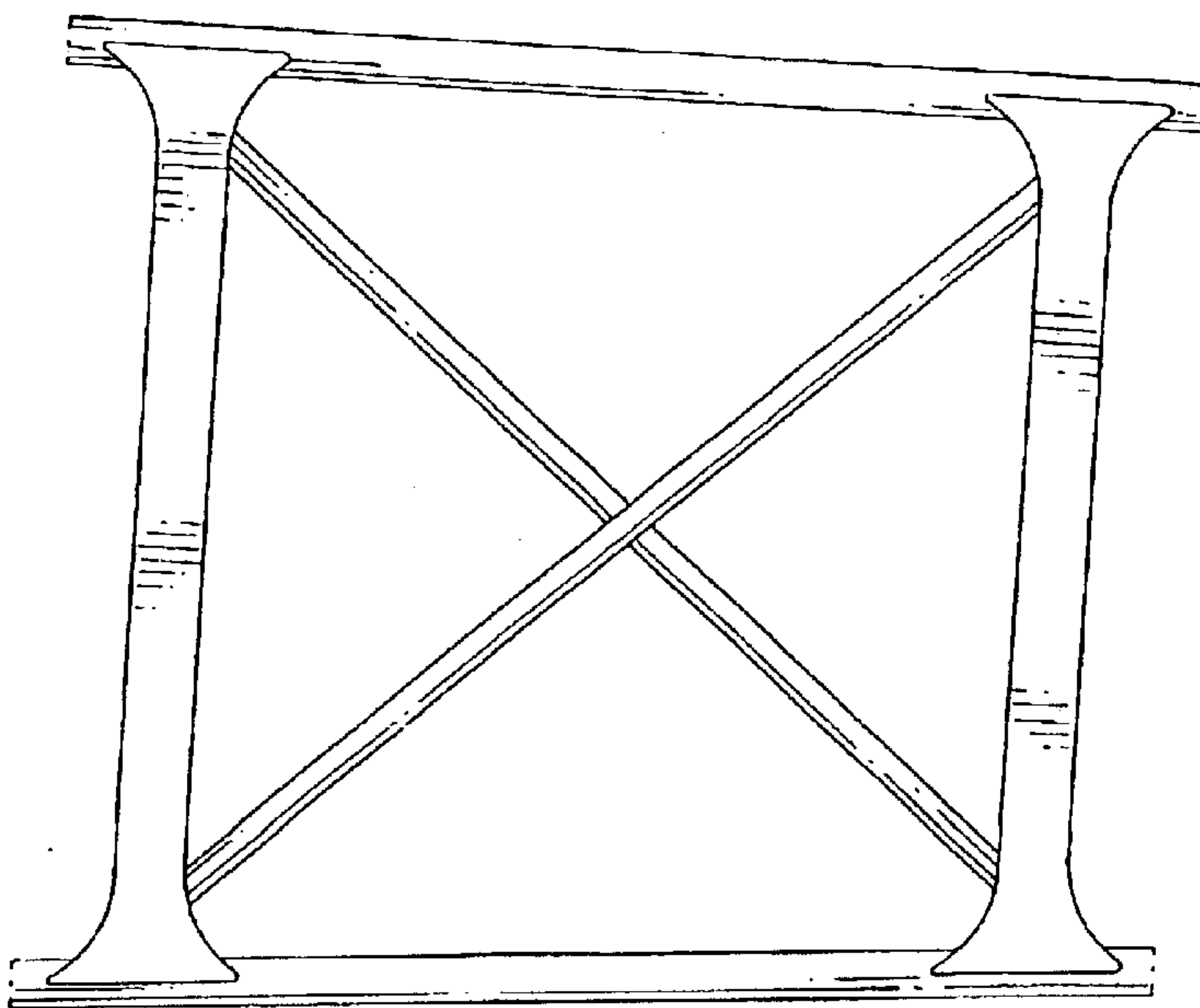


FIG. 2

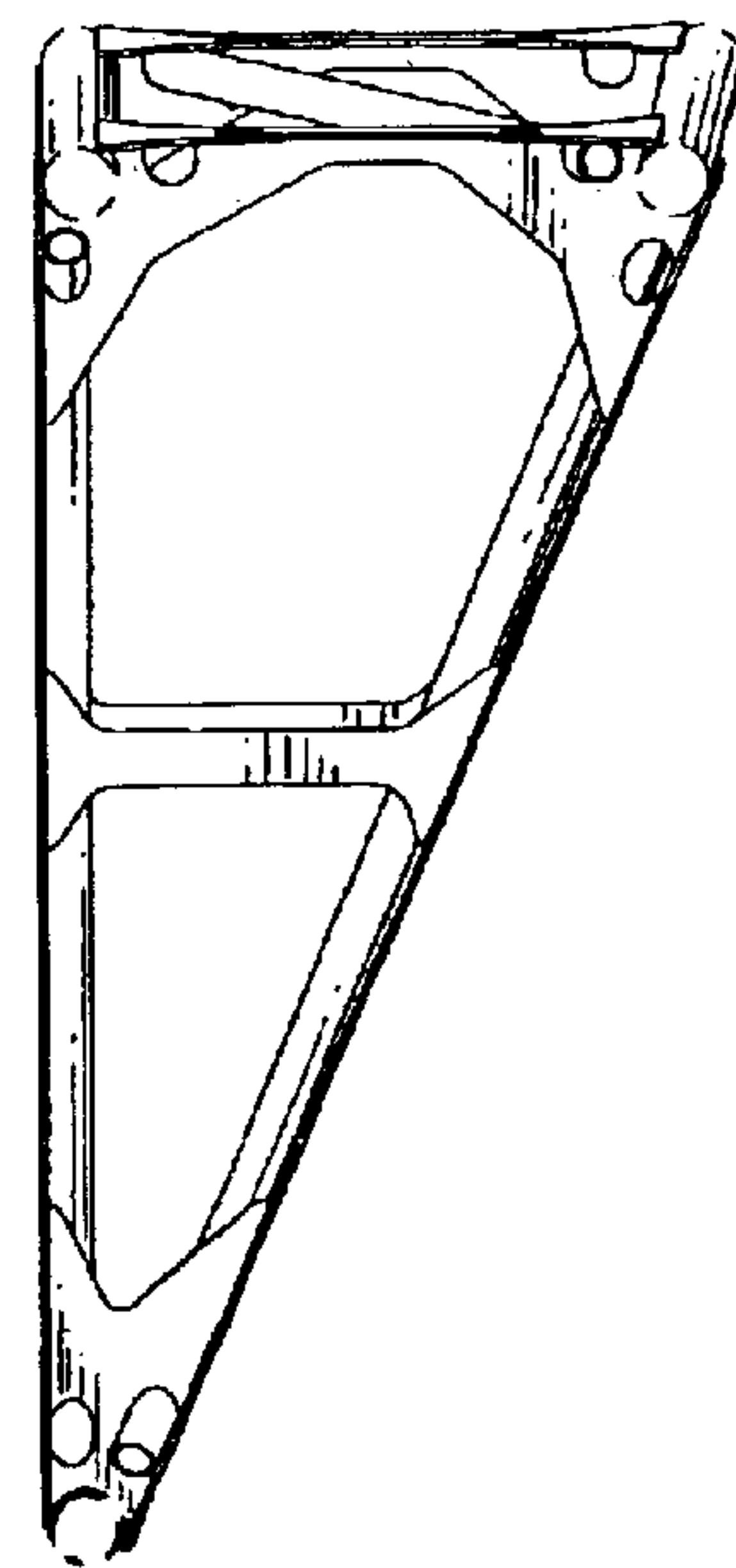


FIG. 3

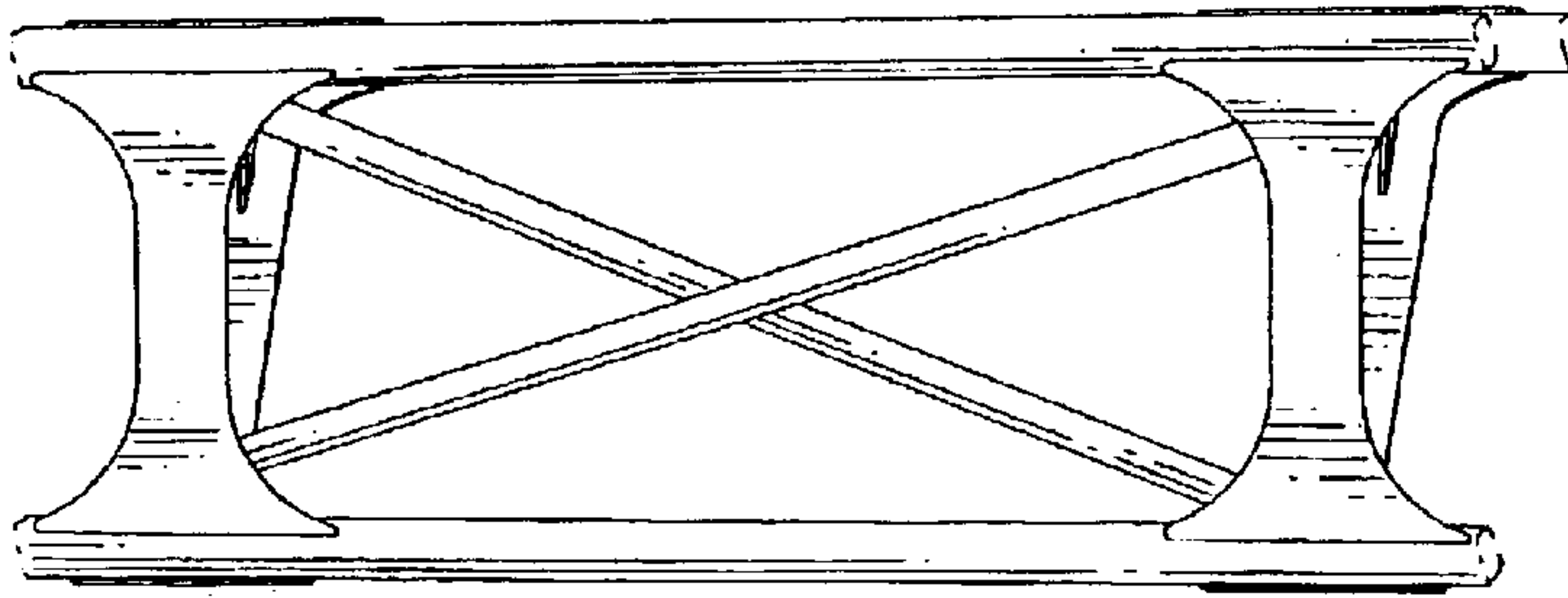


FIG. 5

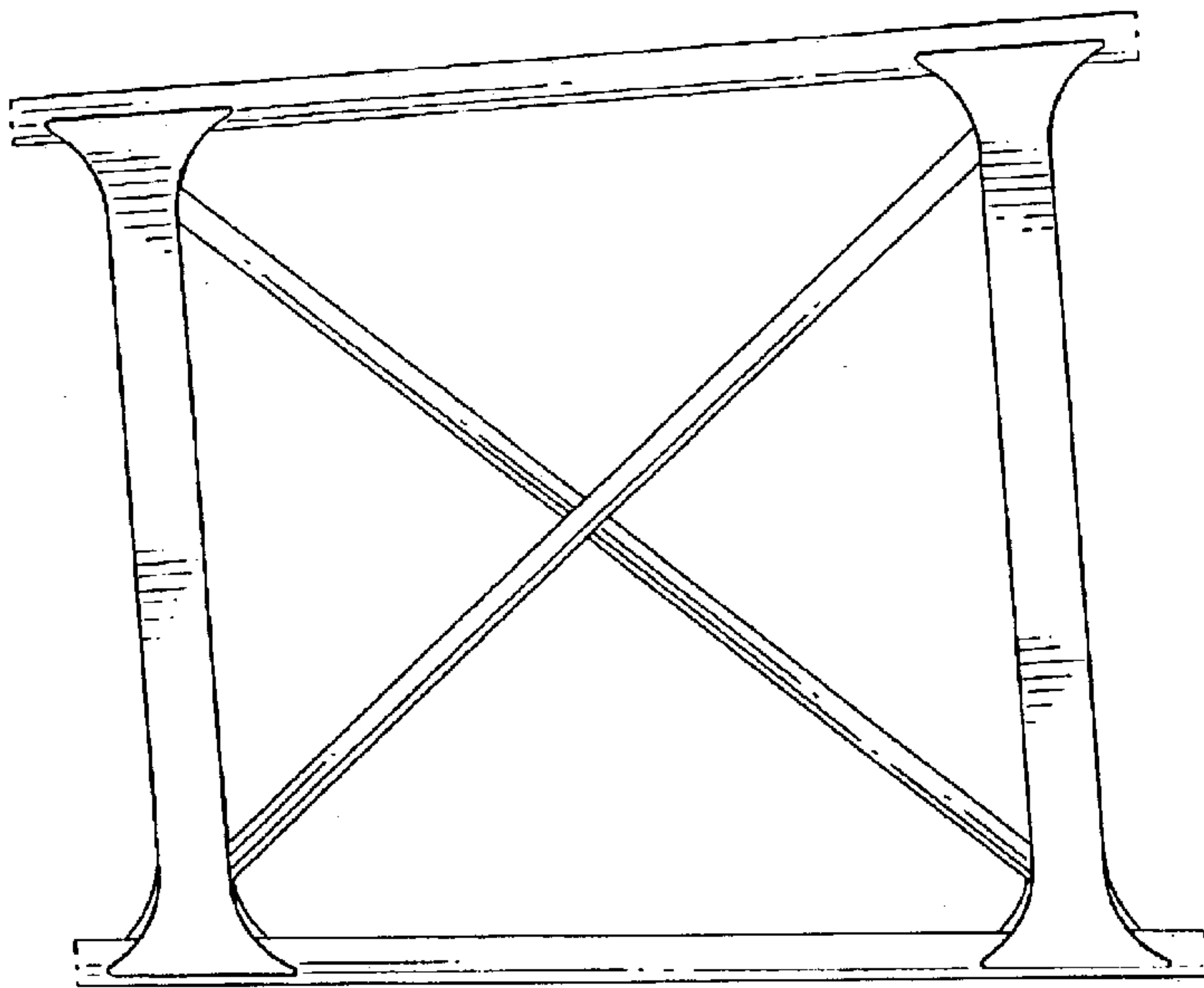


FIG. 4

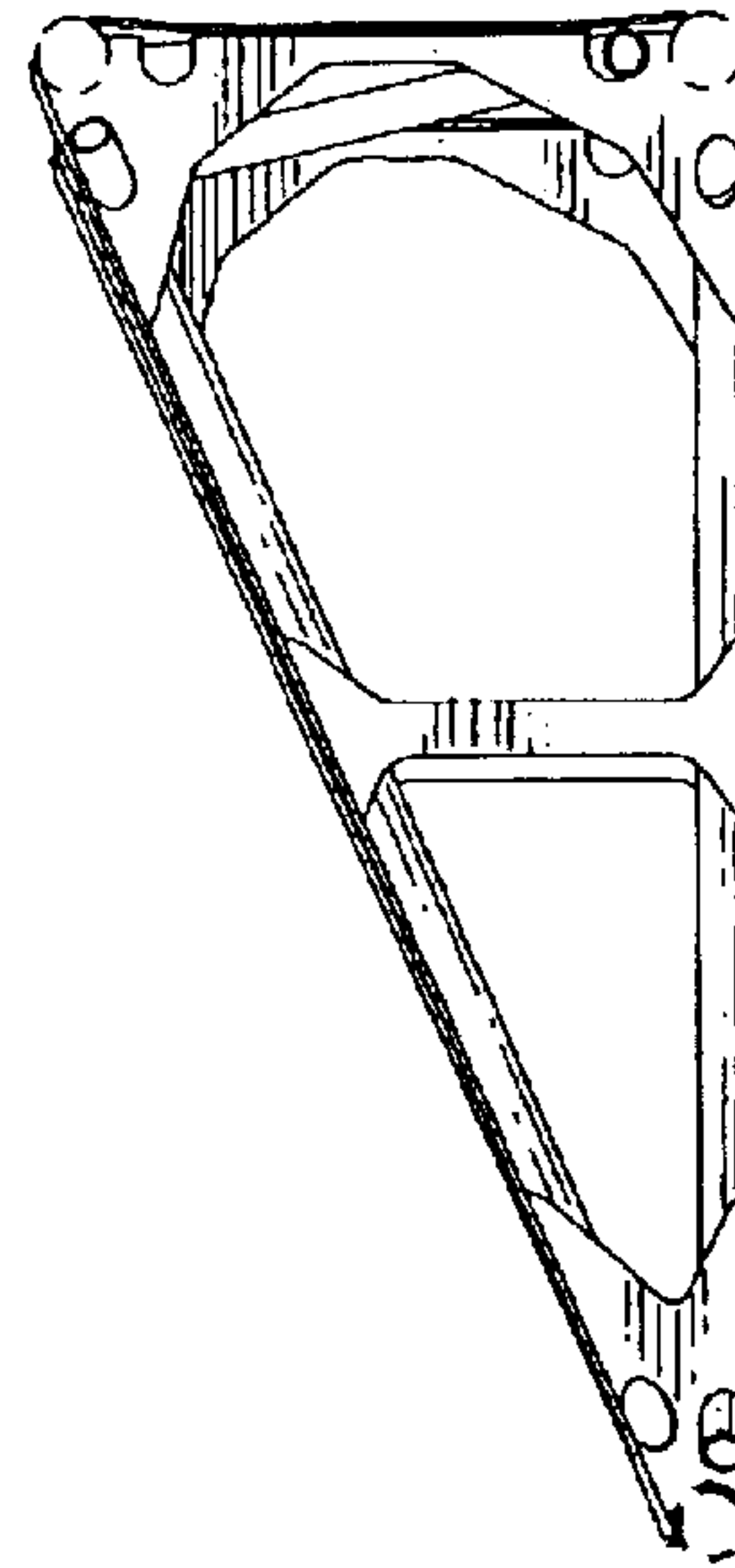


FIG. 6

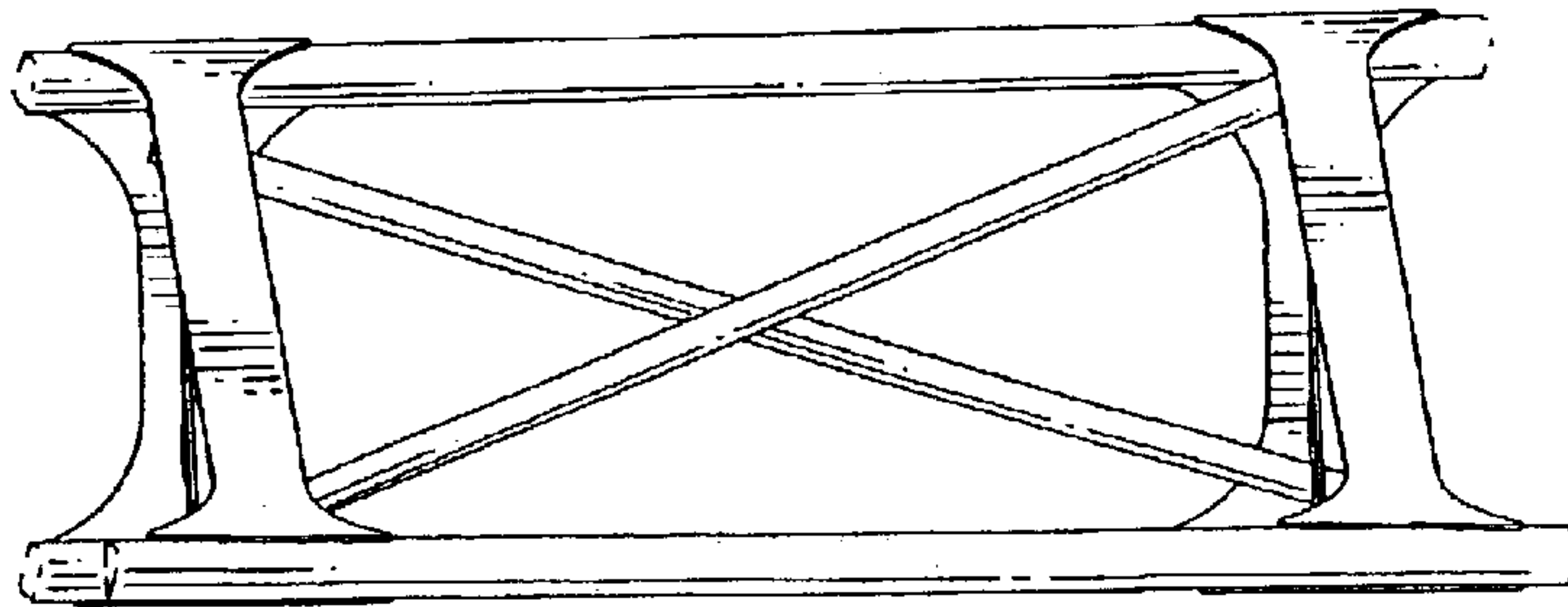


FIG. 7