

US00D511874S

(12) **United States Design Patent**
Brown

(10) **Patent No.:** **US D511,874 S**

(45) **Date of Patent:** **** Nov. 22, 2005**

(54) **HANDLE FOR A TUGGING CART**

(75) **Inventor:** **Edmund W. Brown, Racine, WI (US)**

(73) **Assignee:** **Topper Industrial, Inc., Sturtevant, WI (US)**

(**) **Term:** **14 Years**

(21) **Appl. No.:** **29/196,097**

(22) **Filed:** **Dec. 22, 2003**

(51) **LOC (8) Cl.** **12-02**

(52) **U.S. Cl.** **D34/27**

(58) **Field of Search** D34/27, 18; D12/133;
280/645, 47.35, 47.36, 79.5, 655.1, 47.371,
47.34, 79.11, 79.2

(56) **References Cited**

U.S. PATENT DOCUMENTS

3,112,042	A	*	11/1963	Ervin	414/490
D213,044	S	*	12/1968	Brown et al.	D34/27
4,505,495	A	*	3/1985	Foss et al.	280/651
4,637,626	A	*	1/1987	Foss et al.	280/655
5,002,304	A	*	3/1991	Carrigan, Jr.	280/655
5,328,192	A	*	7/1994	Thompson	280/47.24
5,558,359	A	*	9/1996	Phears	280/654
5,779,252	A	*	7/1998	Bolton, Jr.	280/47.371

D396,925	S	*	8/1998	Kessler et al.	D34/27
6,375,202	B2	*	4/2002	Weck et al.	280/47.35
D473,989	S	*	4/2003	Hittle	D34/18
D473,990	S	*	4/2003	Hittle	D34/18
6,685,200	B1	*	2/2004	Giannoni et al.	280/47.35
6,877,764	B2	*	4/2005	Sagol	280/655.1

* cited by examiner

Primary Examiner—Cynthia E. Ramirez

(74) *Attorney, Agent, or Firm*—Boyle Fredrickson
Newholm Stein & Gratz S.C.

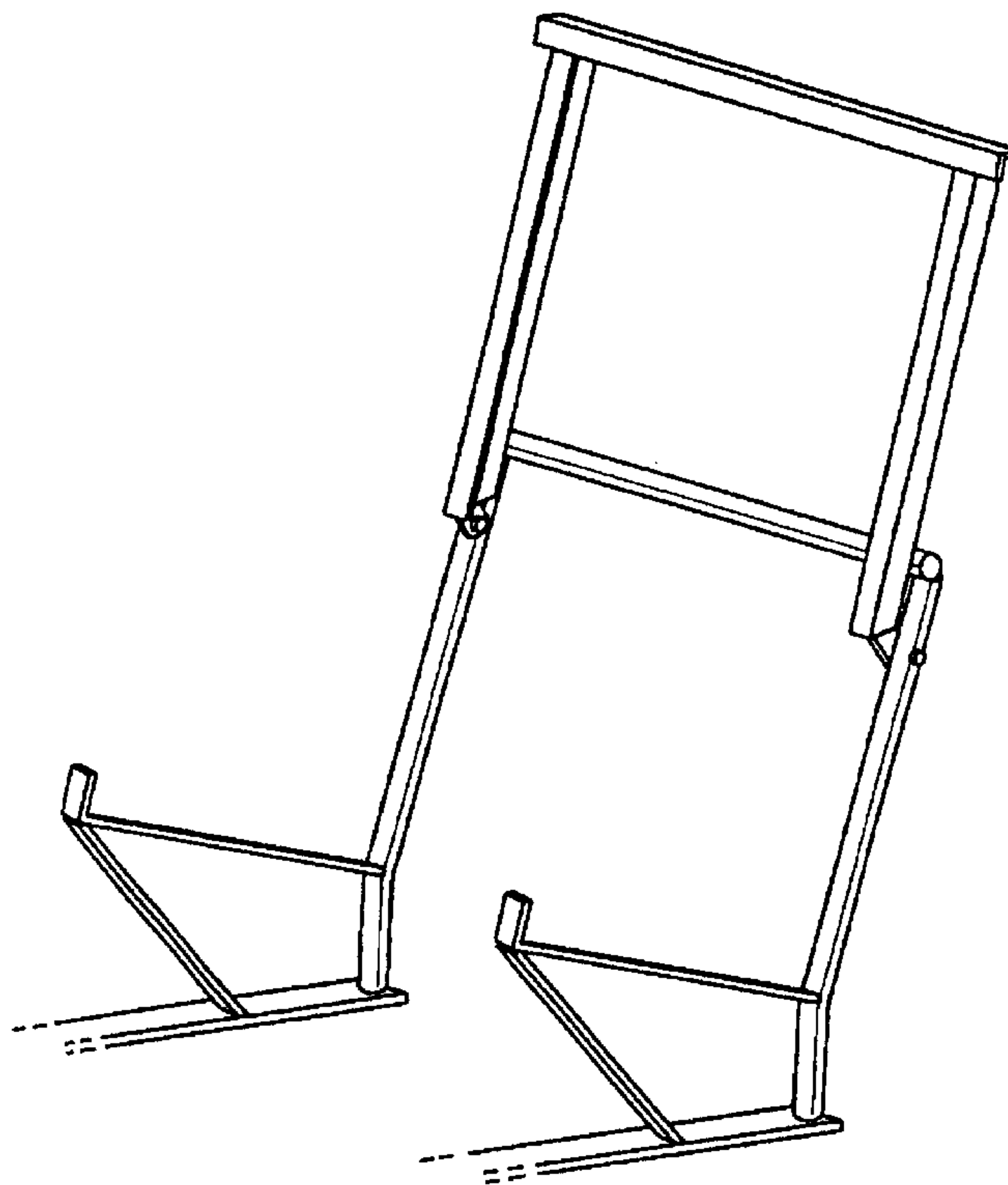
(57) **CLAIM**

The ornamental design for a handle for a tugging cart, as shown and described.

DESCRIPTION

FIG. 1 is an isometric view for a handle for a tugging cart in accordance with the present invention; FIG. 2 is a front elevational view of the handle of FIG. 1; FIG. 3 is a side elevational view of the handle of FIG. 1; FIG. 4 is a rear elevational view of the handle of FIG. 1; FIG. 5 is a top plan view of the handle of FIG. 1; and FIG. 6 is a bottom plan view of the handle of FIG. 1. The broken line shown in FIGS. 1, 2, 3, 5 and 6 is to show indefinite length.

1 Claim, 3 Drawing Sheets



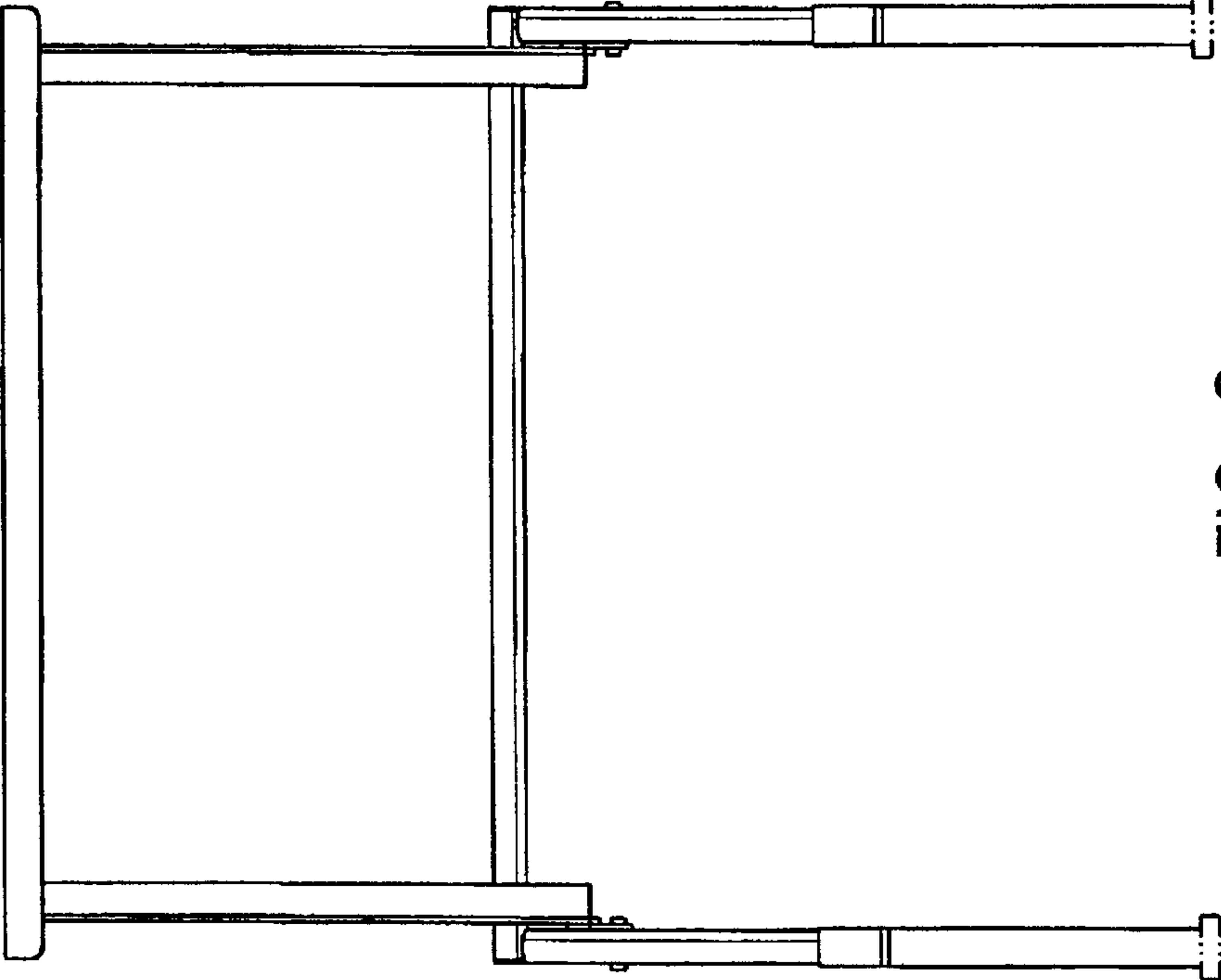


FIG. 2

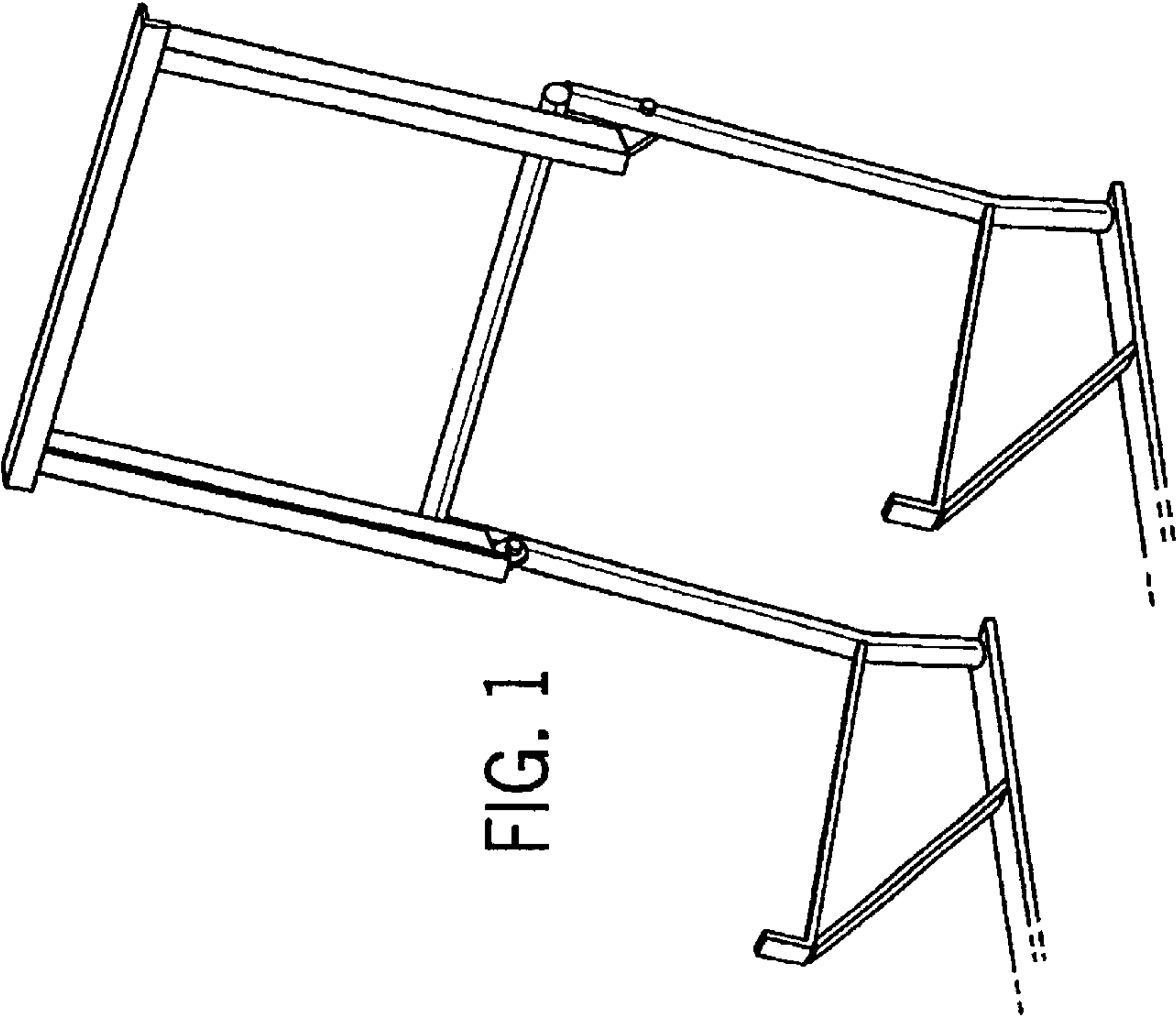


FIG. 1

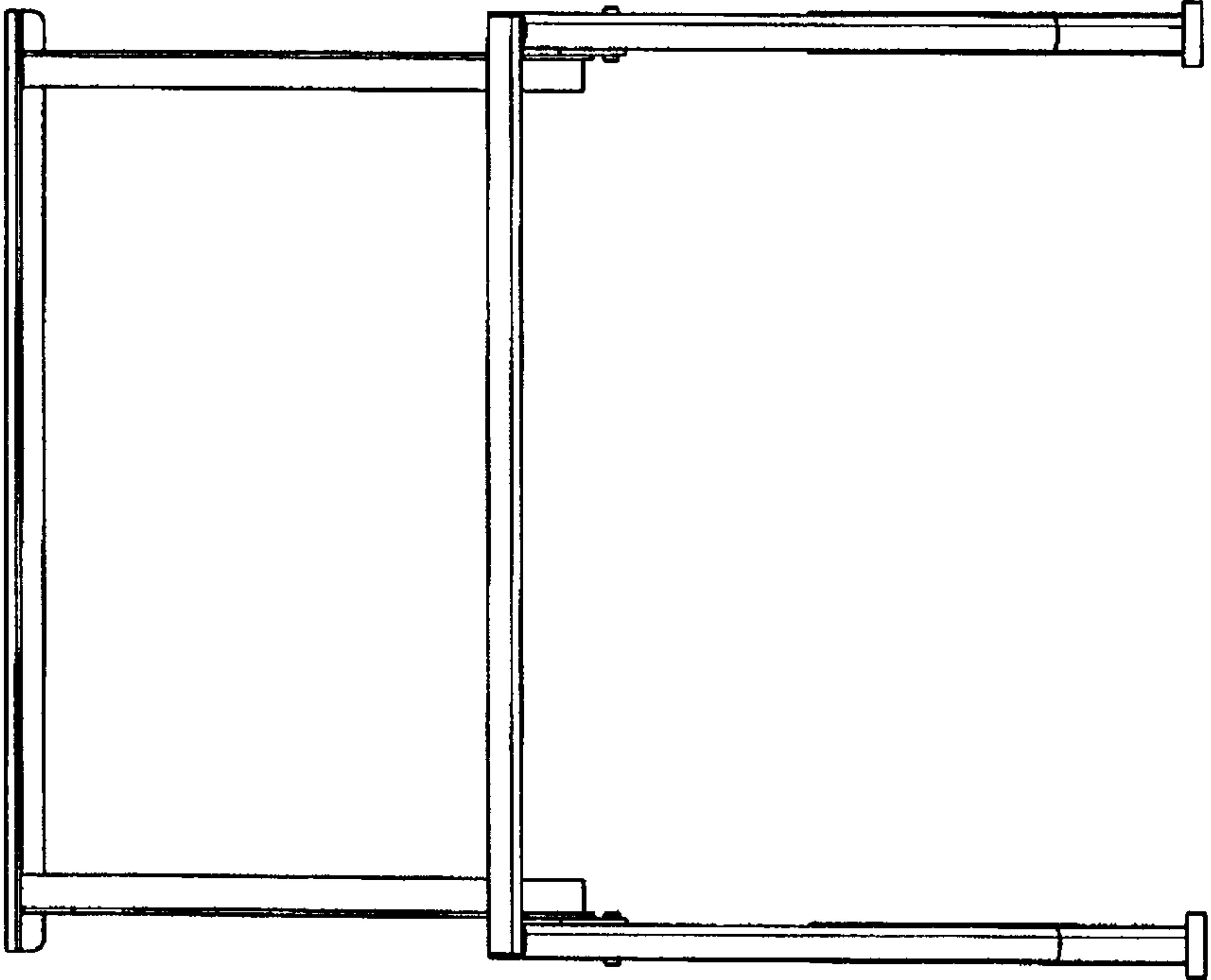


FIG. 4

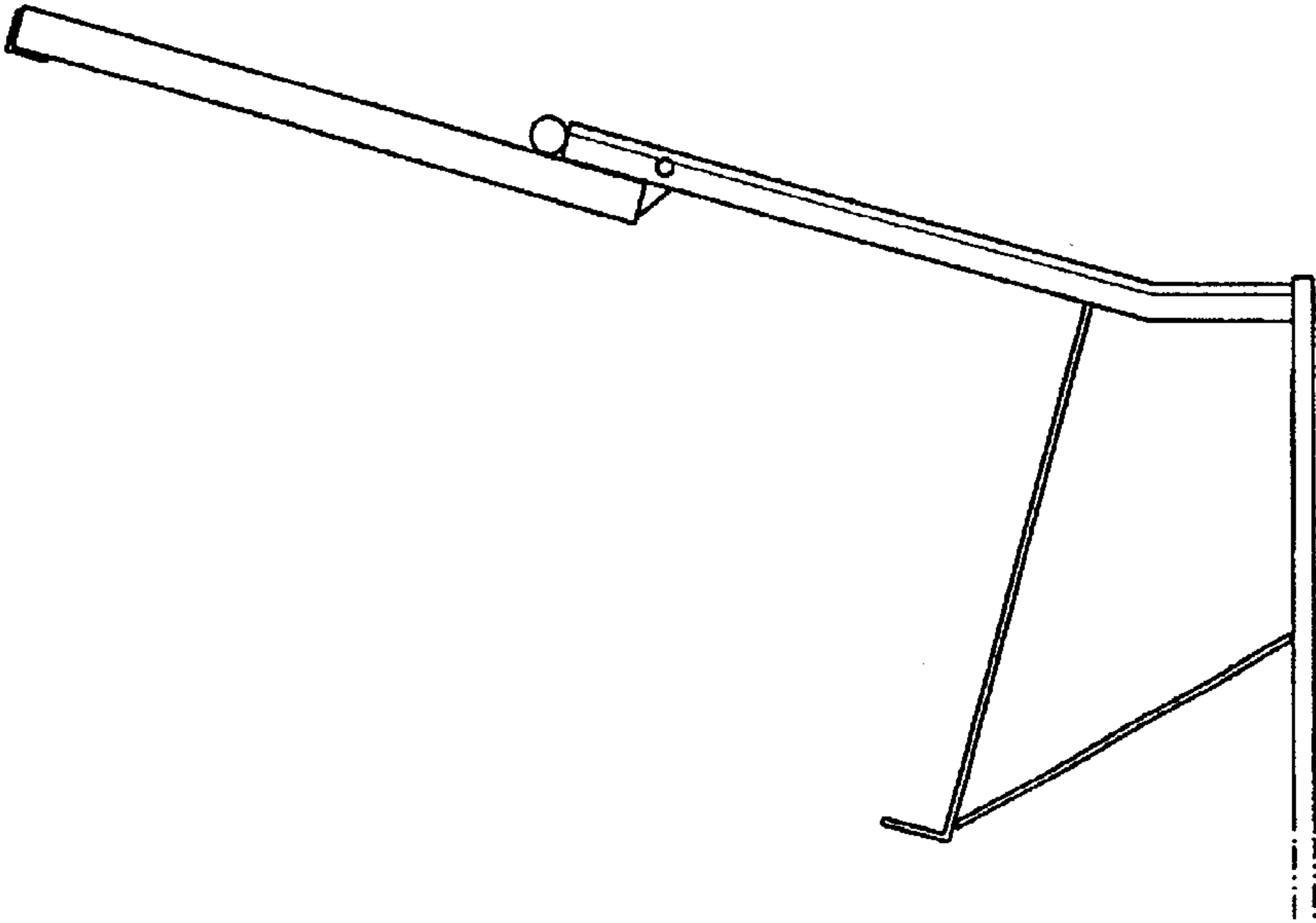


FIG. 3

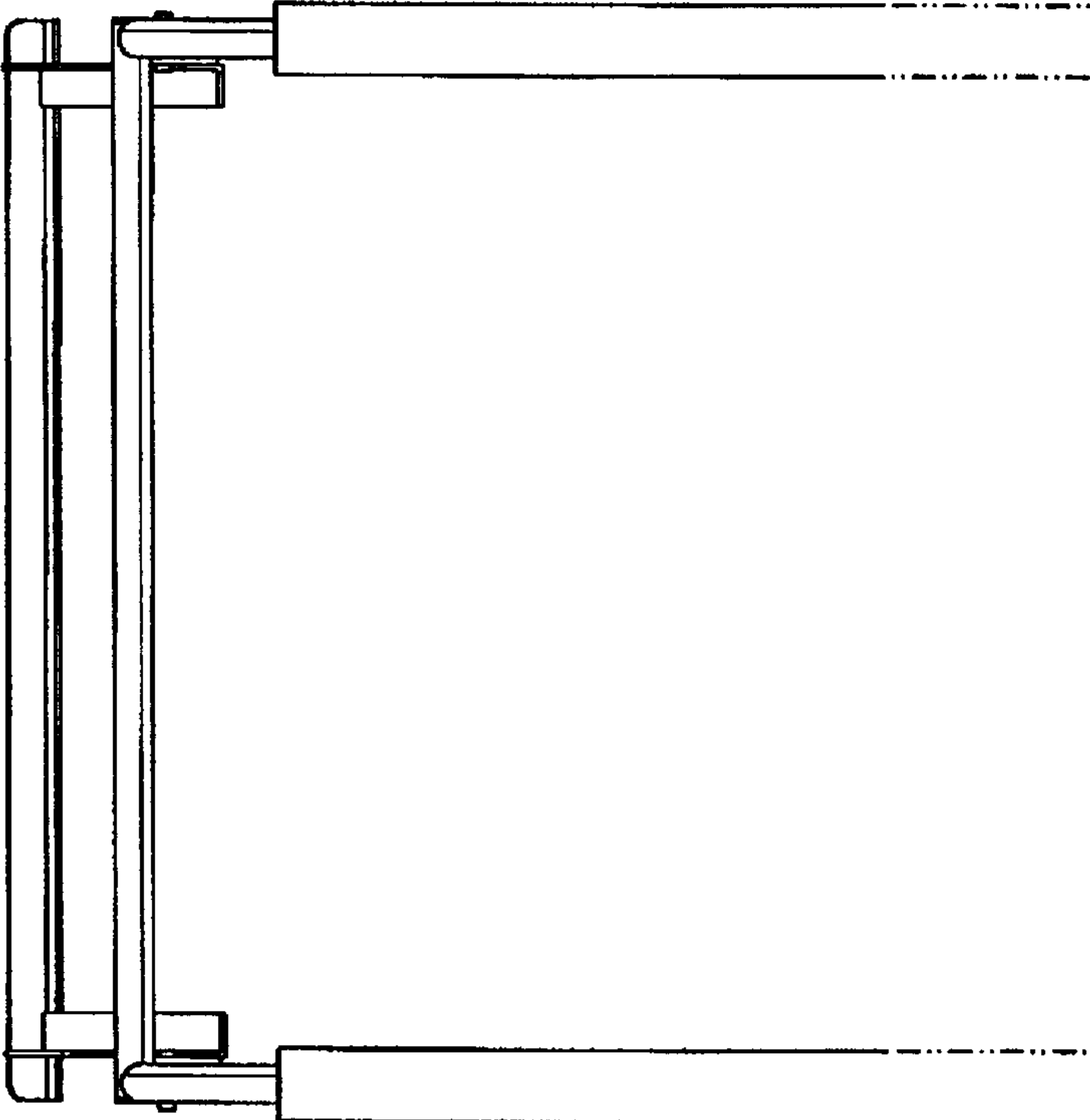


FIG. 5

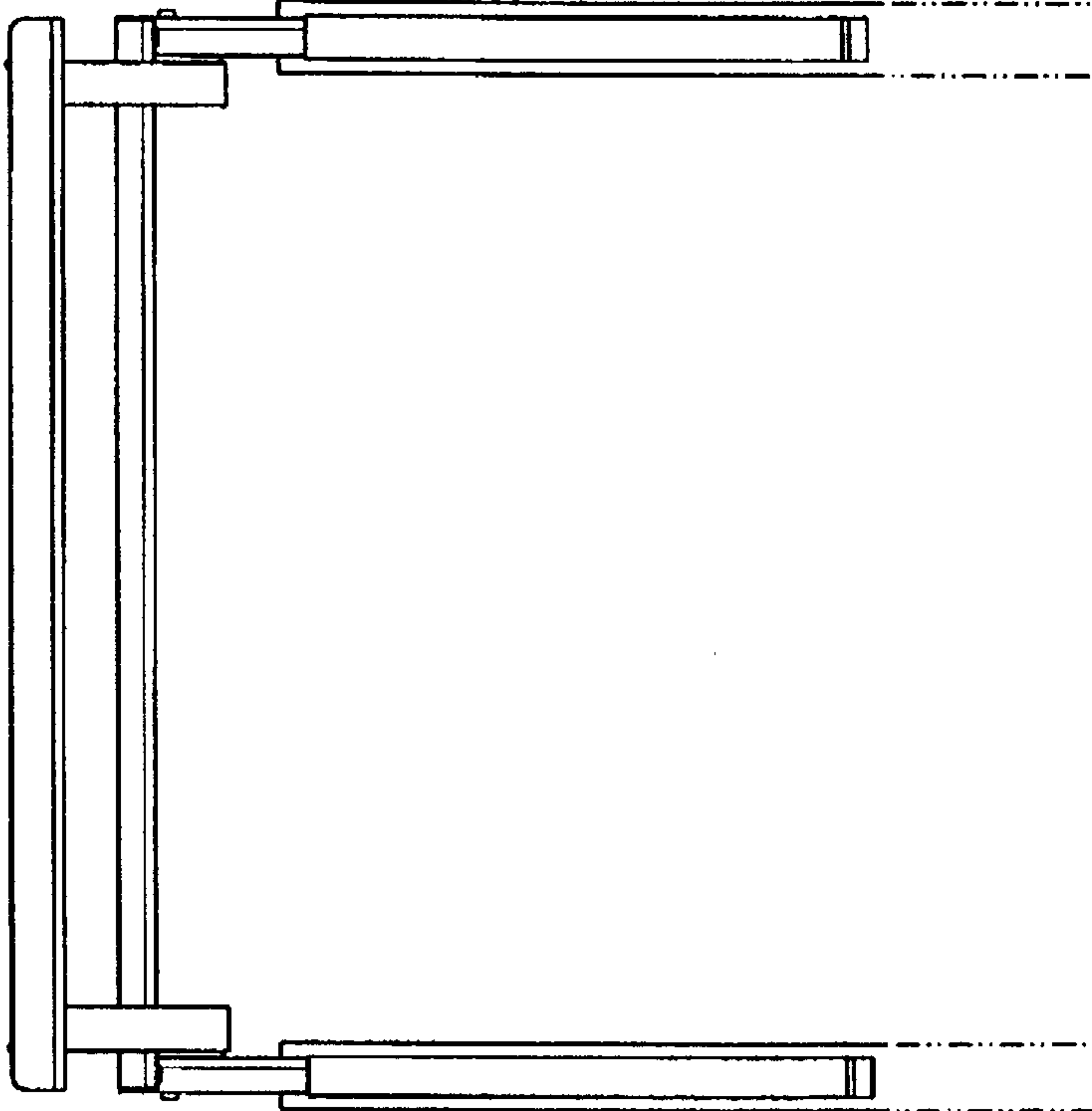


FIG. 6