



US00D511870S

(12) **United States Design Patent**
Paik

(10) **Patent No.:** **US D511,870 S**

(45) **Date of Patent:** **** Nov. 22, 2005**

(54) **DISH-WASHING MACHINE**

D493,580 S * 7/2004 Ott et al. D32/3

(75) **Inventor:** **Seung Hwa Paik, Seoul (KR)**

* cited by examiner

(73) **Assignee:** **LG Electronics Inc., Seoul (KR)**

Primary Examiner—Robert A. Delehanty

(**) **Term:** **14 Years**

(74) *Attorney, Agent, or Firm*—Birch Stewart Kolasch & Birch

(21) **Appl. No.:** **29/216,679**

(57) **CLAIM**

(22) **Filed:** **Nov. 8, 2004**

The ornamental design for a dish-washing machine, as shown and described.

(30) **Foreign Application Priority Data**

DESCRIPTION

Jul. 27, 2004 (KR) 30-2004-0022867

(51) **LOC (8) Cl.** **15-05**

FIG. 1 is a perspective view of a dish-washing machine showing my new design;

(52) **U.S. Cl.** **D32/2**

FIG. 2 is a front view thereof;

(58) **Field of Search** D32/2-3, 28; D7/348-349, D7/405-406; 134/113, 201; 312/31

FIG. 3 is a rear view thereof;

FIG. 4 is a left side view thereof where the right side view is a mirror image;

(56) **References Cited**

FIG. 5 is a top plan view thereof; and,

FIG. 6 is a bottom plan view thereof.

U.S. PATENT DOCUMENTS

D493,016 S * 7/2004 Kaczmarek D32/3

1 Claim, 6 Drawing Sheets

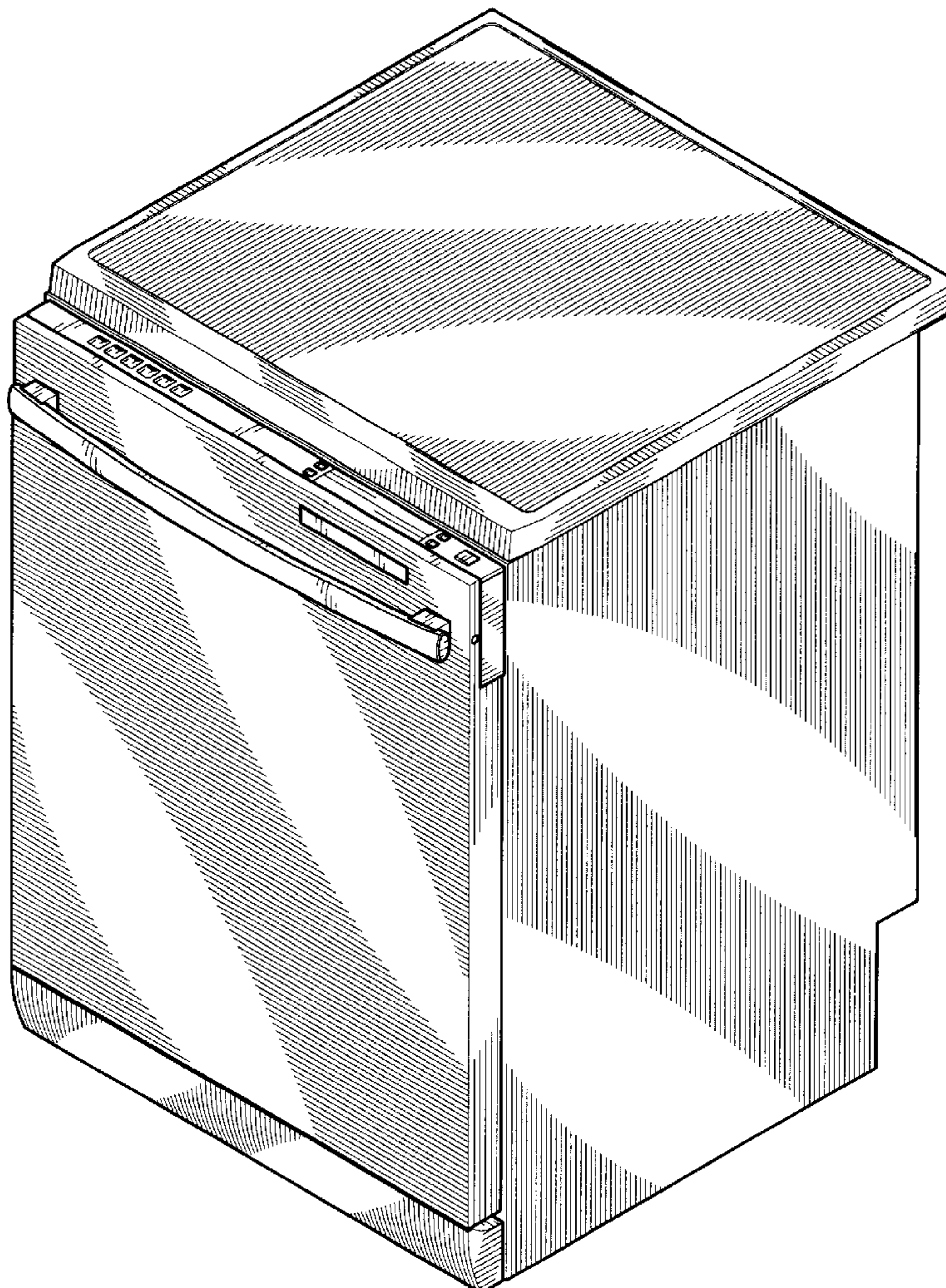


FIG. 1

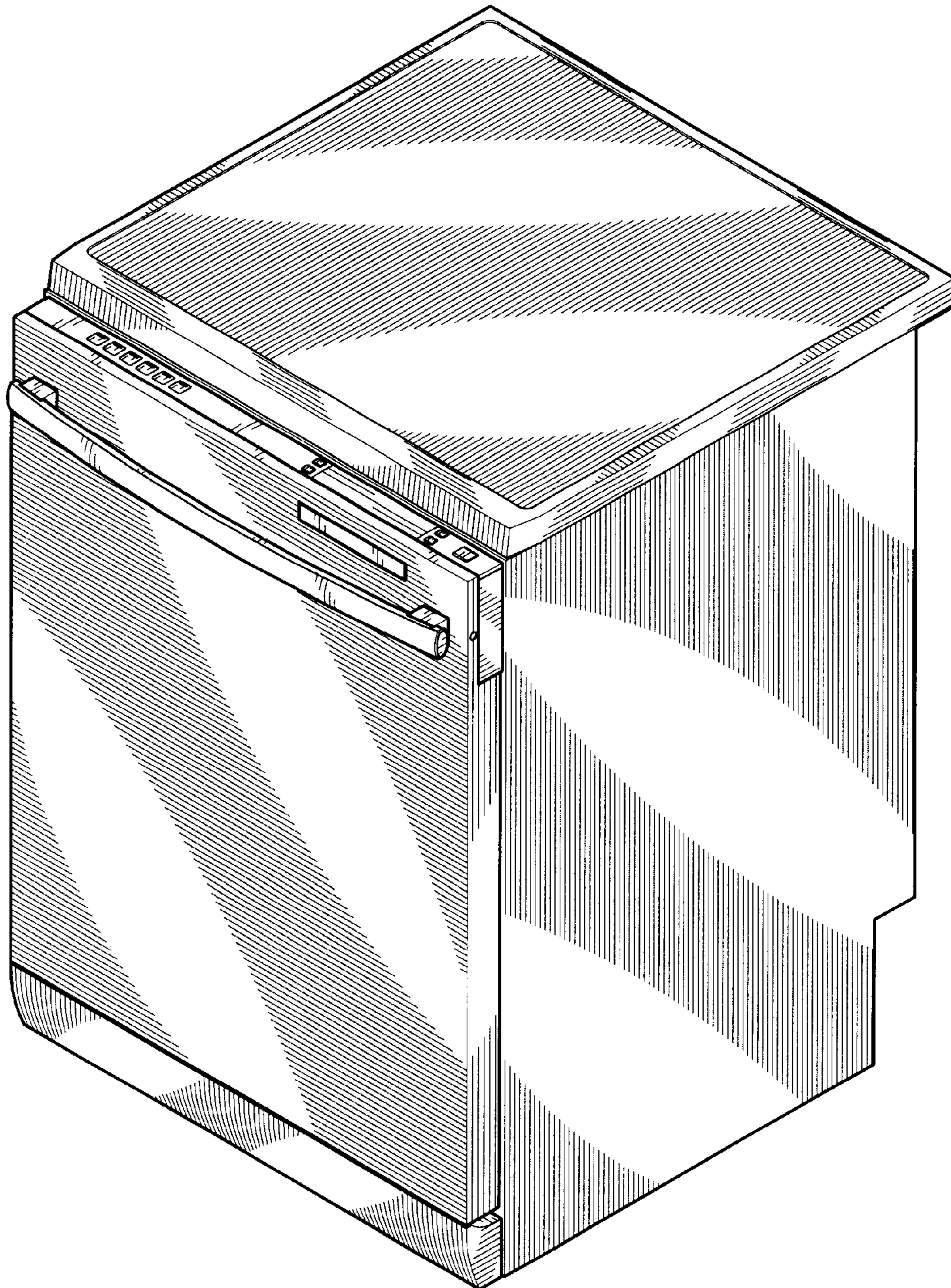


FIG. 2

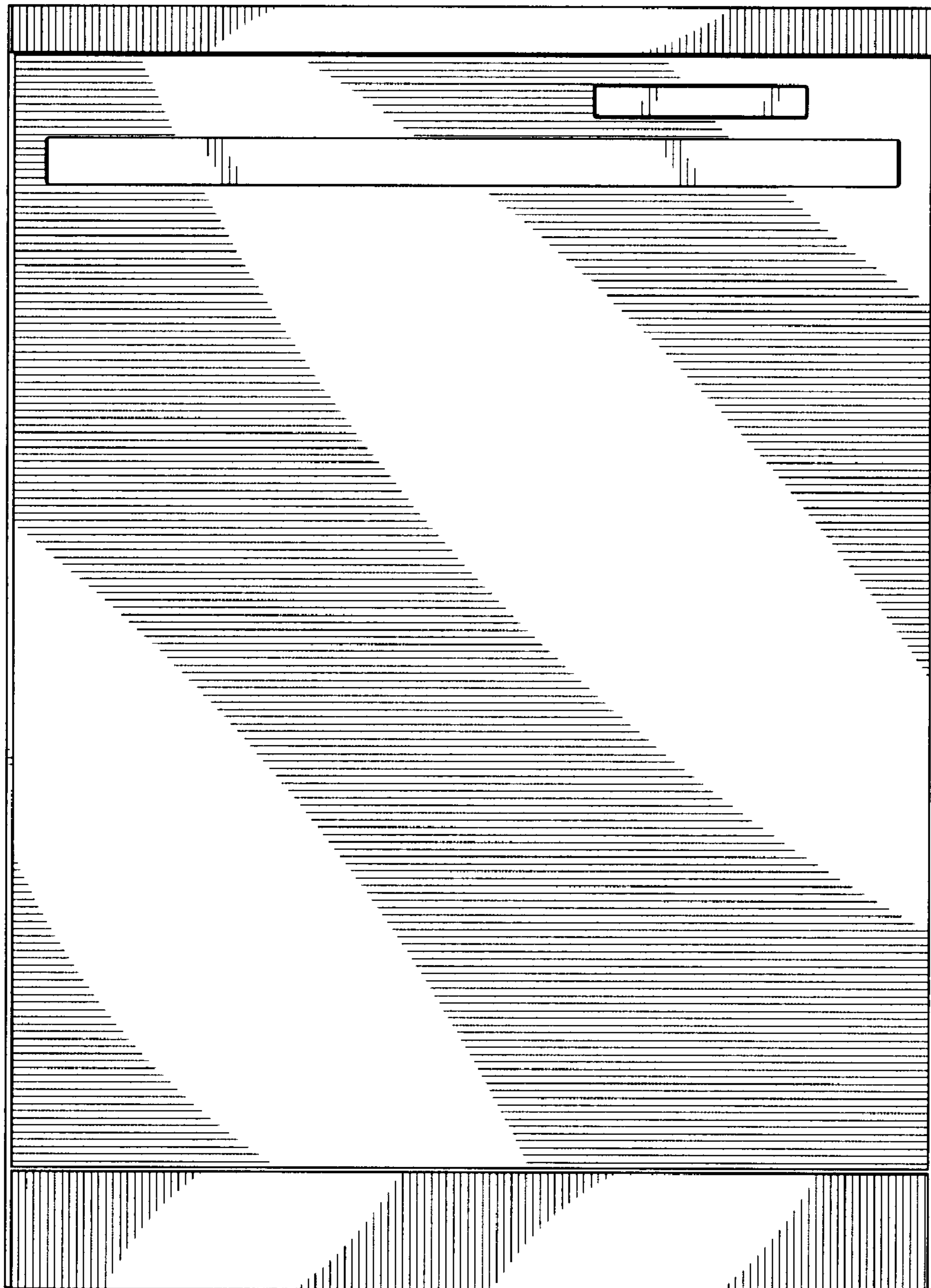


FIG. 3

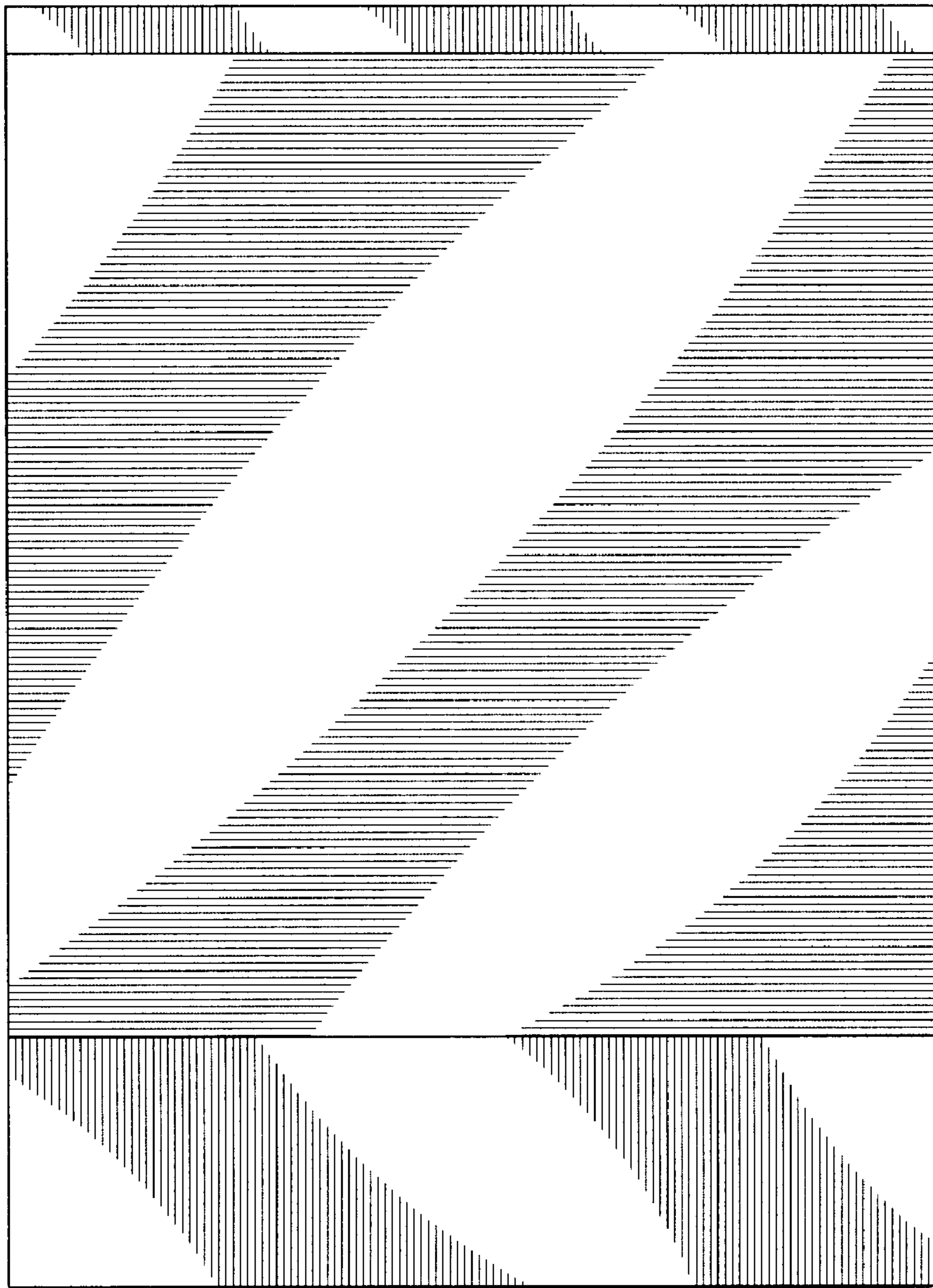


FIG. 4

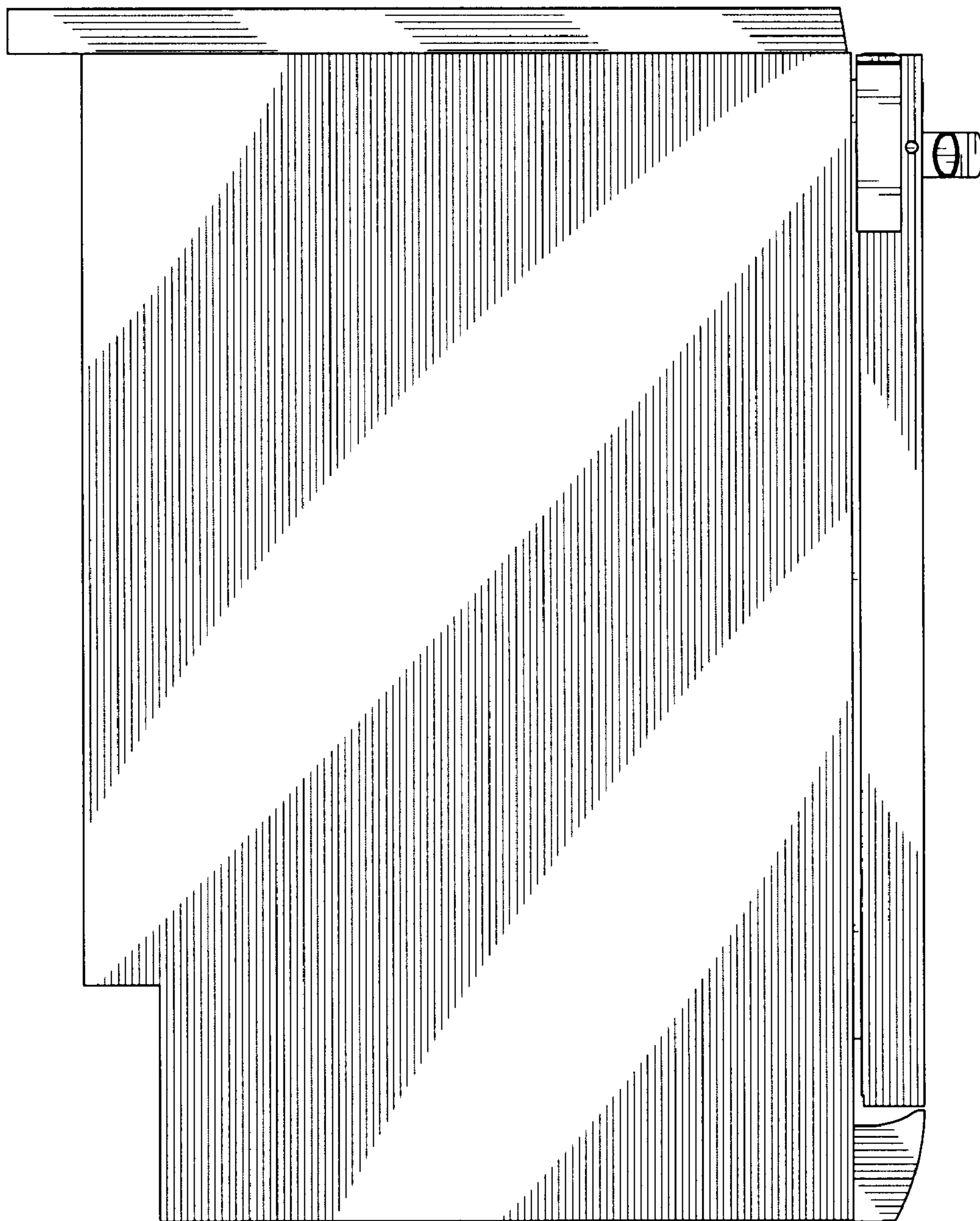


FIG. 5

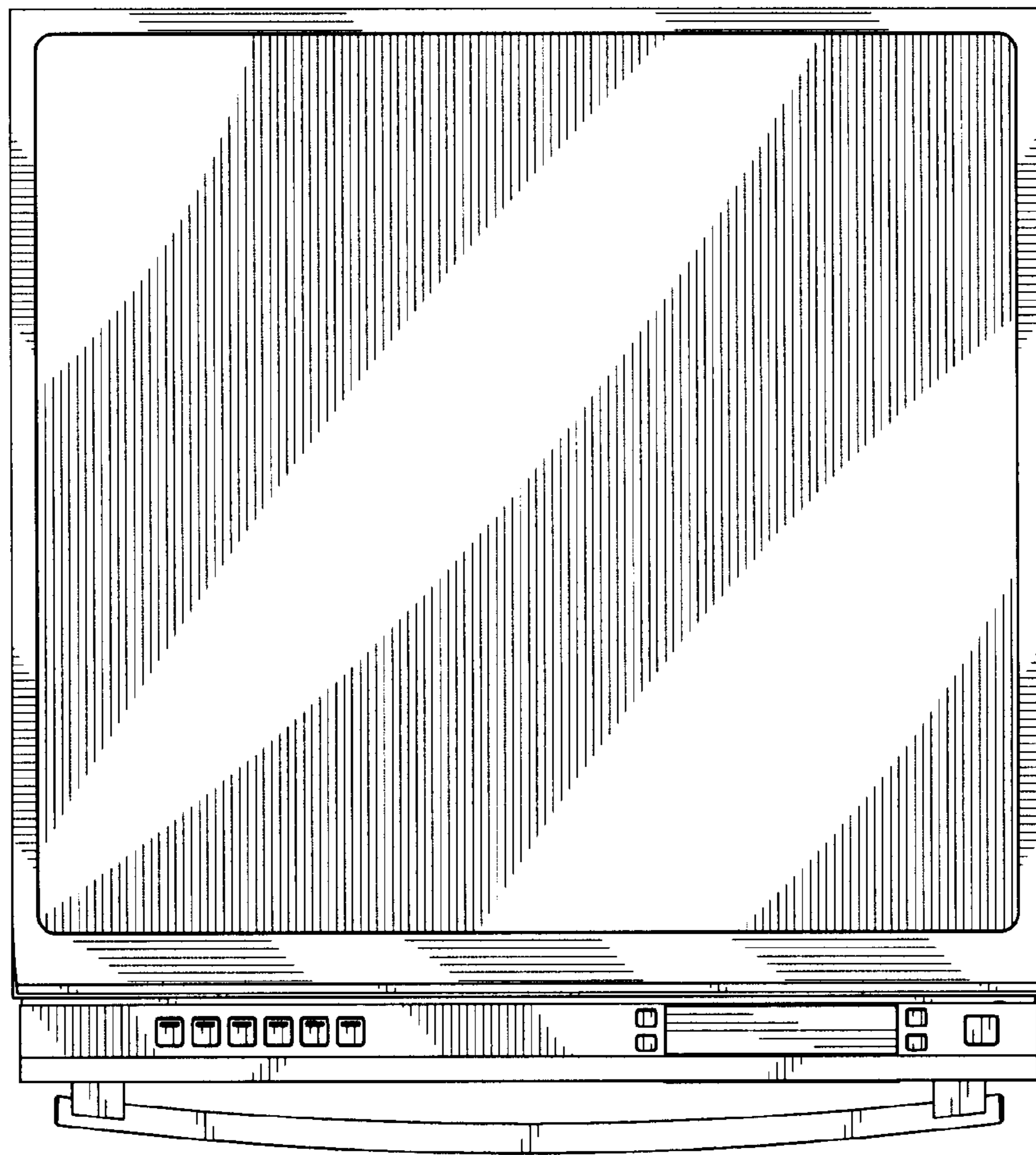


FIG. 6

