



US00D511866S

(12) **United States Design Patent**  
**Lundstrom et al.**

(10) **Patent No.: US D511,866 S**

(45) **Date of Patent: \*\* Nov. 22, 2005**

(54) **BIRD FEEDER WITH GRIDWORK**

4,896,628 A \* 1/1990 Kadunce ..... 119/52.2  
D324,436 S \* 3/1992 Embree ..... D30/127  
D326,003 S \* 5/1992 Embree ..... D30/128  
D428,537 S \* 7/2000 Miller ..... D30/124

(75) Inventors: **Ronald L. Lundstrom**, Cherry Valley,  
IL (US); **Alfred F. Burlini**, Grayslake,  
IL (US)

\* cited by examiner

(73) Assignee: **Century Tool & Manufacturing  
Company, Inc.**, Cherry Valley, IL (US)

*Primary Examiner*—Alan P. Douglas

*Assistant Examiner*—Susan M Lee

(74) *Attorney, Agent, or Firm*—Kenneth J. Hovet

(\*\*) Term: **14 Years**

(57) **CLAIM**

(21) Appl. No.: **29/206,846**

The ornamental design for a bird feeder with gridwork, as shown and described.

(22) Filed: **Jun. 2, 2004**

**DESCRIPTION**

(51) **LOC (8) Cl.** ..... **30-03**

(52) **U.S. Cl.** ..... **D30/124; D30/128**

(58) **Field of Search** ..... D30/121, 124–28,  
D30/110, 115, 117, 119; 119/51.01, 57.8,  
53, 428–29, 433–35, 469

FIG. 1 is a front elevational view of a tubular bird feeder showing our new design, with the back side elevational view being identical thereto;

FIG. 2 is a right side elevational view thereof, with the left side elevational view being identical thereto;

FIG. 3 is a top plan view thereof; and,

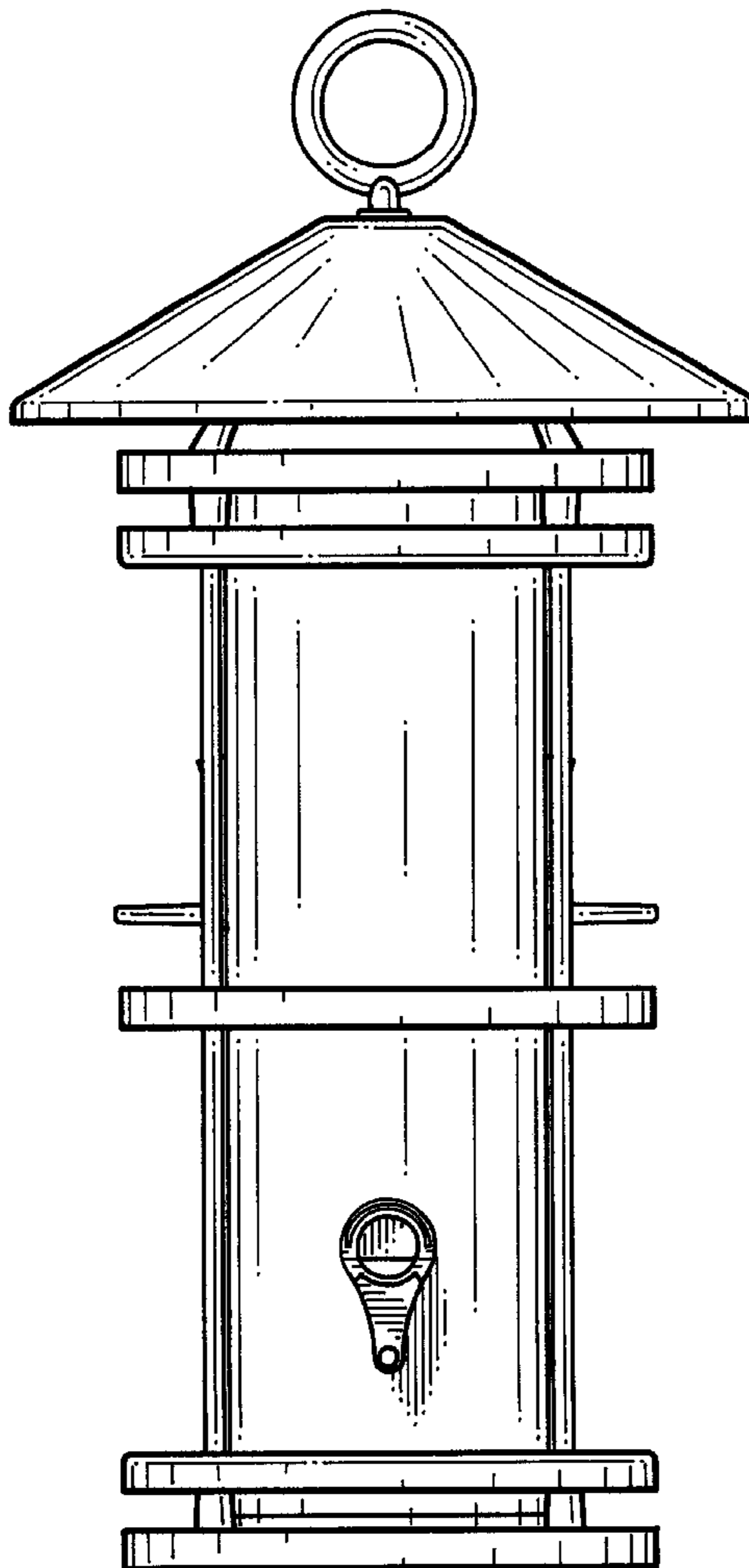
FIG. 4 is a bottom plan view thereof.

(56) **References Cited**

**U.S. PATENT DOCUMENTS**

4,327,669 A \* 5/1982 Blasbalg ..... 119/57.8

**1 Claim, 3 Drawing Sheets**



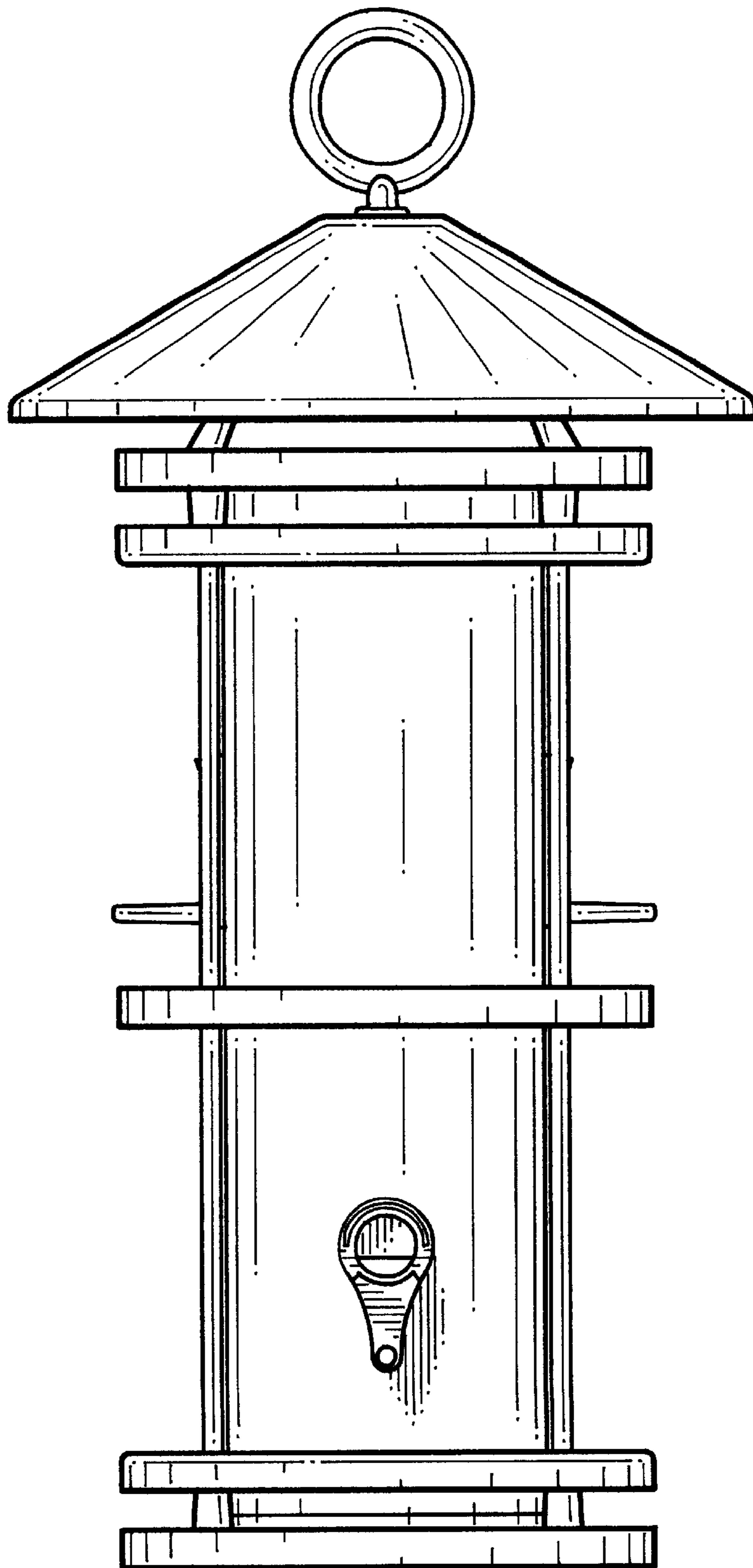


FIG. 1

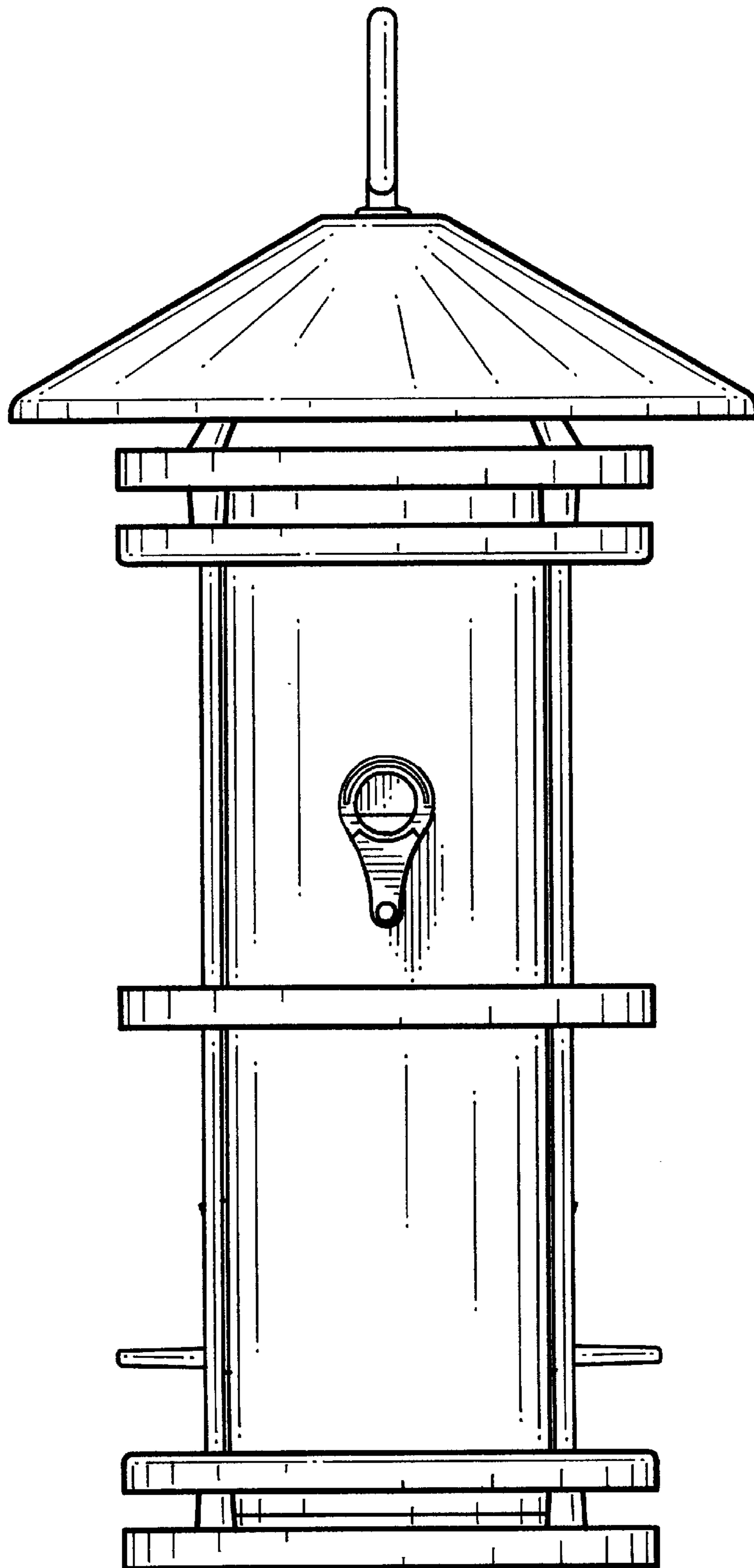


FIG. 2

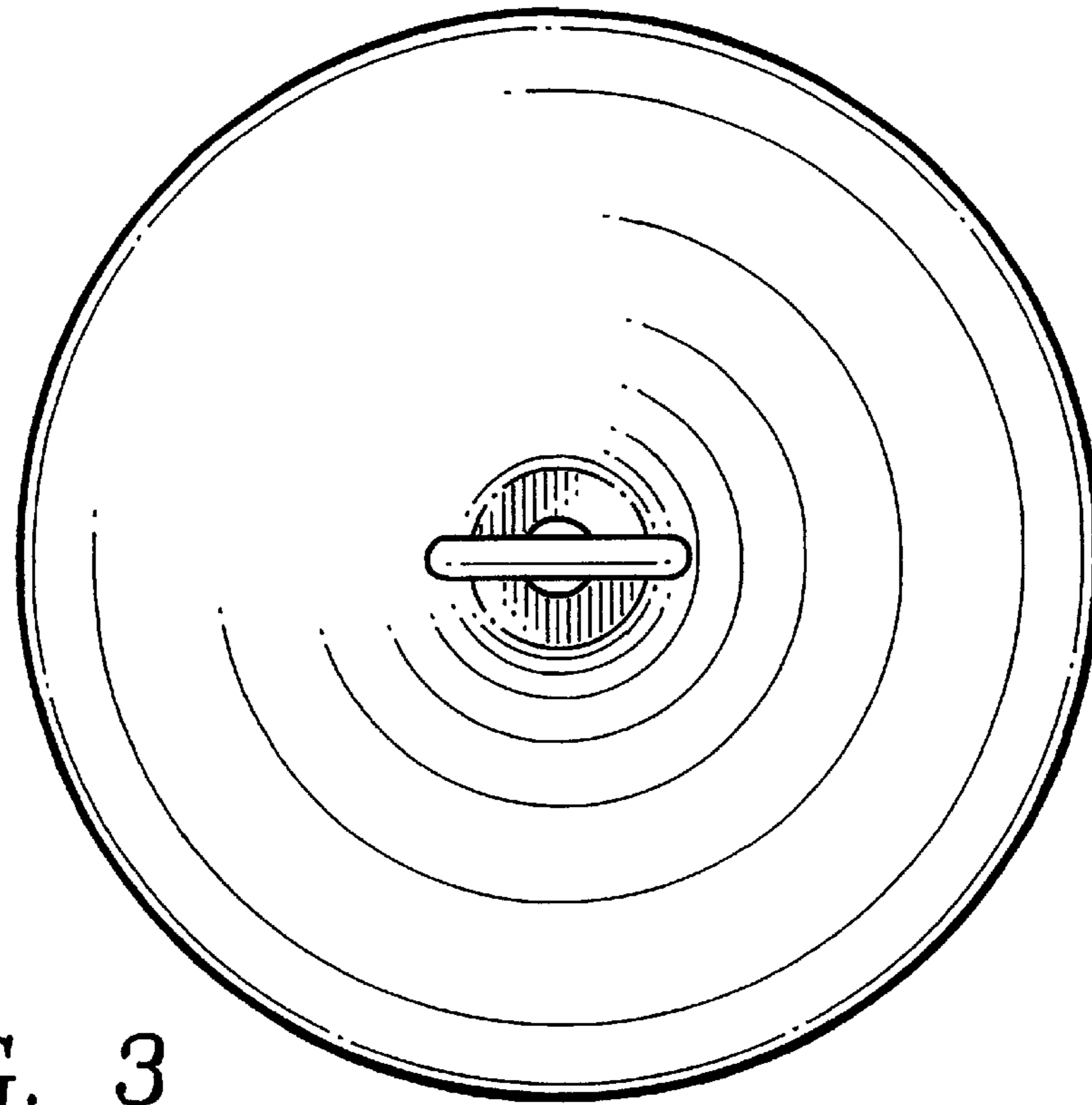


FIG. 3

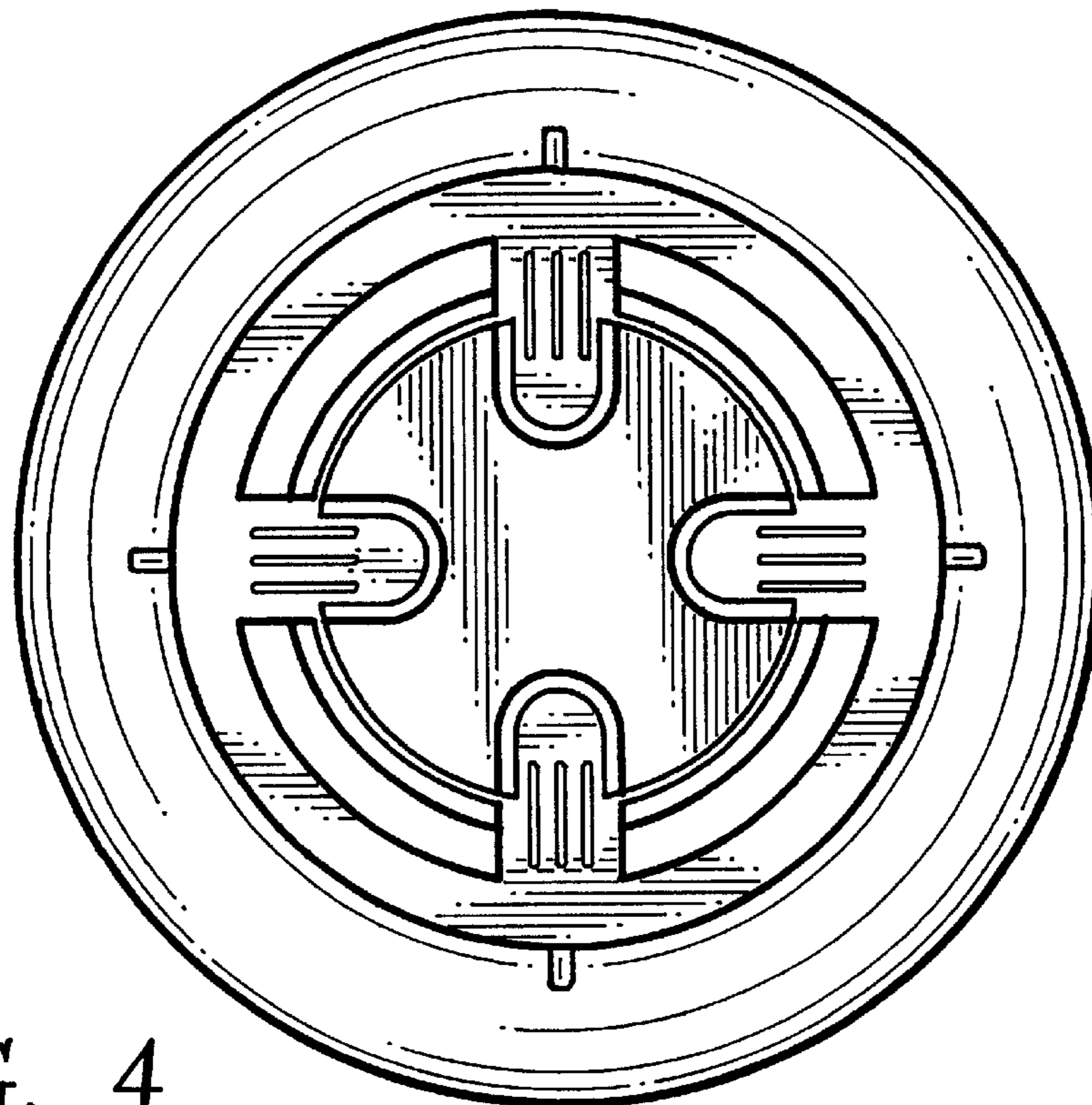


FIG. 4