



US00D511863S

(12) **United States Design Patent**
Lau

(10) **Patent No.:** **US D511,863 S**

(45) **Date of Patent:** **** Nov. 22, 2005**

(54) **BARRETTE**

(75) **Inventor:** **Janet M. Lau**, Union City, CA (US)

(73) **Assignee:** **Visonmax, Inc.**, City of Industry, CA (US)

(**) **Term:** **14 Years**

(21) **Appl. No.:** **29/216,900**

(22) **Filed:** **Nov. 10, 2004**

(51) **LOC (8) Cl.** **28-03**

(52) **U.S. Cl.** **D28/42**

(58) **Field of Search** D28/39-43; 132/273-284;
D8/394, 395; D11/202, 215; 24/532, 506,
517, 30.5 R

(56) **References Cited**

U.S. PATENT DOCUMENTS

442,222 A	*	12/1890	Gunderson	24/67.1
1,381,216 A	*	6/1921	Muscente	24/543
1,443,443 A	*	1/1923	Tanner	132/278
1,488,864 A	*	4/1924	Canaday	24/30.5 R
1,589,228 A	*	6/1926	Robb	24/532
1,753,254 A	*	4/1930	Thaxton	24/30.5 R
1,788,835 A	*	1/1931	Hurst	132/259
2,597,254 A	*	5/1952	Meohas	132/279

2,813,533 A	*	11/1957	Fay	132/279
5,477,870 A	*	12/1995	Menaged	132/279
5,666,982 A	*	9/1997	Pignon	132/279
6,019,107 A	*	2/2000	Overmyer et al.	132/53
6,095,155 A	*	8/2000	Criscuolo	132/278
6,257,251 B1	*	7/2001	Burleson et al.	132/279

* cited by examiner

Primary Examiner—Lucy Lieberman

(74) *Attorney, Agent, or Firm*—Jeffer, Mangels, Butler, & Marmaro LLP

(57) **CLAIM**

The ornamental design for a barrette, as shown and described.

DESCRIPTION

FIG. 1 is a perspective view of a barrette showing my new design;

FIG. 2 is a side view thereof;

FIG. 3 is a top view thereof;

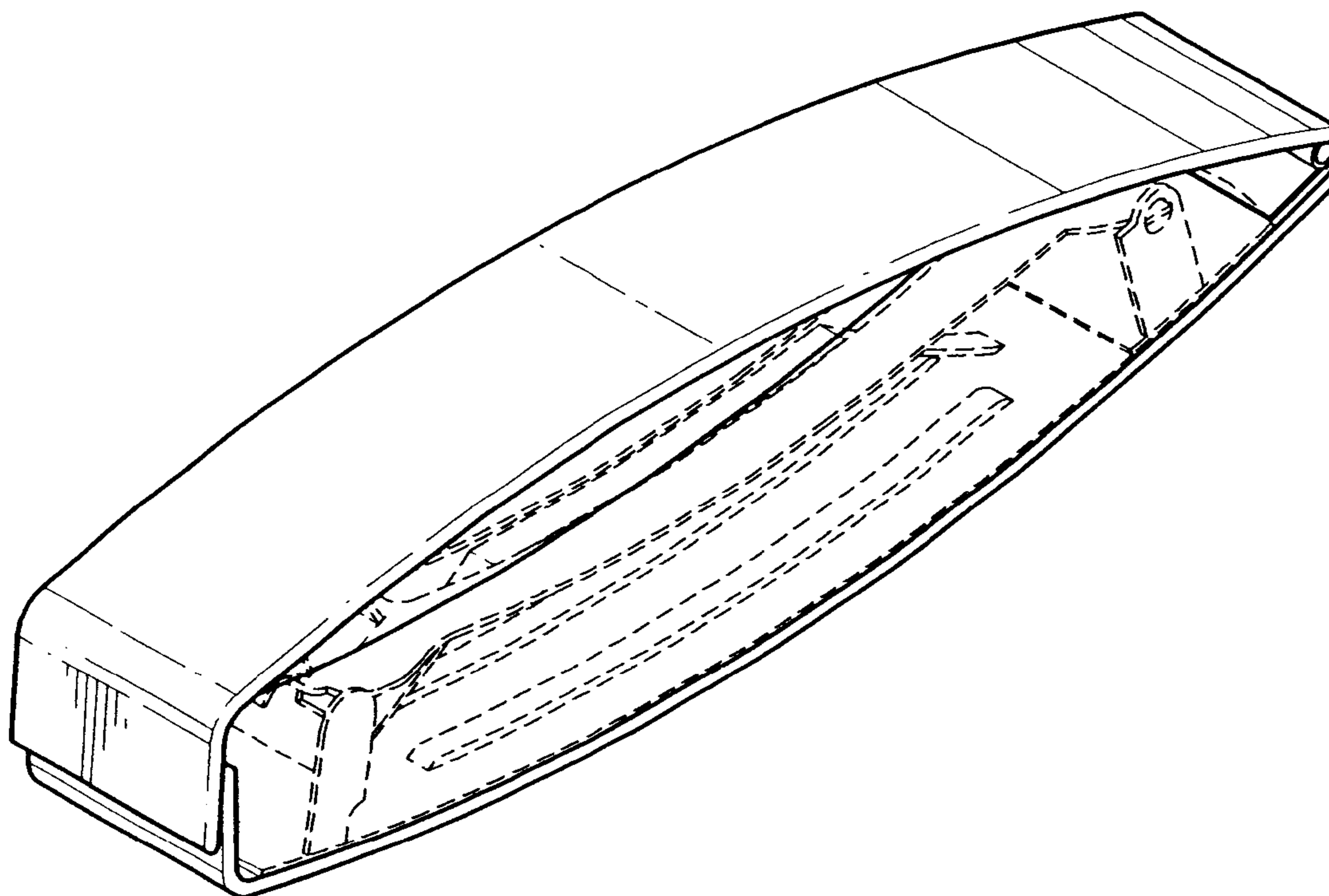
FIG. 4 is a bottom view thereof;

FIG. 5 is a front view thereof; and,

FIG. 6 is a back view of the invention.

The broken lines shown in FIGS. 1 and 2 are for illustrative purposes only and do not form part of the claimed design.

1 Claim, 2 Drawing Sheets



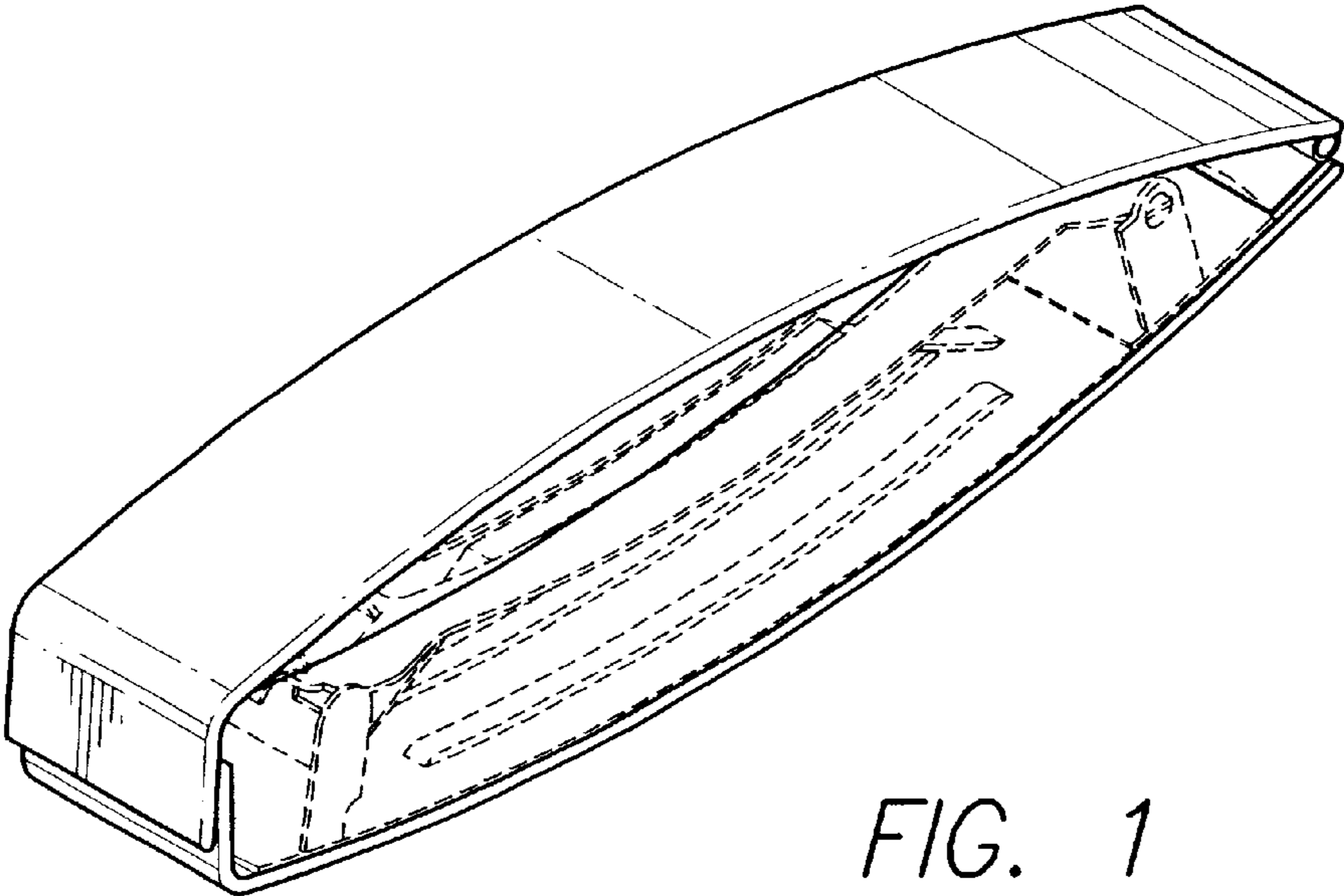


FIG. 1

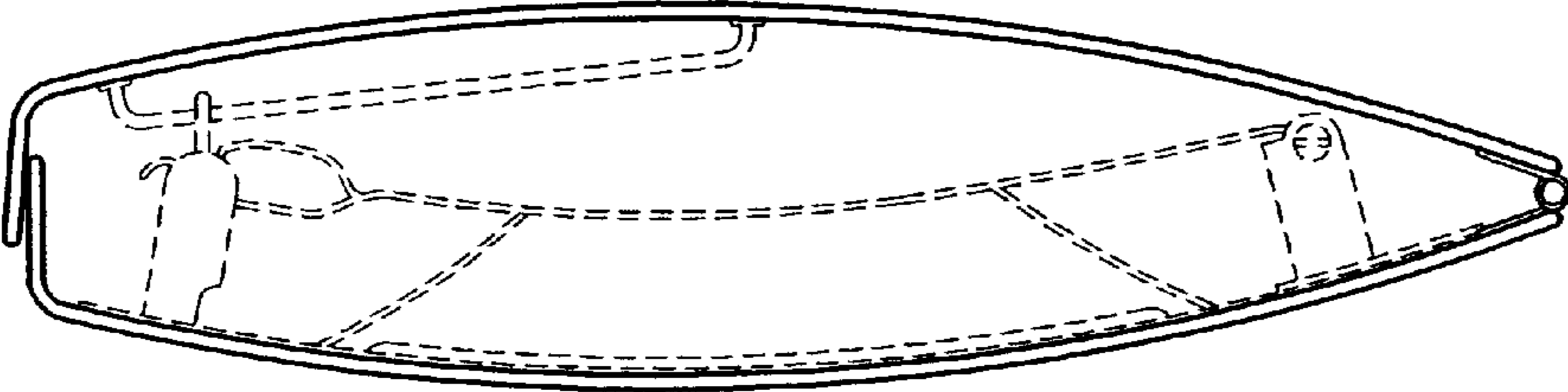


FIG. 2

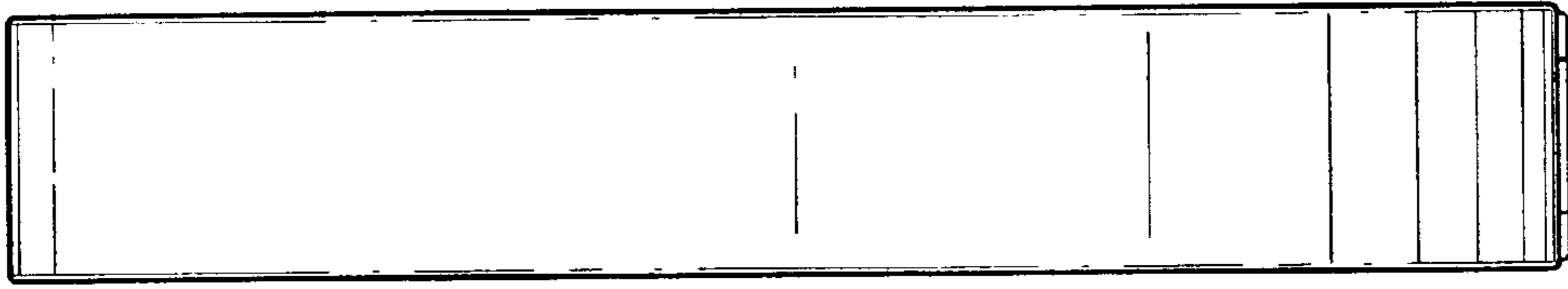


FIG. 3

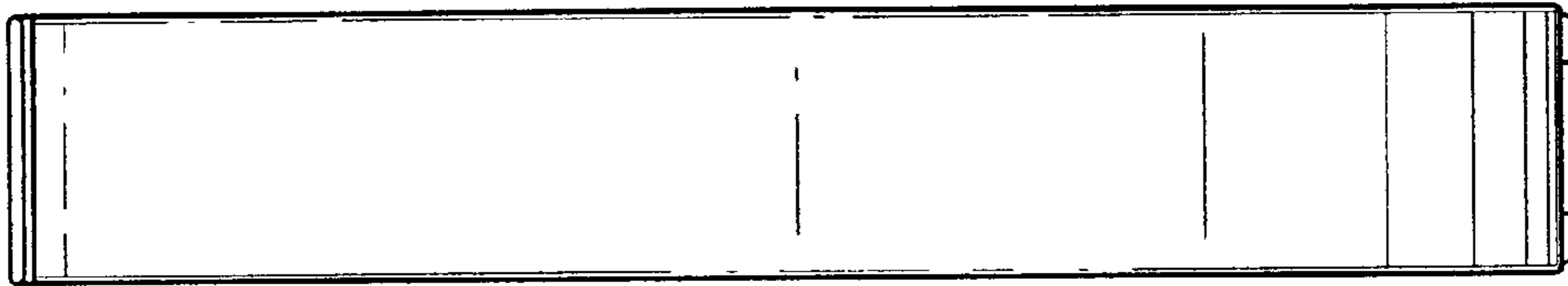


FIG. 4

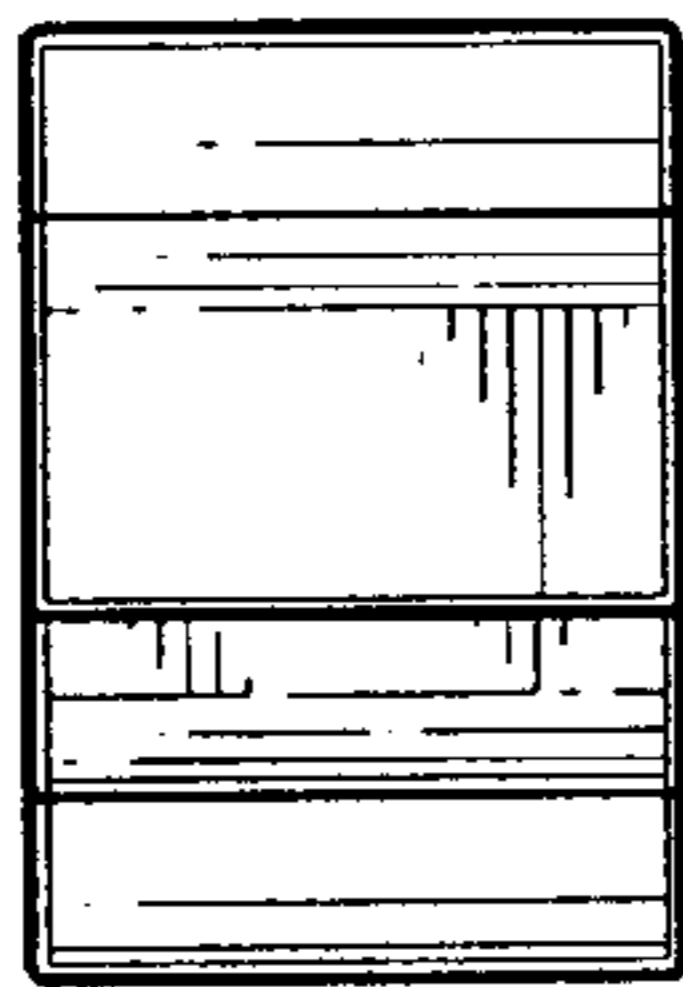


FIG. 5

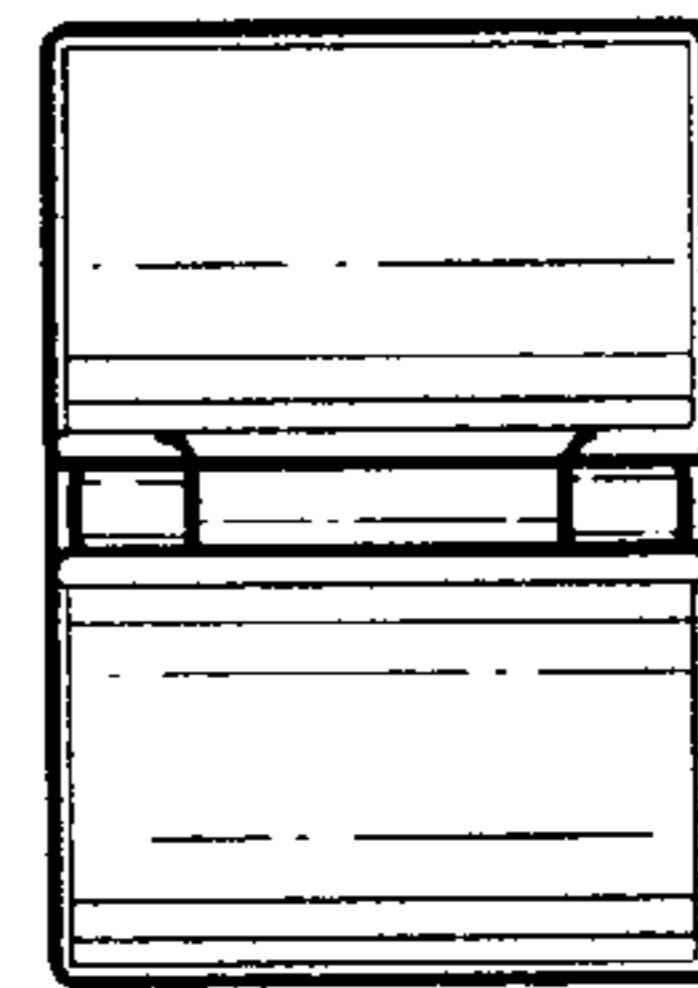


FIG. 6