



US00D511862S

(12) **United States Design Patent**
Chan

(10) **Patent No.:** **US D511,862 S**
(45) **Date of Patent:** **** Nov. 22, 2005**

(54) **HAIR STYLING APPARATUS**

(75) Inventor: **Wing-Kin Chan**, Hong Kong SAR
(CN)

(73) Assignee: **Dickson Industrial Co., Ltd.**, Kowloon
(HK)

(**) Term: **14 Years**

(21) Appl. No.: **29/222,475**

(22) Filed: **Feb. 1, 2005**

(51) **LOC (8) Cl.** **28-03**

(52) **U.S. Cl.** **D28/35**

(58) **Field of Search** D28/35-37; 219/222,
219/225, 226; 132/223-226, 229, 232, 269,
271

(56) **References Cited**

U.S. PATENT DOCUMENTS

D480,836 S * 10/2003 Kaizuka D28/35
D501,275 S * 1/2005 Habibi D28/35
2004/0237990 A1 * 12/2004 Choi 132/224

* cited by examiner

Primary Examiner—Jennifer Rivard
(74) *Attorney, Agent, or Firm*—Burns, Doane, Swecker &
Mathis, L.L.P.

(57) **CLAIM**

The ornamental design for a “hair styling apparatus”, as shown and described.

DESCRIPTION

FIG. 1 is a right side view of a “hair styling apparatus” showing my design;

FIG. 2 is a left side view thereof;

FIG. 3 is a front view thereof;

FIG. 4 is a rear view thereof;

FIG. 5 is a top view thereof;

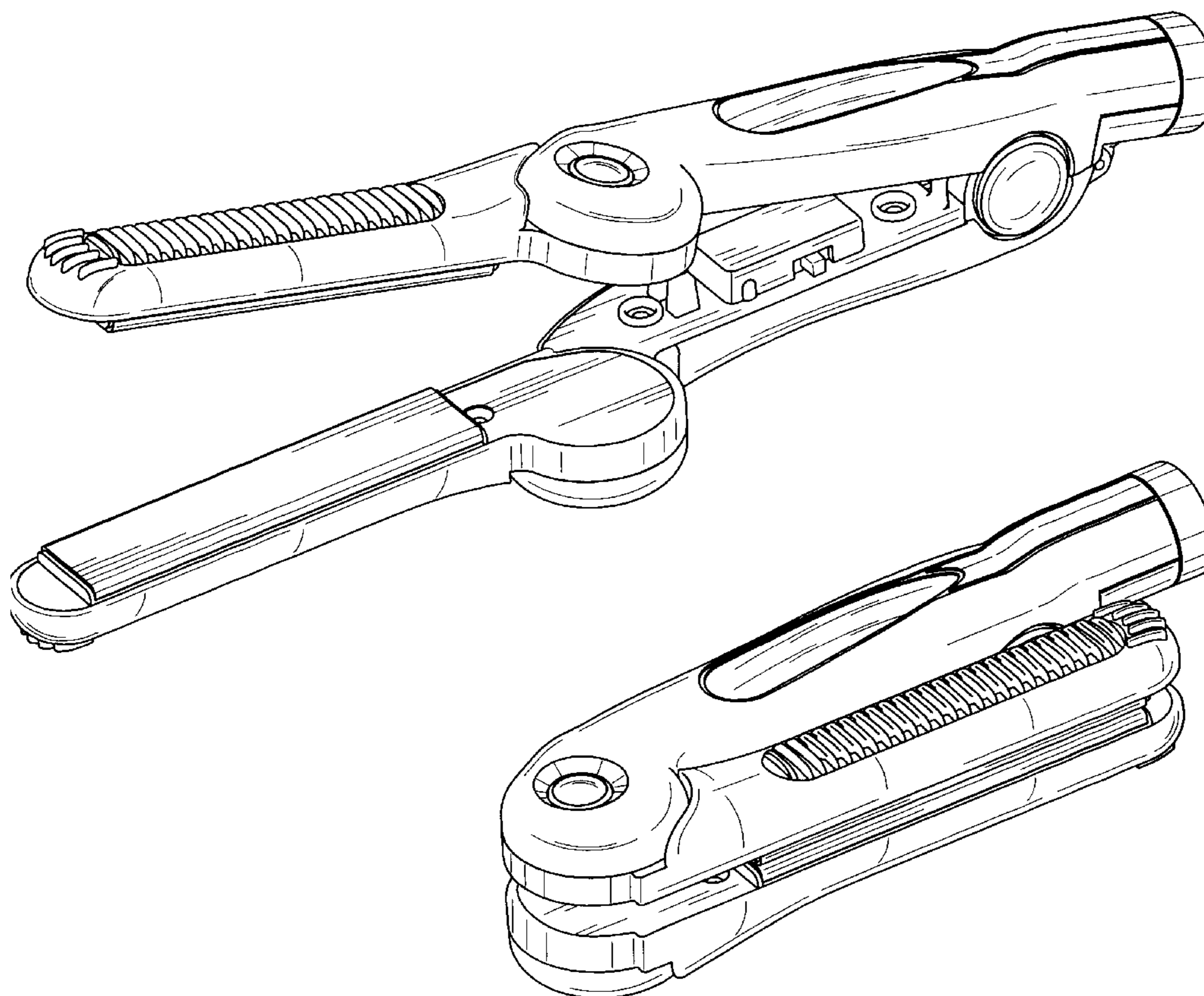
FIG. 6 is a bottom view thereof;

FIG. 7 is a perspective view thereof;

FIG. 8 is a perspective view in an open configuration thereof; and,

FIG. 9 is a perspective view in a folded configuration.

1 Claim, 4 Drawing Sheets



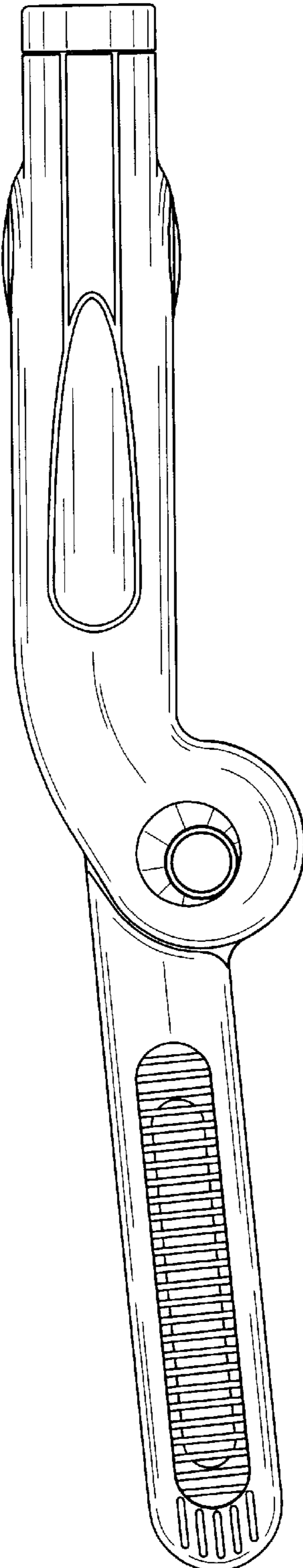


Fig. 1

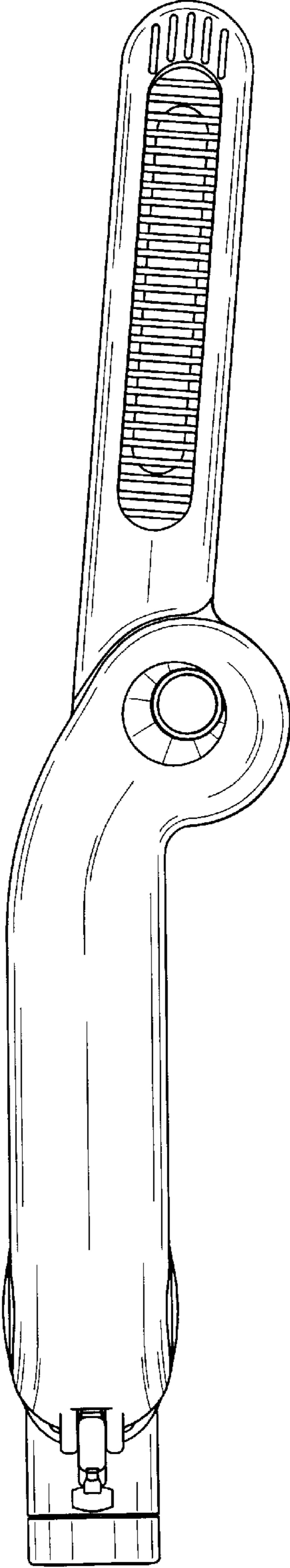


Fig. 2

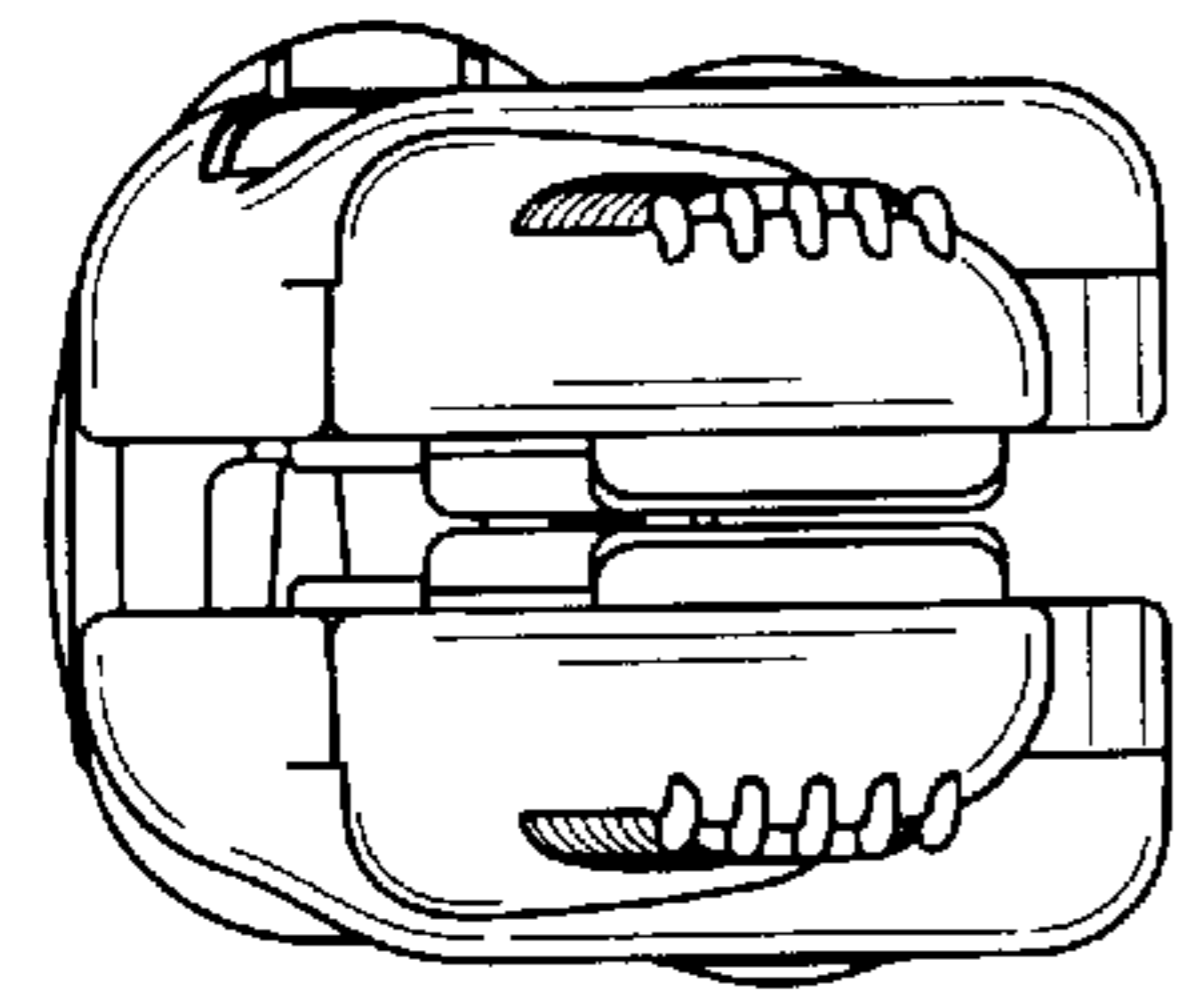


Fig. 3

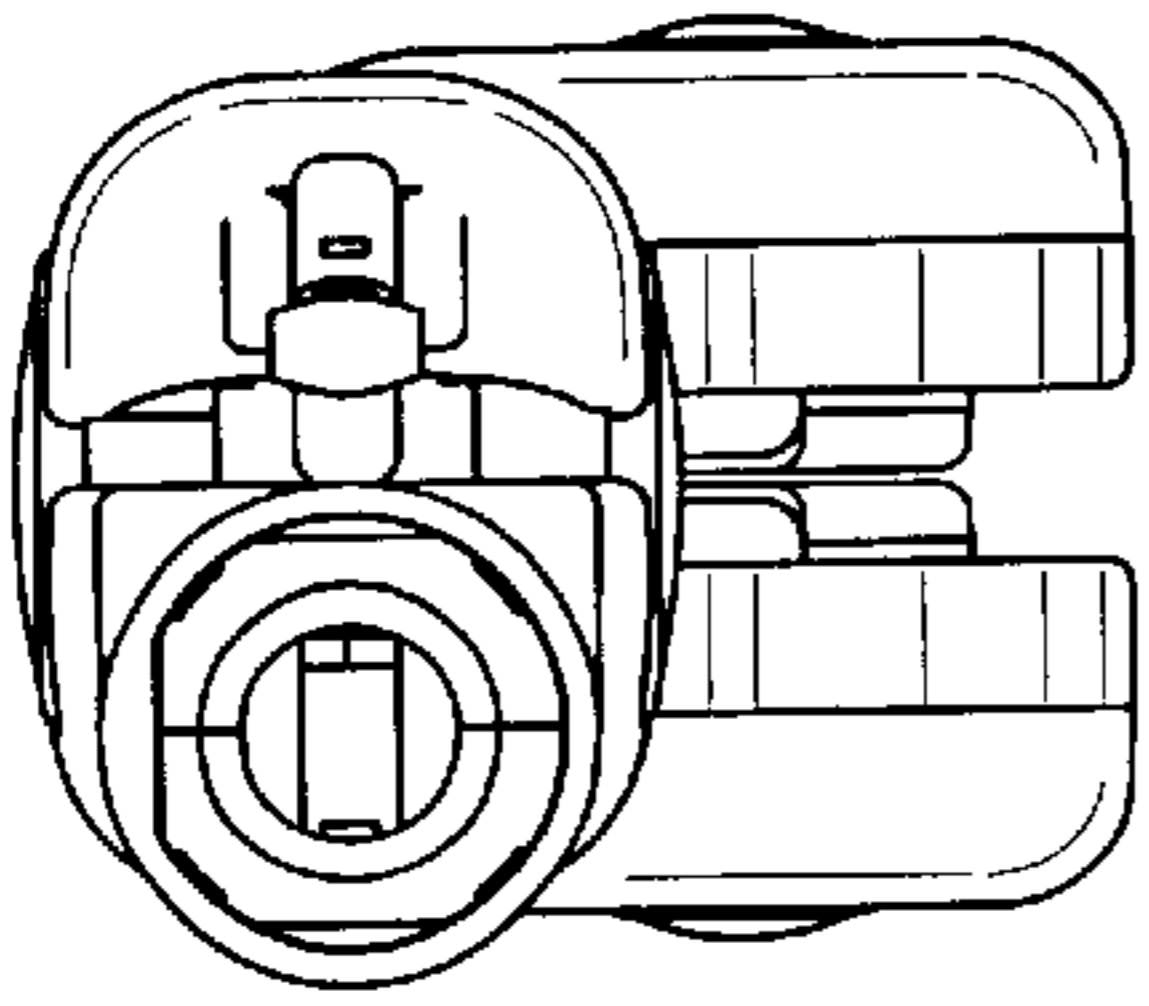


Fig. 4

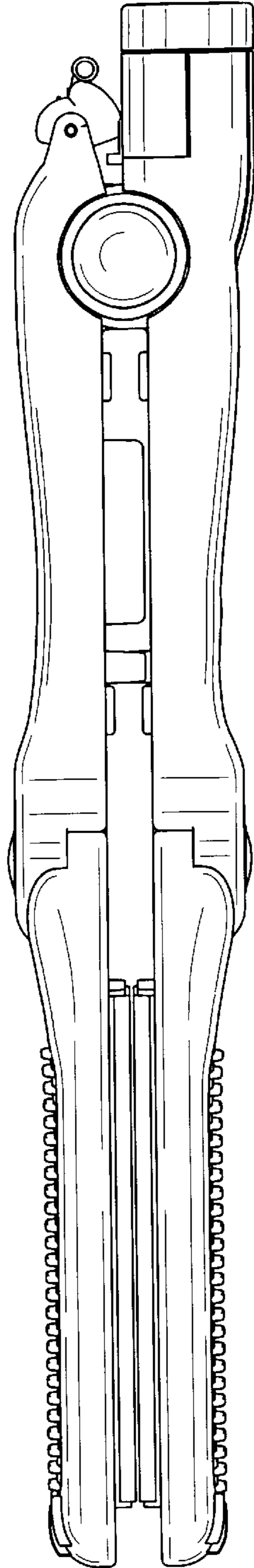


Fig. 5

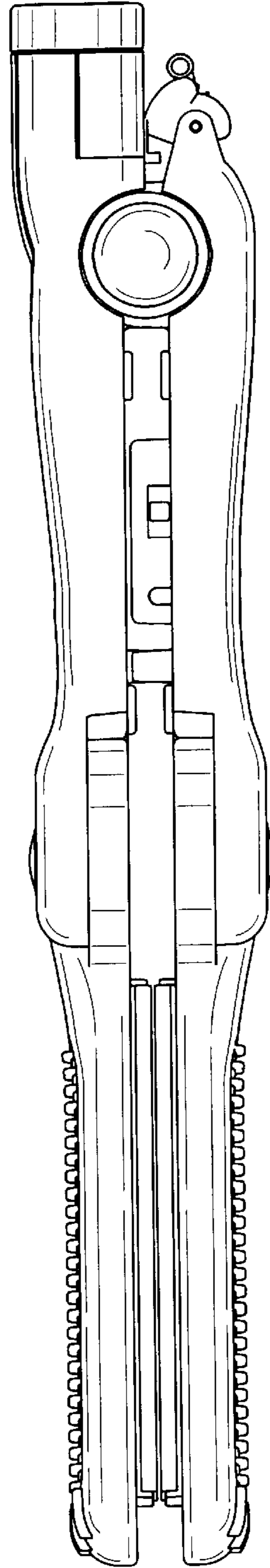


Fig. 6

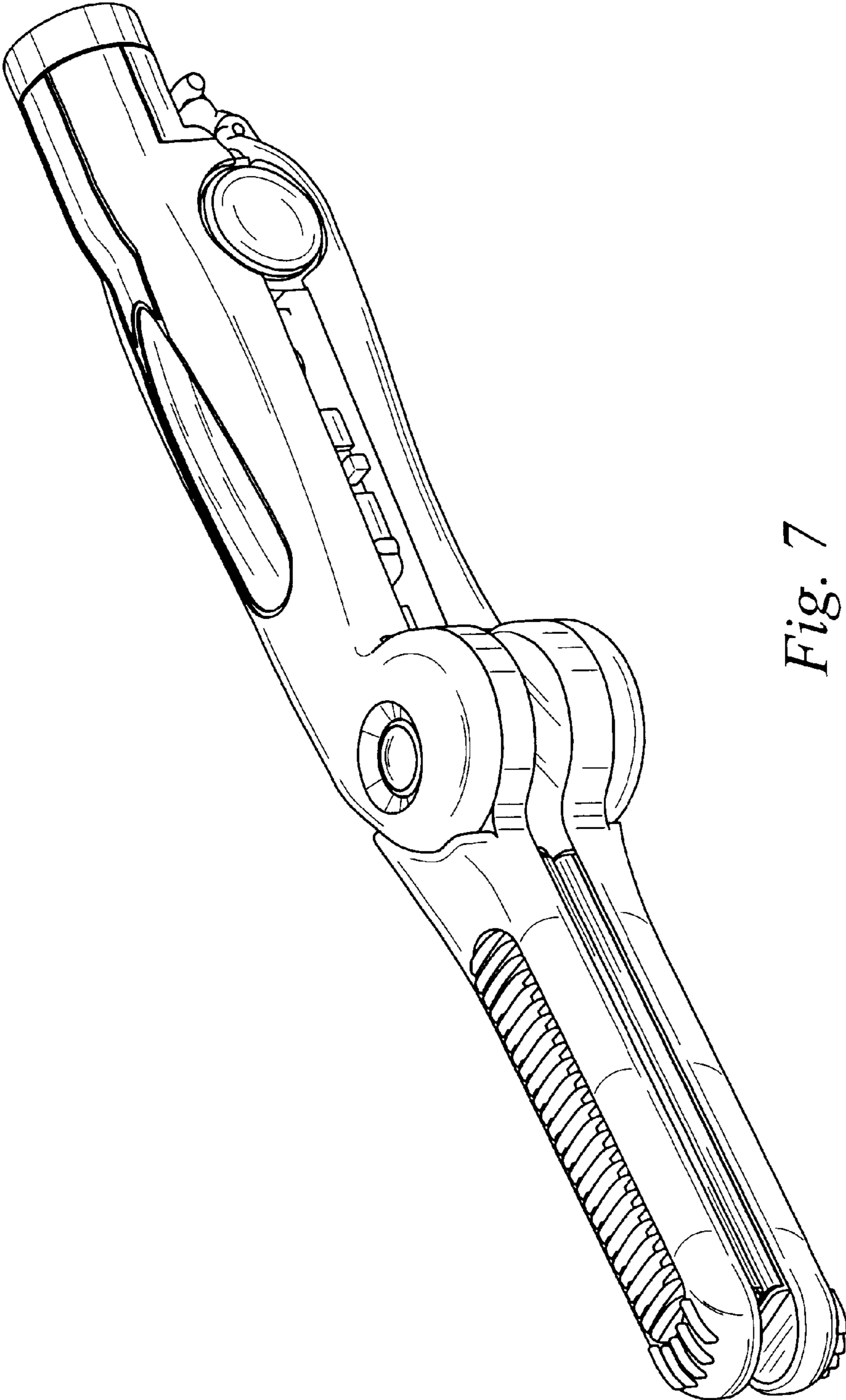


Fig. 7

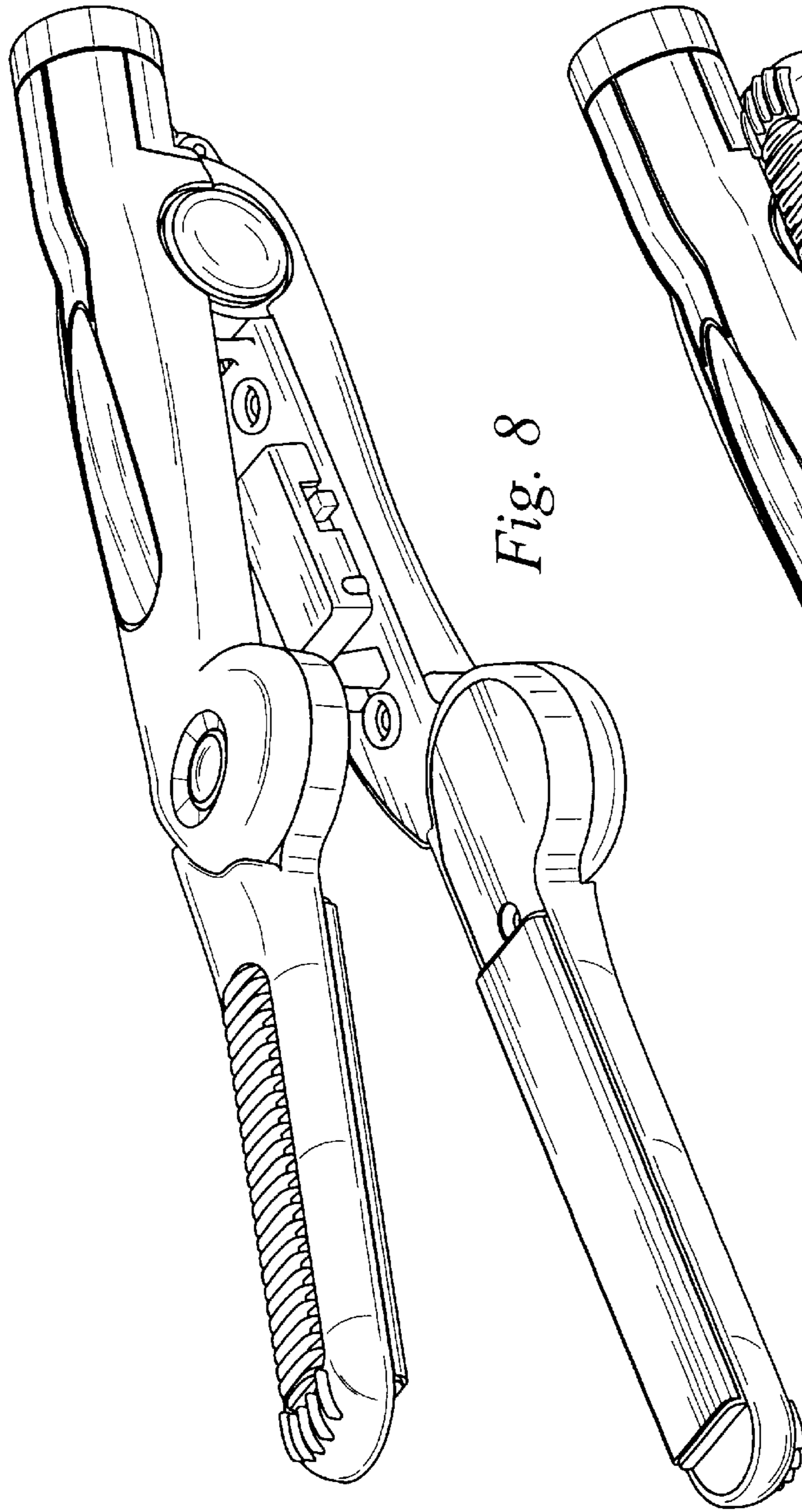


Fig. 8

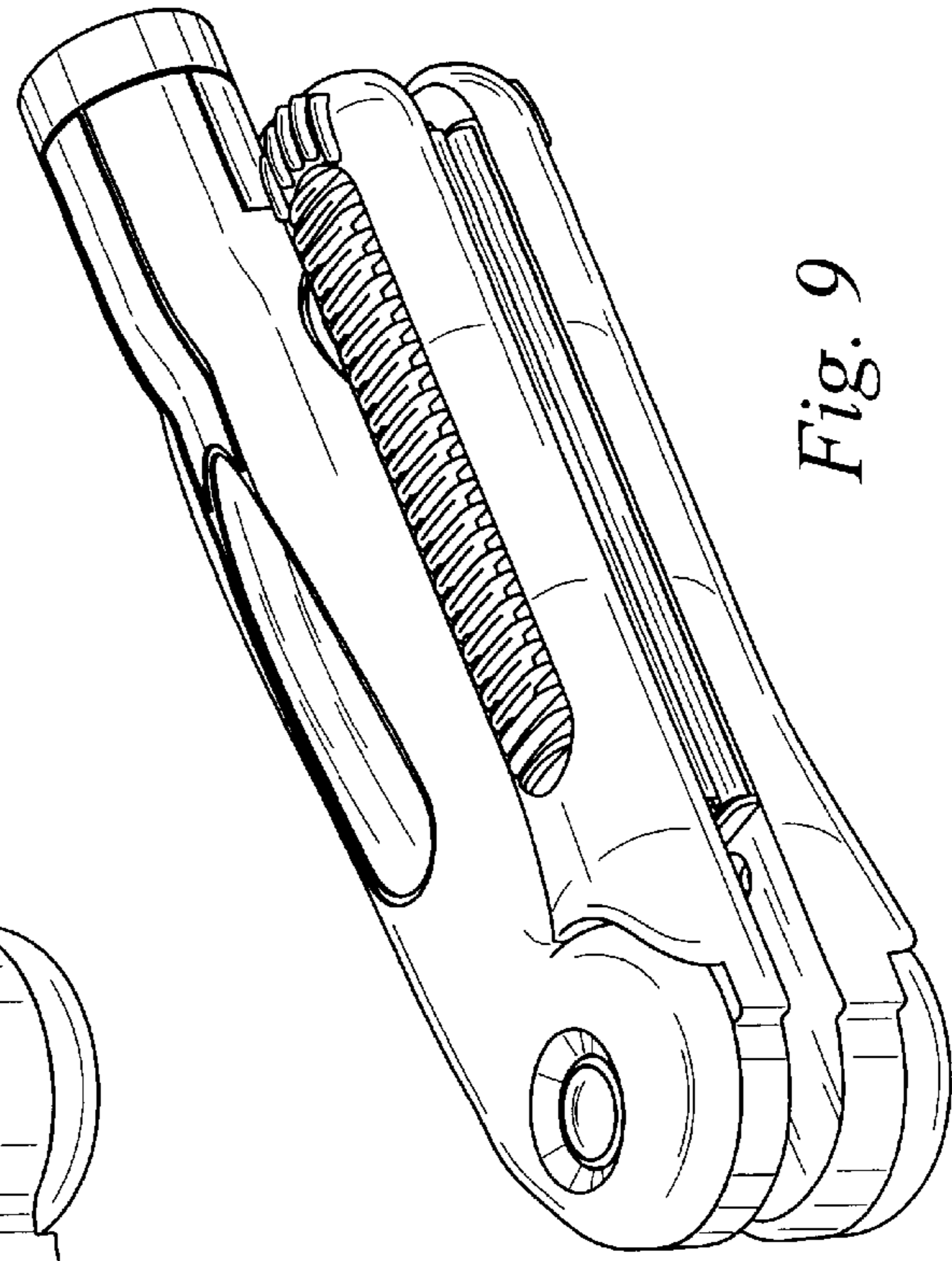


Fig. 9