



US00D511859S

(12) **United States Design Patent** (10) **Patent No.:** **US D511,859 S**
De'Armond (45) **Date of Patent:** **** Nov. 22, 2005**

(54) **LAMP SUPPORT ARM**

(75) Inventor: **Robert De'Armond**, Temecula, CA (US)

(73) Assignee: **Minka Lighting, Inc.**, Corona, CA (US)

(**) Term: **14 Years**

(21) Appl. No.: **29/218,261**

(22) Filed: **Nov. 29, 2004**

(51) **LOC (8) Cl.** **26-99**

(52) **U.S. Cl.** **D26/155**

(58) **Field of Search** D26/24, 67, 71, D26/72, 85-92, 142, 145, 149, 152, 154, 155, 118, 128-137; 362/147, 404-408, 432, 455, 457

(56) **References Cited**

U.S. PATENT DOCUMENTS

D61,106 S	*	6/1922	Roller	D26/145
D65,817 S	*	10/1924	Levy	D26/145
D74,689 S	*	3/1928	Ludwig	D26/87
D78,607 S	*	5/1929	Bohl	D26/145
D125,564 S	*	3/1941	Elting	D26/145
D147,269 S	*	8/1947	Graham	D26/92
D387,464 S	*	12/1997	Hoffman	D26/87
D405,217 S	*	2/1999	Joli	D26/145
D423,137 S	*	4/2000	Fraile	D26/155
D438,660 S		3/2001	De'Armond et al.		
D461,276 S	*	8/2002	De'Armond	D26/155

OTHER PUBLICATIONS

Kichler Lighting Catalog No. 104, ©2004; (1 page) item 9258—"Arlington" on p. 312.*
The Great Outdoors 2004 Catalog by Minka-Lavery; Minka Lighting, Inc., U.S.A.; Jan. 2004; Townhouse Model; pp. 18-19.

The Great Outdoors 2004 Catalog by Minka-Lavery; Minka Lighting, Inc., U.S.A.; Jan. 2004; Stratford Hall Model; pp. 14-17.

Maxim Lighting; MAX-20402-CDOB; printed from www.lamps-lighting.com; Oct. 17, 2004; Old World Model; One Page.

U.S. Appl. No. 29/218,223, Robert De'Armond.

U.S. Appl. No. 29/218,224, Robert De'Armond.

U.S. Appl. No. 29/218,225, Robert De'Armond.

U.S. Appl. No. 29/218,276, Robert De'Armond.

* cited by examiner

Primary Examiner—Clare E Heflin

(74) *Attorney, Agent, or Firm*—Baker McKenzie LLP

(57) **CLAIM**

The ornamental design for a lamp support arm, as shown and described.

DESCRIPTION

FIG. 1 is a perspective view from above of a lamp support arm in accordance with my design;

FIG. 2 is a perspective view from below of a lamp support arm in accordance with my design;

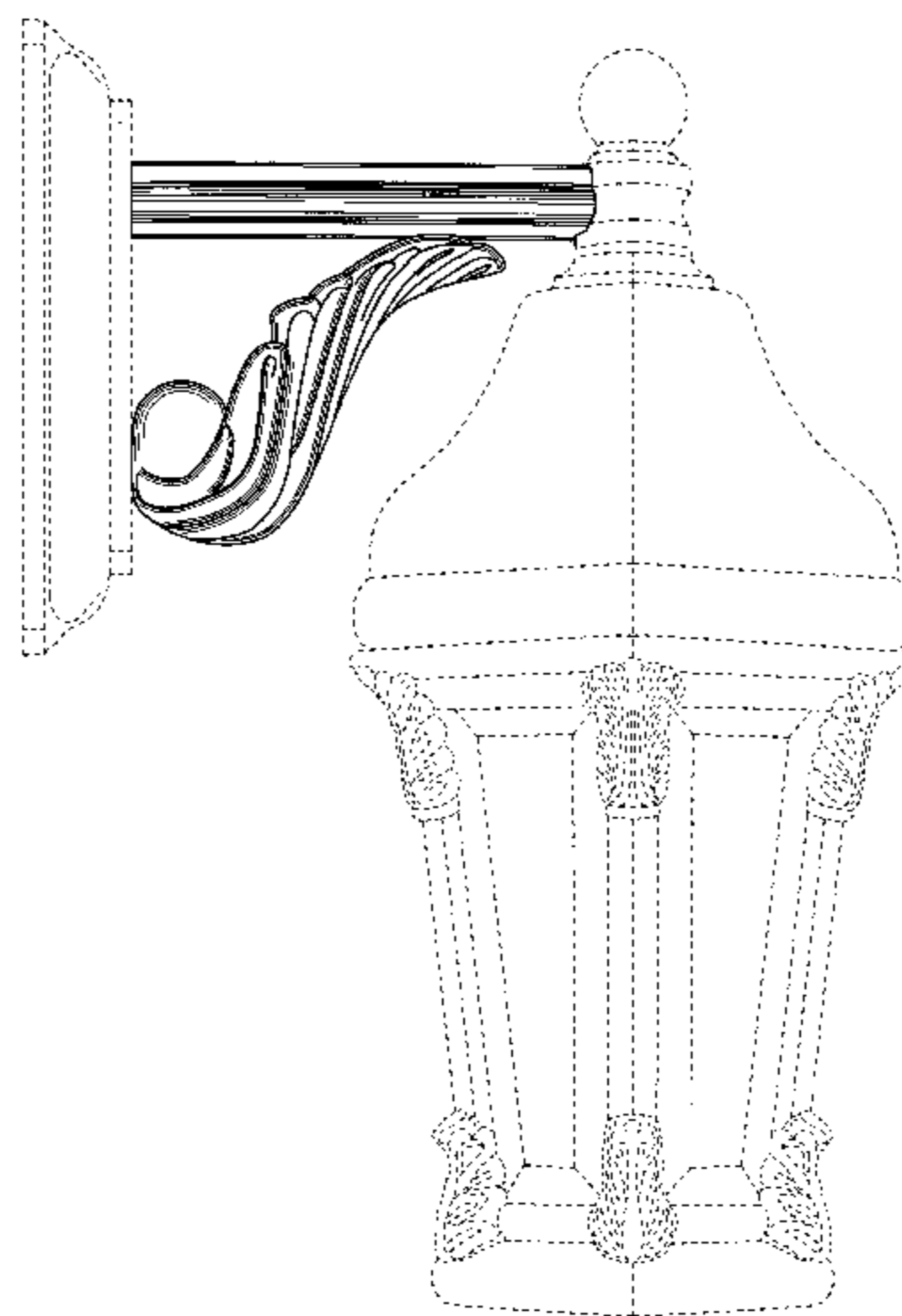
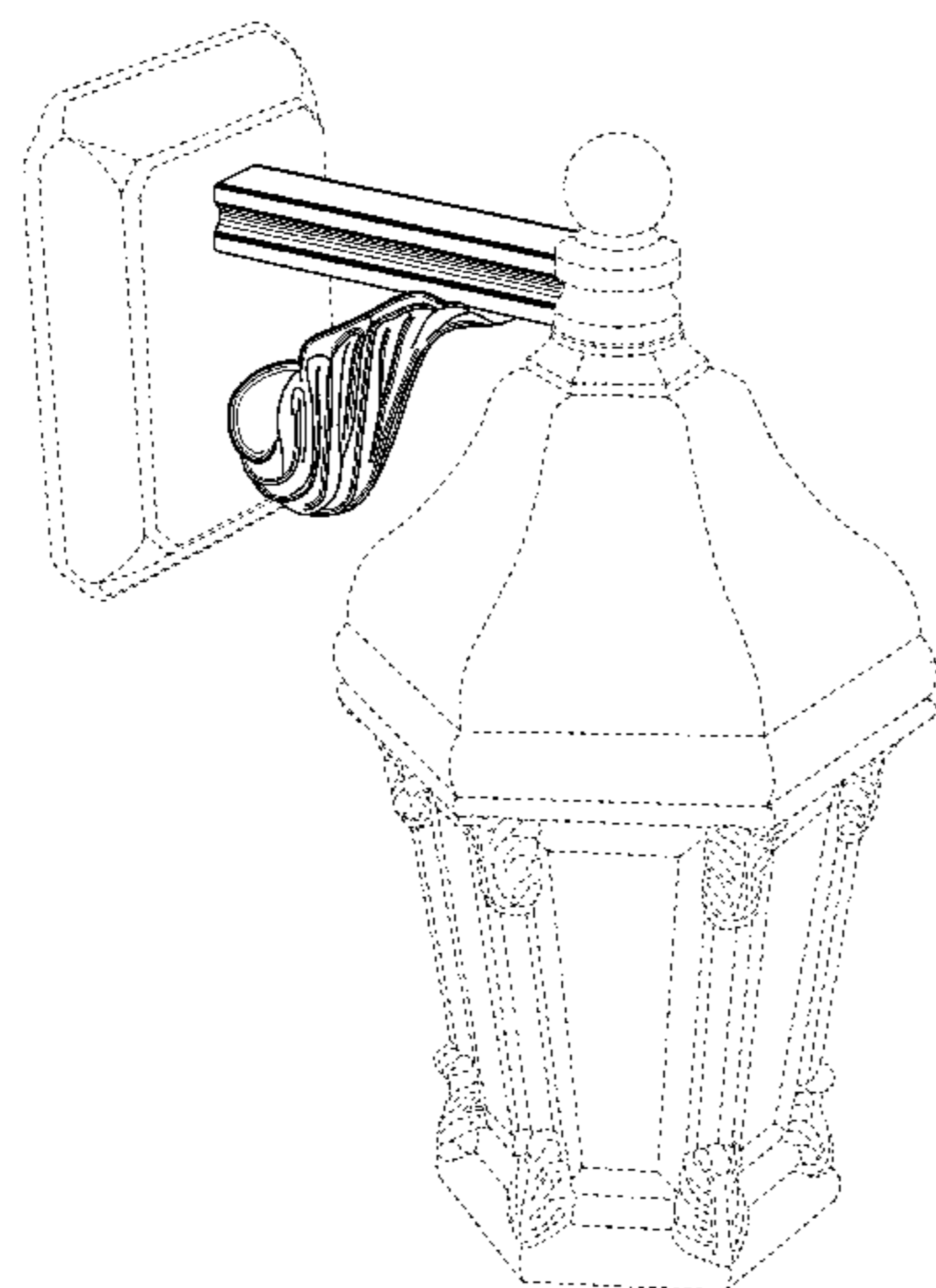
FIG. 3 is a side elevation view of the lamp support arm in accordance with my design;

FIG. 4 is a top plan view of the lamp support arm in accordance with my design; and,

FIG. 5 is a bottom plan view of the lamp support arm in accordance with my design.

The broken lines showing environmental structure are for illustrative purposes and form no part of the claimed design.

1 Claim, 5 Drawing Sheets



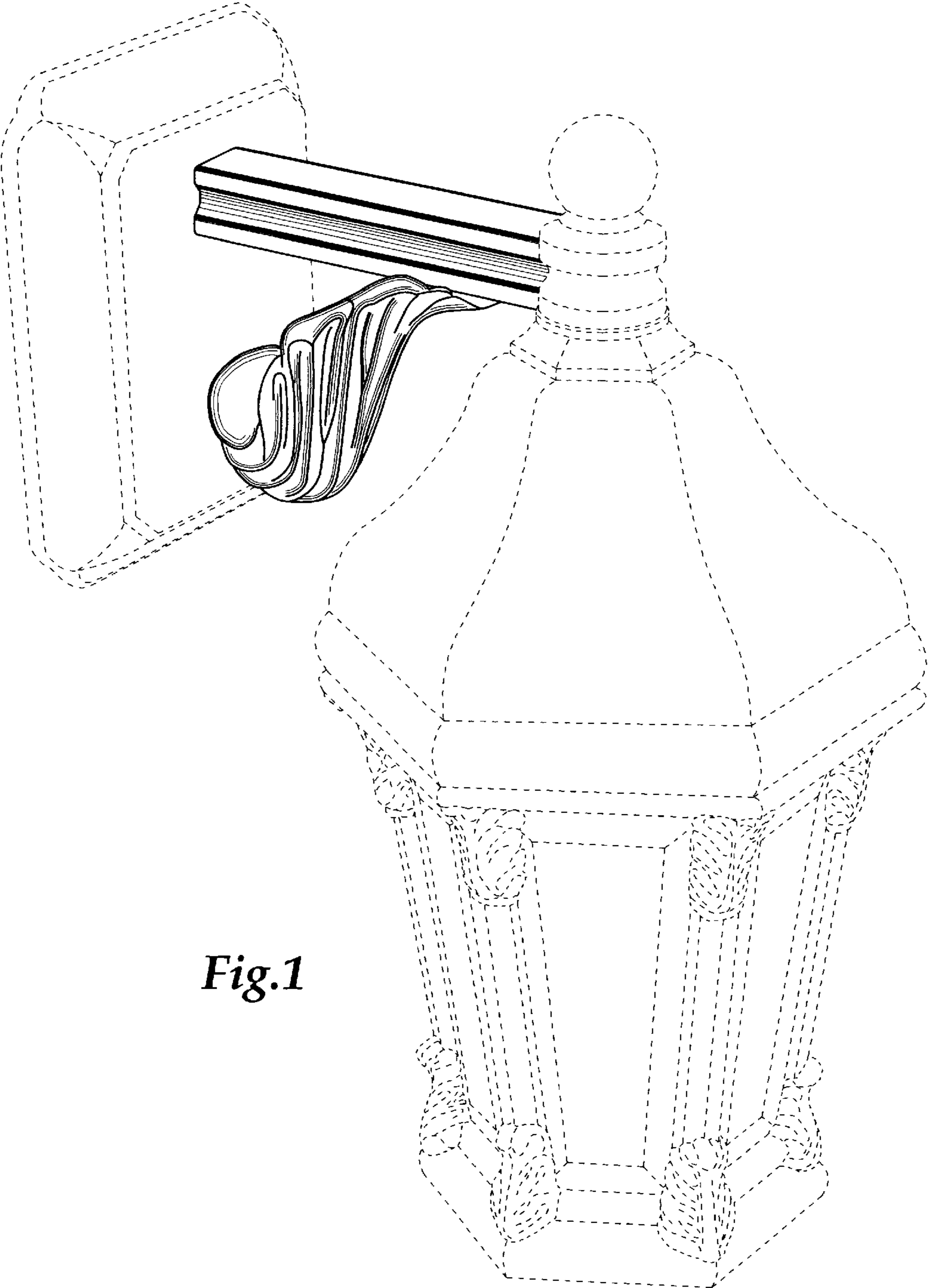


Fig.1

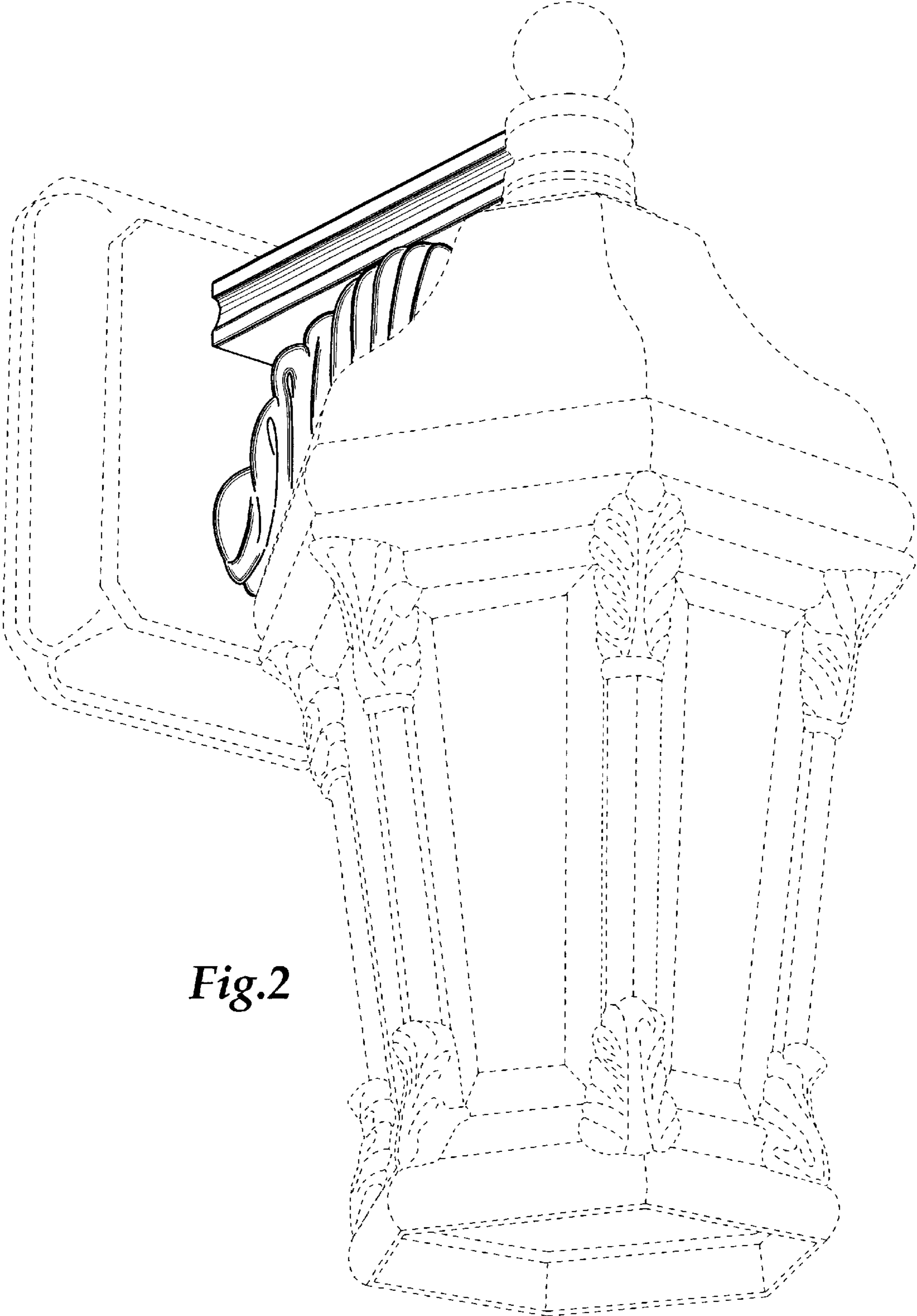


Fig.2

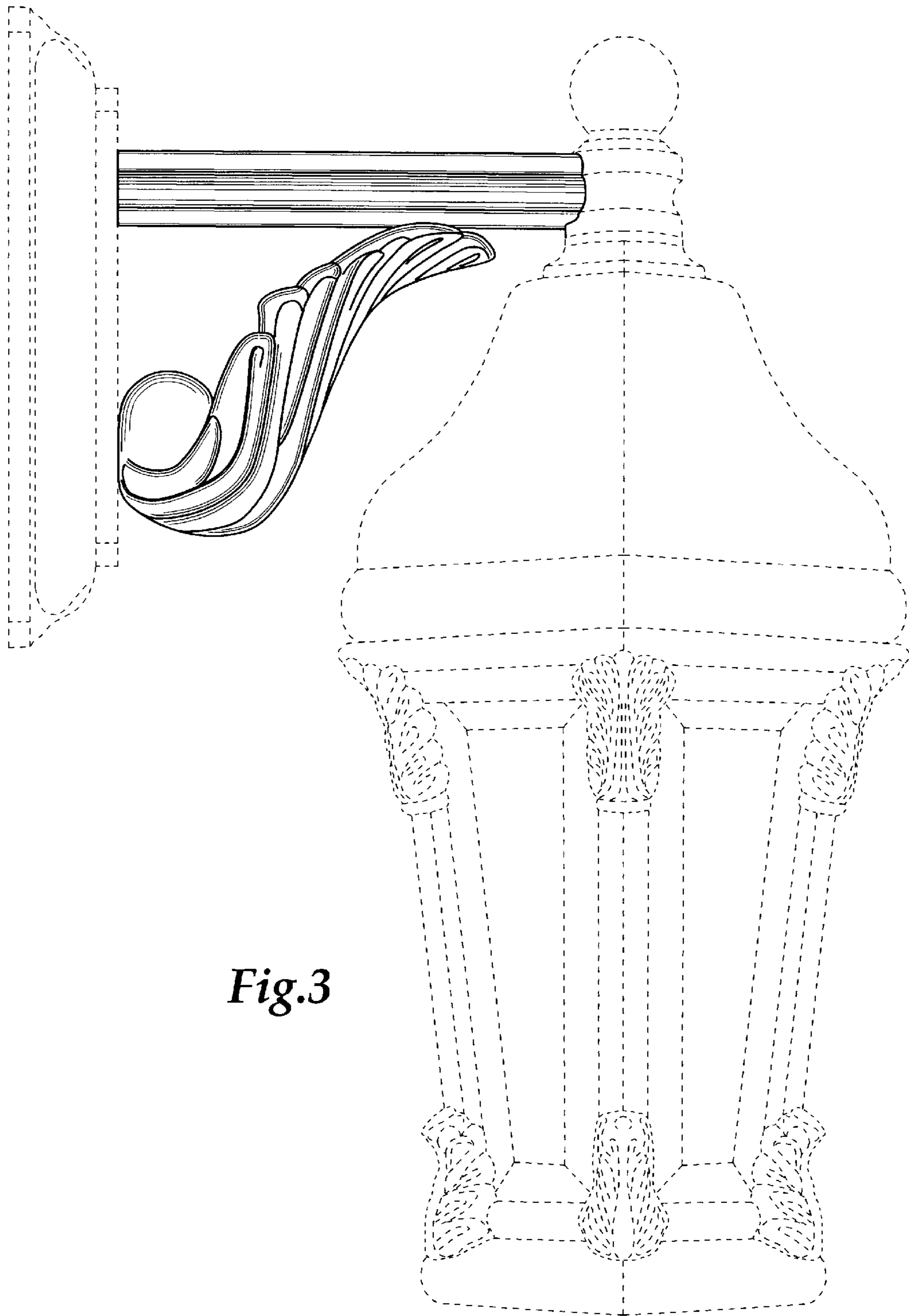


Fig. 3

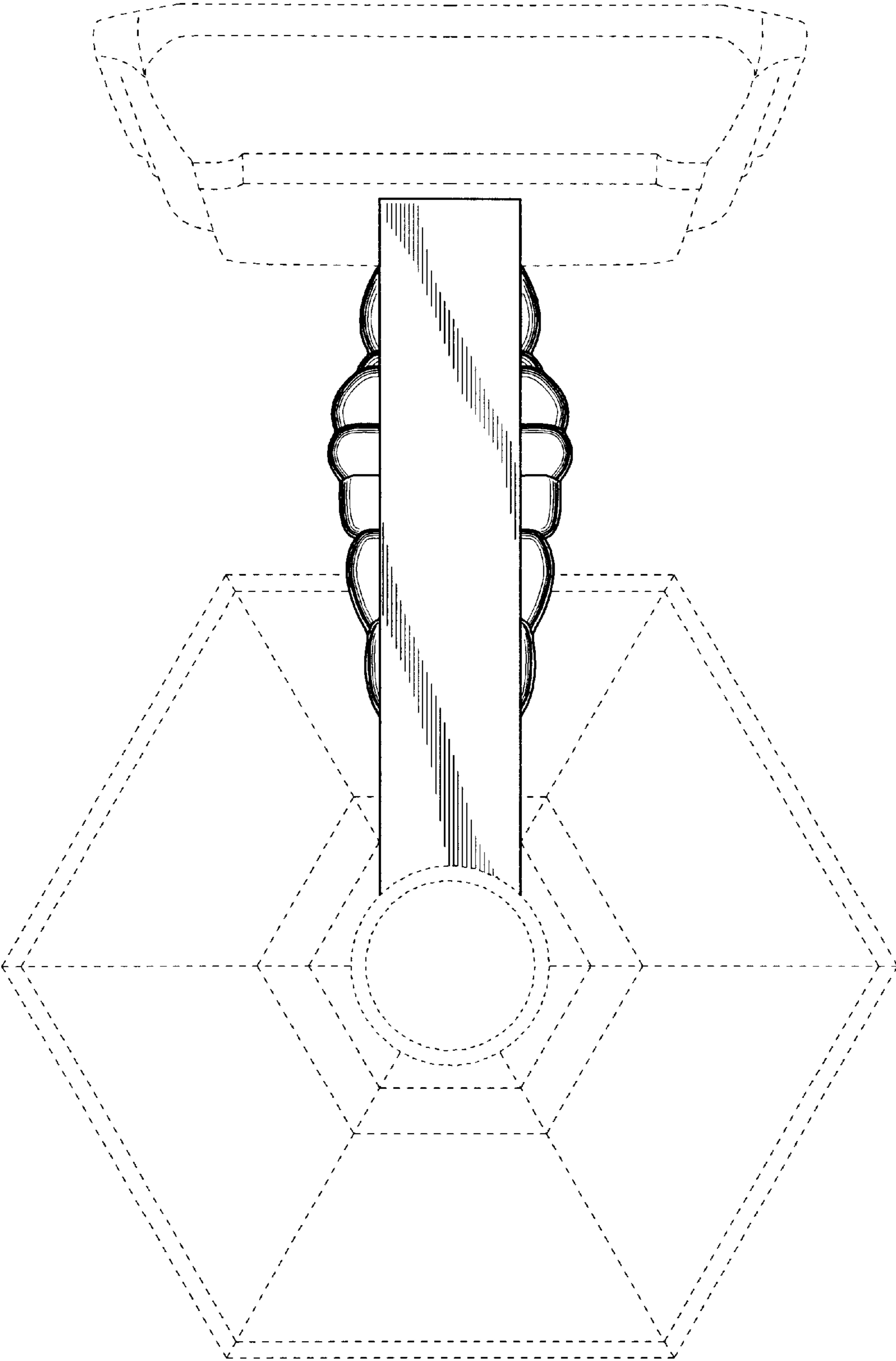


Fig.4

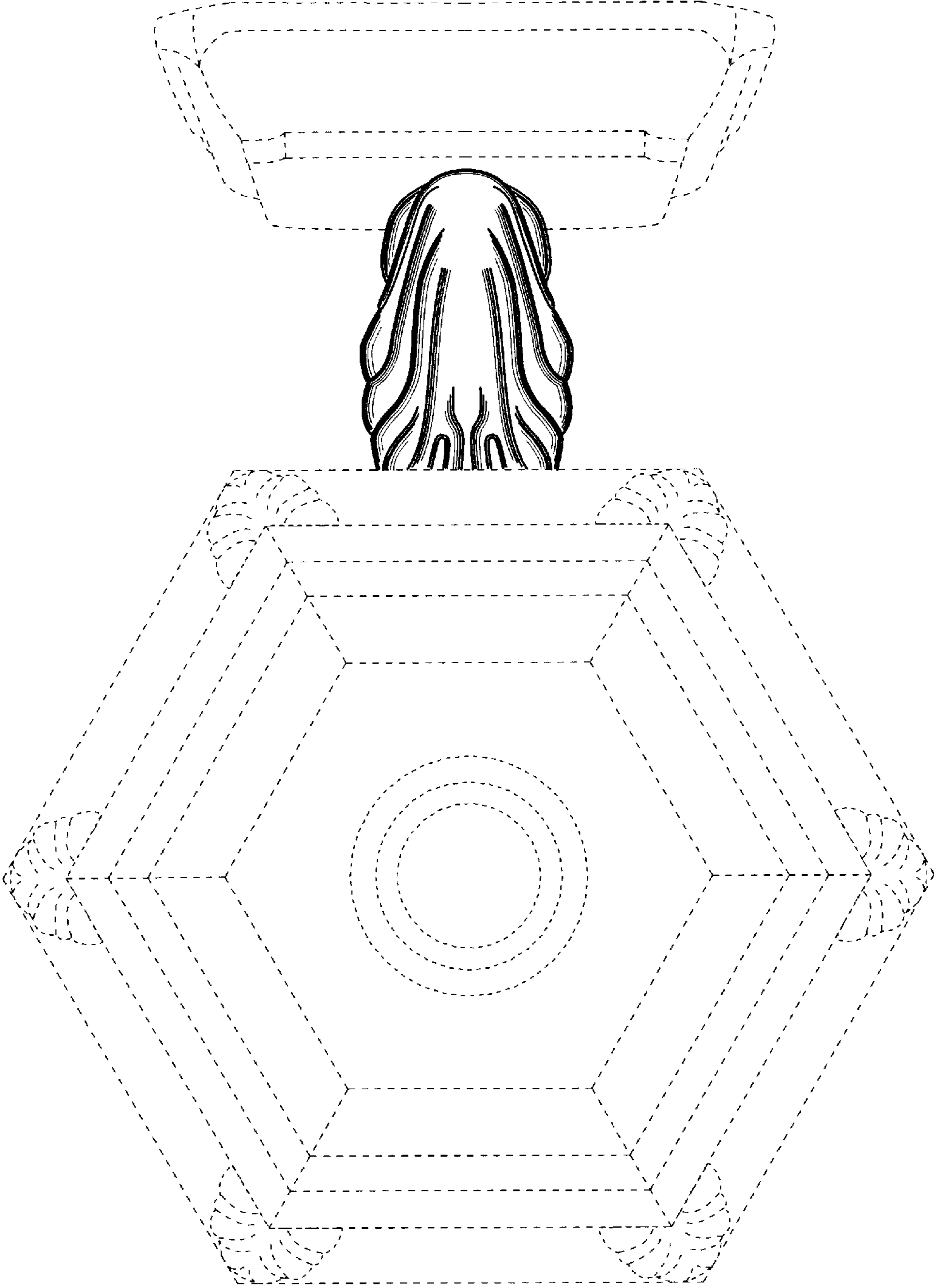


Fig.5