



US00D511858S

(12) **United States Design Patent** (10) **Patent No.:** **US D511,858 S**  
**Porter** (45) **Date of Patent:** **\*\* Nov. 22, 2005**

- (54) **LIGHTING FIXTURE**
- (75) Inventor: **David H. Porter**, Monticello, WI (US)
- (73) Assignee: **Kichler Lighting**, Cleveland, OH (US)
- (\*\*) Term: **14 Years**
- (21) Appl. No.: **29/214,747**
- (22) Filed: **Oct. 7, 2004**

*Primary Examiner*—Clare E Heflin  
 (74) *Attorney, Agent, or Firm*—Calfee, Halter & Griswold LLP

(57) **CLAIM**

I claim the ornamental design for a lighting fixture, as shown and described.

**DESCRIPTION**

This patent application is a continuation of and claims priority to U.S. patent application Ser. No. 29/143,920, filed on Jun. 21, 2003 still pending, and entitled “Lighting portables and fixtures” the entire disclosure of which is hereby incorporated by reference as if fully set forth herein. This case is related to U.S. patent application Ser. No. 29/214,748, filed herewith on Oct. 7, 2004, also entitled “Lighting Fixture” and also claiming priority to U.S. patent application Ser. No. 29/143,920.

FIG. 1 is a front elevation of the light fixture showing the new design;

FIG. 2 is a rear elevation thereof;

FIG. 3 is a side elevation of the light fixture with the opposite side being a mirror image thereof;

FIG. 4 is a top plan view thereof;

FIG. 5 is a bottom plan view thereof; and,

FIG. 6 is a perspective view thereof.

The broken lines immediately adjacent the shaded areas and the broken lines forming the lower boundaries of the diffusers represent the bounds of the claimed design, while all other broken lines are directed to environment and are for illustrative purposes only; the broken lines form no part of the claimed design.

**Related U.S. Application Data**

- (63) Continuation of application No. 29/143,920, filed on Jun. 21, 2001.
- (51) **LOC (8) Cl.** ..... **26-99**
- (52) **U.S. Cl.** ..... **D26/155**
- (58) **Field of Search** ..... D26/72, 80–92,  
D26/113, 138, 142–145, 155; 362/147,  
404–408, 432

(56) **References Cited**

**U.S. PATENT DOCUMENTS**

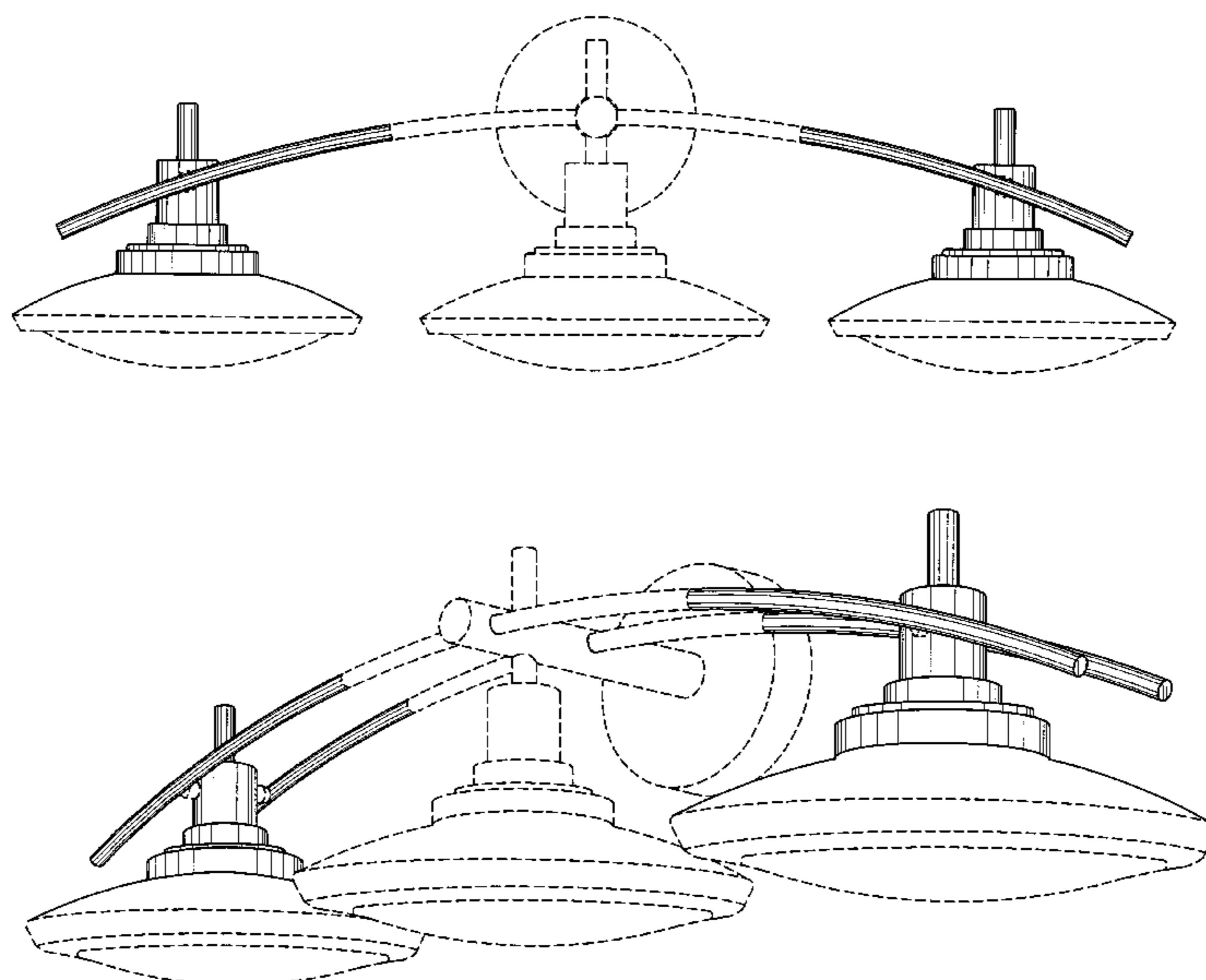
D41,378 S	*	5/1911	Guth	.....	D26/144
D493,568 S	*	7/2004	Parres	.....	D26/143
D499,507 S	*	12/2004	Parres	.....	D26/143
D501,058 S	*	1/2005	Parres	.....	D26/80
D501,269 S	*	1/2005	Parres	.....	D26/80
D501,270 S	*	1/2005	Lee	.....	D26/86

**OTHER PUBLICATIONS**

Taiwan Lighting, Nov. 2001, p. 82, item #BT-ML01.  
 Home Lighting and Accessories, Jun. 2001, p. 13, lighting fixture in center photograph.  
 Taiwan Lighting, Jan. 2002, p. 125, item #ML-107 and item #ML-103.  
 Http:lampsplus.com, 30" contemporary bathbar #57989 and 9"W Contemporary Pool Table Chandelier #57986 dated Jan. 23, 2003.

\* cited by examiner

**1 Claim, 6 Drawing Sheets**



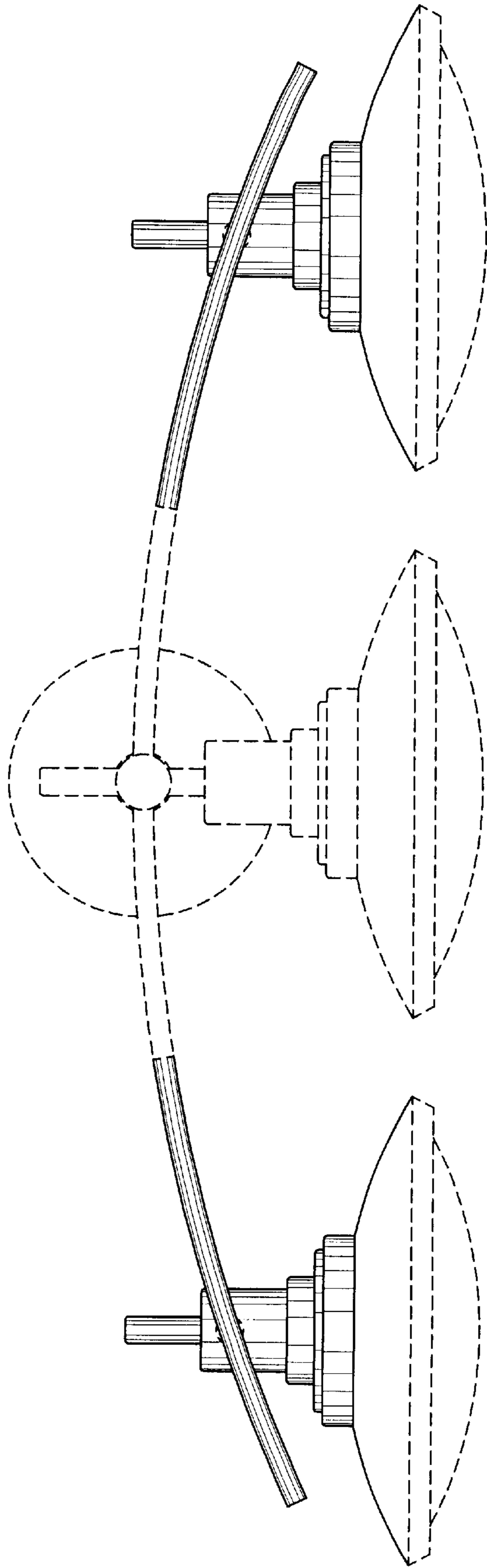


FIG. 1

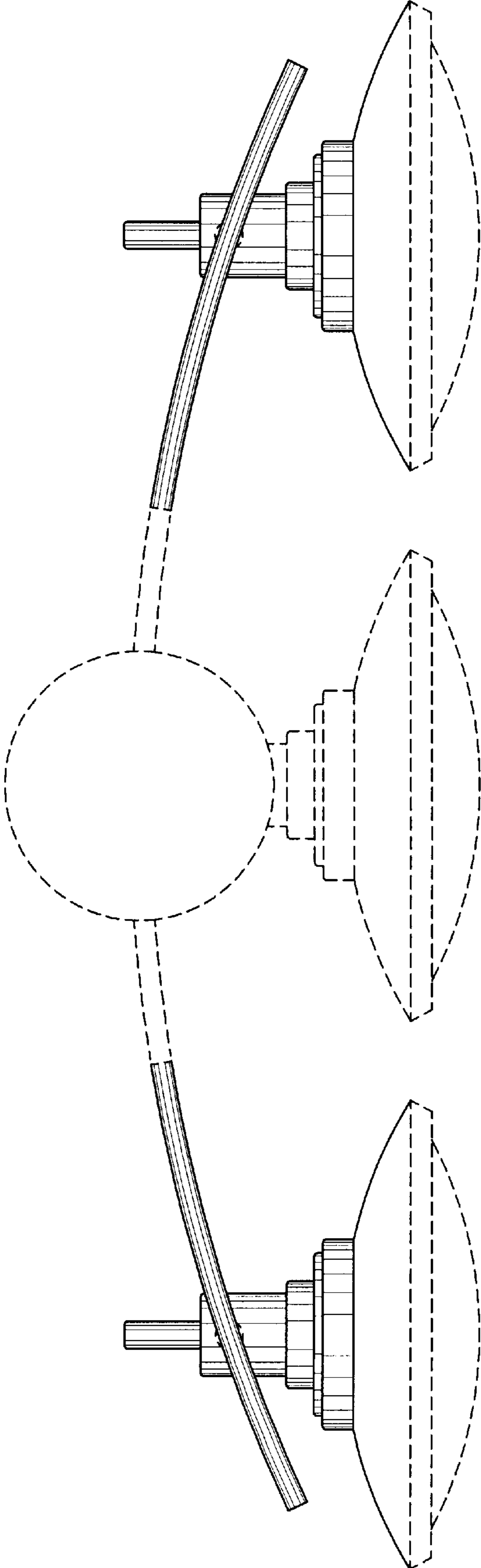


FIG. 2

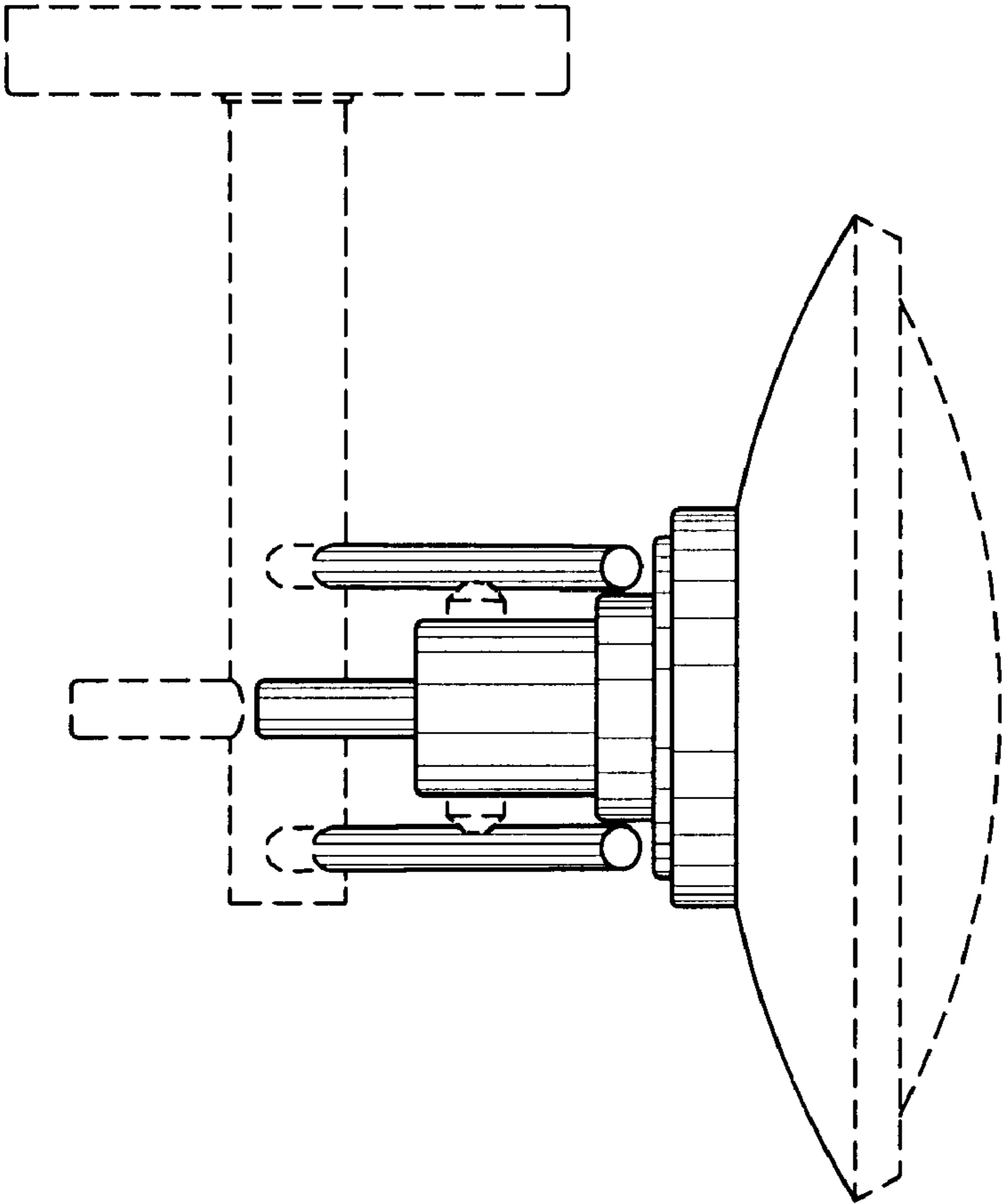


FIG. 3

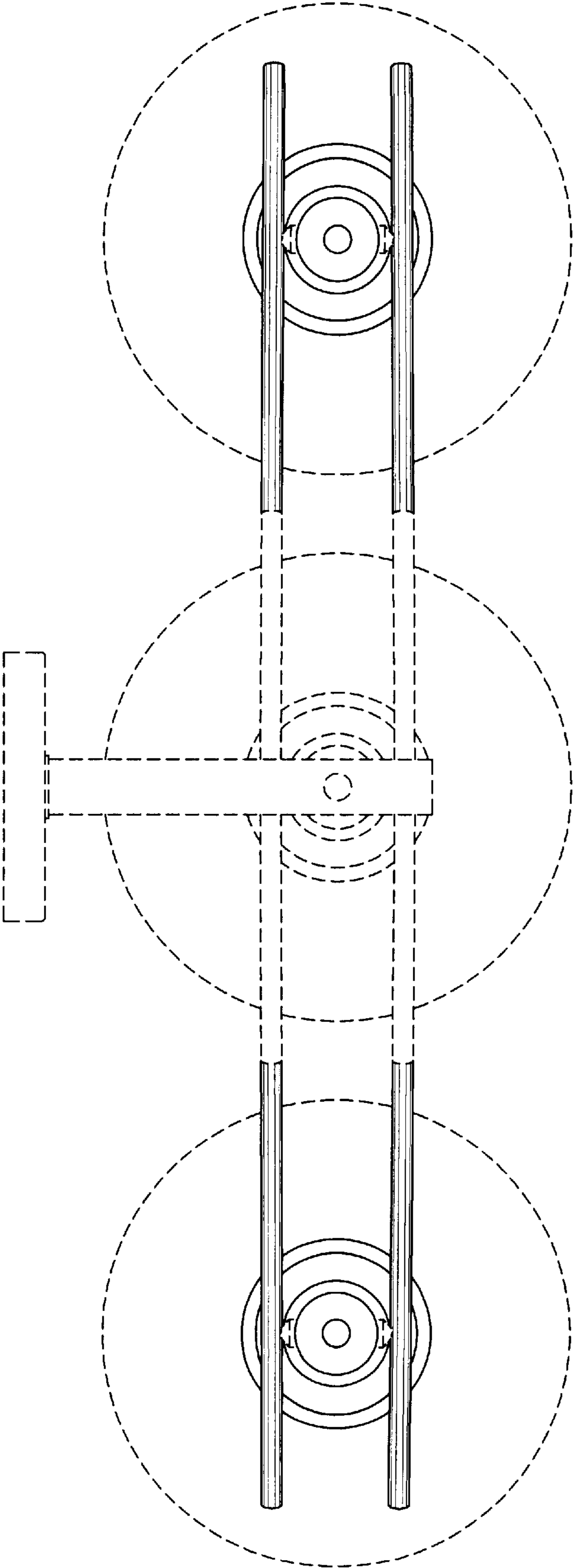


FIG. 4

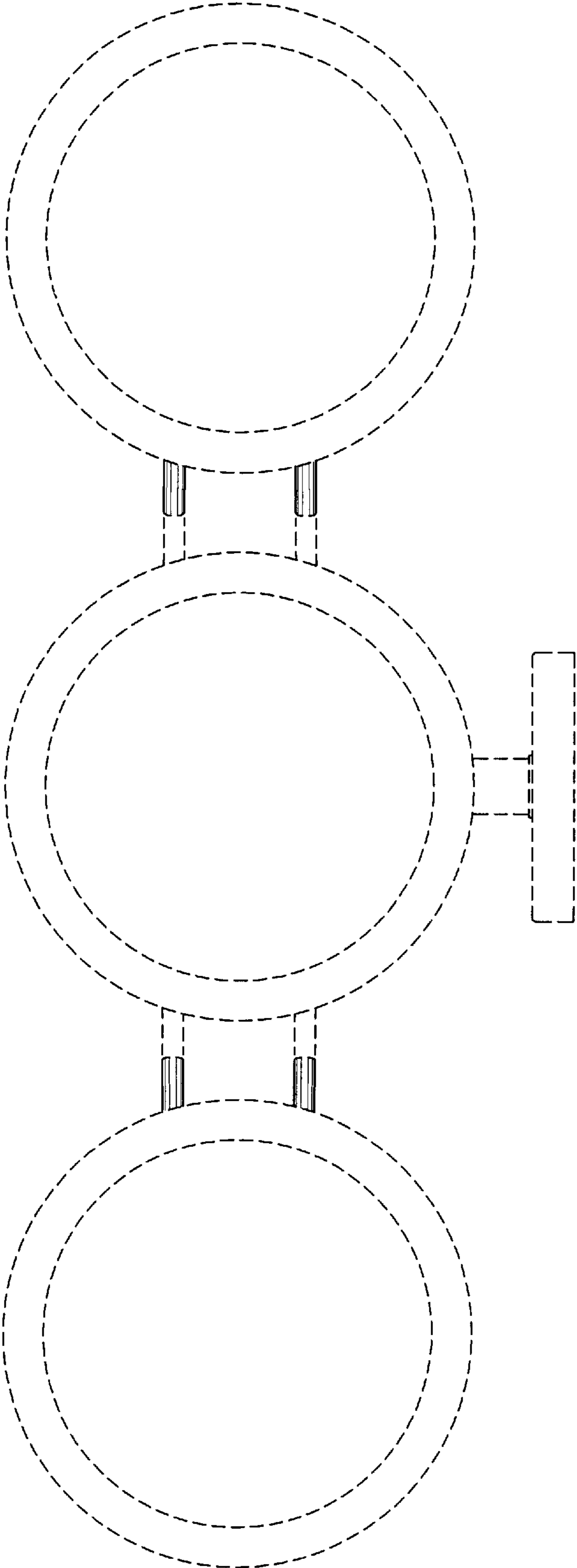


FIG. 5

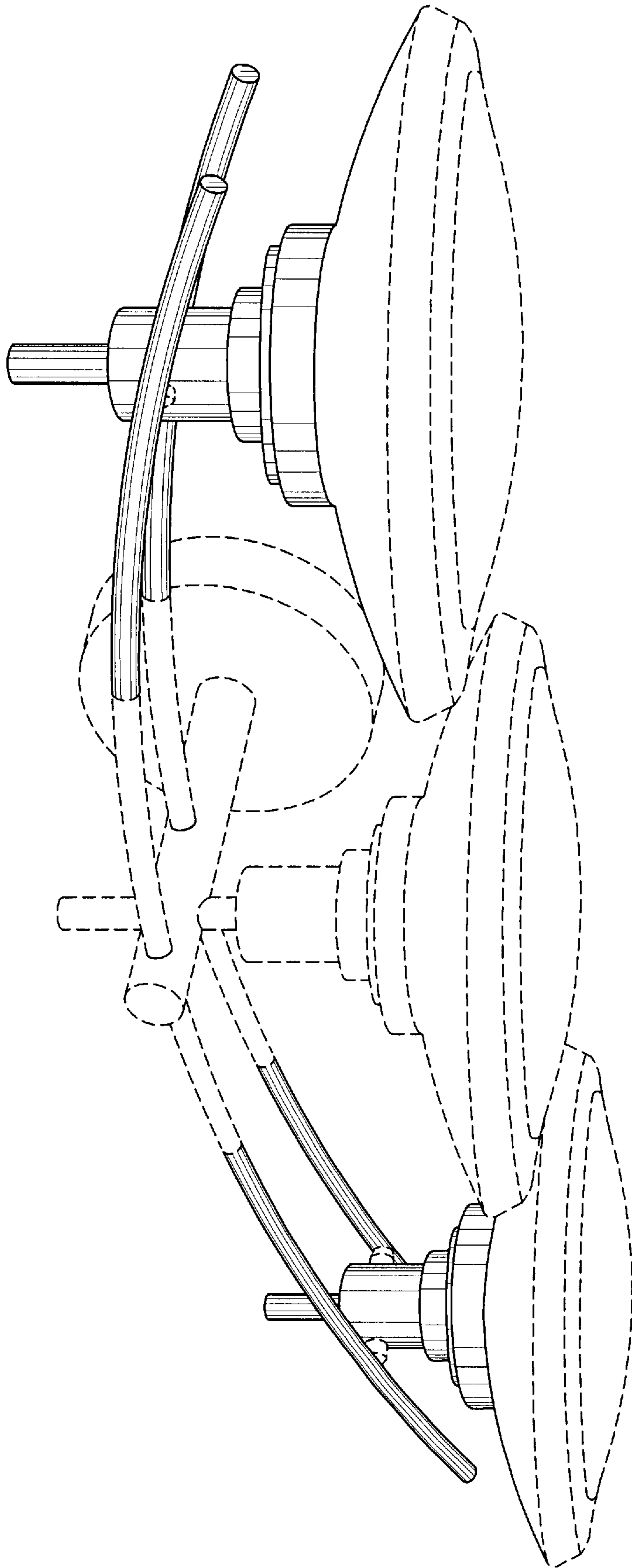


FIG. 6