

US00D511856S

(12) **United States Design Patent**  
**De'Armond**

(10) **Patent No.:** **US D511,856 S**  
(45) **Date of Patent:** **\*\* Nov. 22, 2005**

(54) **PORTION OF LAMP HOUSING**

(75) Inventor: **Robert De'Armond**, Temecula, CA (US)

(73) Assignee: **Minka Lighting, Inc.**, Corona, CA (US)

(\*\*) Term: **14 Years**

(21) Appl. No.: **29/218,486**

(22) Filed: **Dec. 2, 2004**

(51) **LOC (8) Cl.** ..... **26-99**

(52) **U.S. Cl.** ..... **D26/152; D26/155**

(58) **Field of Search** ..... D26/24, 67, 71,  
D26/72, 85-92, 142, 145, 149, 152, 154,  
155, 118, 128-137; 362/147, 404-408,  
432, 455, 457

(56) **References Cited**

**U.S. PATENT DOCUMENTS**

D460,210 S \* 7/2002 Lee ..... D26/155  
D469,918 S \* 2/2003 Dolan ..... D26/155

**OTHER PUBLICATIONS**

Kichler Lighting Catalog No. 104, ©2004; item 2408—  
“Sonata” on p. 44.\*  
Kichler Lighting Catalog No. 104 ©2004; item 9359—  
“Londonderry” on p. 304.\*  
Kichler Lighting Catalog No. 104, ©2004; item 9459—  
“Meuse” on p. 306.\*

U.S. Appl. No. 29/218,432, Robert De'Armond.  
U.S. Appl. No. 29/218,484, Robert De'Armond.  
U.S. Appl. No. 29/218,485, Robert De'Armond.  
U.S. Appl. No. 29/218,488, Robert De'Armond.  
The Great Outdoors 2004 Catalog by Minka-Lavery; Minka  
Lighting, Inc. U.S.A.; Jan. 2004; Buckingham Model; pp.  
2-3.

\* cited by examiner

*Primary Examiner*—Clare E Heflin

(74) *Attorney, Agent, or Firm*—Baker & McKenzie LLP

(57) **CLAIM**

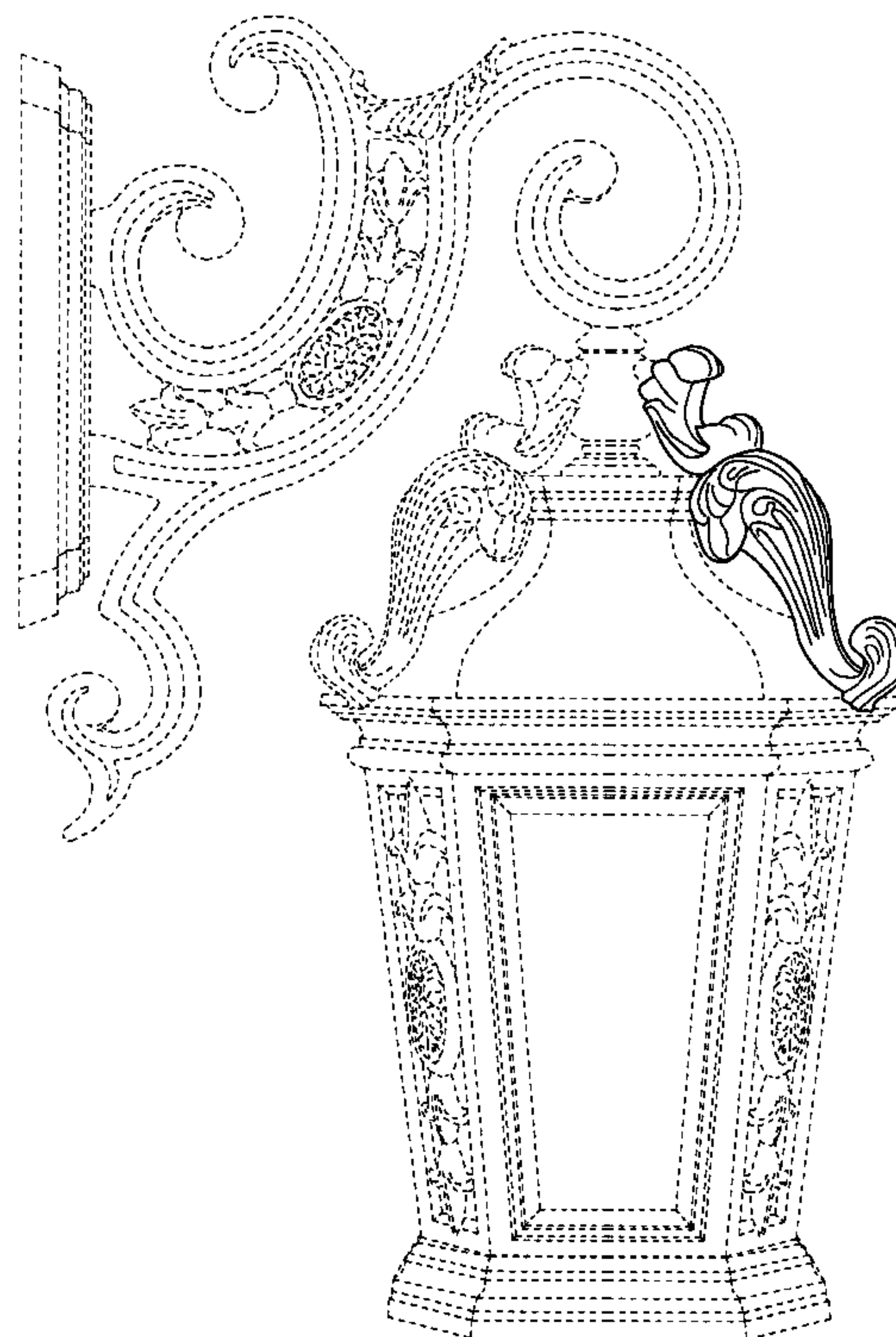
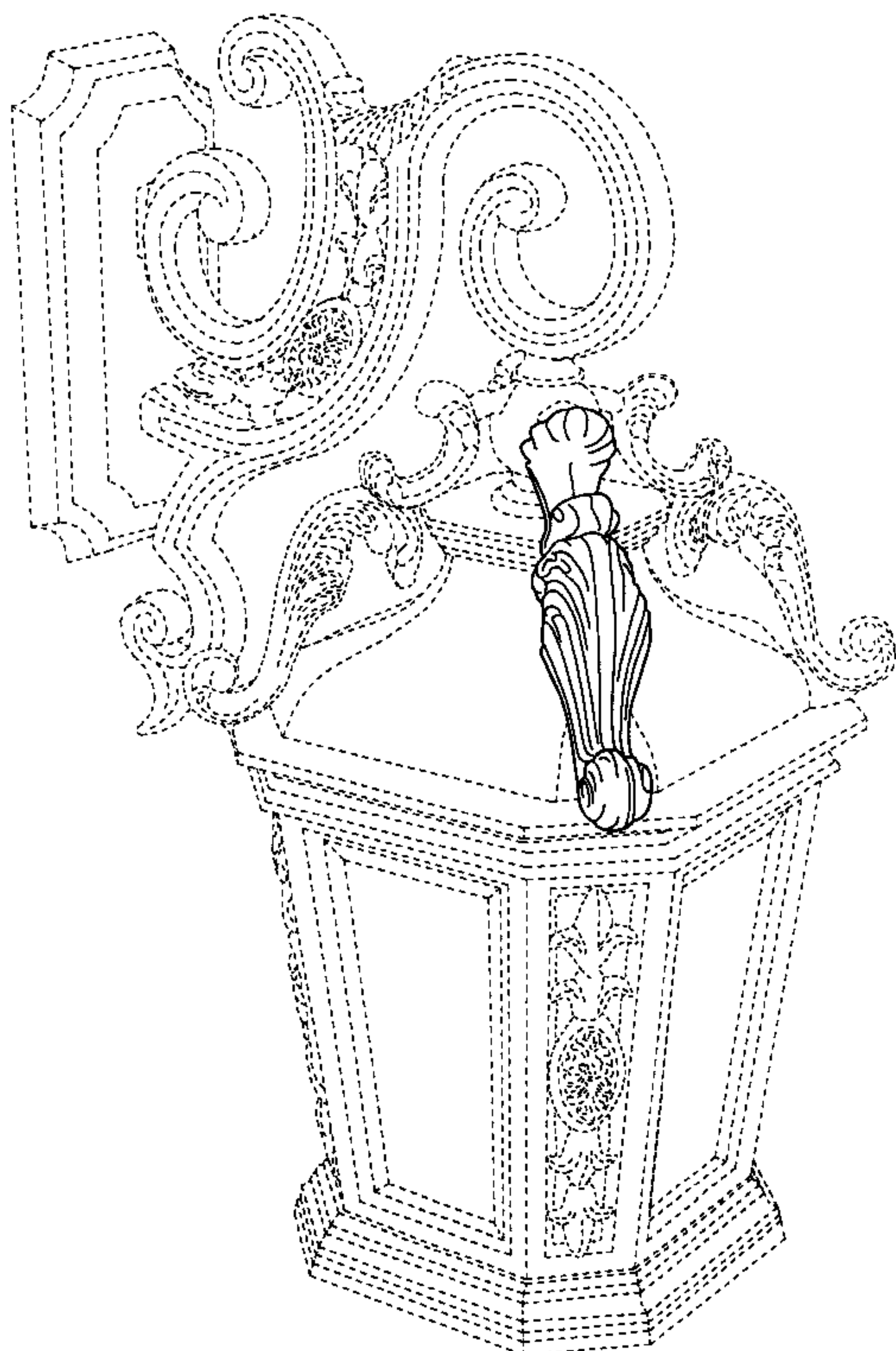
The ornamental design for a portion of lamp housing, as  
shown and described.

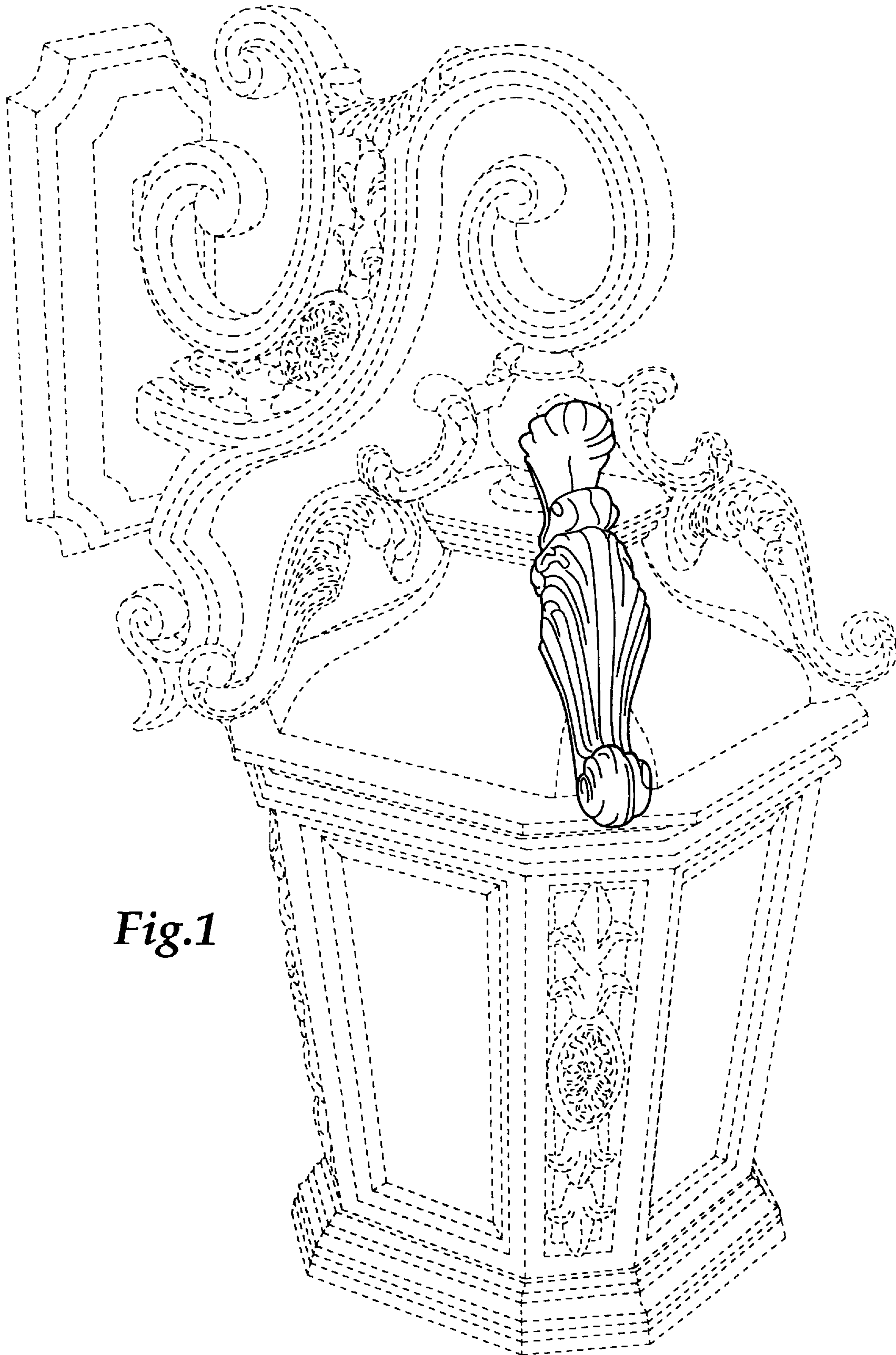
**DESCRIPTION**

FIG. 1 is a perspective view from above of a portion of lamp  
housing in accordance with my design;  
FIG. 2 is a perspective view from below of the portion of  
lamp housing in accordance with my design;  
FIG. 3 is a side elevation view of the portion of lamp  
housing in accordance with my design;  
FIG. 4 is a front elevation view of the portion of lamp  
housing in accordance with my design; and,  
FIG. 5 is a top plan view of the portion of lamp housing in  
accordance with my design.

The broken lines showing environmental structure are for  
illustrative purposes and form no part of the claimed design.

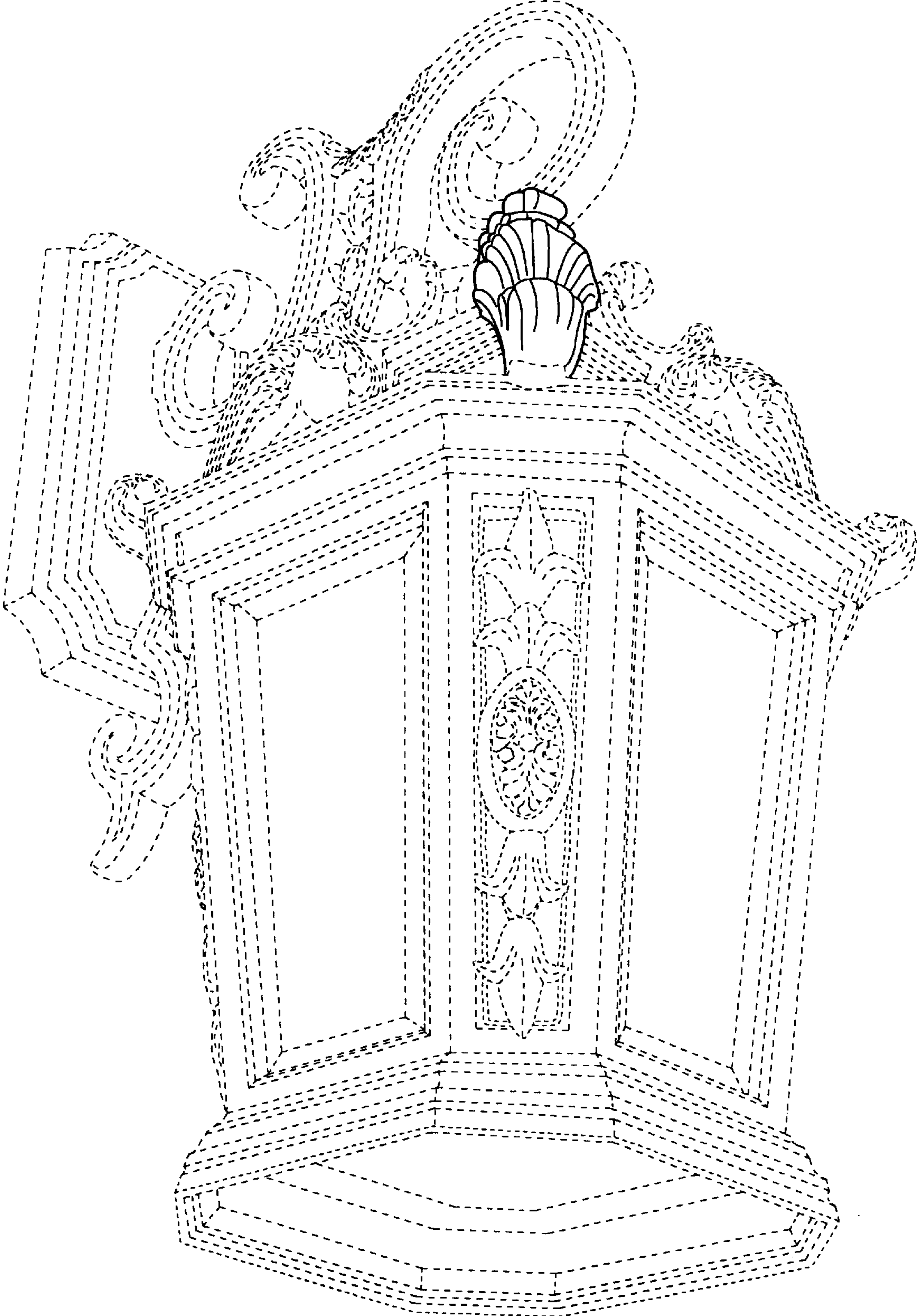
**1 Claim, 5 Drawing Sheets**



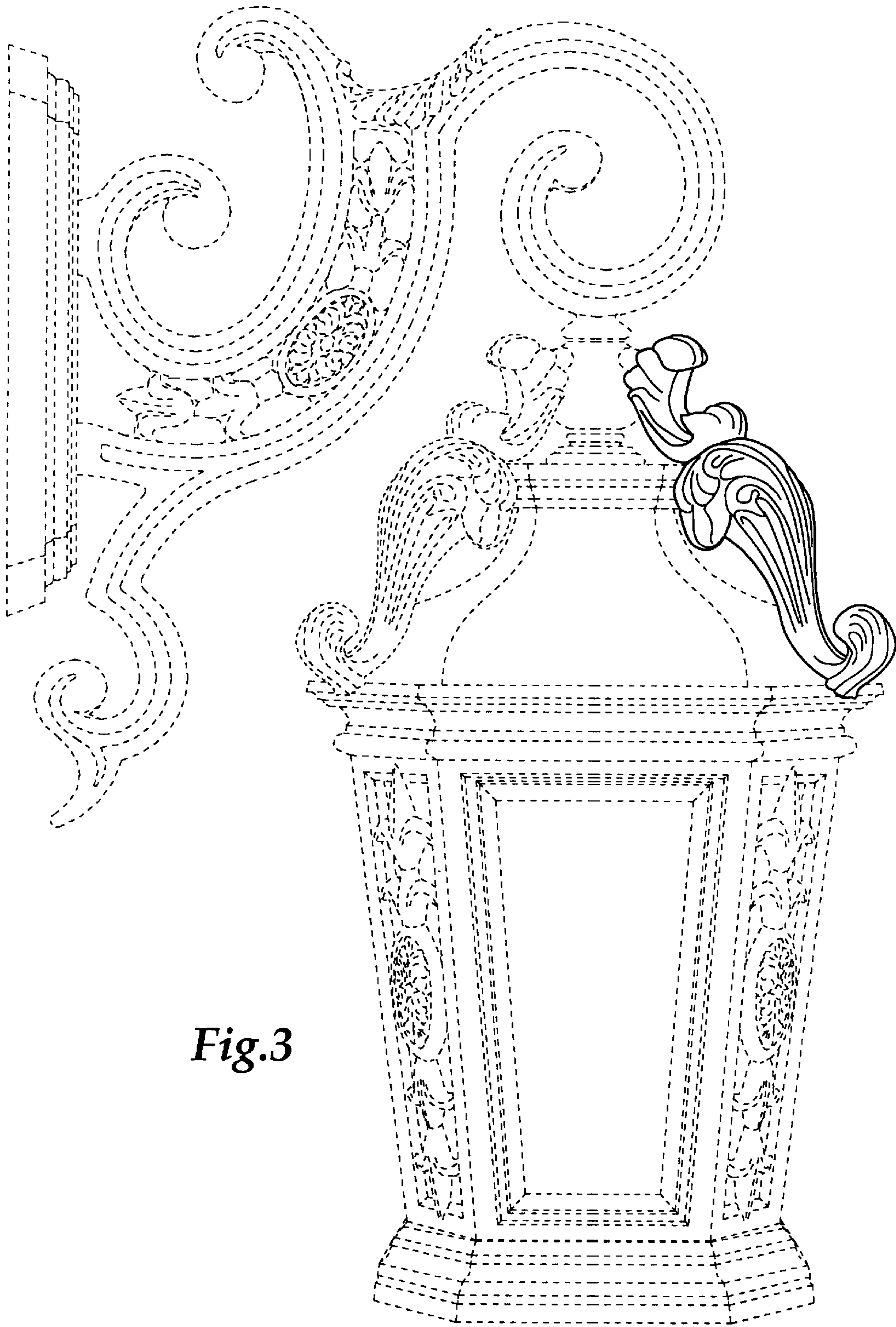


*Fig.1*

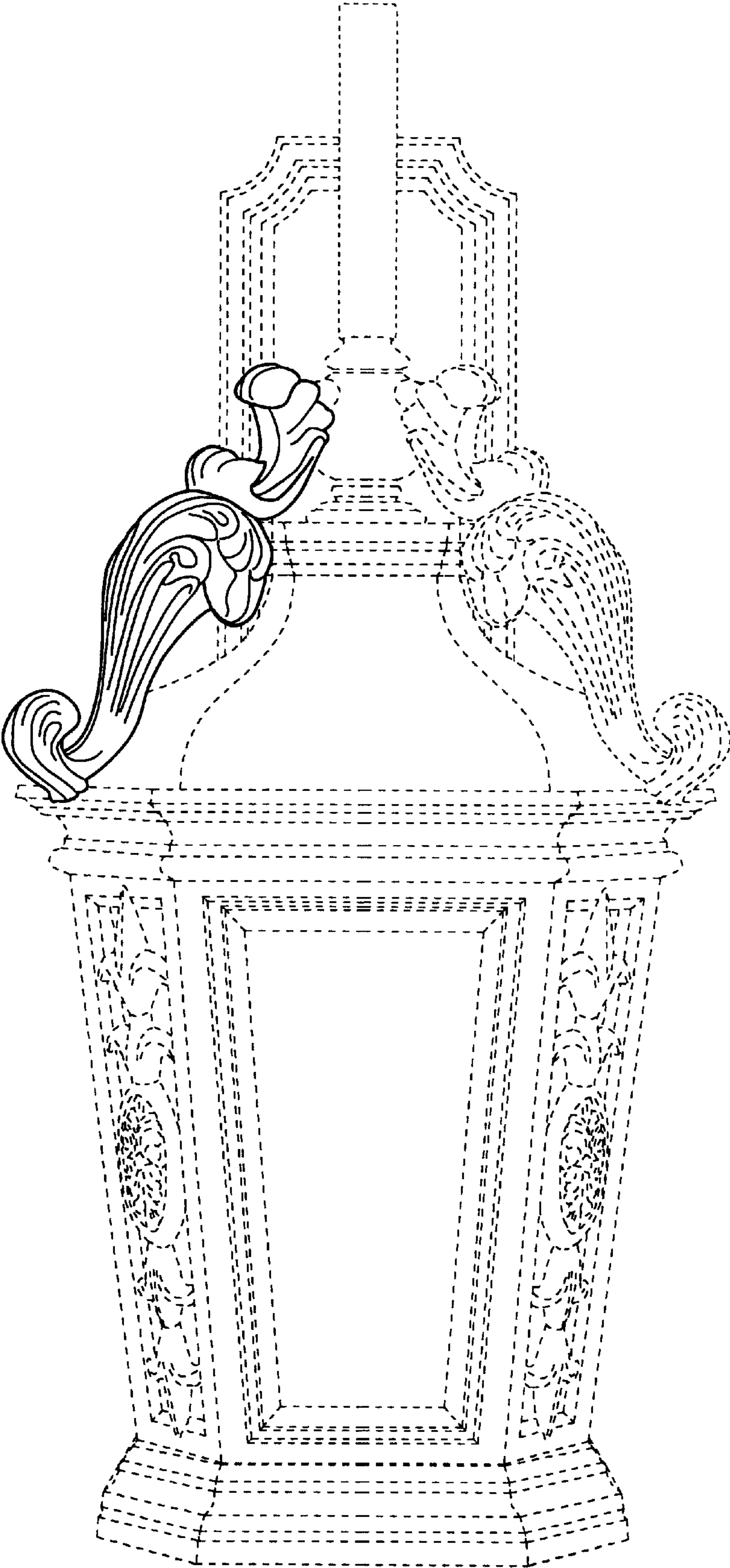




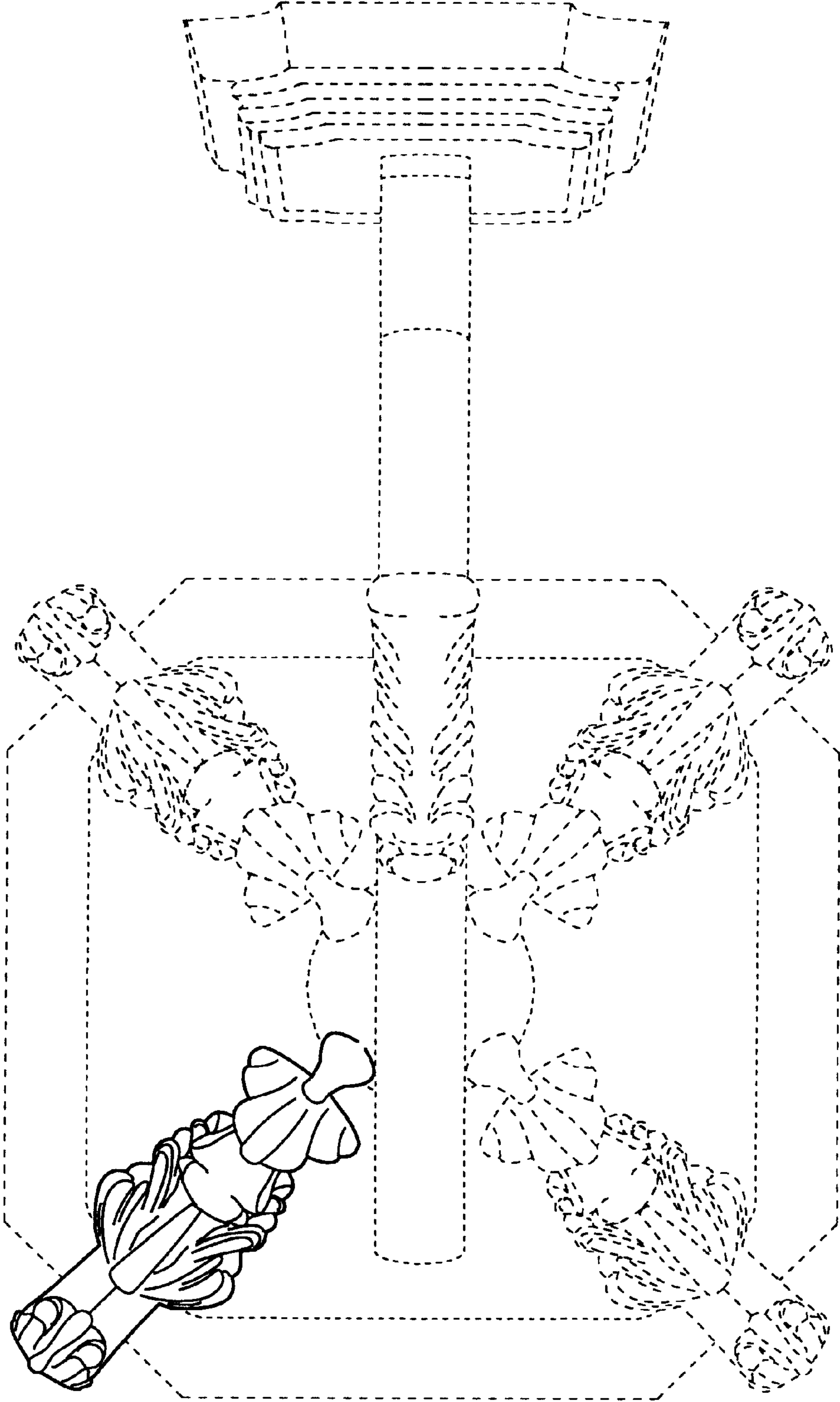
*Fig.2*



*Fig.3*



*Fig.4*



*Fig.5*