



US00D511855S

(12) **United States Design Patent** (10) **Patent No.:** **US D511,855 S**
De'Armond (45) **Date of Patent:** **** Nov. 22, 2005**

(54) **LAMP HOUSING**

(75) Inventor: **Robert De'Armond**, Temecula, CA (US)

(73) Assignee: **Minka Lighting, Inc.**, Corona, CA (US)

(**) Term: **14 Years**

(21) Appl. No.: **29/218,224**

(22) Filed: **Nov. 29, 2004**

(51) **LOC (8) Cl.** **26-99**

(52) **U.S. Cl.** **D26/128; D26/118; D26/72**

(58) **Field of Search** D26/24, 67, 71, D26/72, 85-92, 142, 145, 149, 152, 154, 155, 118, 128-137; 362/147, 404-408, 432, 455, 457

(56) **References Cited**

U.S. PATENT DOCUMENTS

D60,460 S	*	2/1922	Kranz	D26/91
D66,189 S	*	12/1924	Jaeger	D26/87
D69,925 S	*	4/1926	Villaret	D26/142
D76,062 S	*	8/1928	Shortt	D26/87
D428,662 S	*	7/2000	Jaspers-Fayer et al.	D26/67
D438,660 S		3/2001	De'Armond et al.		
D439,362 S	*	3/2001	Berry	D26/87
D456,934 S	*	5/2002	Hsu	D26/87
6,767,117 B2	*	7/2004	De'Armond	362/432

OTHER PUBLICATIONS

Kichler Lighting Catalog No. 104, ©2004; (1 page) item 9417—"Londonderry" on p. 301.*
 Progress Lighting Product Catalog No. 126 ©2004; (1 page) item P5637-86—"Gilcrest" on p. 395.*
 U.S. Appl. No. 29/218,223, Robert De'Armond.

U.S. Appl. No. 29/218,255, Robert De'Armond.
 U.S. Appl. No. 29/218,261, Robert De'Armond.
 U.S. Appl. No. 29/218,276, Robert De'Armond.
 Maxim Lighting; MAX-20402-CDOB; printed from www.lamps-lighting.com; Oct. 17, 2004; Old World Model; One Page.

The Great Outdoors 2004 Catalog by Minka-Lavery; Minka Lighting, Inc., U.S.A.; Jan. 2004; Stratford Hall Model; pp. 14-17.

The Great Outdoors 2004 Catalog by Minka-Lavery; Minka Lighting, Inc., U.S.A.; Jan. 2004; Townhouse Model; pp. 18-19.

* cited by examiner

Primary Examiner—Clare E Heflin

(74) *Attorney, Agent, or Firm*—Baker & McKenzie LLP

(57) **CLAIM**

The ornamental design for a lamp housing, as shown and described.

DESCRIPTION

FIG. 1 is a perspective view from above of a lamp housing in accordance with my design;

FIG. 2 is a perspective view from below of the lamp housing in accordance with my design;

FIG. 3 is a side elevation view of the lamp housing in accordance with my design;

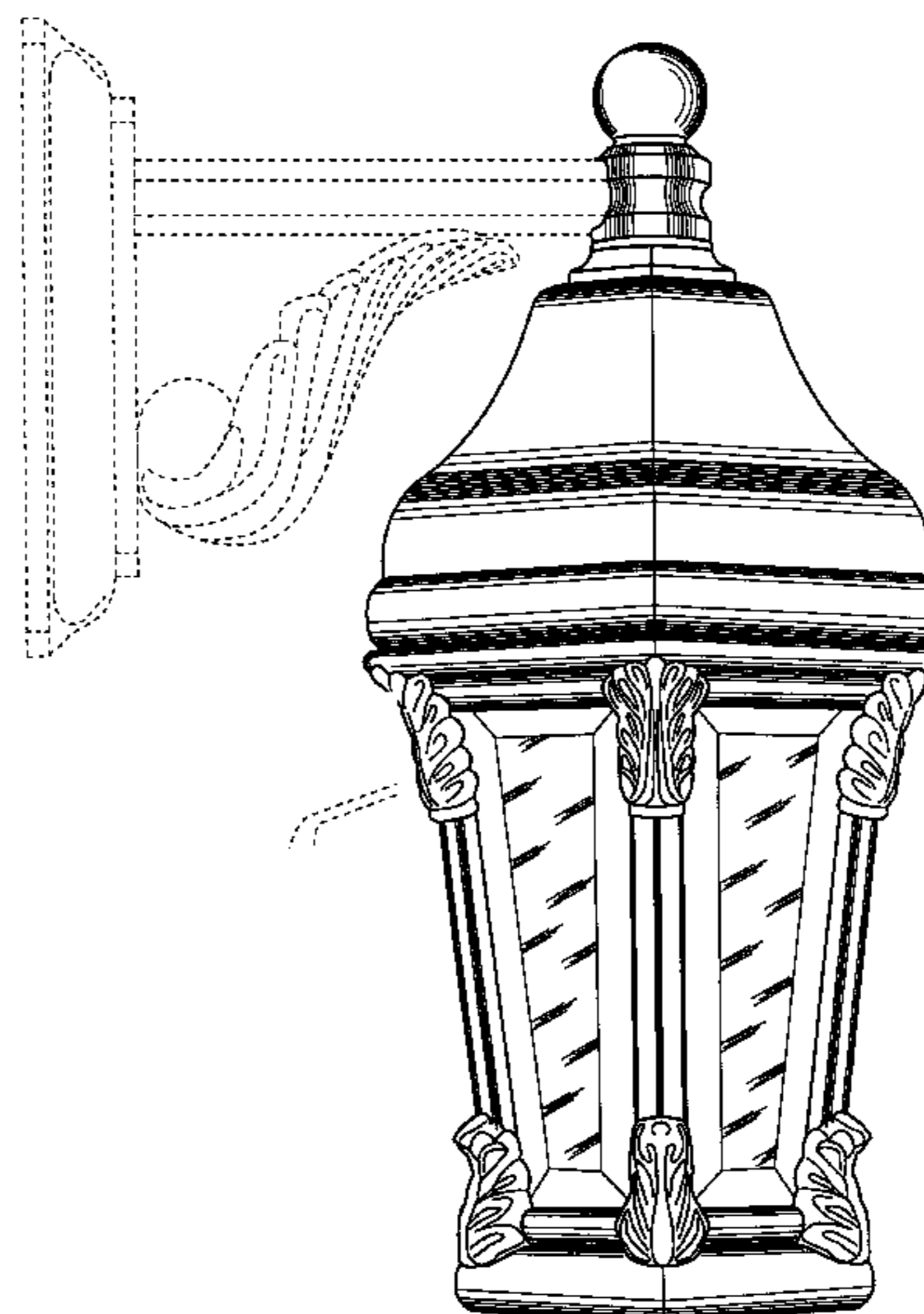
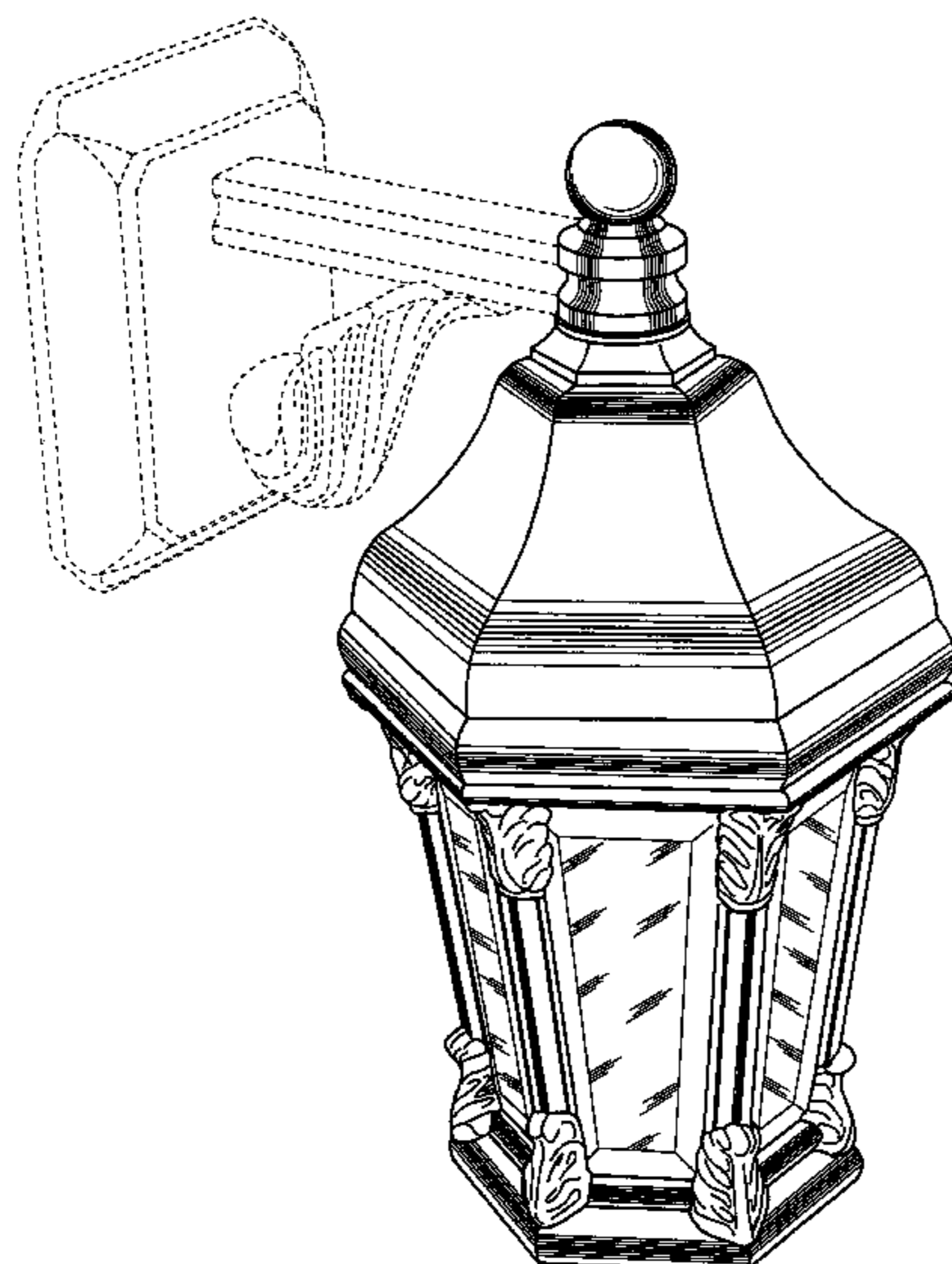
FIG. 4 is a front elevation view of the lamp housing in accordance with my design;

FIG. 5 is a top plan view of the lamp housing in accordance with my design; and,

FIG. 6 is a bottom plan view of the lamp housing in accordance with my design.

The broken lines showing environmental structure are for illustrative purposes and form no part of the claimed design.

1 Claim, 6 Drawing Sheets



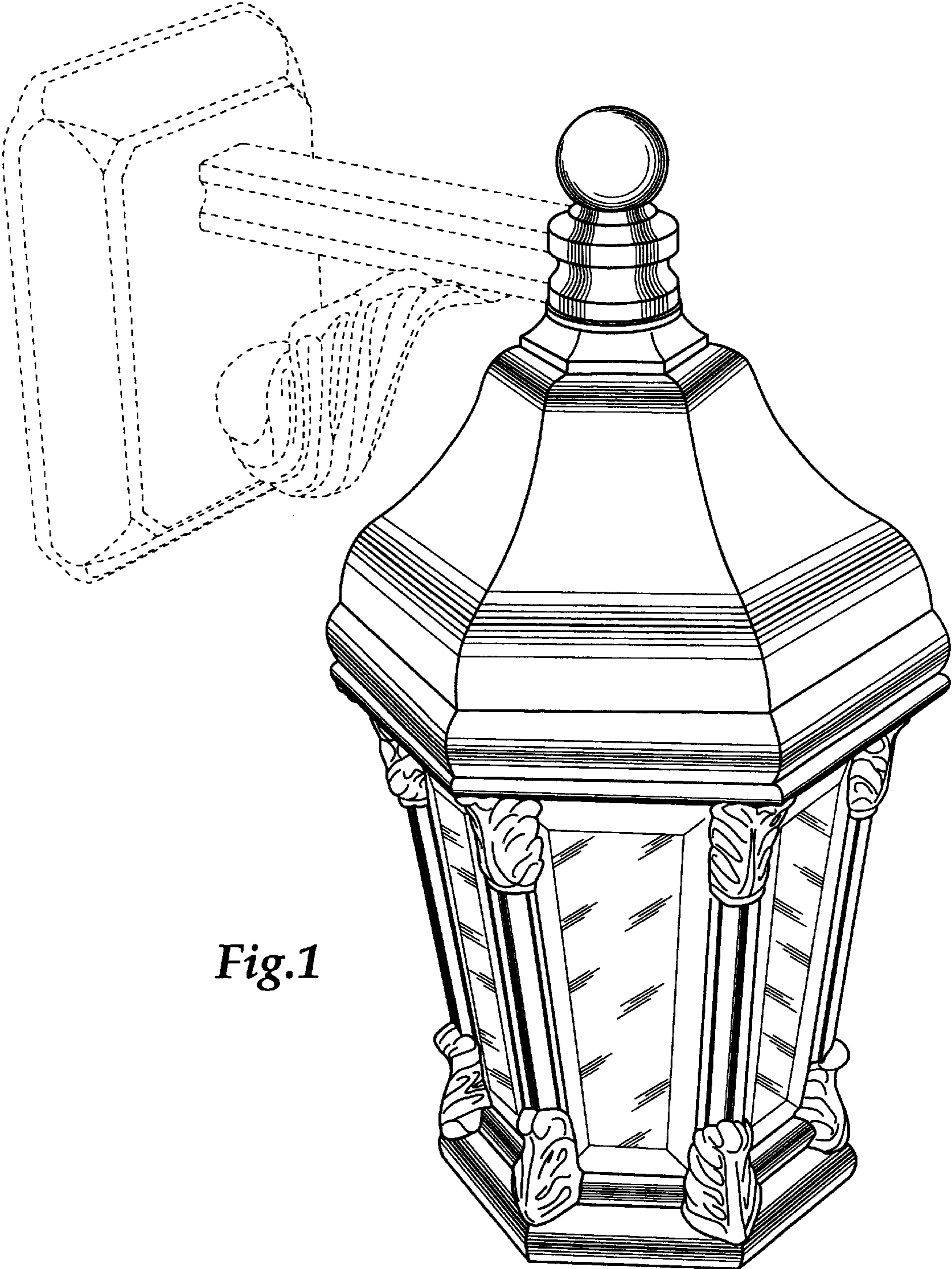


Fig.1

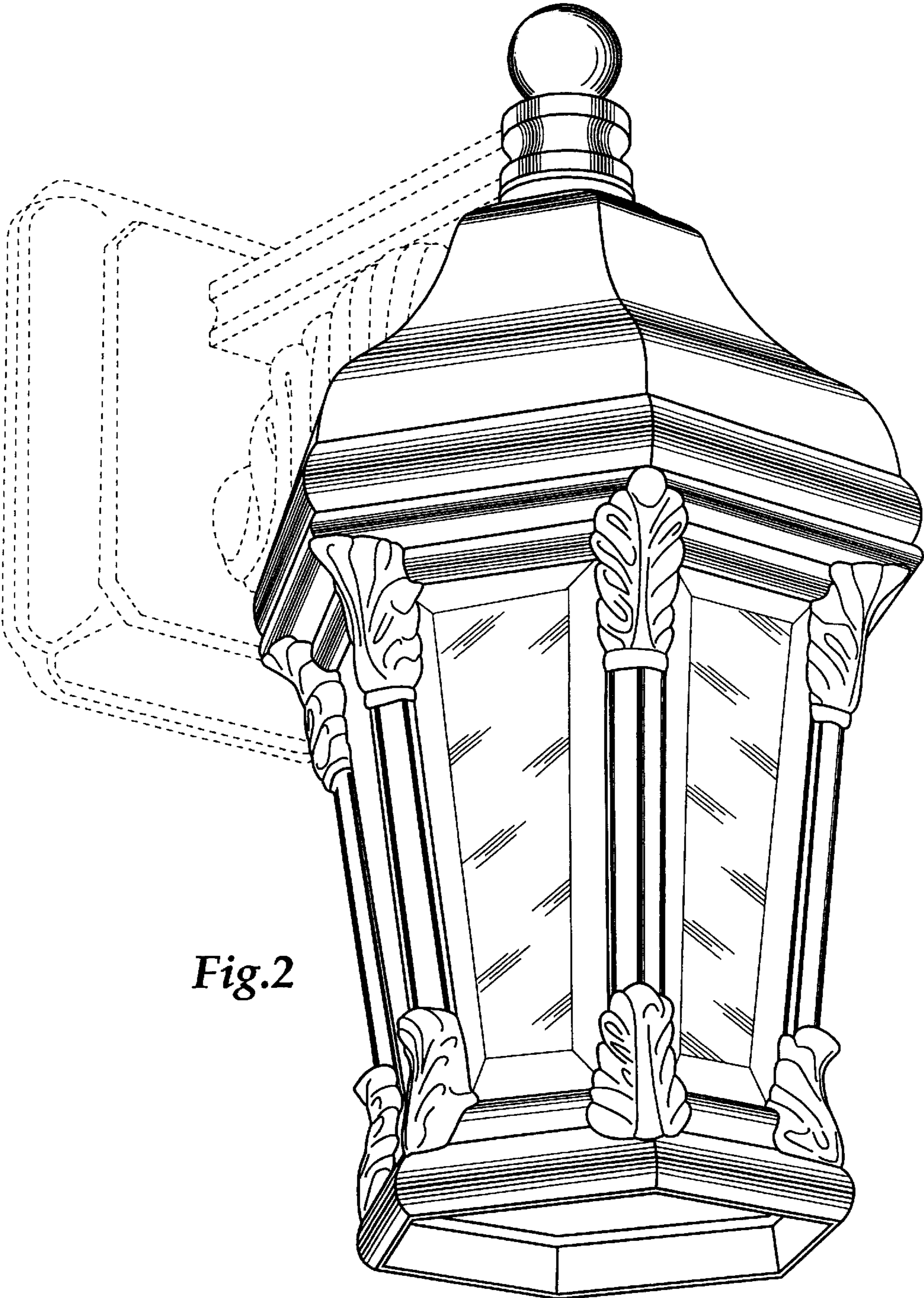


Fig.2

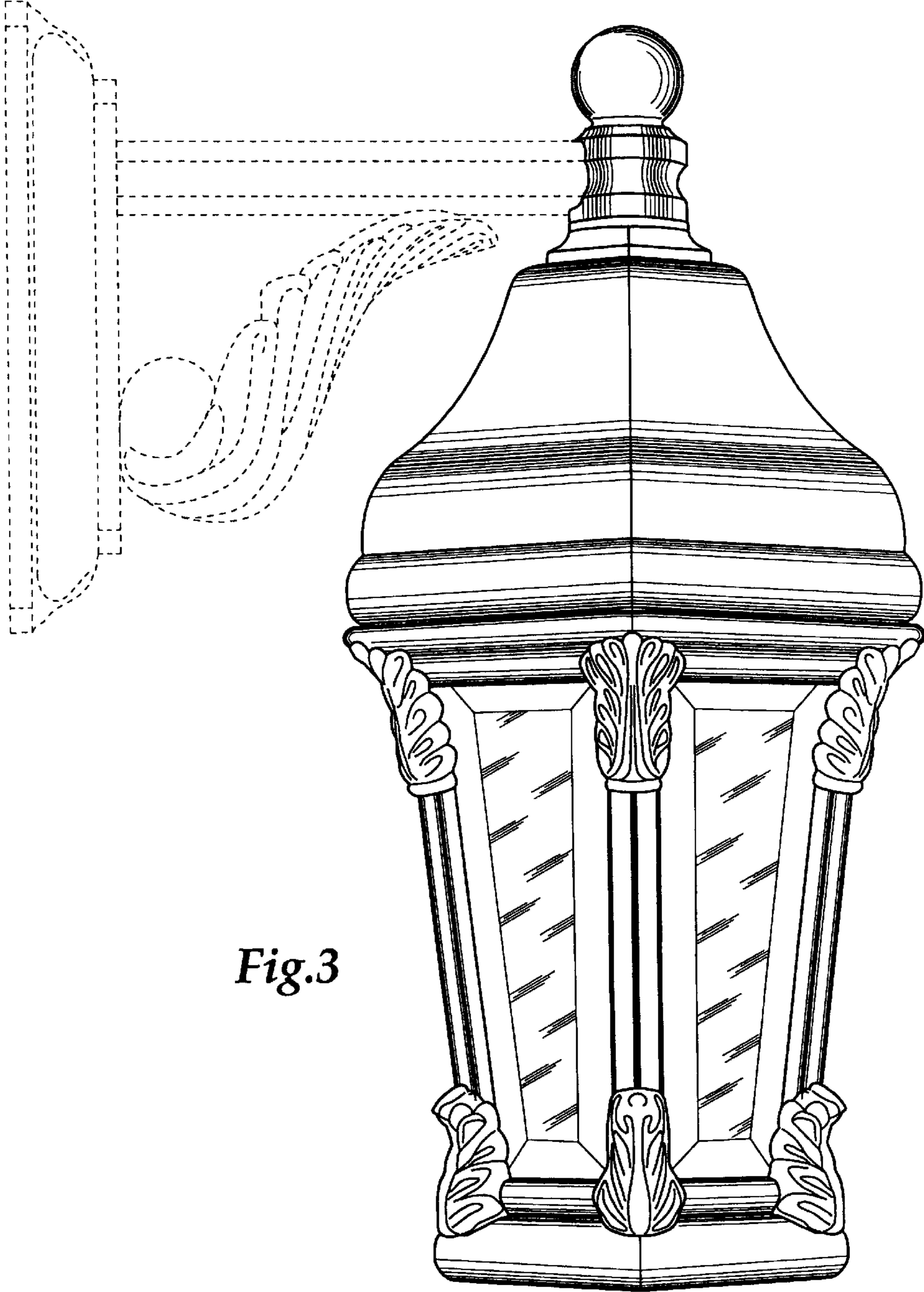


Fig.3

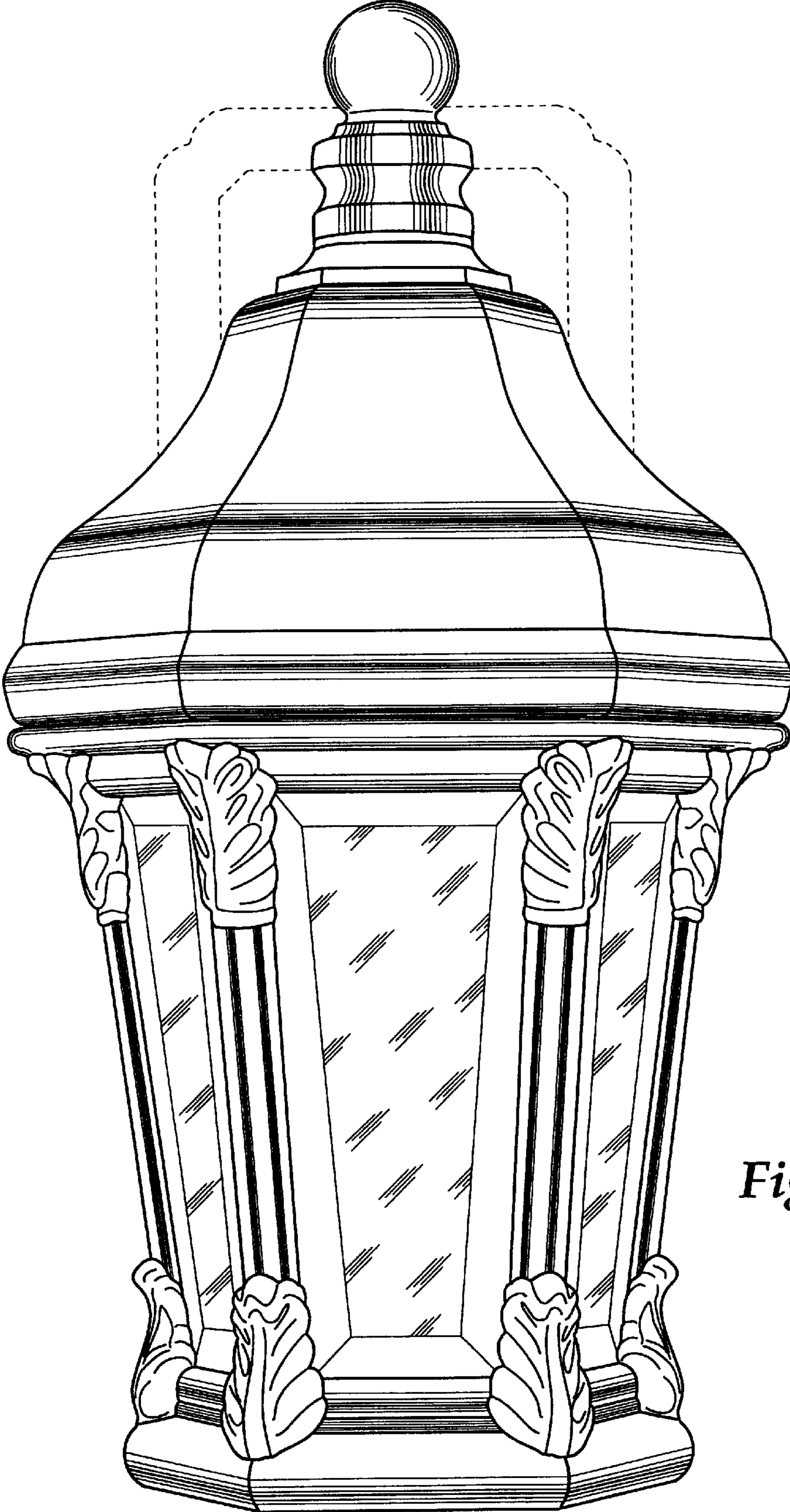


Fig.4

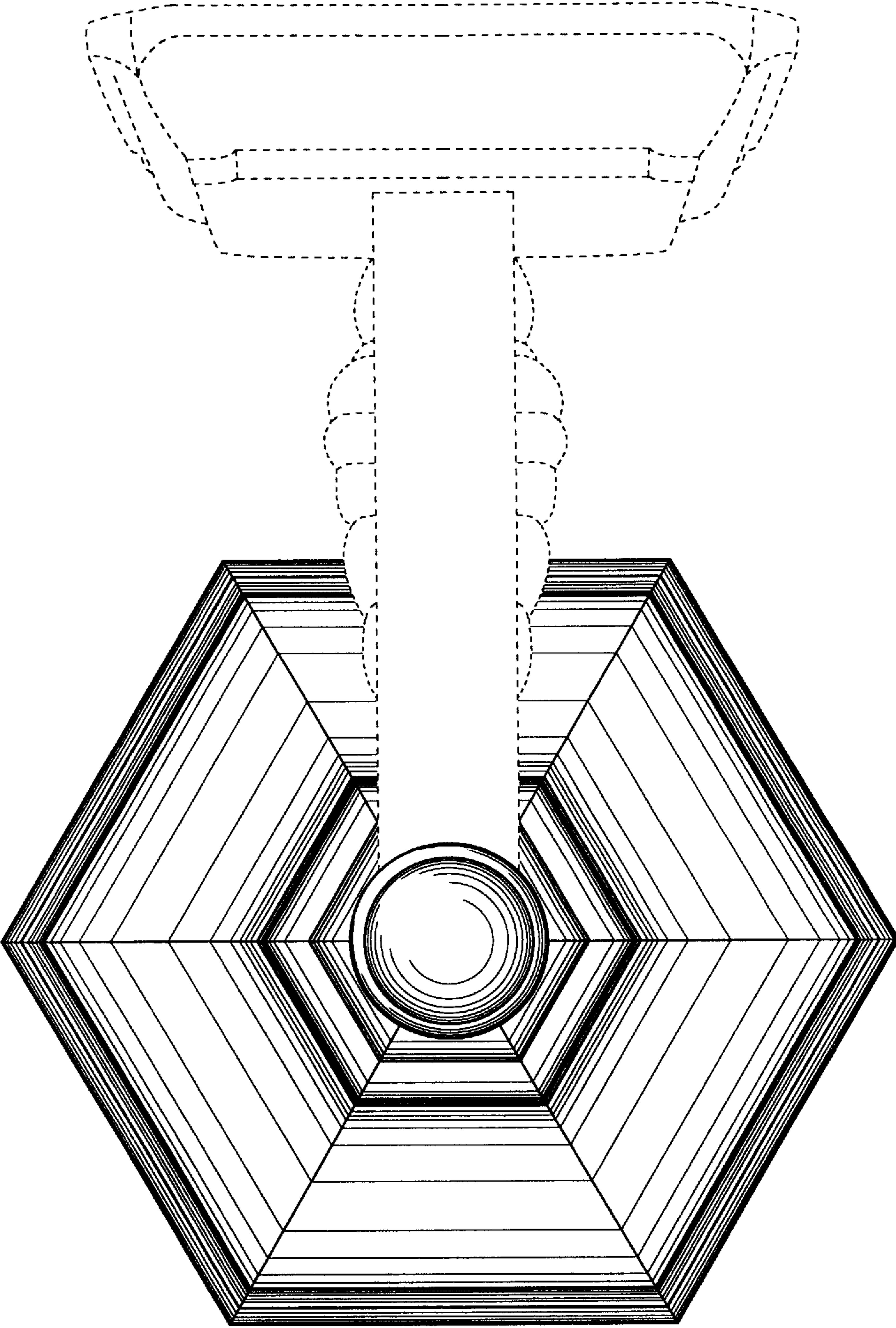


Fig.5

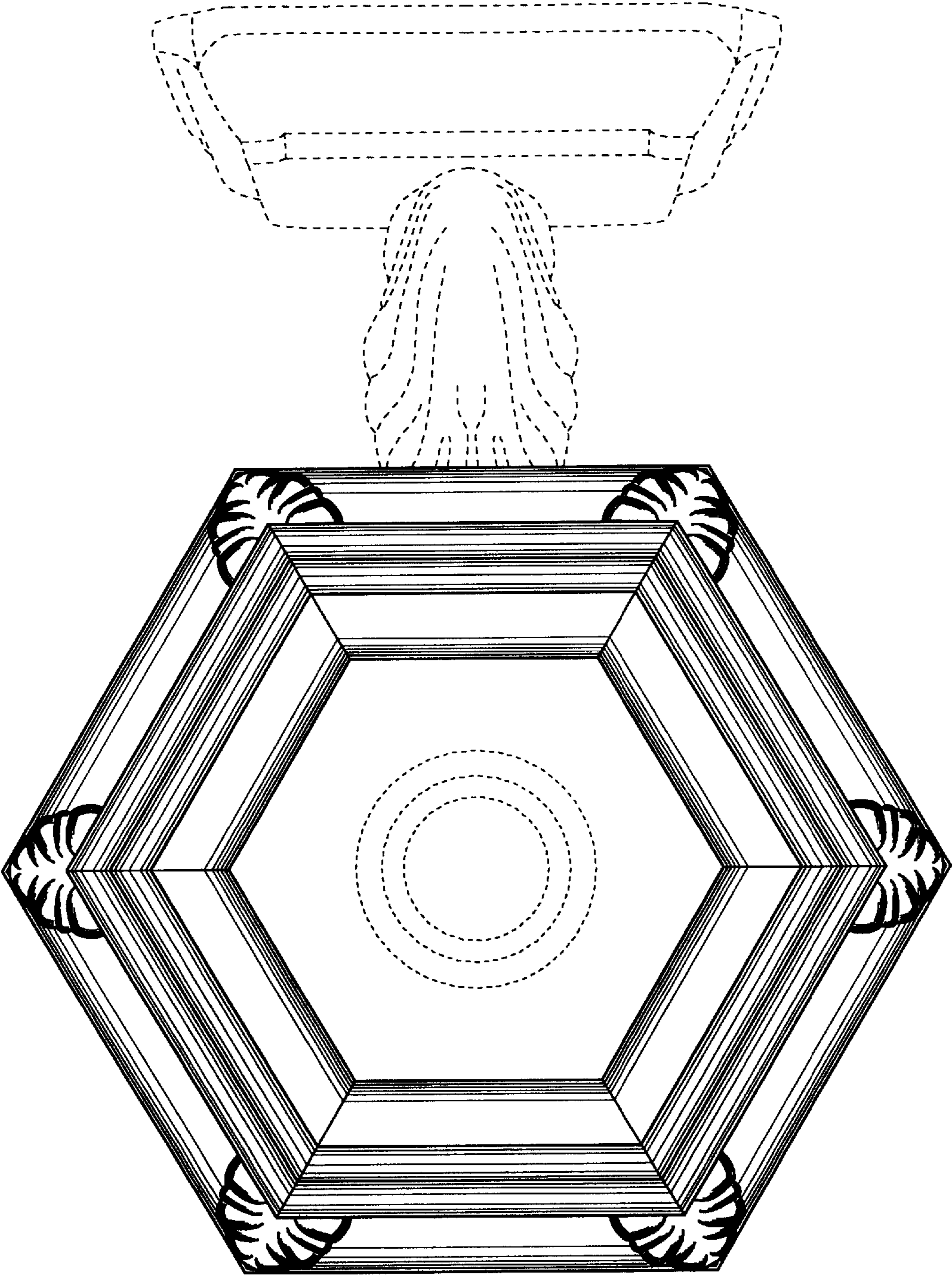


Fig.6