



US00D511854S

(12) **United States Design Patent**  
**Gaitan**

(10) **Patent No.: US D511,854 S**

(45) **Date of Patent: \*\* Nov. 22, 2005**

(54) **WORLD TRADE CENTER 9/11 BUILDING  
MONUMENT MEMORIAL LAMP**

*Primary Examiner*—Alan P. Douglas  
*Assistant Examiner*—Linda Brooks

(76) **Inventor: Antonio Angel Mariscal Gaitan, C/.**  
Carroza, 46, 14620 El Carpio Cordoba  
(ES)

(57) **CLAIM**

I claim the ornamental design for a World Trade Center 9/11 building monument memorial lamp, substantially as shown and described.

(\*\*) **Term: 14 Years**

**DESCRIPTION**

(21) **Appl. No.: 29/200,932**

FIG. 1 is a perspective view of the World Trade Center 9/11 building monument memorial lamp of the invention.

(22) **Filed: Mar. 8, 2004**

FIG. 2 is a top view of the World Trade Center 9/11 building monument memorial lamp of the invention.

(30) **Foreign Application Priority Data**

Dec. 11, 2003 (ES) ..... 157712

FIG. 3 is a bottom view of the World Trade Center 9/11 building monument memorial lamp of the invention.

(51) **LOC (8) Cl. .... 26-05**

(52) **U.S. Cl. .... D26/95**

FIG. 4 is a front view of the World Trade Center 9/11 building monument memorial lamp of the invention.

(58) **Field of Search** ..... D26/51, 57, 58,  
D26/93-95; 362/97, 125, 145, 565, 410-414,  
311, 806; D6/399; D11/131, 157; D99/17,  
24

FIG. 5 is a right side view of the World Trade Center 9/11 building monument memorial lamp of the invention.

FIG. 6 is a left side view of the World Trade Center 9/11 building monument memorial lamp of the invention.

(56) **References Cited**

**U.S. PATENT DOCUMENTS**

D153,326 S	*	4/1949	Swanson	.....	D26/104
D447,893 S	*	9/2001	Simonelli et al.	.....	D26/58
D475,500 S	*	6/2003	Zou	.....	D99/17
D487,524 S	*	3/2004	Lin	.....	D26/51
6,712,494 B1	*	3/2004	Hodge	.....	362/565

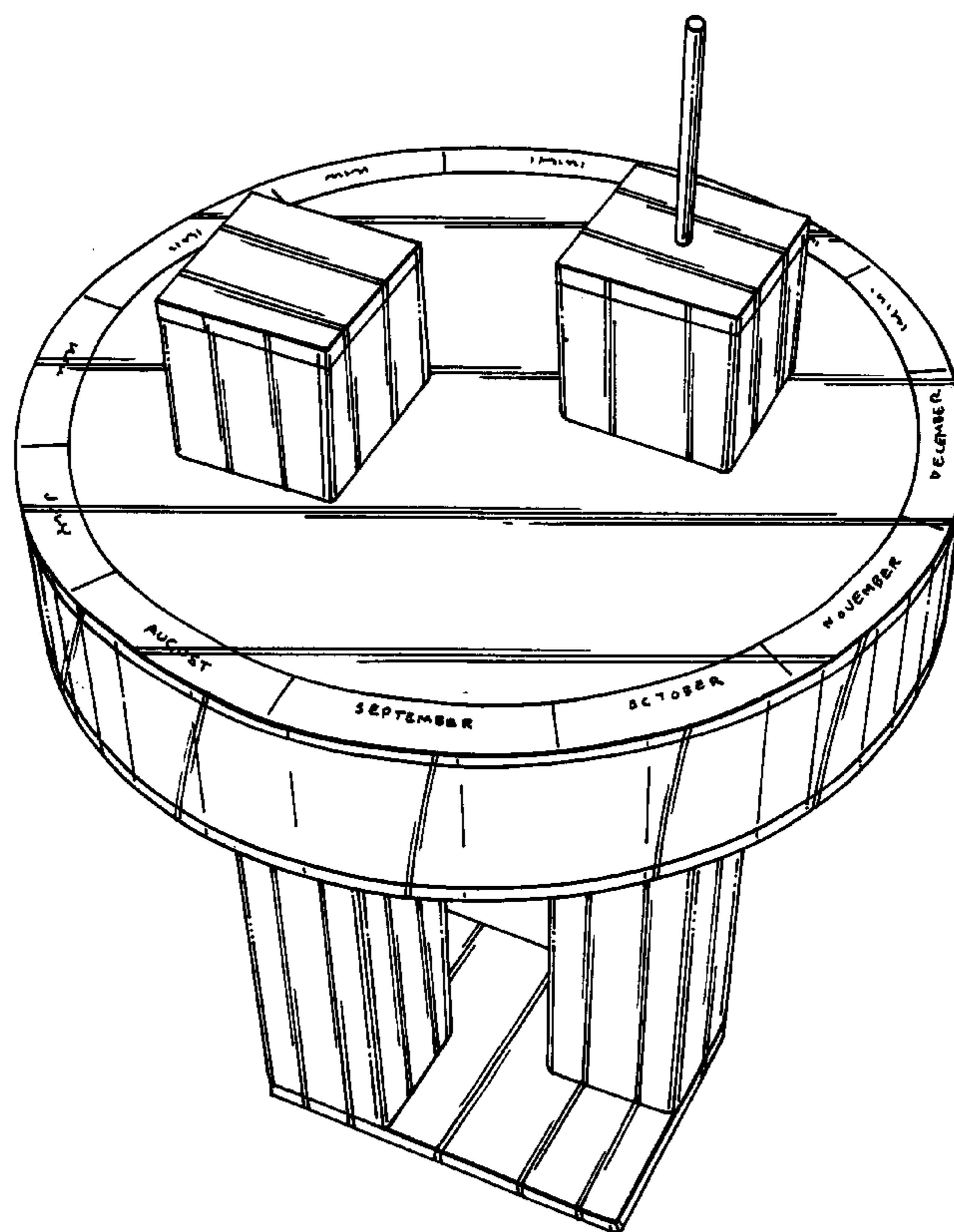
FIG. 7 is a rear view of the World Trade Center 9/11 building monument memorial lamp of the invention; and,

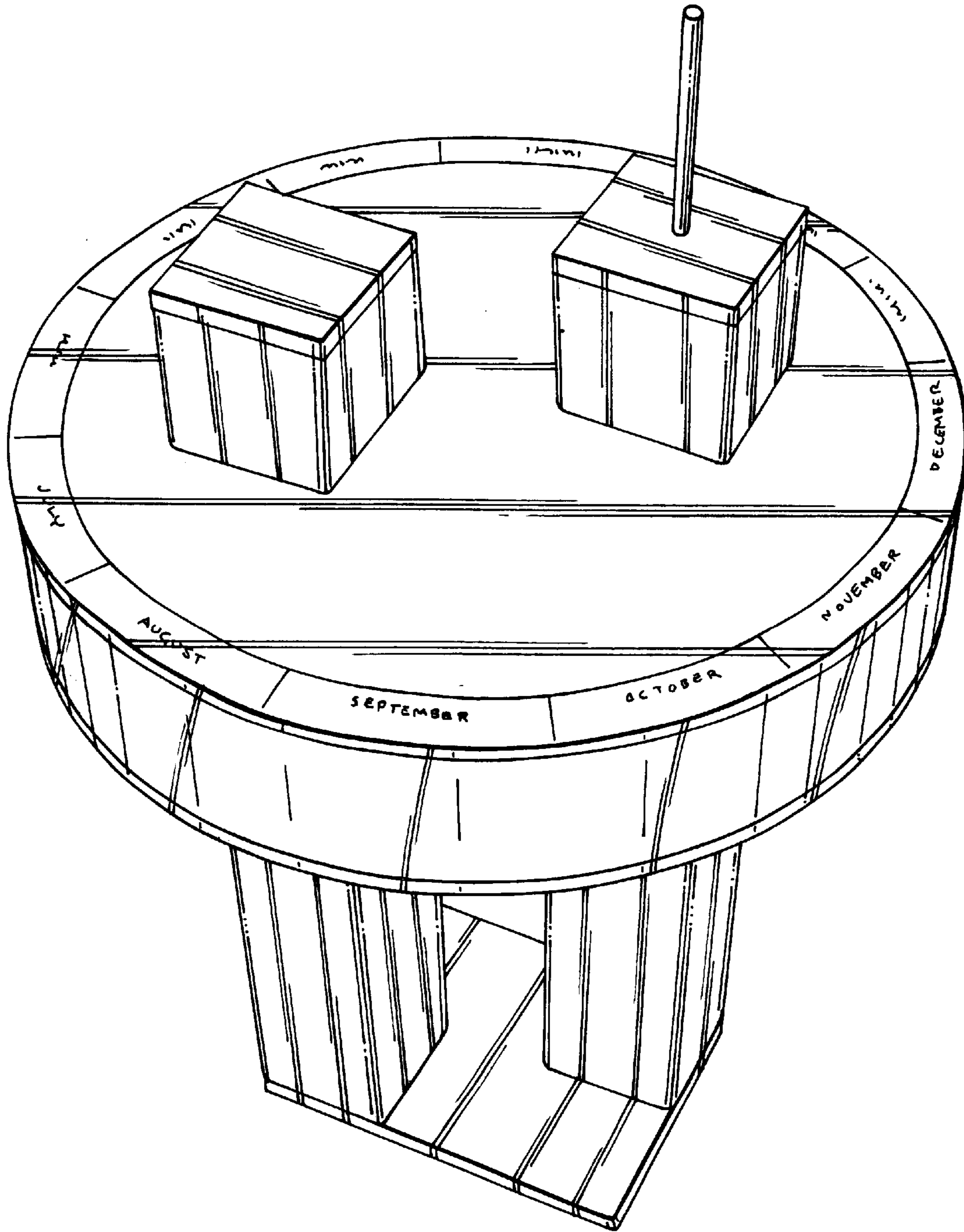
FIG. 8 is a perspective view of the World Trade Center 9/11 building monument memorial lamp of the invention similar to FIG. 1, shown with the September 11<sup>th</sup> position illuminated.

The simulative antenna is shown broken away in FIGS. 4, 5, 6 and 7 for convenience of illustration.

\* cited by examiner

**1 Claim, 5 Drawing Sheets**





*Fig. 1*

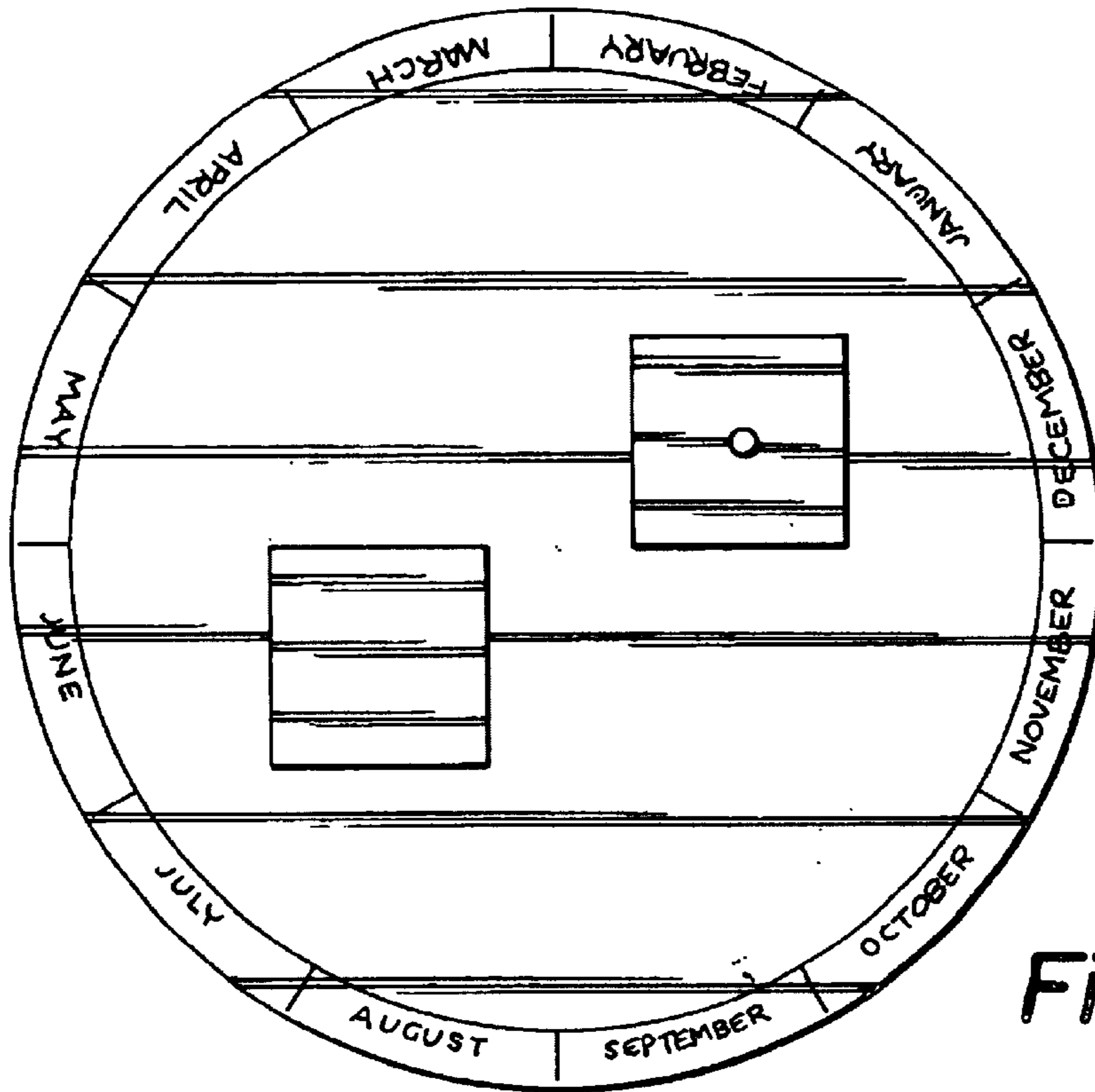


Fig. 2

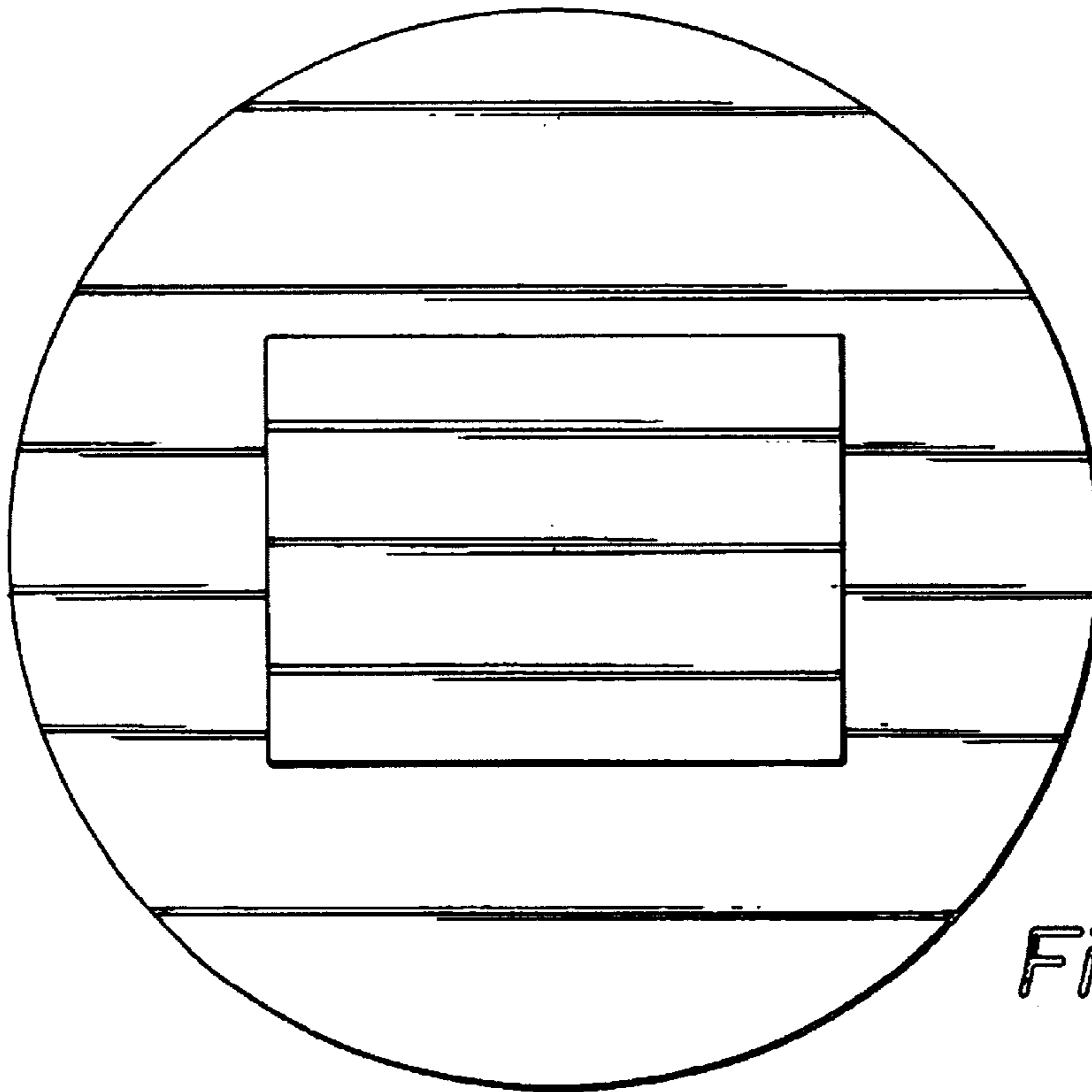


Fig. 3

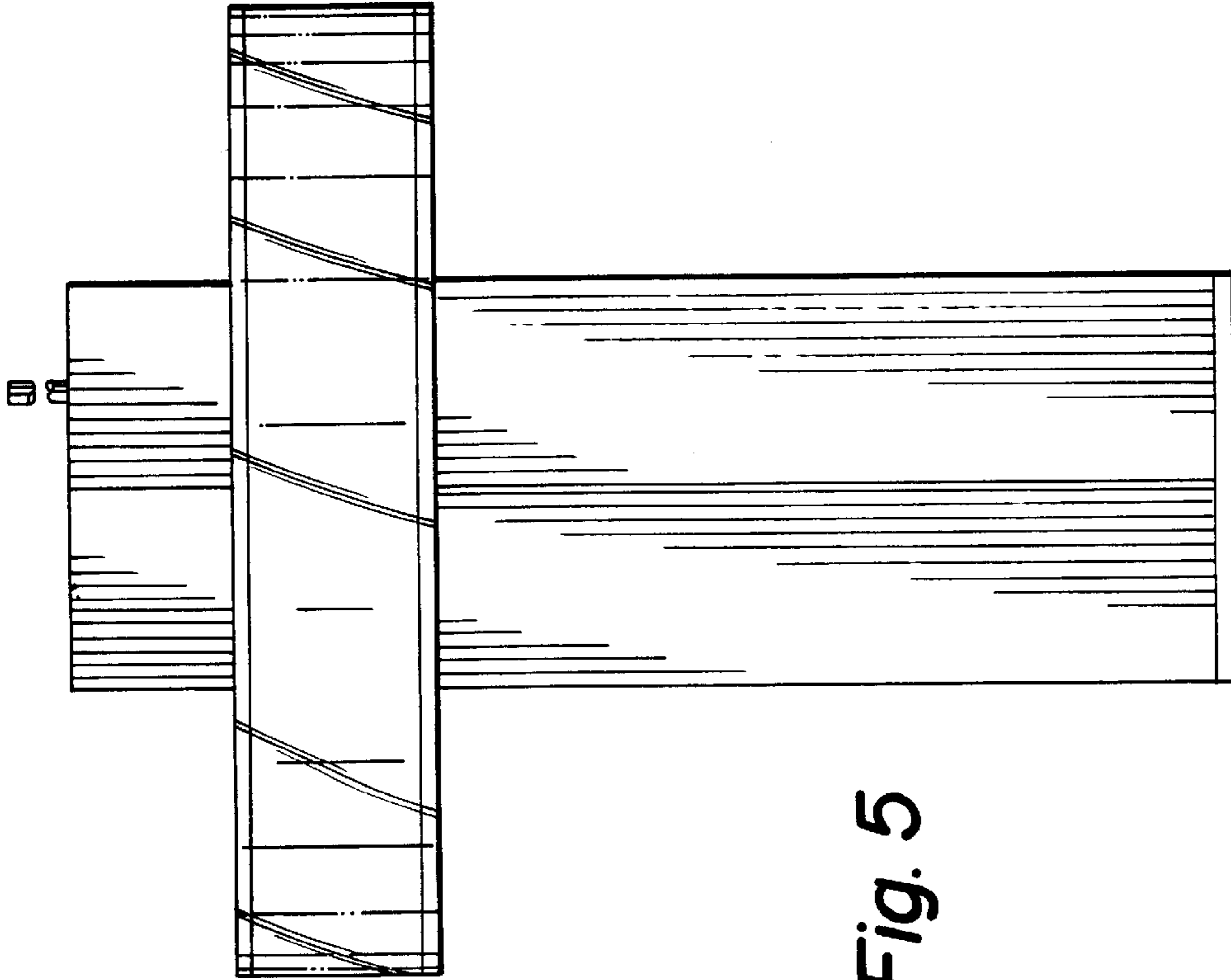


Fig. 5

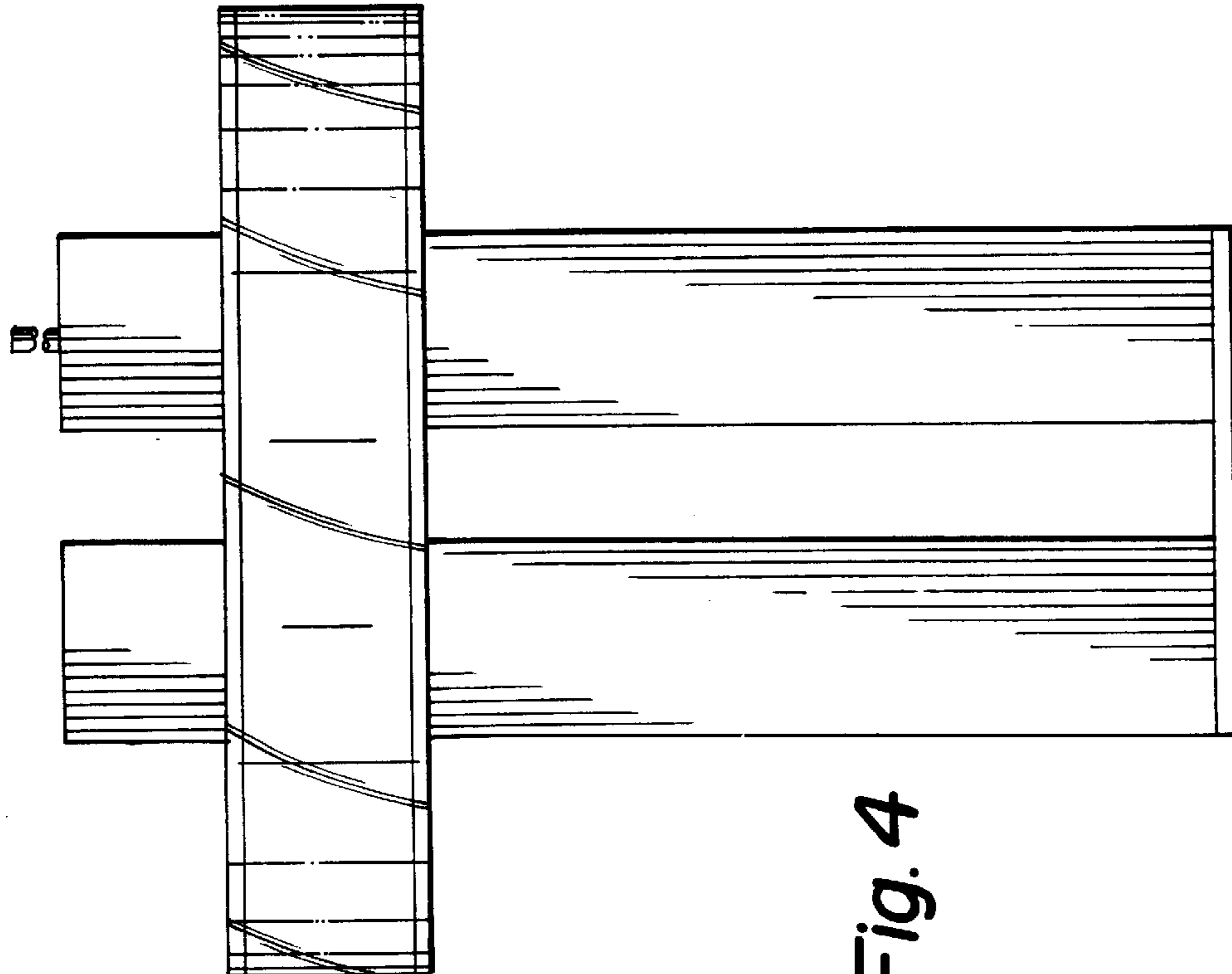


Fig. 4

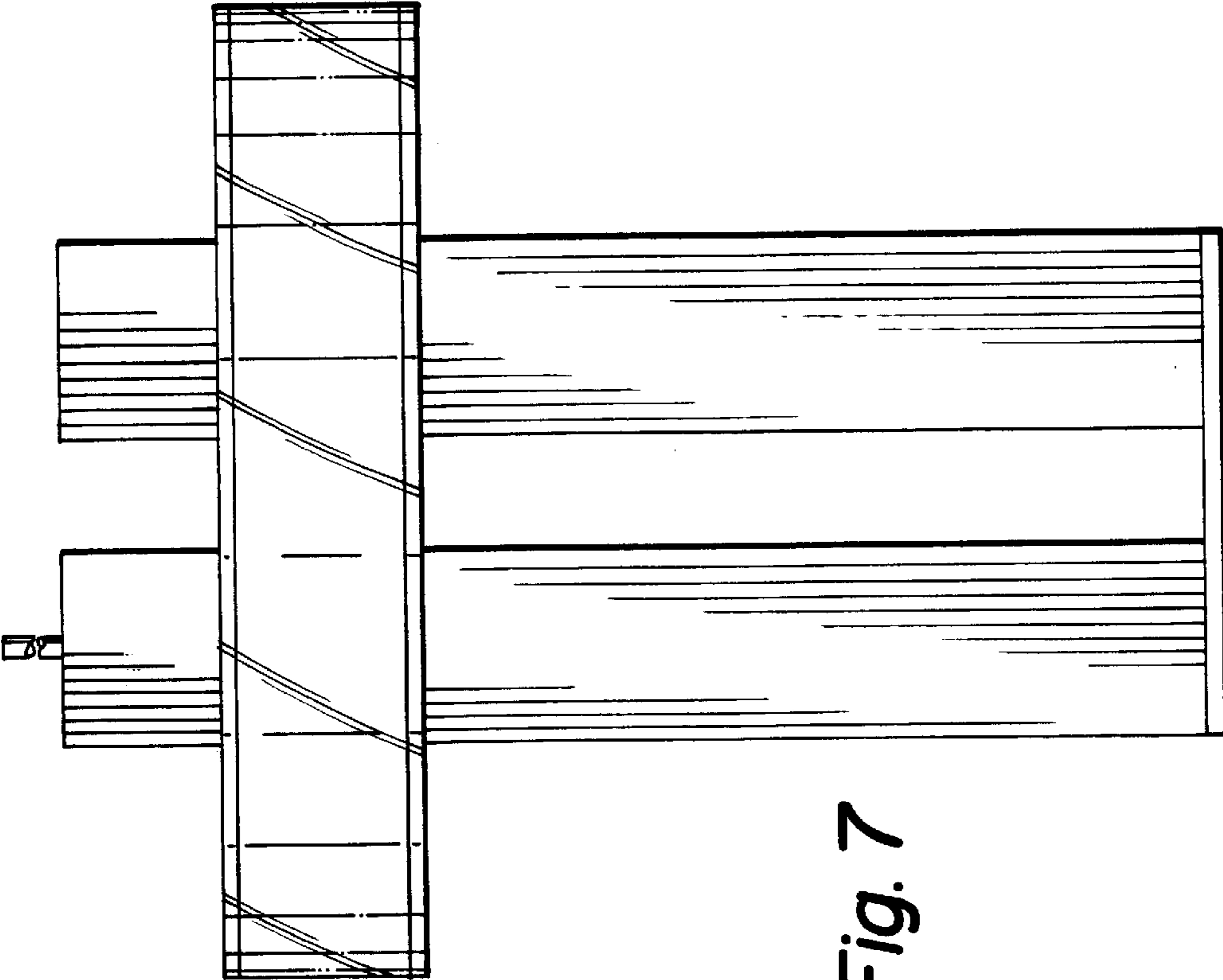


Fig. 7

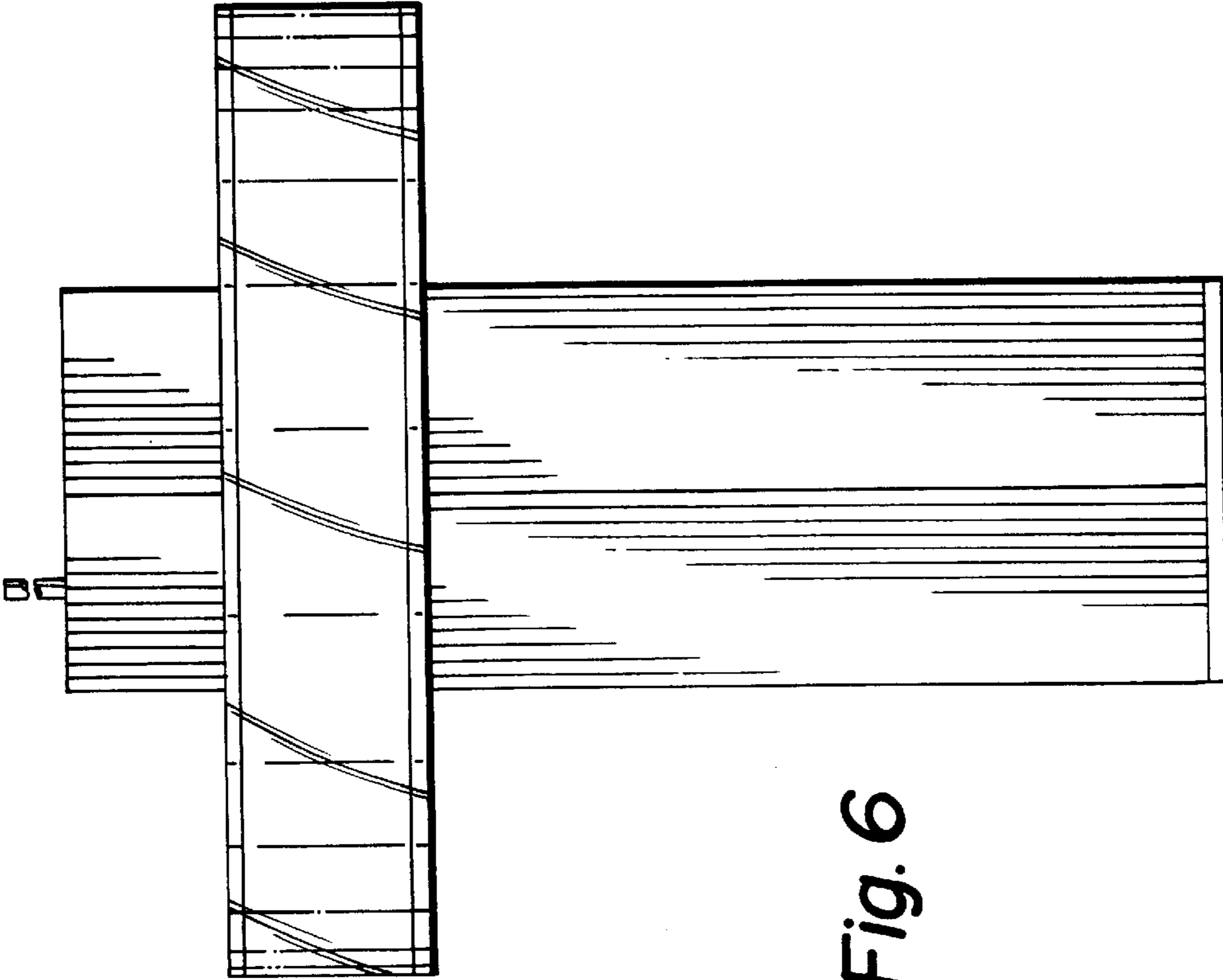
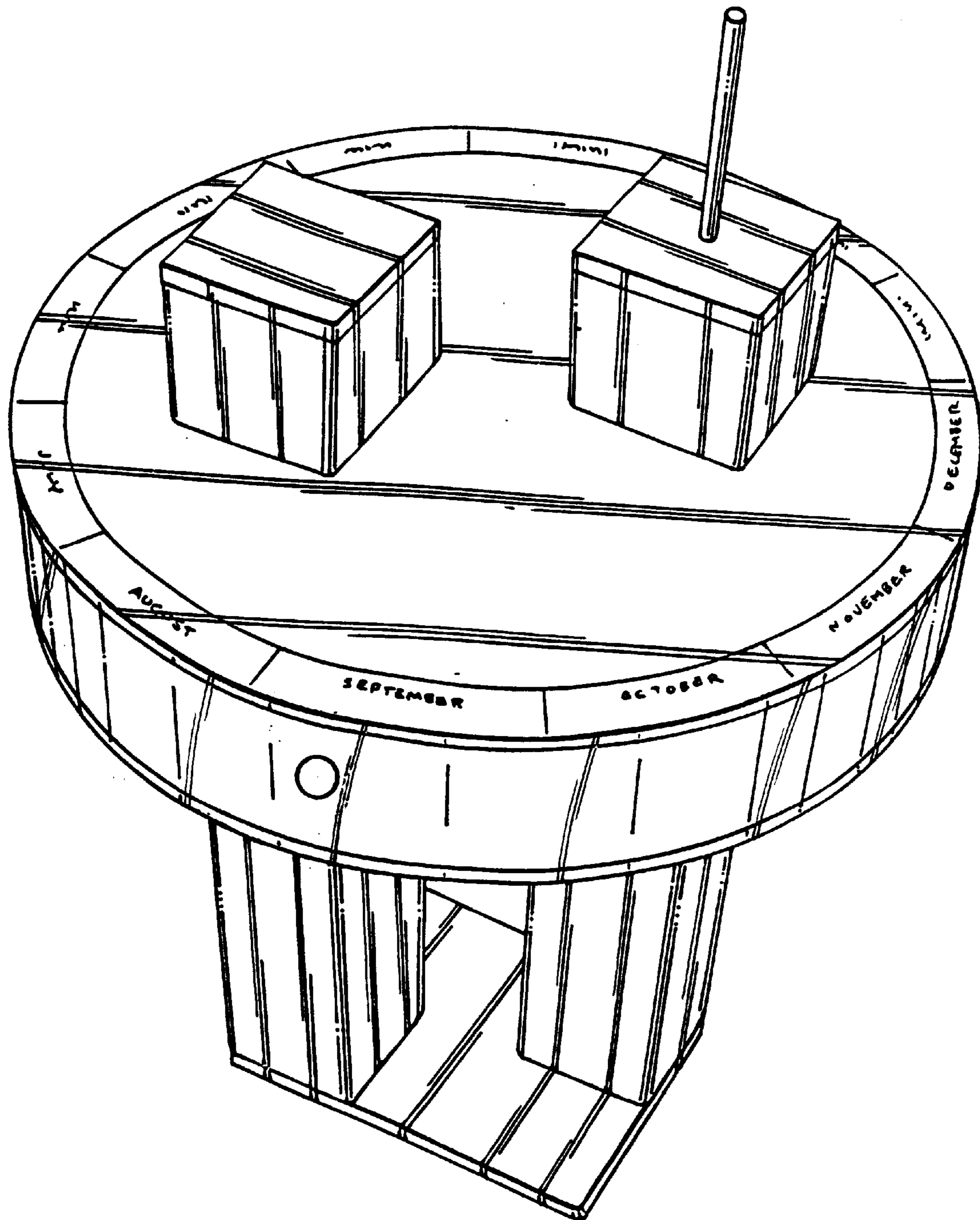


Fig. 6



*Fig. 8*