



US00D511852S

(12) **United States Design Patent**
Benensohn

(10) **Patent No.:** **US D511,852 S**
(45) **Date of Patent:** **** Nov. 22, 2005**

(54) **LIGHTING FIXTURE**

(75) Inventor: **Sanford H. Benensohn**, Valencia, CA (US)
(73) Assignee: **Lusa Lighting, Inc.**, Valencia, CA (US)
(**) Term: **14 Years**

(21) Appl. No.: **29/217,686**
(22) Filed: **Nov. 22, 2004**

(51) **LOC (8) Cl.** **26-03**
(52) **U.S. Cl.** **D26/76; D26/89**
(58) **Field of Search** **D26/72, 75-78, D26/85, 88, 89; 362/217-225**

(56) **References Cited**

U.S. PATENT DOCUMENTS

D129,836 S	*	10/1941	Keogel	D26/76
D140,303 S	*	2/1945	Lepore	D26/76
D141,068 S	*	5/1945	Maurette	D26/76
3,134,498 A	*	5/1964	Lessner et al.	220/3.8
D319,513 S	*	8/1991	Vande Kieft	D26/88
5,207,504 A	*	5/1993	Swift et al.	362/217
6,126,297 A	*	10/2000	Matsui et al.	362/231
6,435,701 B1	*	8/2002	Chen	362/217

OTHER PUBLICATIONS

Kichler Lighting's 2004 catalog, No. 104. Item 10014ES/10157 on top left of p. 243.*
Progress Lighting's 2004 Product Catalog No. 126. Items P7219-60, P7222-60 and P7220-60—"Square-Sided Clouds" p. 313.*

* cited by examiner

Primary Examiner—Clare E Heflin

(74) *Attorney, Agent, or Firm*—Michael A. Painter

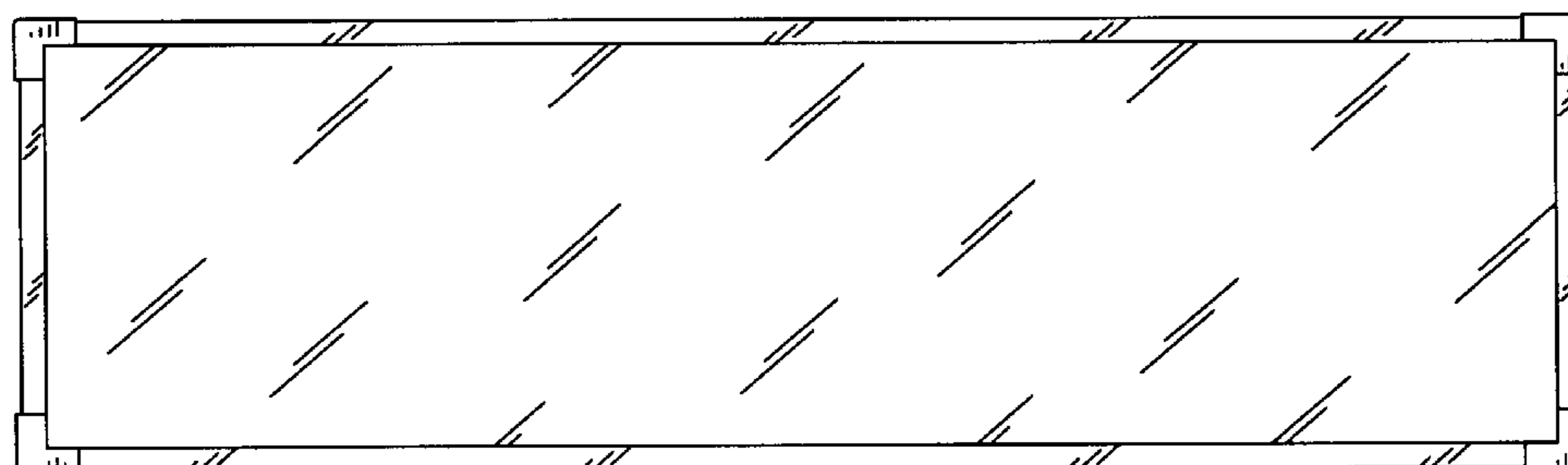
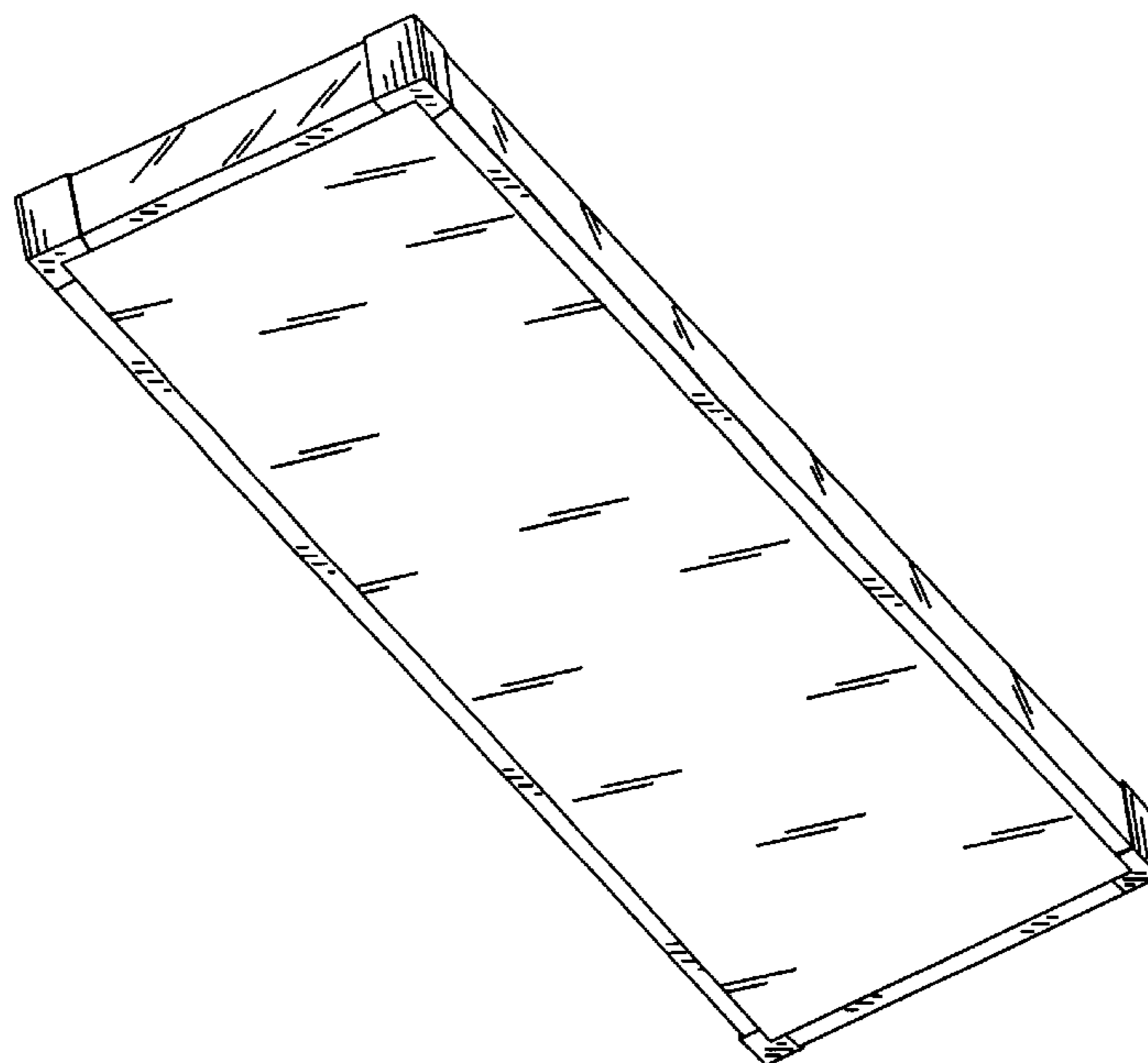
(57) **CLAIM**

The ornamental design for a lighting fixture, as shown and described.

DESCRIPTION

FIG. 1 is a bottom perspective view of a lighting fixture illustrating my new design;
FIG. 2 is bottom plan view thereof;
FIG. 3 is a top plan view thereof;
FIG. 4 is a front view thereof, the rear view being identical; and,
FIG. 5 is a left side elevation view thereof, the right side elevation view being identical.

1 Claim, 2 Drawing Sheets



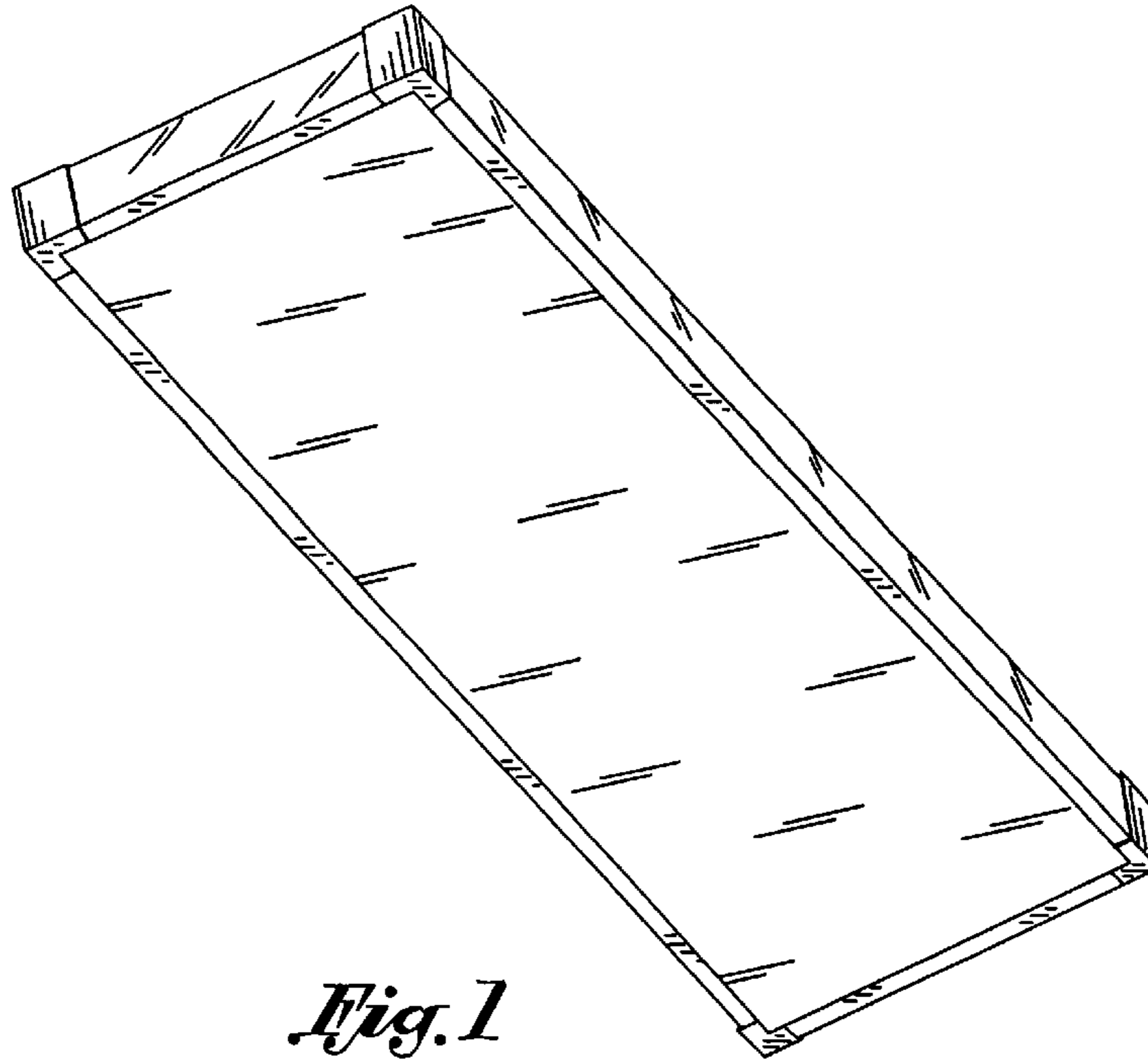


Fig. 1

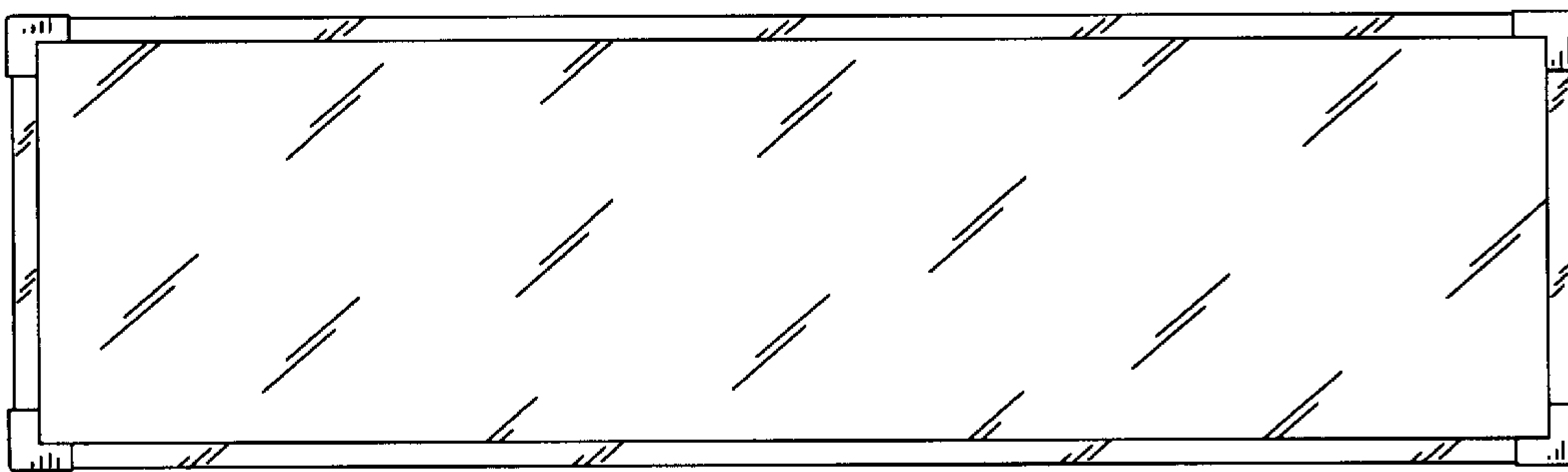


Fig. 2

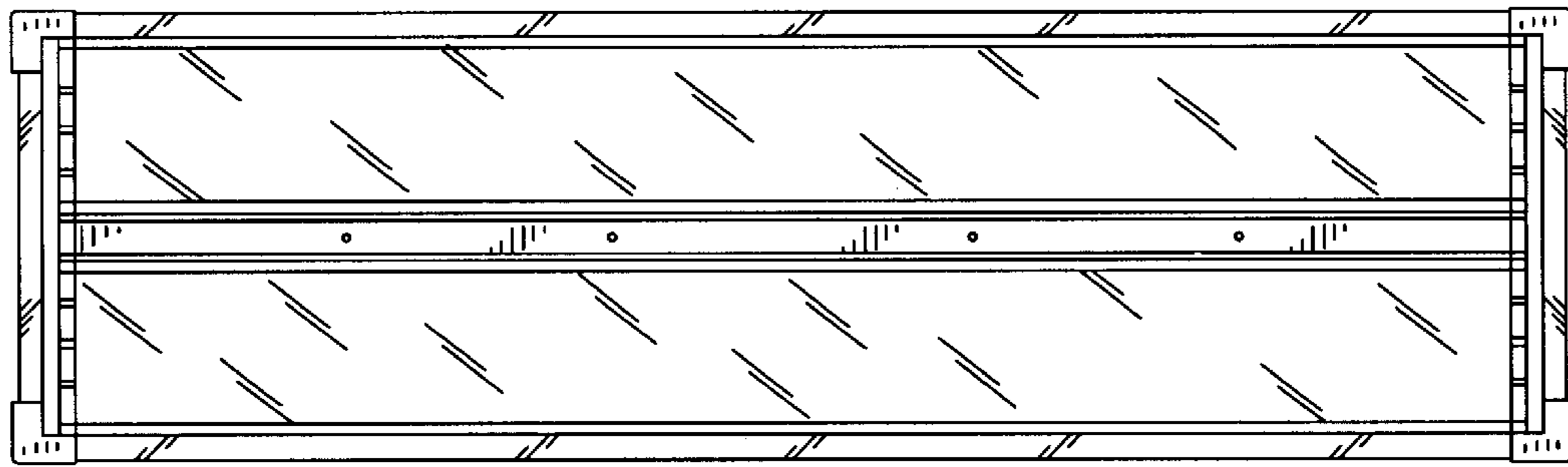


Fig. 3

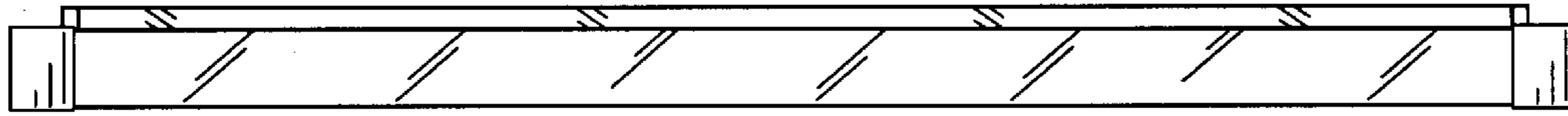


Fig. 4

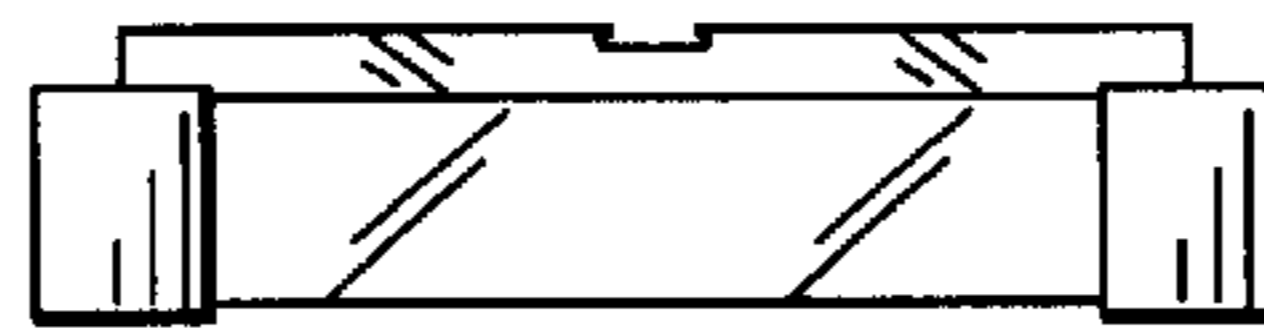


Fig. 5