



US00D511848S

(12) **United States Design Patent**
Ciepliski

(10) **Patent No.: US D511,848 S**
(45) **Date of Patent: ** Nov. 22, 2005**

- (54) **ROLLABLE RIDGE VENT**
- (75) Inventor: **Dustin Ciepliski**, The Colony, TX (US)
- (73) Assignee: **Air Vent, Inc.**, Dallas, TX (US)
- (**) Term: **14 Years**
- (21) Appl. No.: **29/210,091**
- (22) Filed: **Jul. 27, 2004**
- (51) **LOC (8) Cl. 25-01**
- (52) **U.S. Cl. D25/141**
- (58) **Field of Search D25/140, 141,**
D25/55, 199; 52/56, 198, 199, 95; D23/393;
454/365, 260

- 4,280,399 A 7/1981 Cunning
- 4,325,290 A 4/1982 Wolfert
- 4,342,807 A 8/1982 Rasen et al.
- 4,554,862 A 11/1985 Wolfert
- 4,643,080 A 2/1987 Trostle et al.
- 4,676,147 A 6/1987 Mankowski
- 4,782,743 A 11/1988 Quinnell
- 4,817,506 A 4/1989 Cashman
- 4,843,953 A 7/1989 Sells
- 4,903,445 A * 2/1990 Mankowski 52/199
- 4,924,761 A 5/1990 MacLeod et al.

(Continued)

FOREIGN PATENT DOCUMENTS

GB 2186898 A 8/1987

Primary Examiner—Doris Clark
(74) *Attorney, Agent, or Firm*—Duane Morris LLP

(56) **References Cited**
U.S. PATENT DOCUMENTS

- 1,028,725 A 6/1912 Hodgson
- 1,717,728 A 6/1929 Moore
- 2,049,863 A 8/1936 Palmer
- 2,214,183 A 9/1940 Seymour
- 2,799,214 A 7/1957 Roose
- 2,868,104 A 1/1959 Holt et al.
- 2,988,980 A 6/1961 Tschudin
- 3,185,070 A 5/1965 Smith
- 3,236,170 A 2/1966 Meyer et al.
- 3,241,474 A 3/1966 Rousey et al.
- 3,303,773 A 2/1967 Smith et al.
- 3,326,113 A 6/1967 Smith et al.
- 3,481,263 A 12/1969 Belden
- D216,837 S * 3/1970 Swallow D25/141
- 3,625,134 A 12/1971 Smith
- 3,660,955 A 5/1972 Simon
- 3,949,657 A 4/1976 Sells
- 4,073,106 A 2/1978 Malott
- 4,090,435 A 5/1978 Vallee
- 4,252,590 A 2/1981 Rasen et al.

(57) **CLAIM**

The ornamental design for a rollable ridge vent, as shown and described.

DESCRIPTION

This application is related to copending design patent application Ser. No. 29/209,647 filed Jul. 19, 2004.

FIG. 1 is a top perspective view of the rollable ridge vent, showing the new design;

FIG. 2 is a bottom perspective view of the rollable ridge vent;

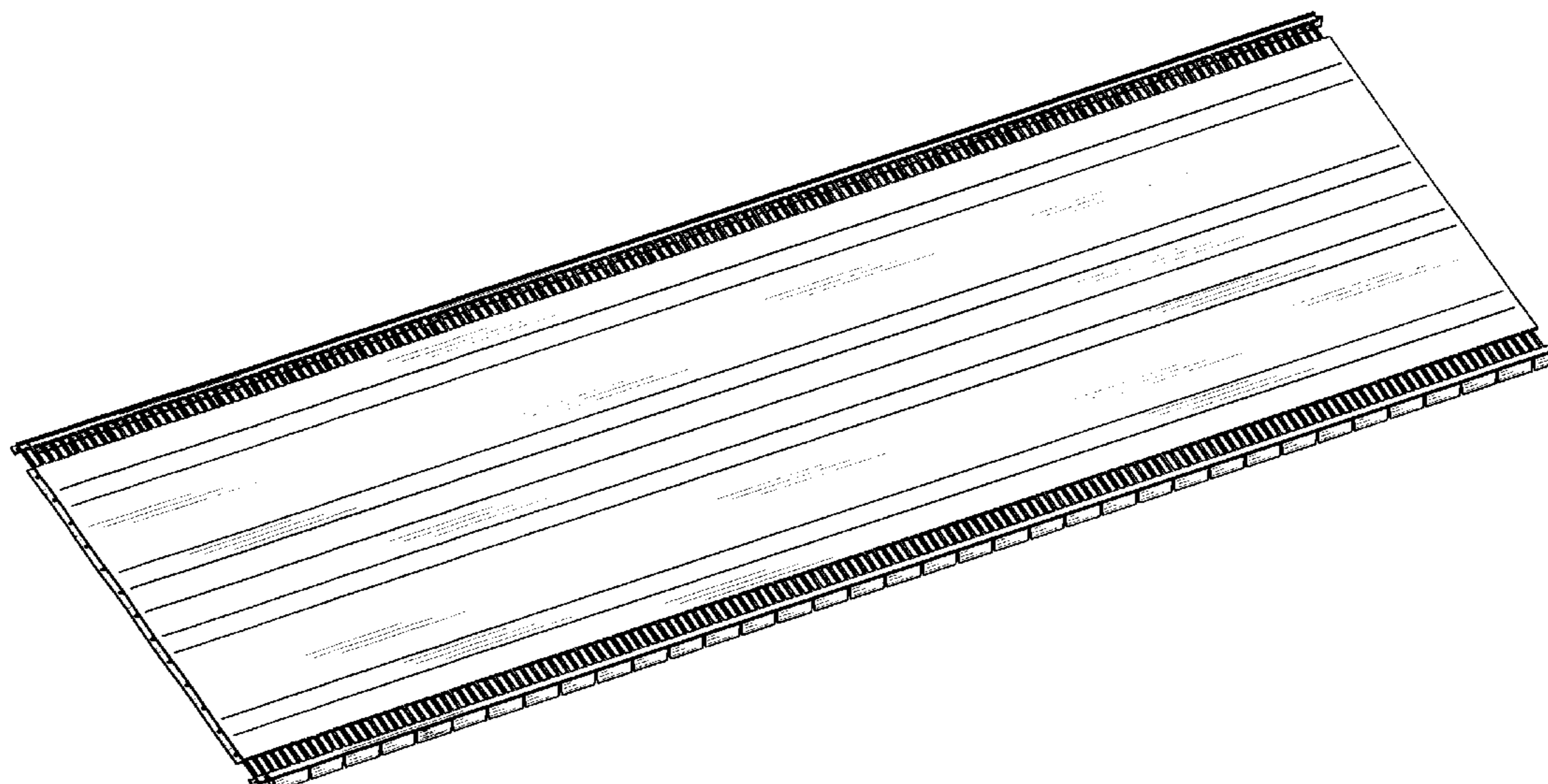
FIG. 3 is a rear elevational view of the rollable ridge vent;

FIG. 4 is a front elevational view of the rollable ridge vent;

FIG. 5 is an enlarged bottom perspective view of a rear corner of the rollable ridge vent; and,

FIG. 6 is an enlarged bottom perspective view of a front corner of the rollable ridge vent.

1 Claim, 4 Drawing Sheets



US D511,848 S

Page 2

U.S. PATENT DOCUMENTS

4,957,037 A	9/1990	Tubbesing et al.	6,128,869 A	10/2000	Brotherton et al.
5,009,149 A	4/1991	MacLeod et al.	6,227,963 B1	5/2001	Headrick
5,070,771 A	12/1991	Mankowski	6,233,887 B1	5/2001	Smith
5,094,041 A	3/1992	Kasner et al.	6,260,315 B1	7/2001	Smith
5,095,810 A	3/1992	Robinson	6,302,785 B1	10/2001	McKinney et al.
5,112,278 A	5/1992	Roberts	6,308,472 B1	10/2001	Coulton et al.
5,122,095 A	6/1992	Wolfert et al.	6,361,434 B1	3/2002	Brandon
5,149,301 A	9/1992	Gates	D456,531 S *	4/2002	O'Hagin et al. D25/140
5,167,579 A	12/1992	Rotter	6,371,847 B2	4/2002	Headrick
5,288,269 A	2/1994	Hansen	6,450,882 B1	9/2002	Morris et al.
5,457,920 A	10/1995	Waltz	6,684,581 B2	2/2004	Robinson et al.
5,458,538 A	10/1995	MacLeod et al.	2001/0019941 A1	9/2001	Headrick
5,542,882 A *	8/1996	Sells 454/365	2002/0100232 A1	8/2002	Robinson et al.
5,673,521 A	10/1997	Coulton et al.	2004/0088928 A1	5/2004	Headrick, II et al.
5,772,502 A	6/1998	Smith	2004/0088932 A1	5/2004	Headrick
5,797,222 A	8/1998	Martin			

* cited by examiner

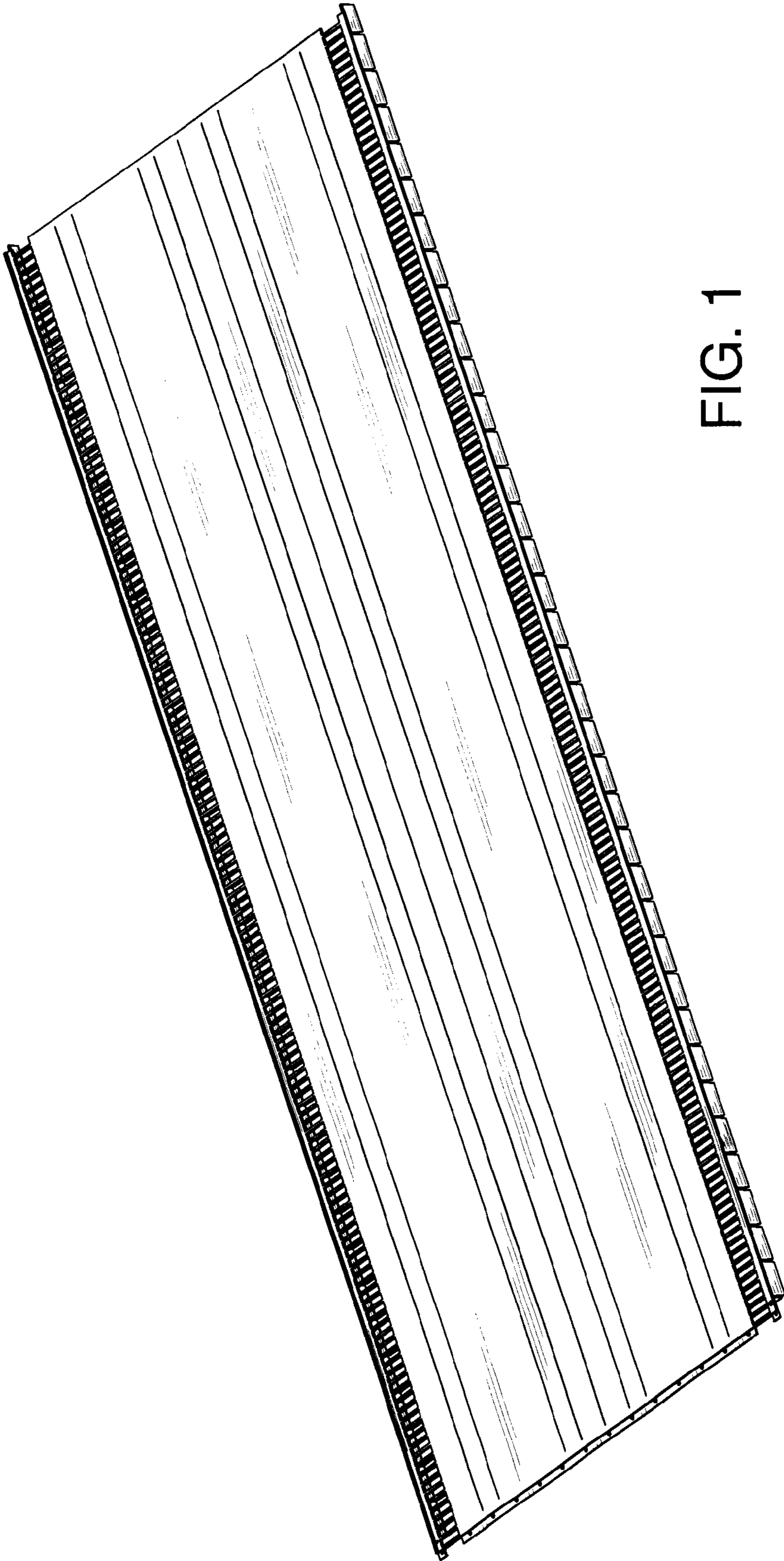


FIG. 1

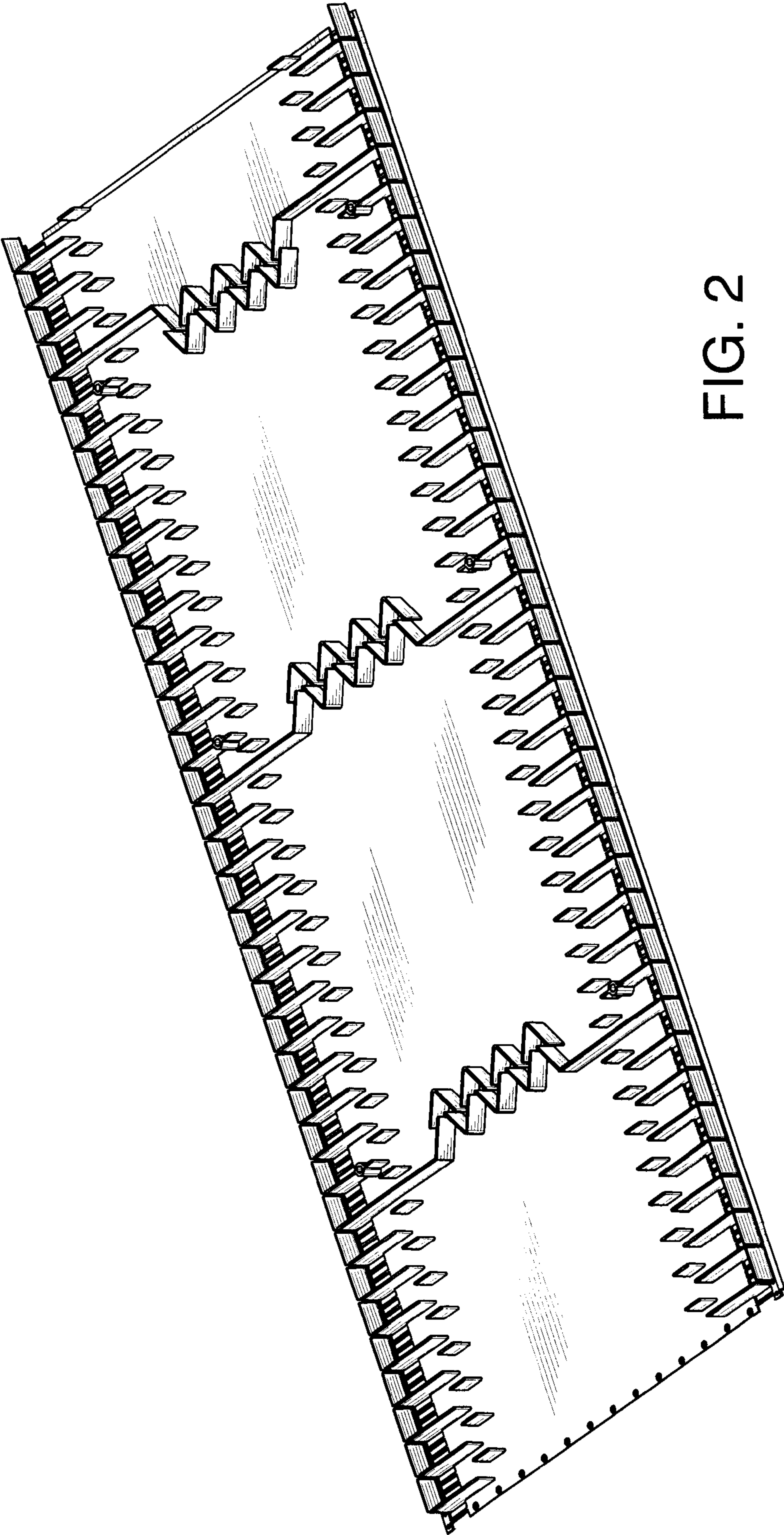


FIG. 2

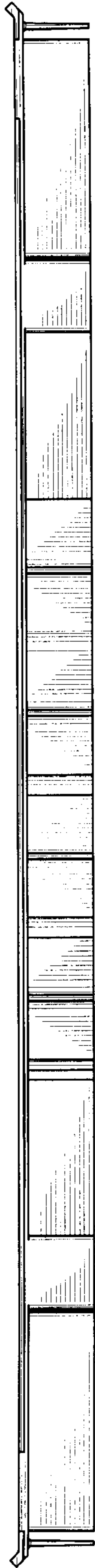


FIG. 3

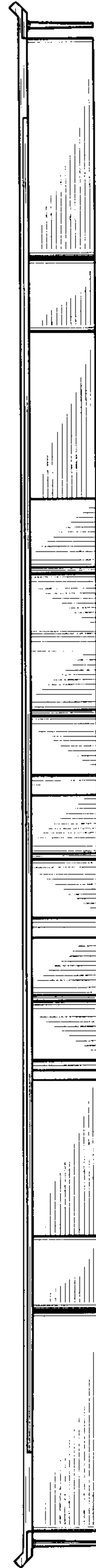


FIG. 4

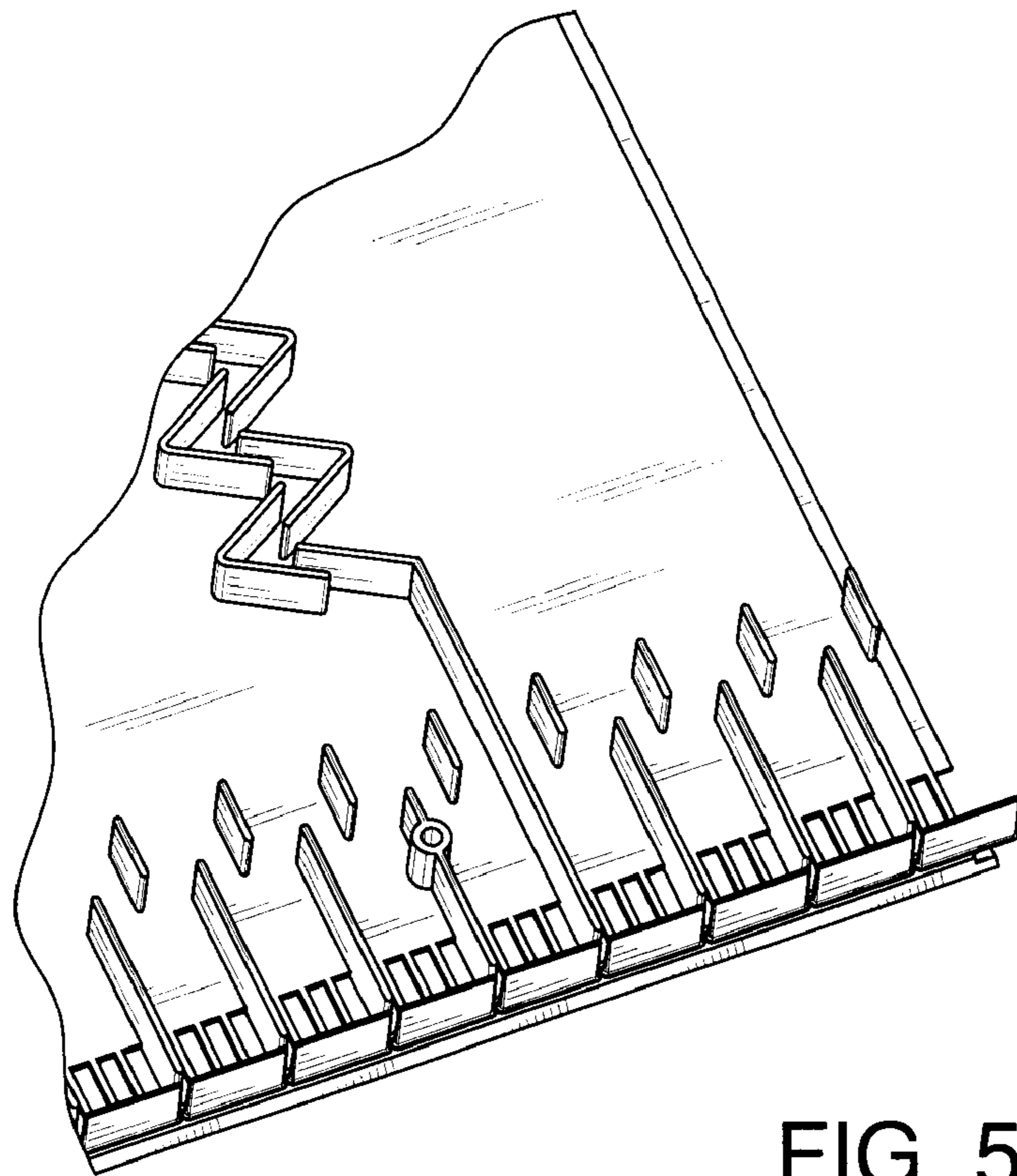


FIG. 5

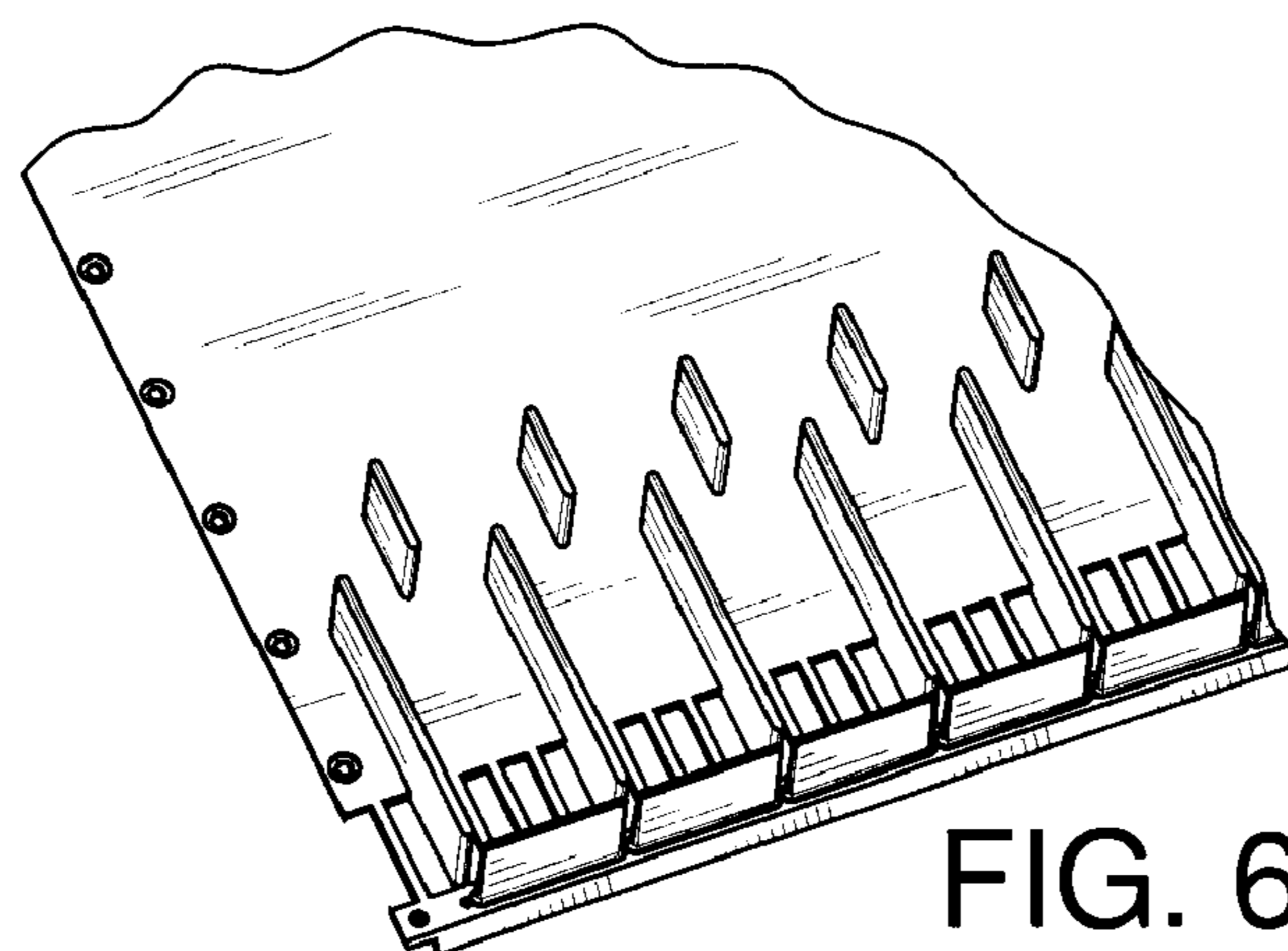


FIG. 6