



US00D511847S

(12) **United States Design Patent**  
**Ciepliski**

(10) **Patent No.: US D511,847 S**

(45) **Date of Patent: \*\* Nov. 22, 2005**

- (54) **ROLLABLE RIDGE VENT**
- (75) Inventor: **Dustin Ciepliski**, The Colony, TX (US)
- (73) Assignee: **Air Vent, Inc.**, Dallas, TX (US)
- (\*\*) Term: **14 Years**
- (21) Appl. No.: **29/209,647**
- (22) Filed: **Jul. 19, 2004**
- (51) **LOC (8) Cl. .... 25-01**
- (52) **U.S. Cl. .... D25/141**
- (58) **Field of Search .... D25/140, 141,**  
D25/55, 199; 52/56, 198, 199, 95; D23/393;  
454/365, 260

- 5,094,041 A 3/1992 Kasner et al.
- 5,095,810 A 3/1992 Robinson
- 5,112,278 A 5/1992 Roberts
- 5,122,095 A 6/1992 Wolfert
- 5,149,301 A 9/1992 Gates
- 5,167,579 A 12/1992 Rotter
- 5,288,269 A 2/1994 Hansen
- 5,457,920 A 10/1995 Waltz
- 5,458,538 A 10/1995 MacLeod et al.
- 5,542,882 A \* 8/1996 Sells ..... 454/365
- 5,673,521 A 10/1997 Coulton et al.
- 5,772,502 A 6/1998 Smith
- 5,797,222 A 8/1998 Martin
- 6,128,869 A 10/2000 Brotherton et al.
- 6,227,963 B1 5/2001 Headrick
- 6,233,887 B1 5/2001 Smith
- 6,260,315 B1 7/2001 Smith
- 6,302,785 B1 10/2001 McKinney et al.
- 6,308,472 B1 10/2001 Coulton et al.
- 6,361,434 B1 3/2002 Brandon
- D456,531 S \* 4/2002 O'Hagin et al. .... D25/140
- 6,371,847 B2 4/2002 Headrick
- 6,450,882 B1 9/2002 Morris et al.
- 6,684,581 B2 2/2004 Robinson et al.
- 2001/0019941 A1 9/2001 Headrick
- 2002/0100232 A1 8/2002 Robinson et al.
- 2004/0088928 A1 5/2004 Headrick, II et al.
- 2004/0088932 A1 5/2004 Headrick

(56) **References Cited**

**U.S. PATENT DOCUMENTS**

- 1,028,725 A 6/1912 Hodgson
- 1,717,728 A 6/1929 Moore
- 2,049,863 A 8/1936 Palmer
- 2,214,183 A 9/1940 Seymour
- 2,799,214 A 7/1957 Roose
- 2,868,104 A 1/1959 Holt et al.
- 2,988,980 A 6/1961 Tschudin
- 3,185,070 A 5/1965 Smith
- 3,236,170 A 2/1966 Meyer et al.
- 3,241,474 A 3/1966 Rousey et al.
- 3,303,773 A 2/1967 Smith et al.
- 3,326,113 A 6/1967 Smith et al.
- 3,481,263 A 12/1969 Belden
- D216,837 S \* 3/1970 Swallow ..... D25/141
- 3,625,134 A 12/1971 Smith
- 3,660,955 A 5/1972 Simon
- 3,949,657 A 4/1976 Sells
- 4,073,106 A 2/1978 Malott
- 4,090,435 A 5/1978 Vallee
- 4,252,590 A 2/1981 Rasen et al.
- 4,280,399 A 7/1981 Cunning
- 4,325,290 A 4/1982 Wolfert
- 4,342,807 A 8/1982 Rasen et al.
- 4,554,862 A 11/1985 Wolfert
- 4,643,080 A 2/1987 Trostle et al.
- 4,676,147 A 6/1987 Mankowski
- 4,782,743 A 11/1988 Quinnell
- 4,817,506 A 4/1989 Cashman
- 4,843,953 A 7/1989 Sells
- 4,903,445 A \* 2/1990 Mankowski ..... 52/199
- 4,924,761 A 5/1990 MacLeod et al.
- 4,957,037 A 9/1990 Tubbesing et al.
- 5,009,149 A 4/1991 MacLeod et al.
- 5,070,771 A 12/1991 Mankowski

**FOREIGN PATENT DOCUMENTS**

GB 2186898 A 8/1987

\* cited by examiner

*Primary Examiner*—Doris Clark  
(74) *Attorney, Agent, or Firm*—Duane Morris LLP

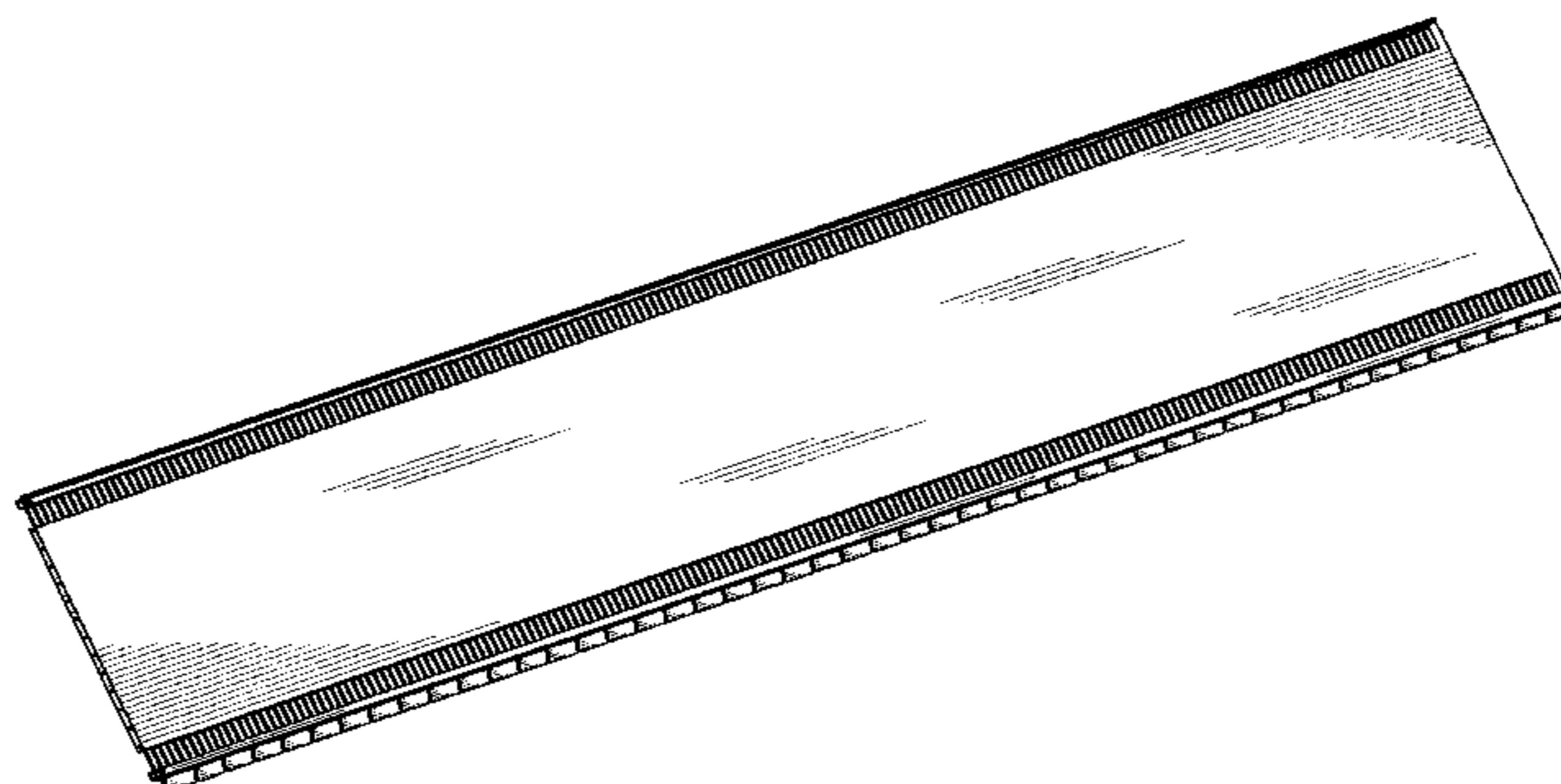
(57) **CLAIM**

The ornamental design for a rollable ridge vent, as shown and described.

**DESCRIPTION**

FIG. 1 is a top perspective view of the rollable ridge vent, showing the new design;  
FIG. 2 is a bottom perspective view of the rollable ridge vent;  
FIG. 3 is a front elevational view of the rollable ridge vent;  
FIG. 4 is a rear elevational view of the rollable ridge vent;  
FIG. 5 is an enlarged bottom perspective view of a front corner of the rollable ridge vent; and,  
FIG. 6 is an enlarged bottom perspective view of a rear corner of the rollable ridge vent.

**1 Claim, 4 Drawing Sheets**



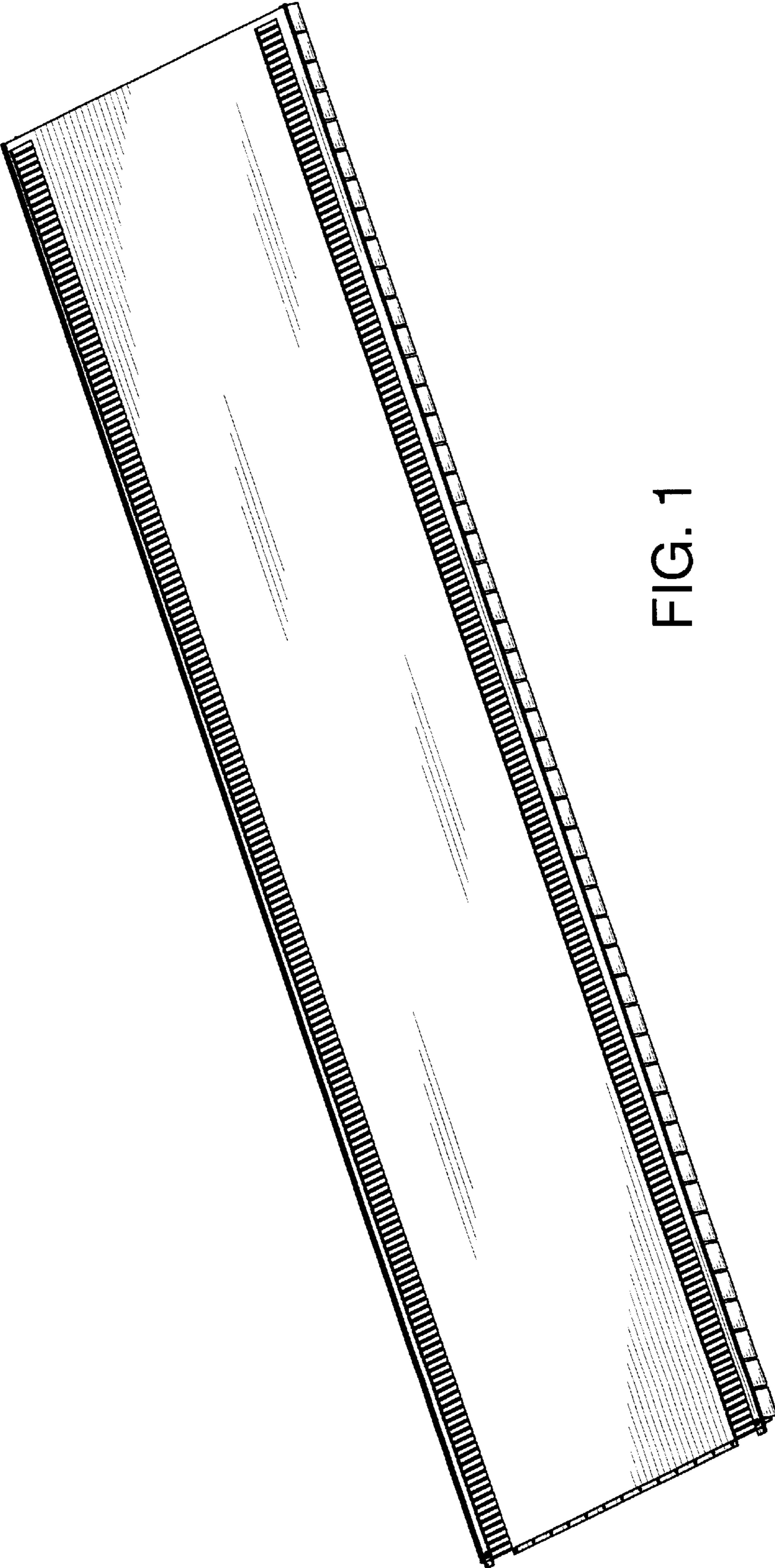


FIG. 1

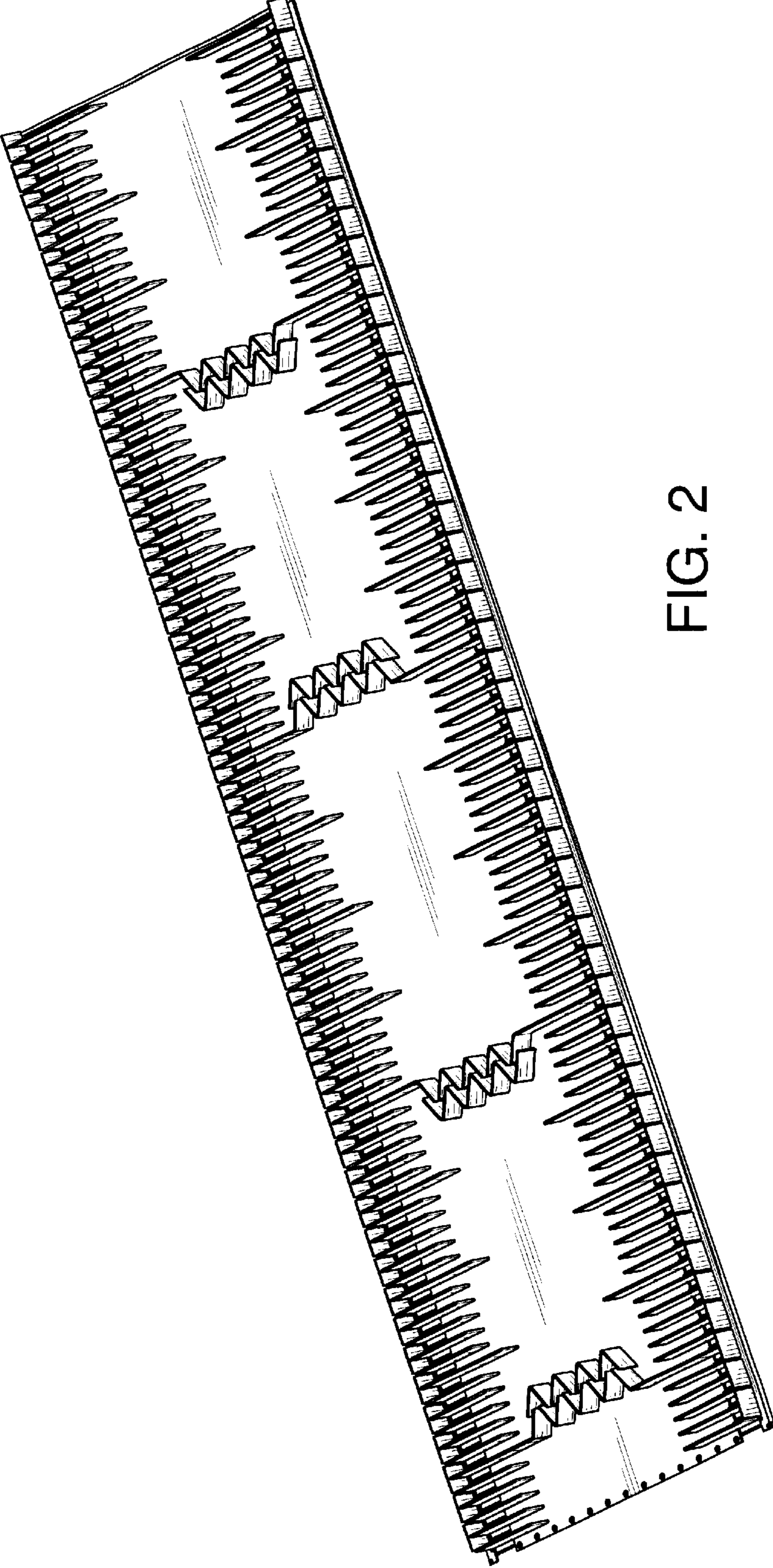


FIG. 2

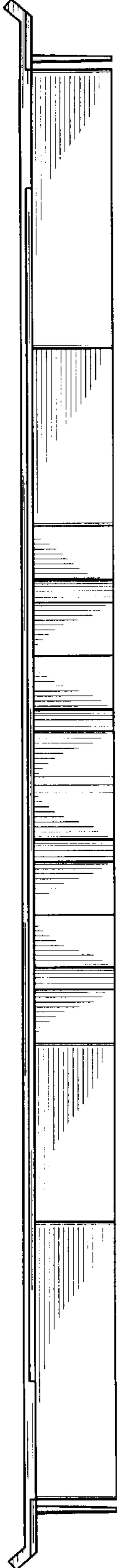


FIG. 3

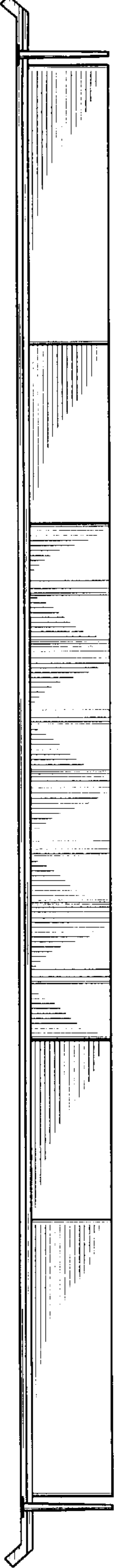


FIG. 4

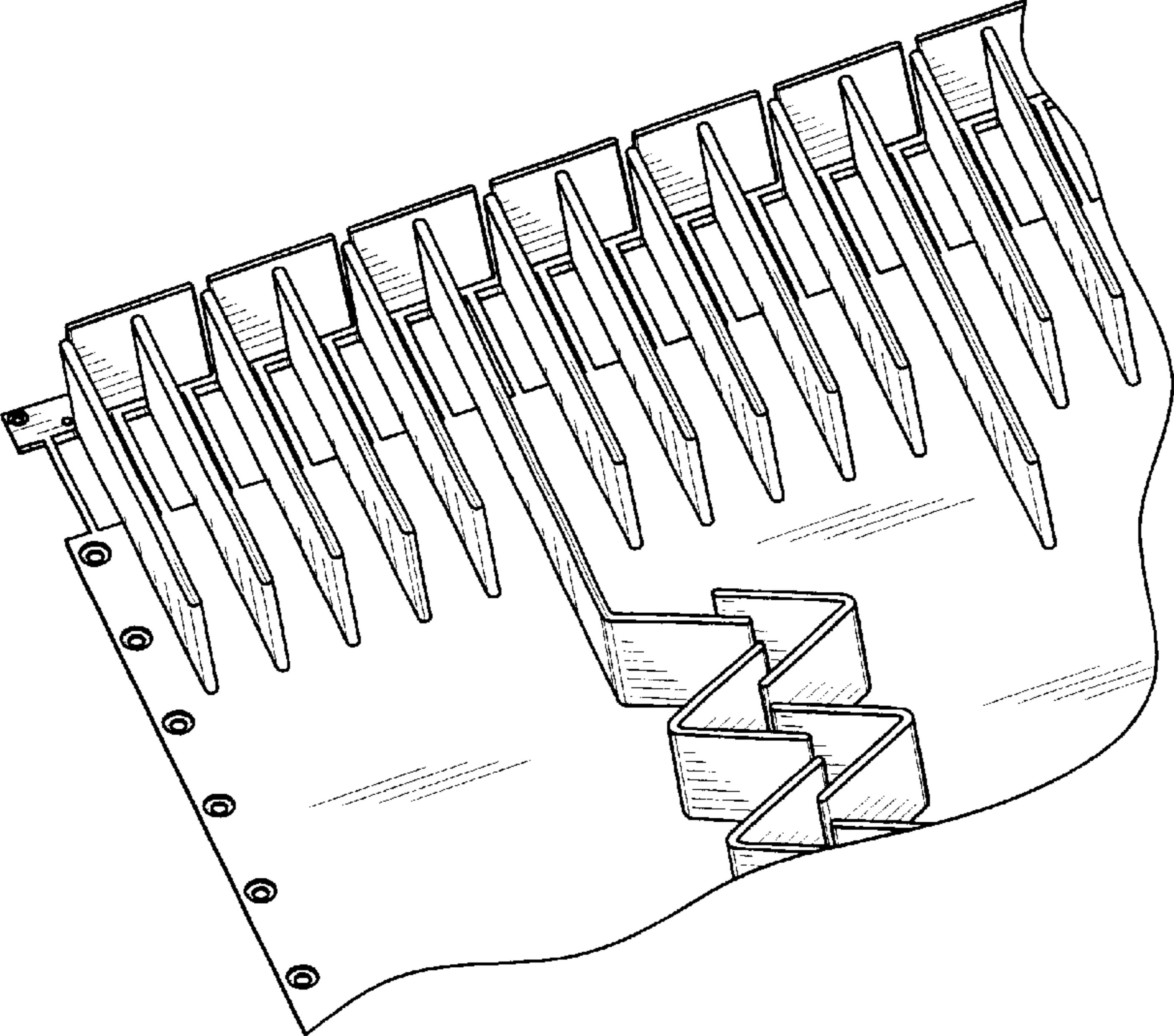


FIG. 5

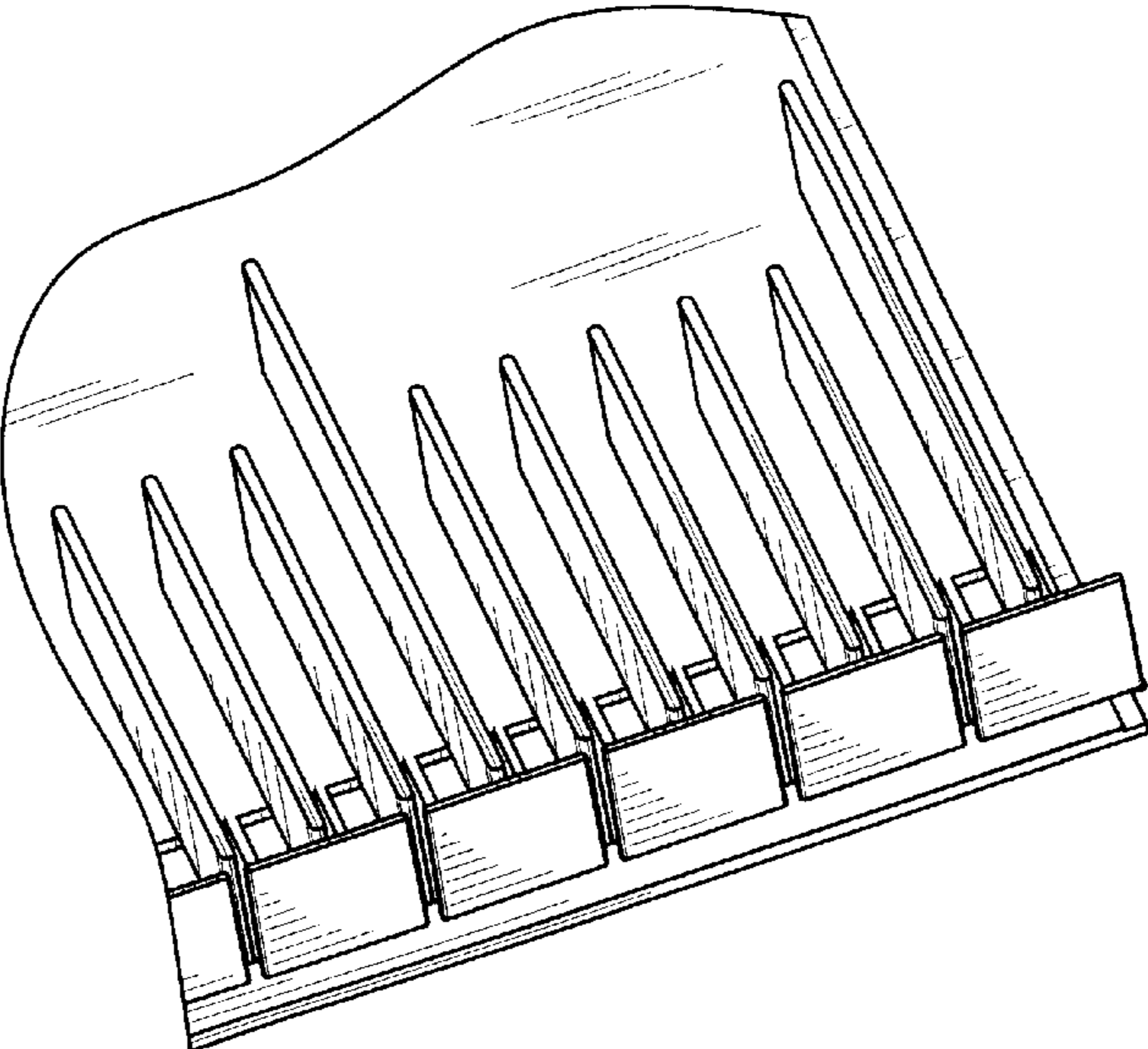


FIG. 6