



US00D511826S

(12) **United States Design Patent** (10) **Patent No.:** **US D511,826 S**
Demirdjian et al. (45) **Date of Patent:** **** Nov. 22, 2005**

(54) **BLOWER MOTOR**

(75) Inventors: **Eddie Demirdjian**, Pasadena, CA (US);
Rouben Gourchounian, La Canada
Flintridge, CA (US)

(73) Assignee: **Intertex, Inc.**, Pasadena, CA (US)

(**) Term: **14 Years**

(21) Appl. No.: **29/201,642**

(22) Filed: **Mar. 17, 2004**

(51) **LOC (8) Cl.** **23-04**

(52) **U.S. Cl.** **D23/383**

(58) **Field of Search** D23/383, 370;
415/204, 206, 213.1, 214.1

(56) **References Cited**

U.S. PATENT DOCUMENTS

D481,116 S	*	10/2003	Wang et al.	D23/383
D503,788 S	*	4/2005	Wang et al.	D23/383

* cited by examiner

Primary Examiner—Lisa Lichtenstein

(74) *Attorney, Agent, or Firm*—Jeffer, Mangels, Butler & Marmaro LLP

(57) **CLAIM**

The ornamental design for a blower motor, as shown and described.

DESCRIPTION

FIG. 1 is a left plan view of a preferred embodiment of the present invention;

FIG. 2 is a right plan view of the preferred embodiment of the present invention;

FIG. 3 is a cross section taken along line 3—3 of FIG. 2 of the preferred embodiment of the present invention;

FIG. 4 is a top plan view of the preferred embodiment of the present invention;

FIG. 5 is a bottom plan view of the preferred embodiment of the present invention;

FIG. 6 is a cross section taken along line 6—6 of FIG. 5 of the preferred embodiment of the present invention;

FIG. 7 is a front plan view of the preferred embodiment of the present invention;

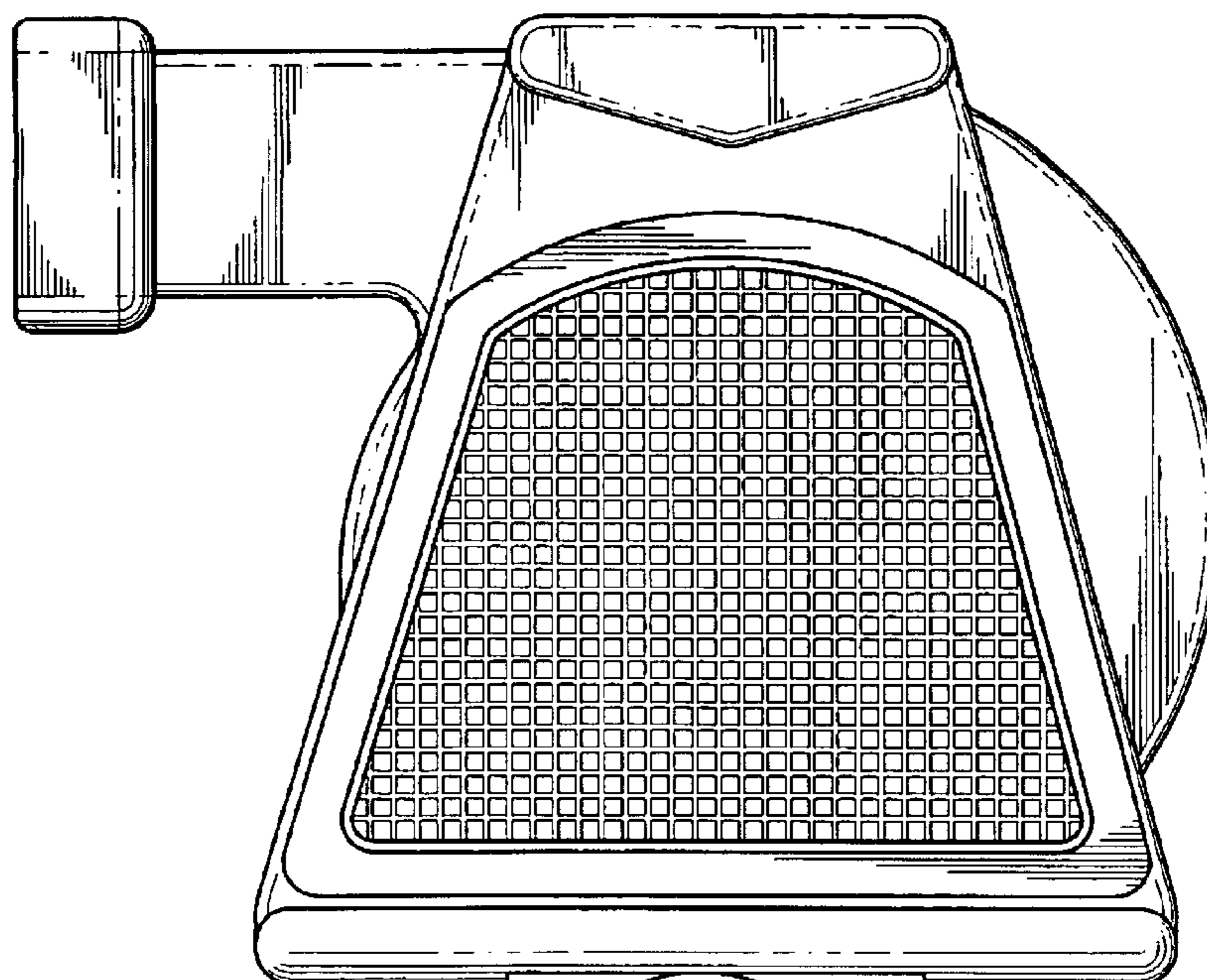
FIG. 8 is a back plan view of the preferred embodiment of the present invention; and

FIG. 9 is a front perspective view of the preferred embodiment of the present invention; and,

FIG. 10 is a back perspective view of the preferred embodiment of the present invention.

The broken lines shown in the drawing are for illustrative purposes only and form no part of the claimed design.

1 Claim, 5 Drawing Sheets



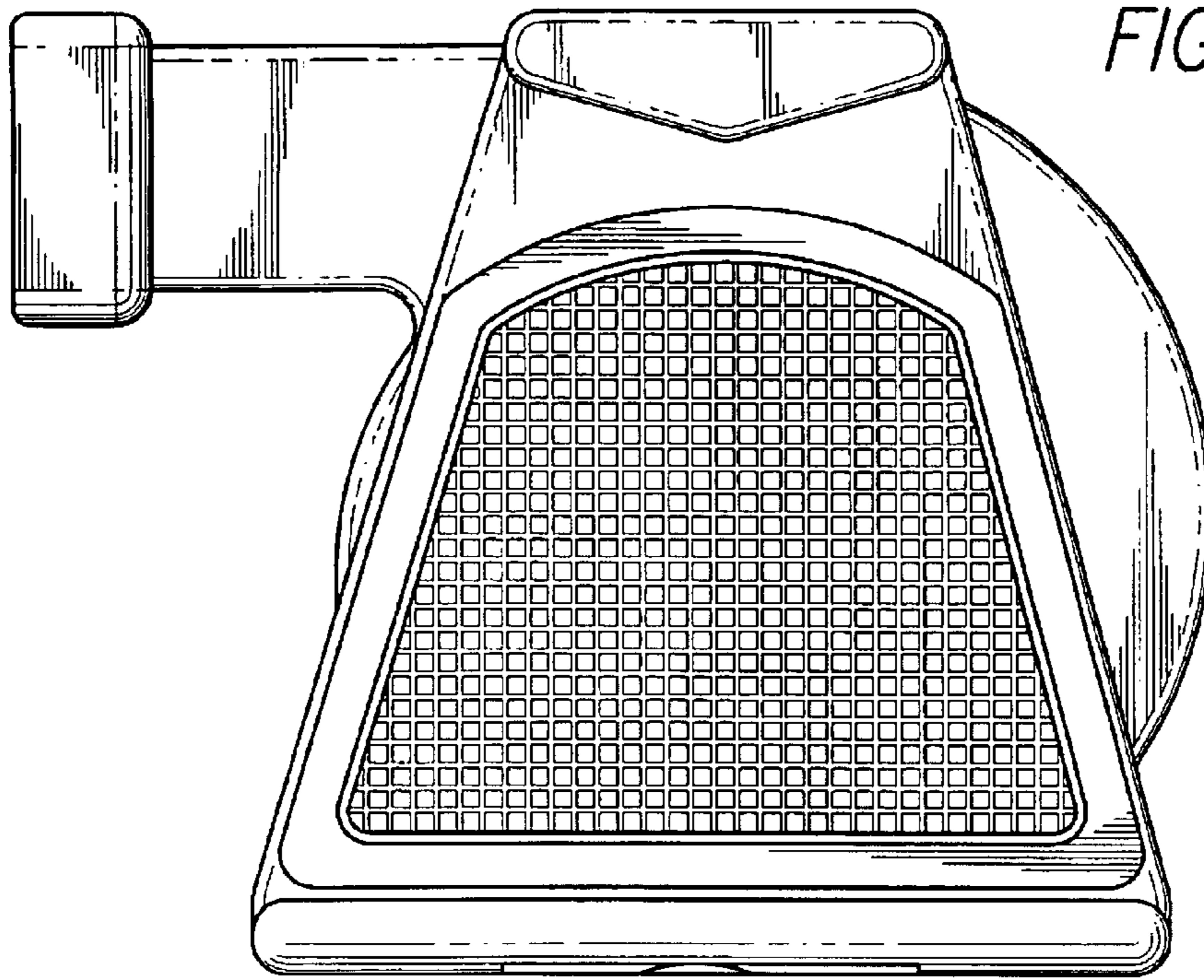


FIG. 1

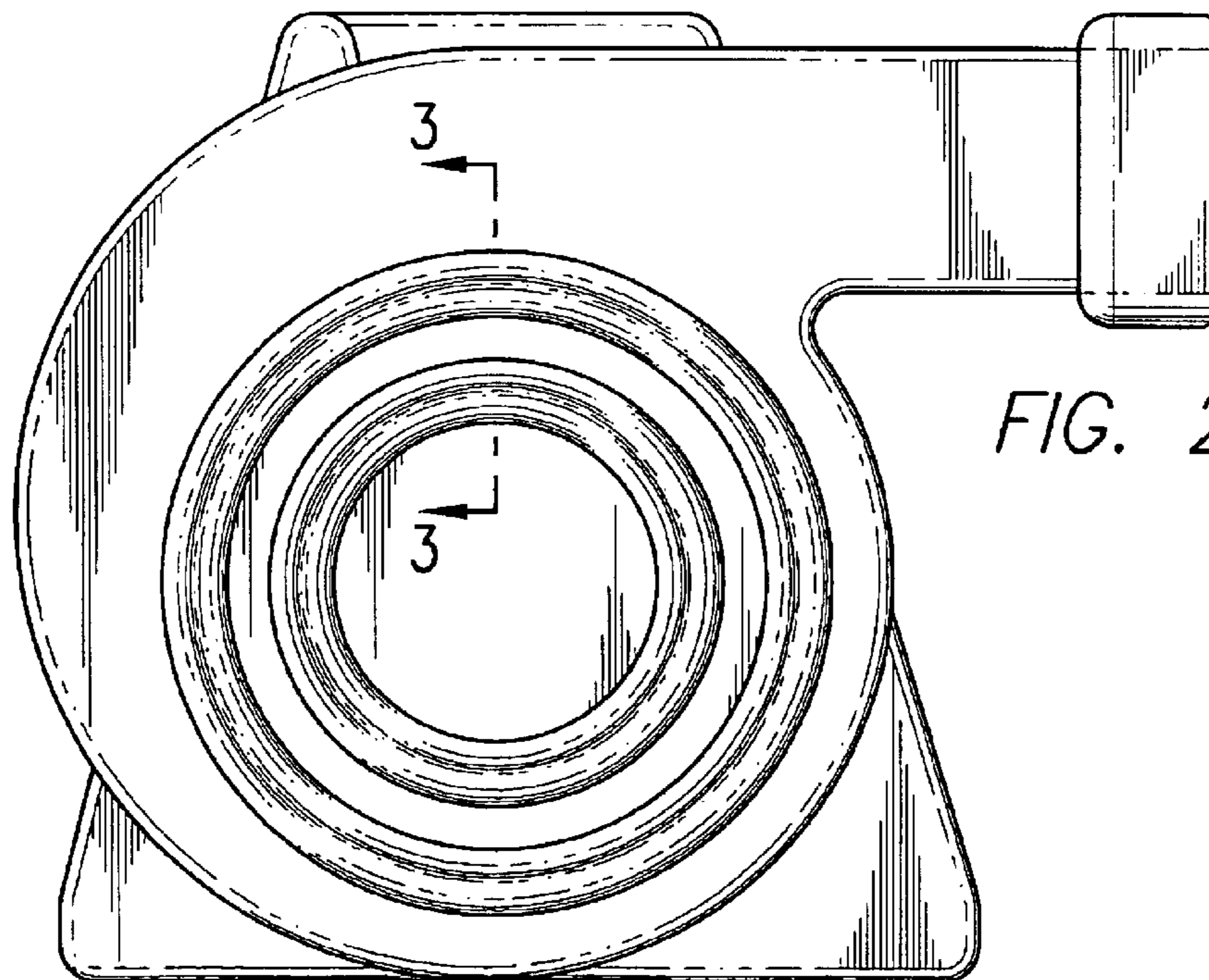


FIG. 2



FIG. 3

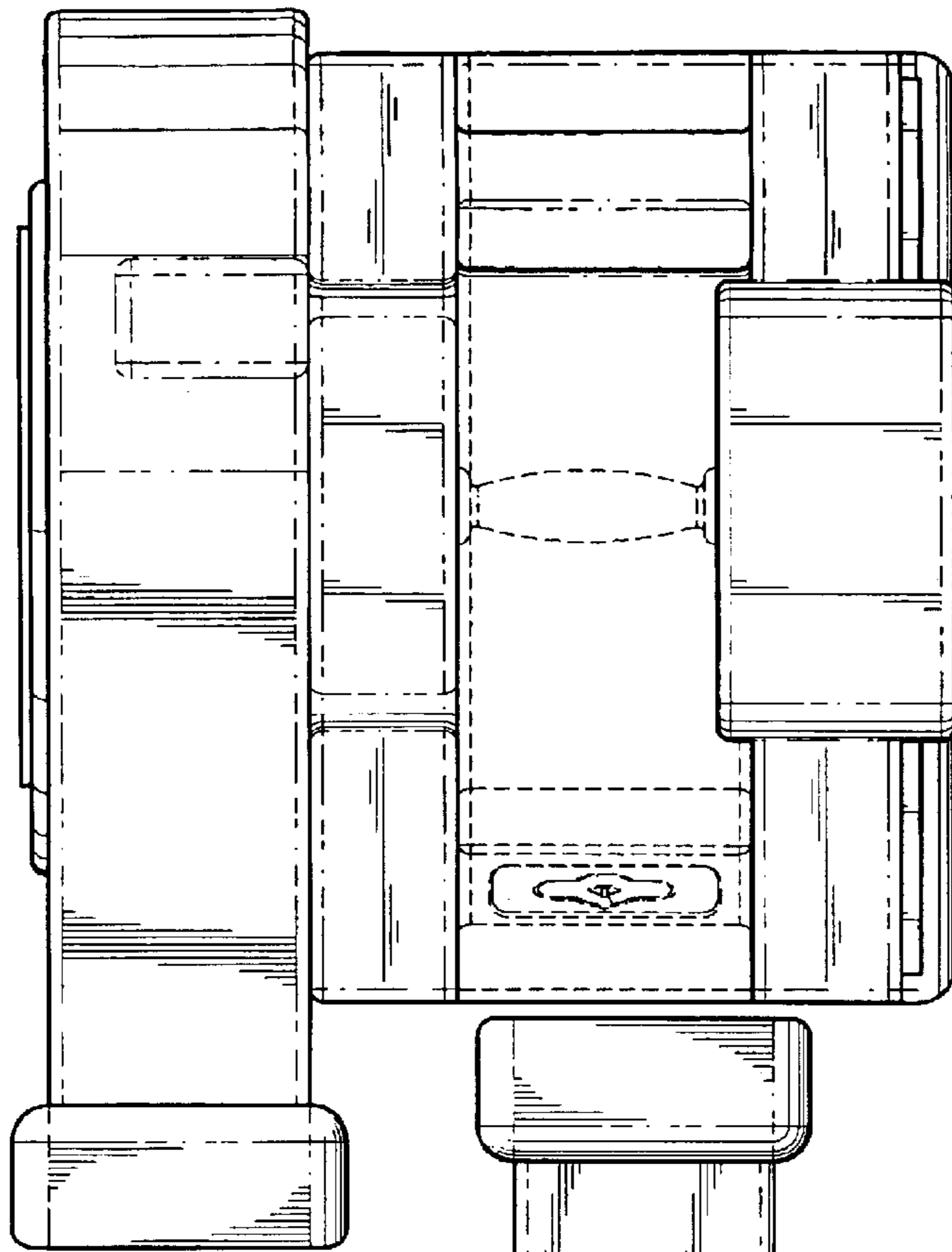
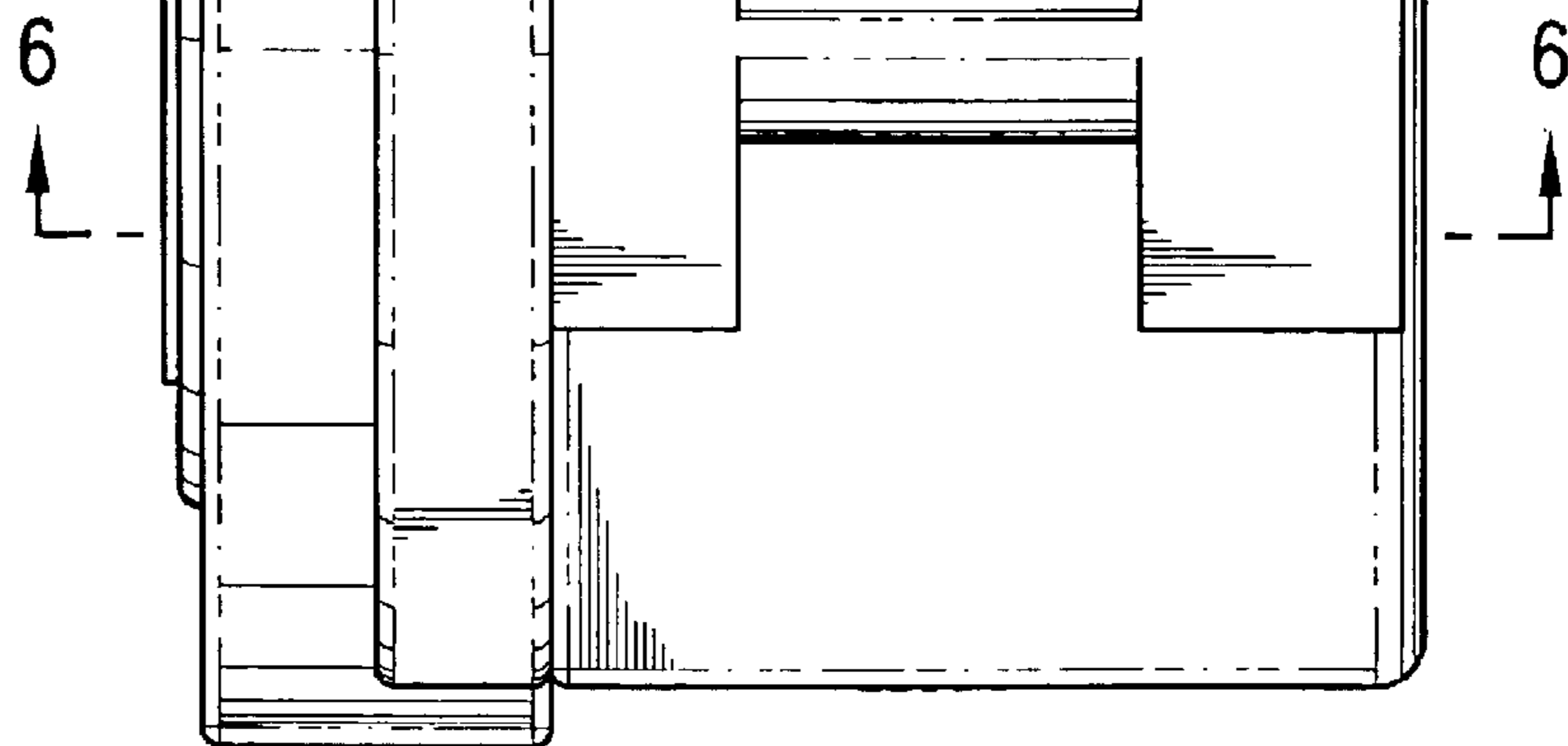


FIG. 4

FIG. 5



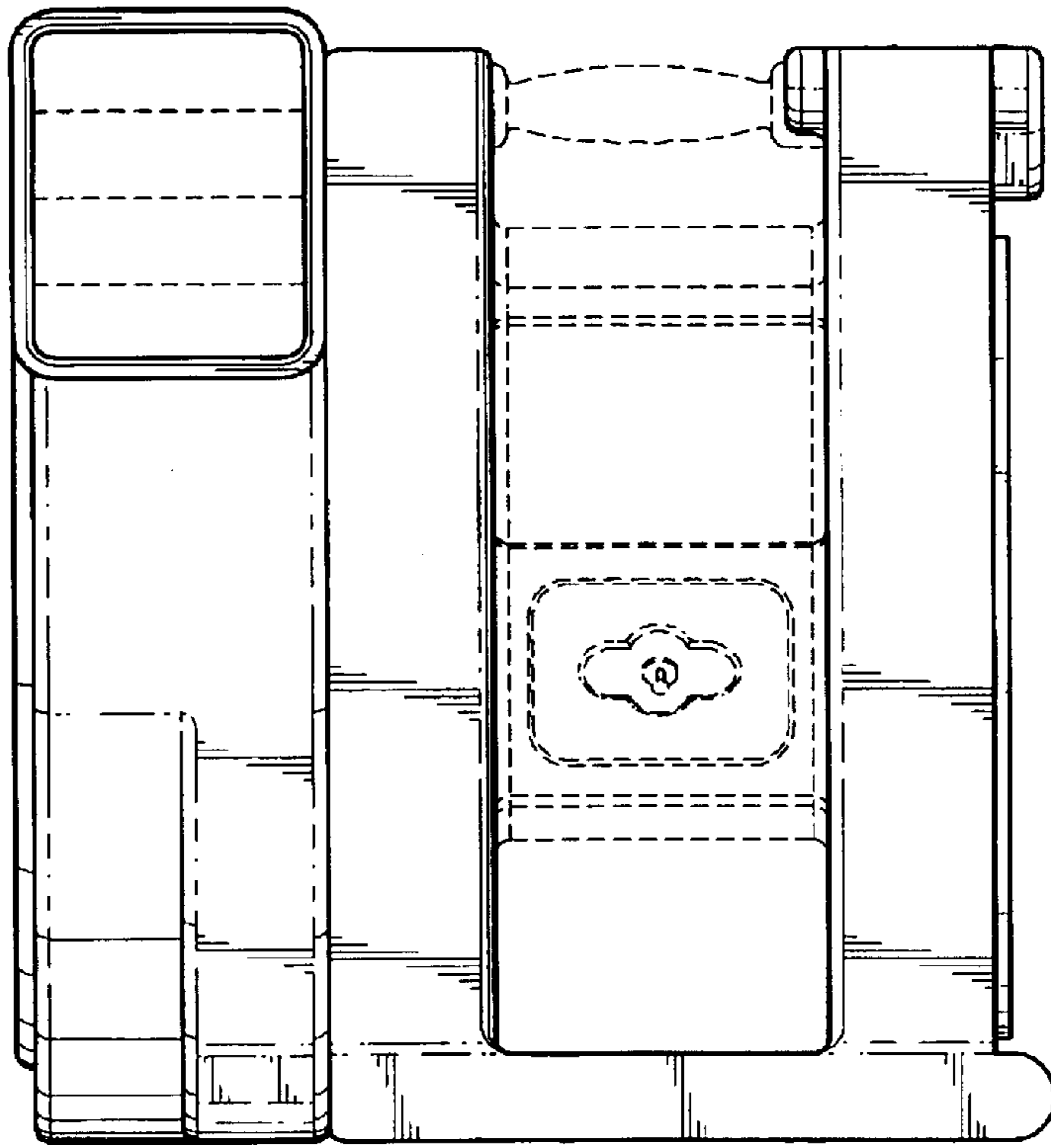


FIG. 7

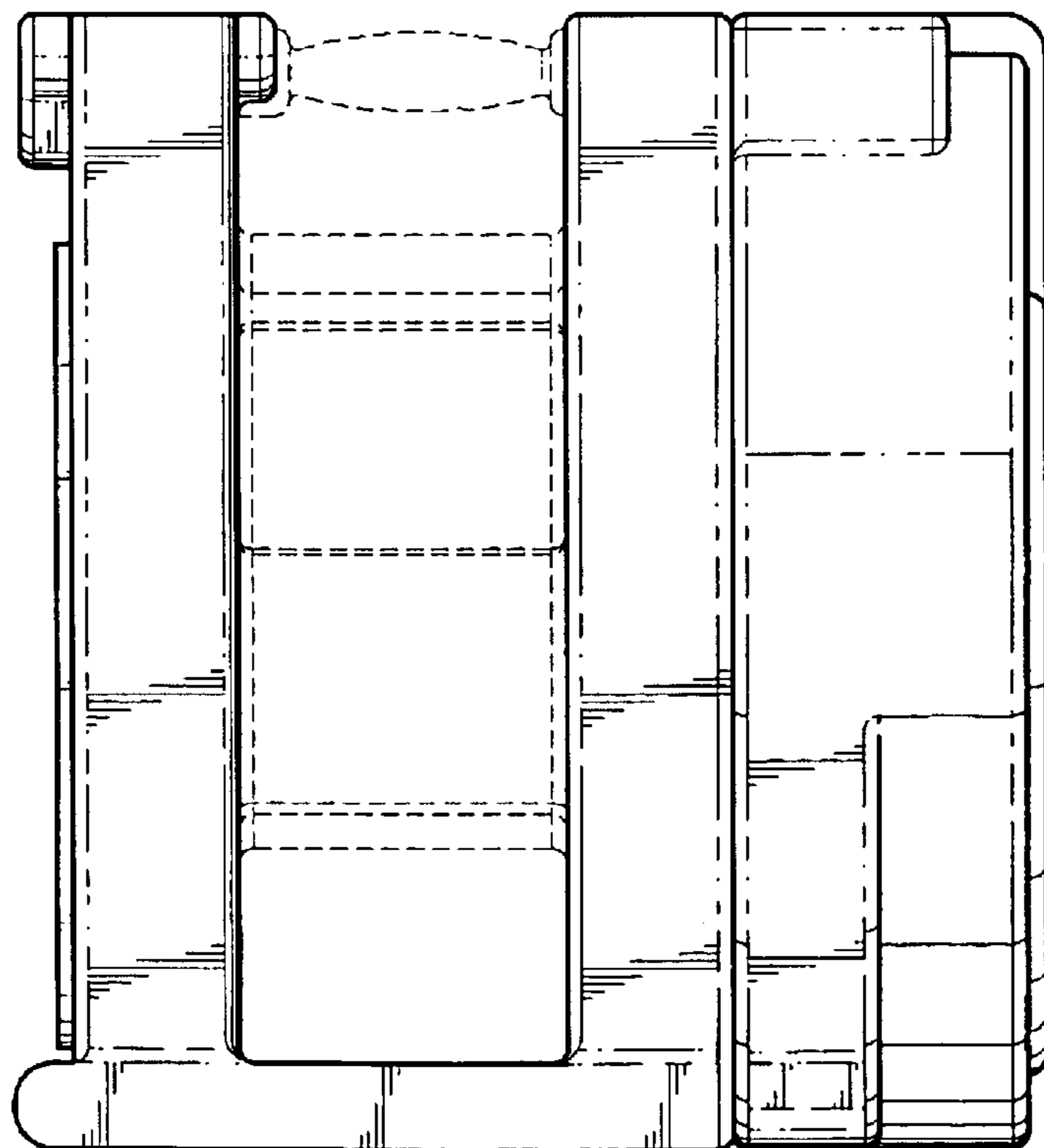


FIG. 8

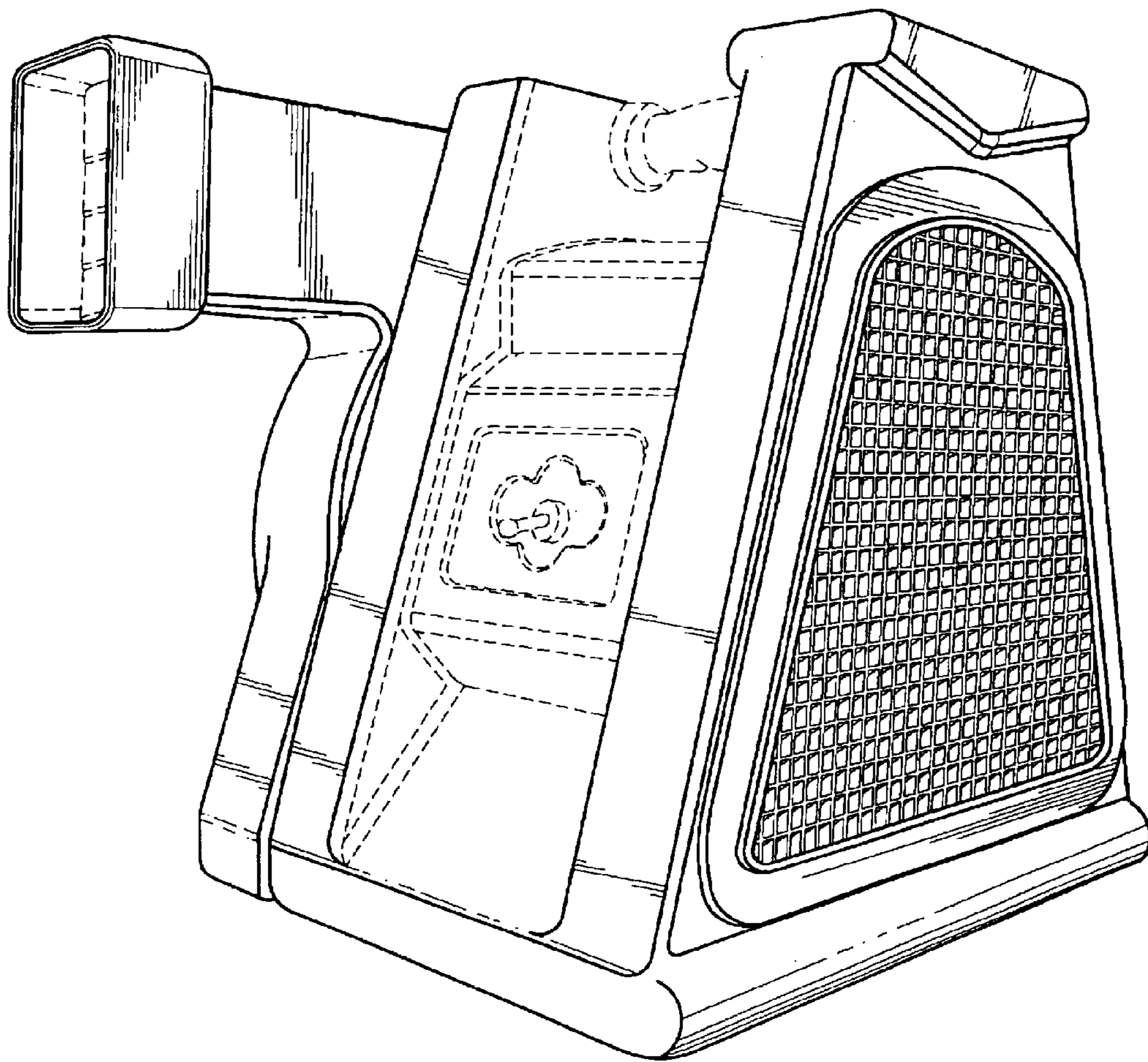


FIG. 9

FIG. 10

