



US00D511823S

(12) **United States Design Patent** (10) **Patent No.:** **US D511,823 S**
Caserta et al. (45) **Date of Patent:** **** Nov. 22, 2005**

(54) **PLUG-IN PORTION OF AN AIR FRESHENER DEVICE**

(74) *Attorney, Agent, or Firm*—Schiff Hardin LLP

(75) Inventors: **Andrea Caserta**, Barcelona (ES);
Jaume Cardellach Lopez, Barcelona (ES); **Pere Casas Colomer**, Barcelona (ES)

(57) **CLAIM**

The ornamental design for a plug-in portion of an air freshener device, as shown and described.

(73) Assignee: **DBK Espana, S.A.**, Barcelona (ES)

DESCRIPTION

(**) Term: **14 Years**

A plug-in portion of an air freshener device has a wall socket plug-in portion and a material container designed to fit in a recess of the socket plug in portion.

(21) Appl. No.: **29/198,551**

FIG. 1 is a back and side perspective view of an embodiment of a plug-in portion of an air freshener device in accordance with the present invention;

(22) Filed: **Jan. 30, 2004**

FIG. 2 is a front and side perspective view of an embodiment of a plug-in portion of an air freshener device in accordance with the present invention;

(51) **LOC (8) Cl.** **23-04**

(52) **U.S. Cl.** **D23/366**

(58) **Field of Search** 239/135, 136,
239/58; 261/DIG. 17, DIG. 65; D23/356–369;
392/390, 392; D21/392

FIG. 3 is a back view of an embodiment of a plug-in portion of an air freshener device in accordance with the present invention;

(56) **References Cited**

U.S. PATENT DOCUMENTS

6,104,867	A	*	8/2000	Stathakis et al.	392/403
D437,636	S	*	2/2001	Basaganas	D23/366
D440,291	S	*	4/2001	Wolpert et al.	D23/360
D447,550	S	*	9/2001	Basaganas	D23/366
D449,101	S	*	10/2001	Wolpert et al.	D23/366
D461,885	S	*	8/2002	Jordi	D23/366
D462,755	S	*	9/2002	Basaganas Millan	D23/366
D466,204	S	*	11/2002	Wolpert et al.	D23/366
D469,862	S	*	2/2003	Cruver et al.	D23/366
D501,546	S	*	2/2005	Cruver et al.	D23/366

FIG. 4 is a side view of an embodiment of a plug-in portion of an air freshener device in accordance with the present invention;

FIG. 5 is a top view of an embodiment of a plug-in portion of an air freshener device in accordance with the present invention;

* cited by examiner

FIG. 6 is a front view an embodiment of a plug-in portion of an air freshener device in accordance with the present invention;

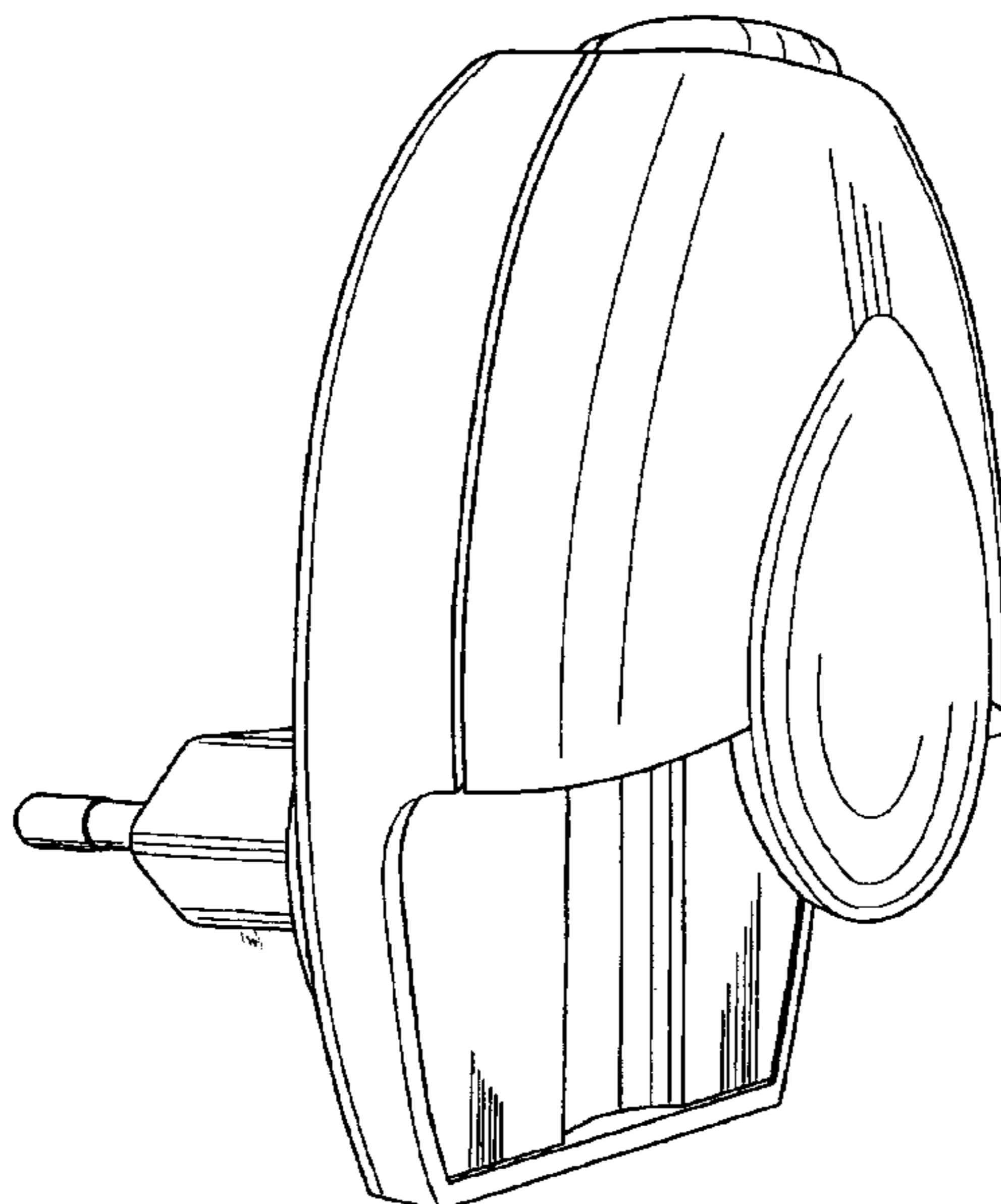
Primary Examiner—Antoine Duval Davis

Assistant Examiner—Sandra Snapp

FIG. 7 is a side view of an embodiment of a plug-in portion of an air freshener device in accordance with the present invention; and,

FIG. 8 is a bottom view of an embodiment of a plug-in portion of an air freshener device in accordance with the present invention.

1 Claim, 8 Drawing Sheets



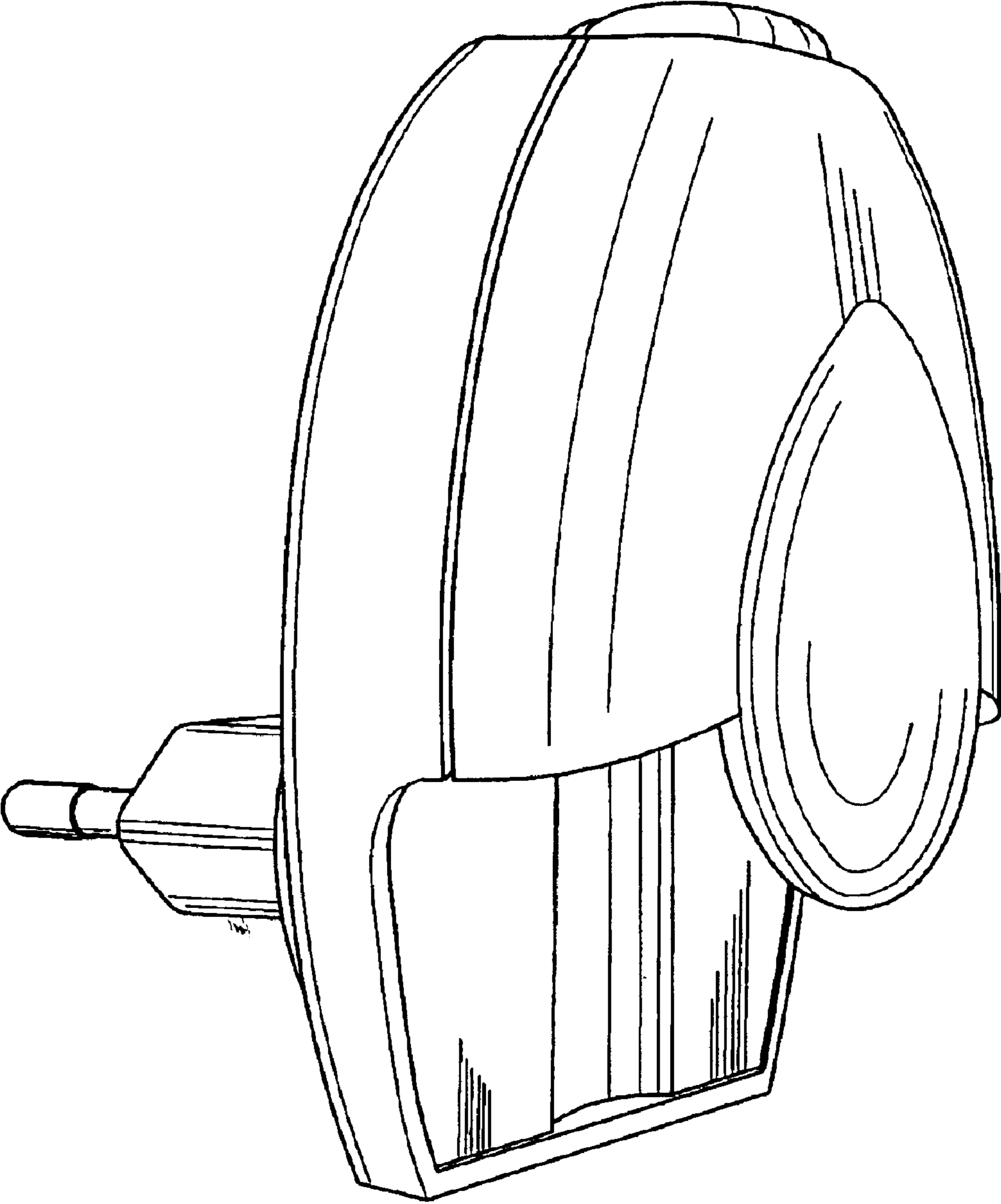


FIG. 1

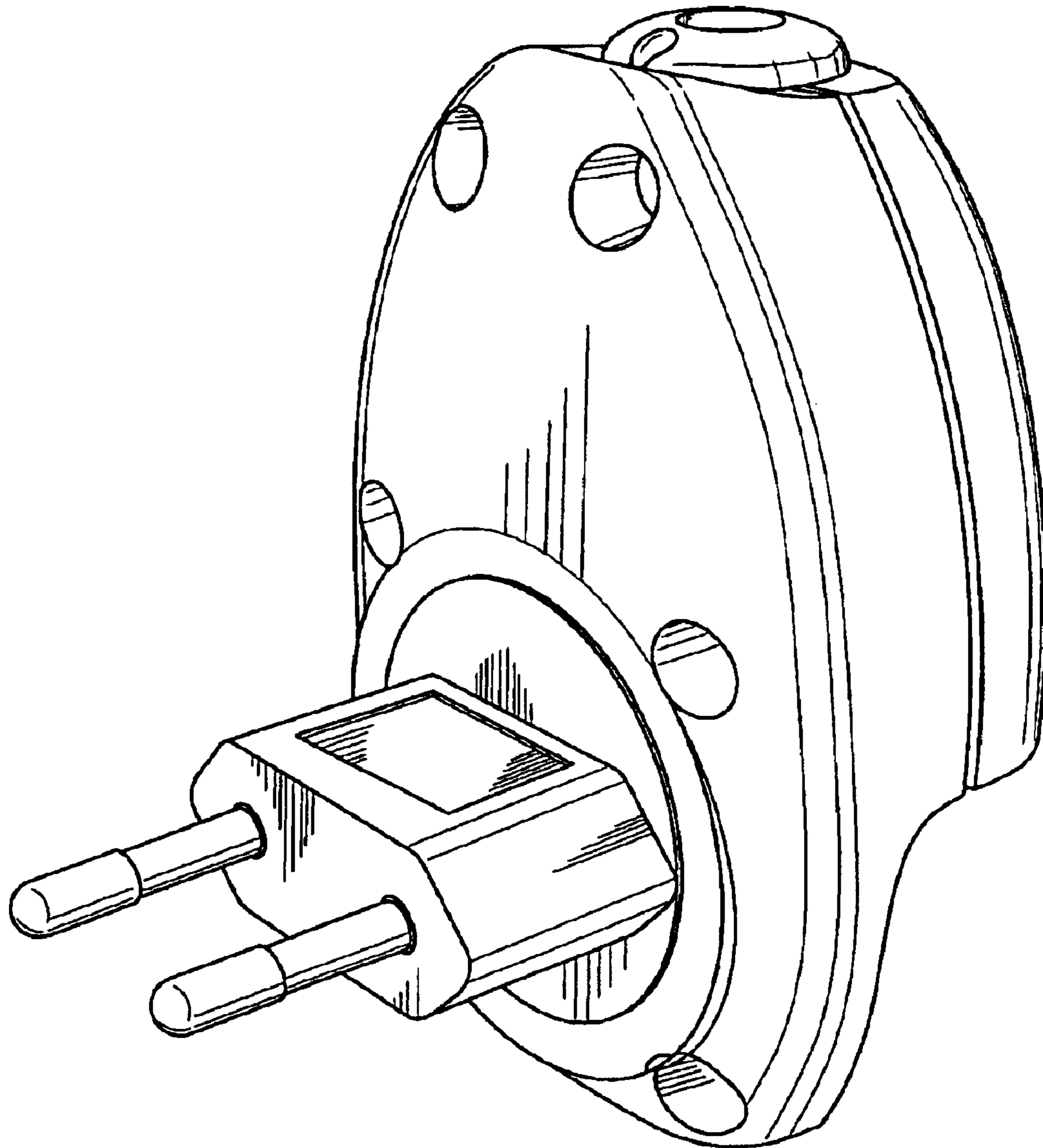


FIG. 2

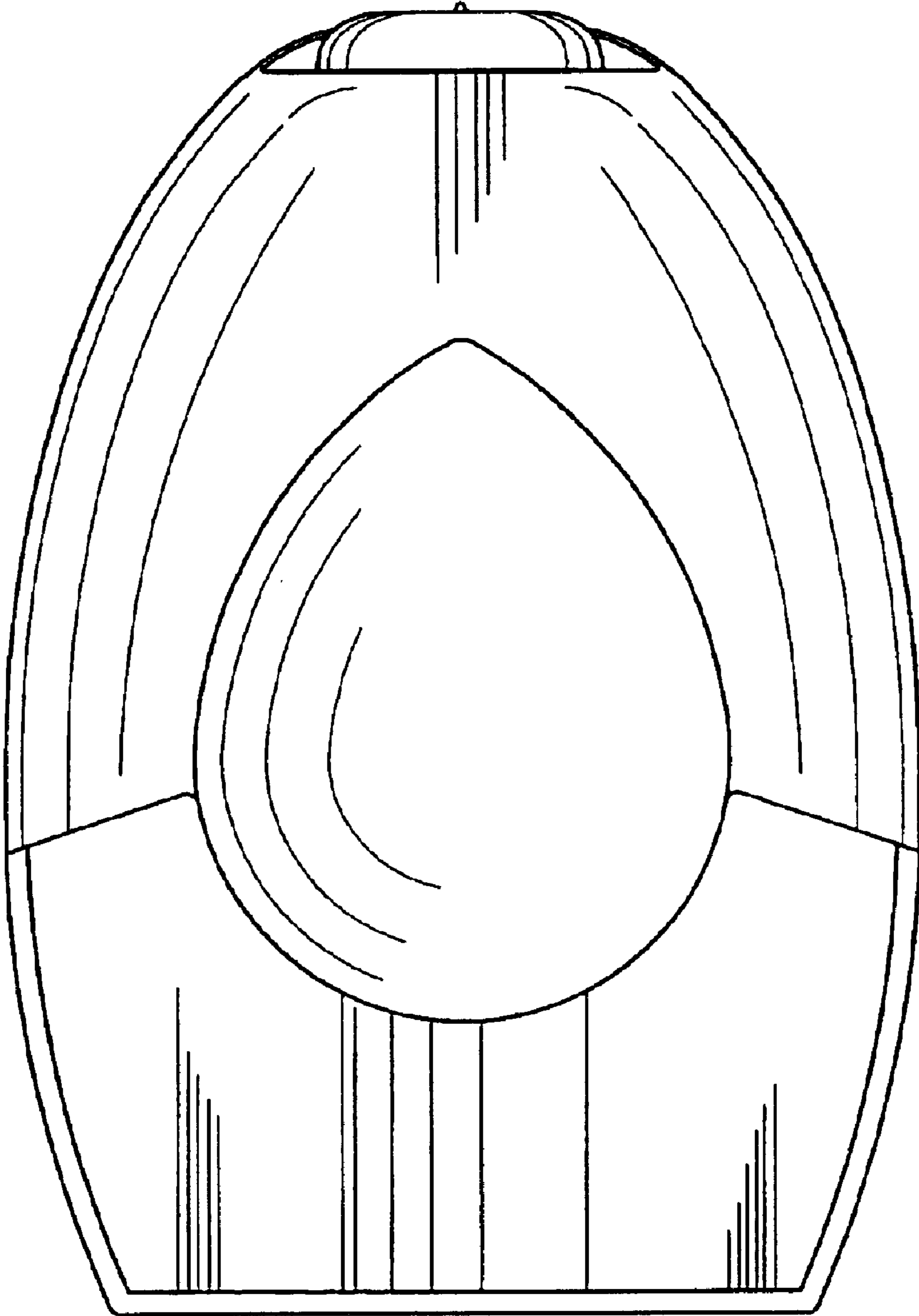


FIG. 3

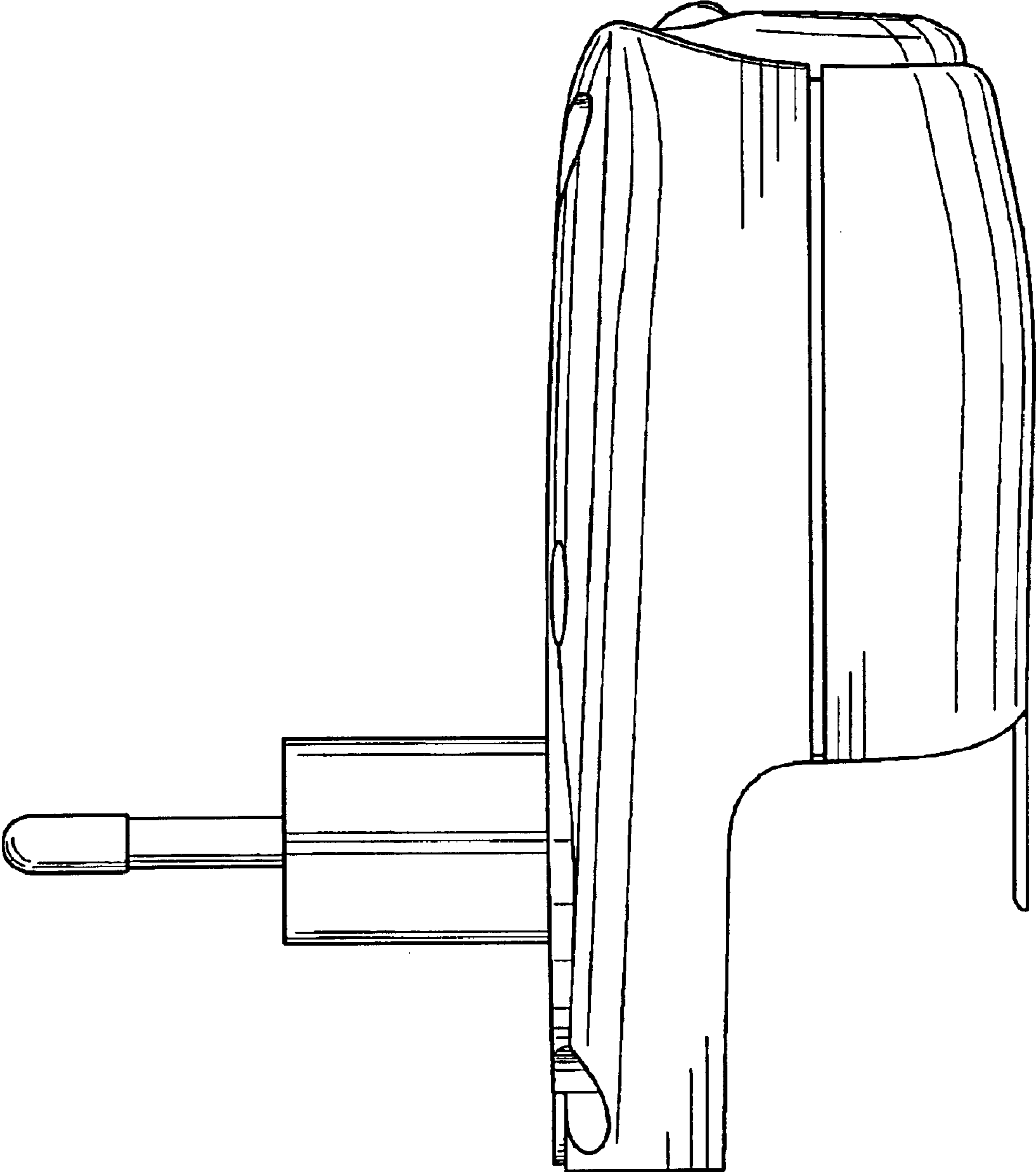


FIG. 4

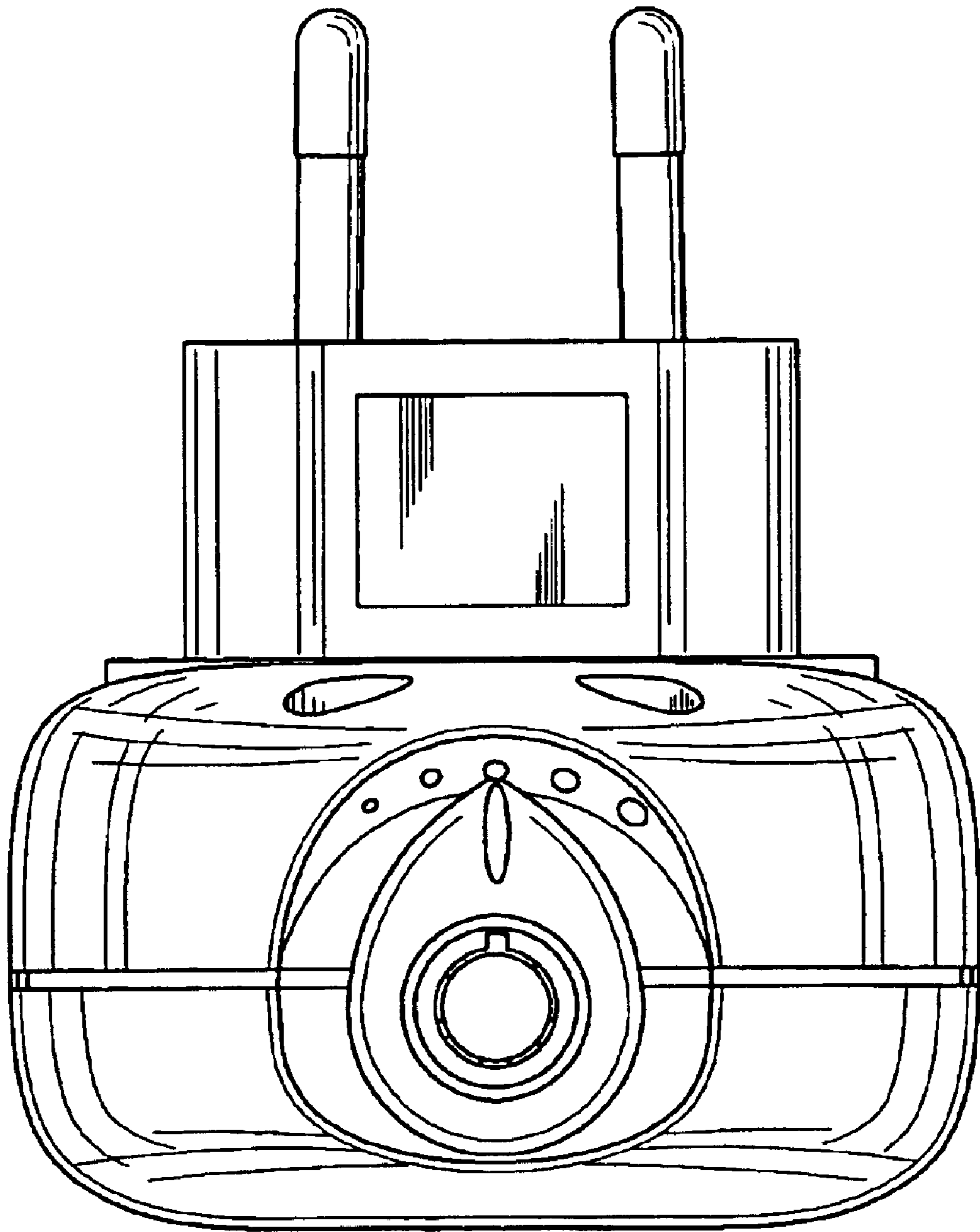


FIG. 5

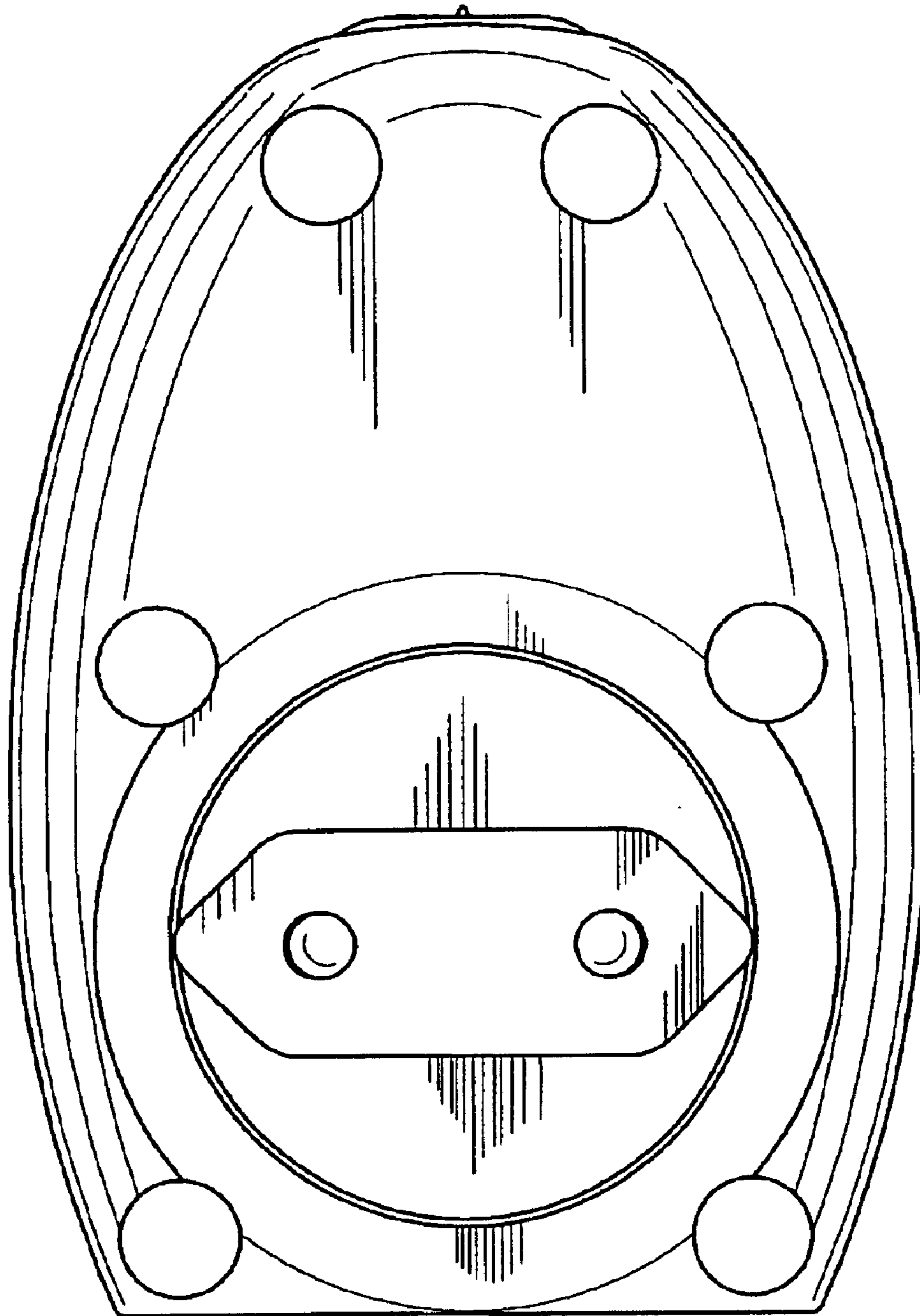


FIG. 6

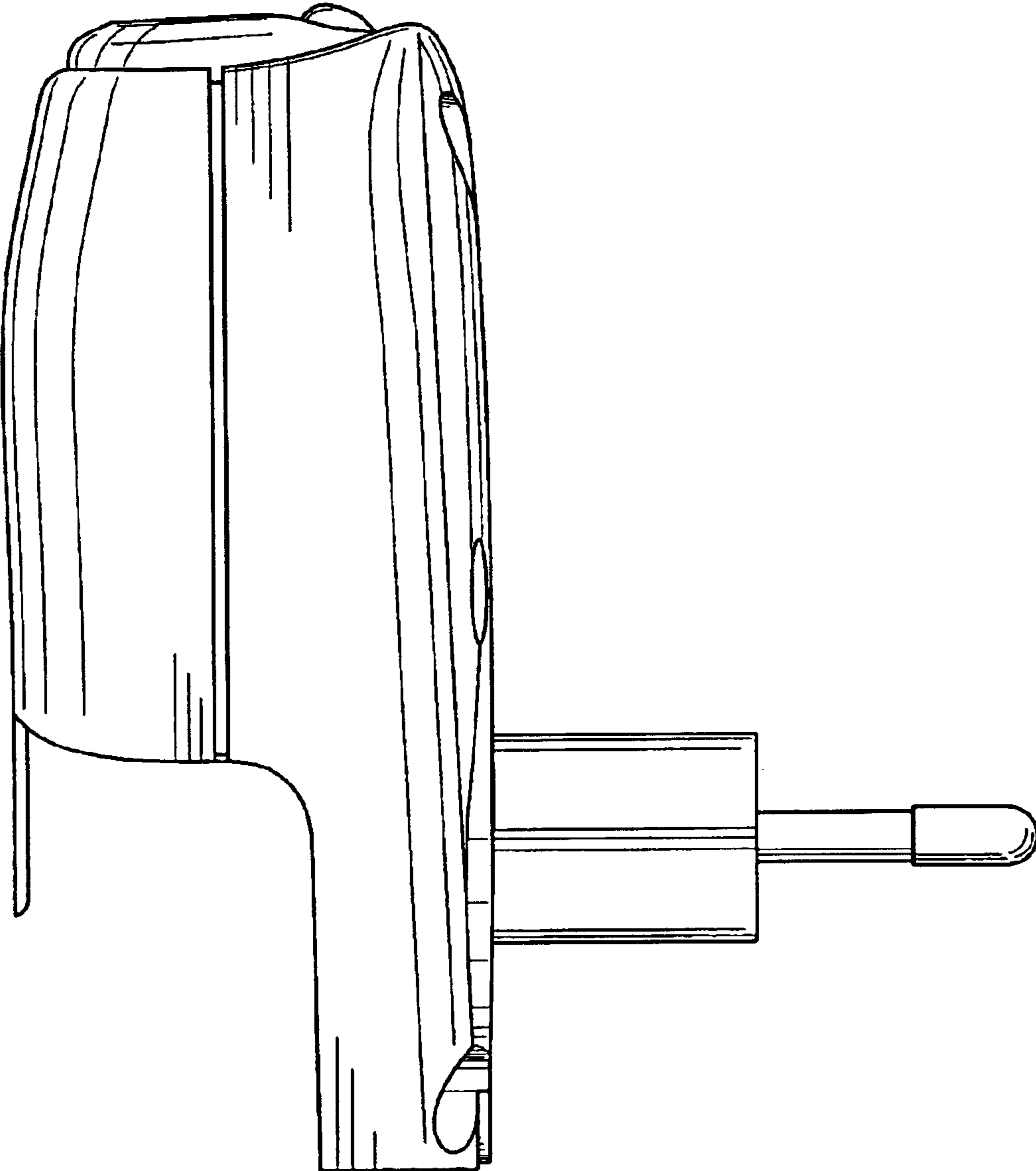


FIG. 7

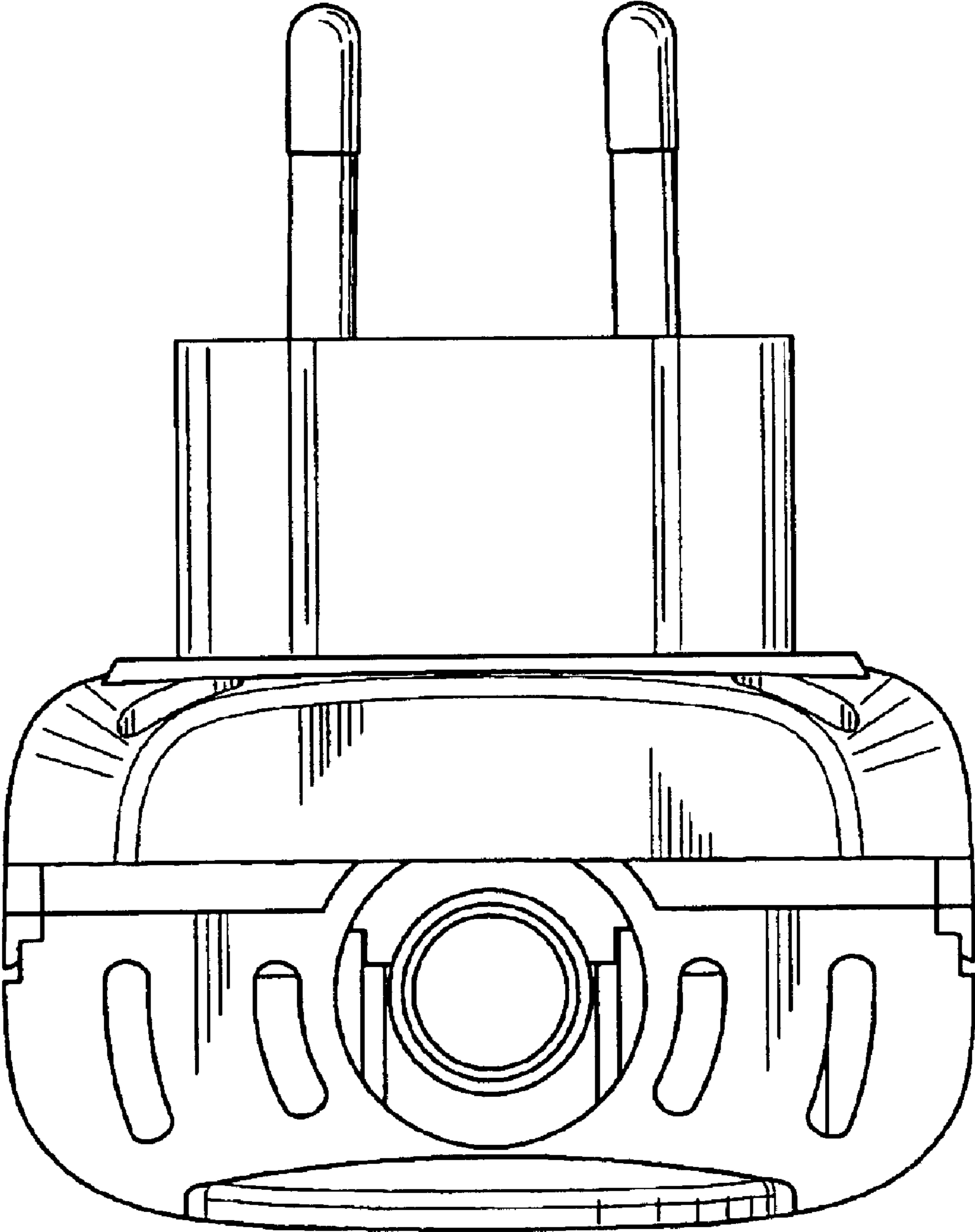


FIG. 8