



US00D511822S

(12) **United States Design Patent**  
**Cole et al.**

(10) **Patent No.:** **US D511,822 S**  
(45) **Date of Patent:** **\*\* Nov. 22, 2005**

(54) **DUAL AIR PARTICLE SAMPLE CASSETTE**

(75) Inventors: **Mark A. Cole**, Santa Ana, CA (US);  
**Thomas J. Johnston**, Santa Ana, CA (US)

(73) Assignee: **Innovative Sampling Solutions, Inc.**,  
Garden Grove, CA (US)

(\*\*) Term: **14 Years**

(21) Appl. No.: **29/208,107**

(22) Filed: **Jun. 22, 2004**

(51) **LOC (8) Cl.** ..... **23-04**

(52) **U.S. Cl.** ..... **D23/355**

(58) **Field of Search** ..... D23/355, 364,  
D23/365; D24/232; 73/28.04, 28.05, 863.21,  
863.22, 864.71

(56) **References Cited**

**U.S. PATENT DOCUMENTS**

3,698,161	A	10/1972	Brixius et al. ....	55/493
4,133,202	A	1/1979	Marple .....	73/28
4,827,779	A	5/1989	Marple et al. ....	73/863.22
5,201,231	A *	4/1993	Smith .....	73/863.22
5,553,507	A	9/1996	Basch et al. ....	73/863.01
5,693,895	A	12/1997	Baxter .....	73/863.22
5,702,506	A	12/1997	Shih et al. ....	95/287
D422,071	S	3/2000	Miller et al. ....	D23/365
6,272,937	B1 *	8/2001	Mengel et al. ....	73/863.21
6,342,388	B1	1/2002	Van Den Wildenberg .....	435/287.1

6,446,514	B1 *	9/2002	Danylewych-May et al. ....	73/863.21
6,472,203	B1 *	10/2002	Gallup et al. ....	435/309.1
6,550,347	B2 *	4/2003	Bradley .....	73/863.21
6,565,638	B1	5/2003	Sugita et al. ....	96/413
6,729,196	B2 *	5/2004	Moler et al. ....	73/863.22
6,807,874	B2 *	10/2004	Totoki .....	73/864.71
2003/0075048	A1	4/2003	Jordan et al. ....	95/285

**FOREIGN PATENT DOCUMENTS**

WO WO 03/002981 A1 1/2003

\* cited by examiner

*Primary Examiner*—Robin V. Taylor

(74) *Attorney, Agent, or Firm*—Cislo & Thomas LLP

(57) **CLAIM**

I claim the ornamental design for a dual air particle sample cassette, as shown and described.

**DESCRIPTION**

FIG. 1 is a top side perspective view of my dual air particle sample cassette;

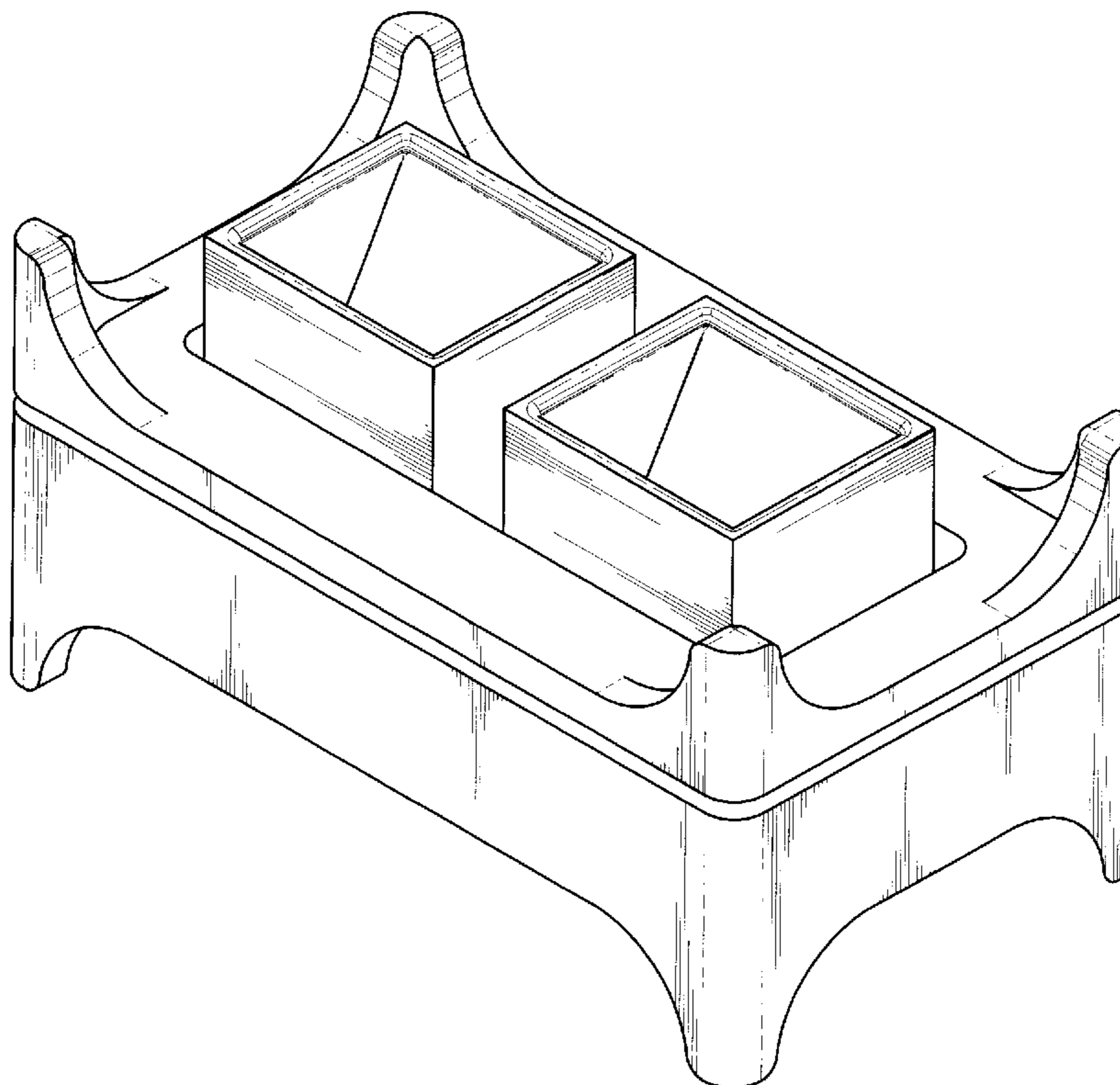
FIG. 2 is a top plan view thereof;

FIG. 3 is a bottom plan view thereof;

FIG. 4 is a side plan view thereof, with the opposite side being a mirror image of the side shown in FIG. 4; and,

FIG. 5 is an end plan view thereof with the opposite end being a mirror image of the view shown in FIG. 5.

**1 Claim, 3 Drawing Sheets**



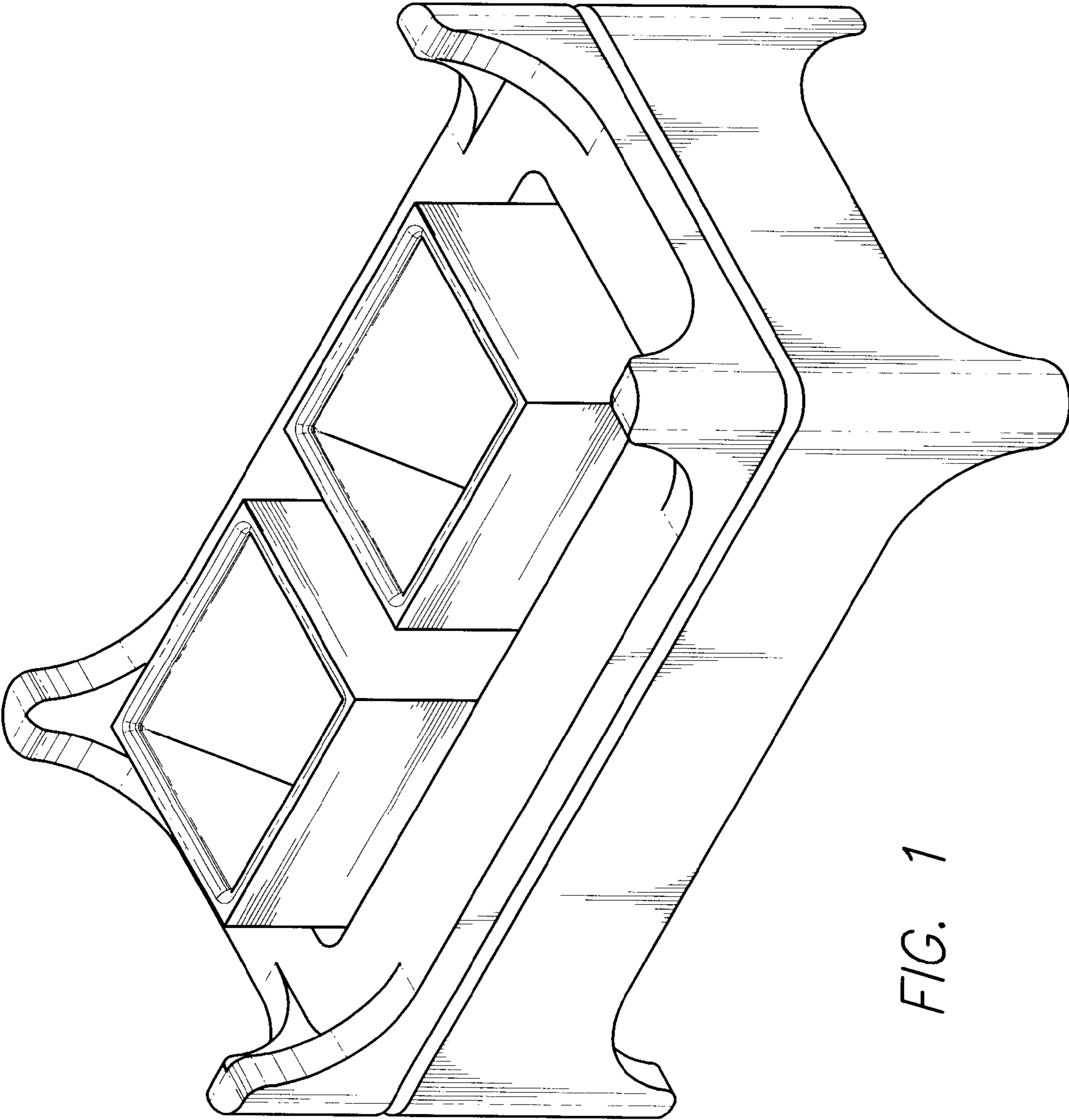


FIG. 1

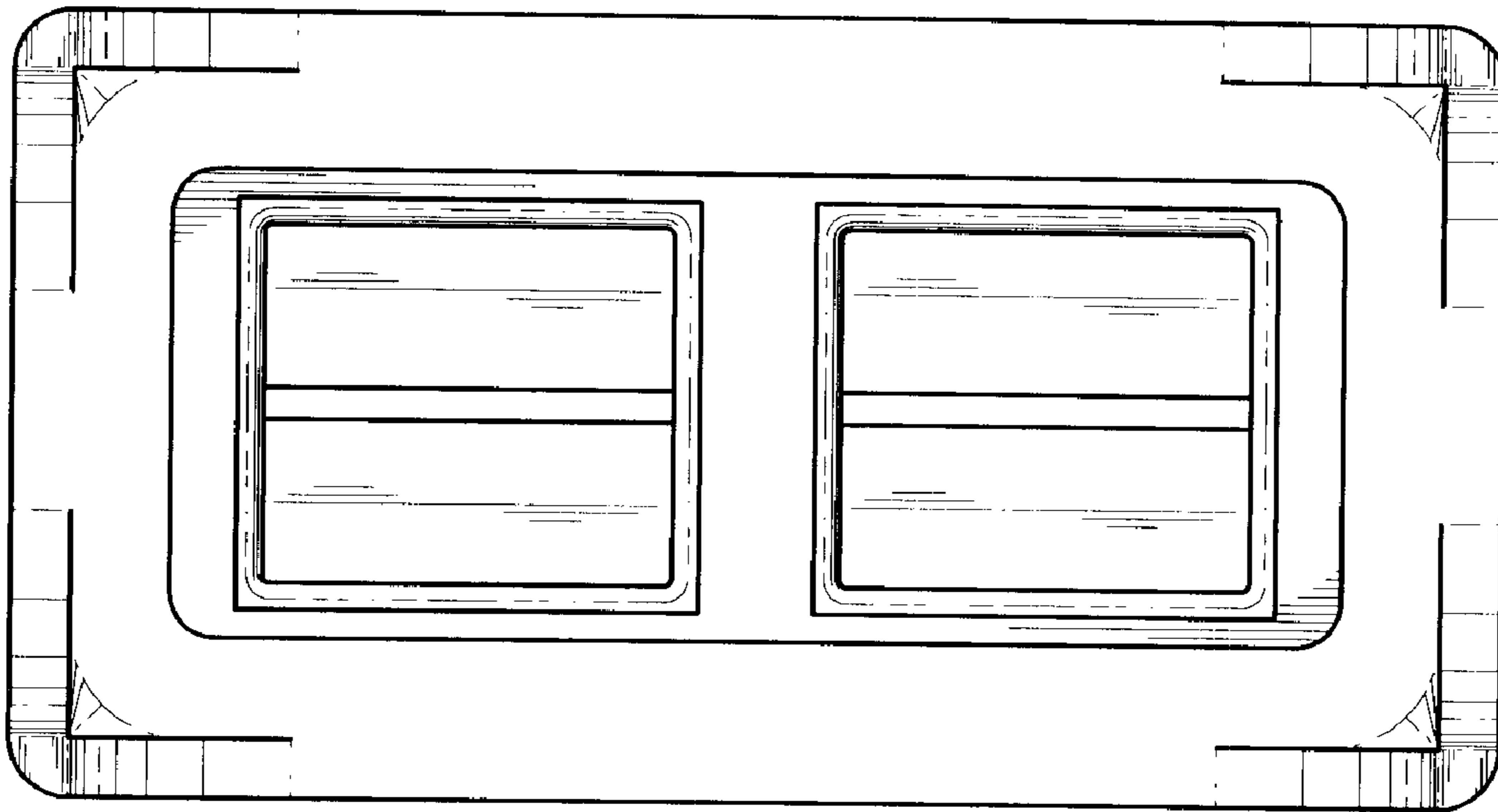


FIG. 2

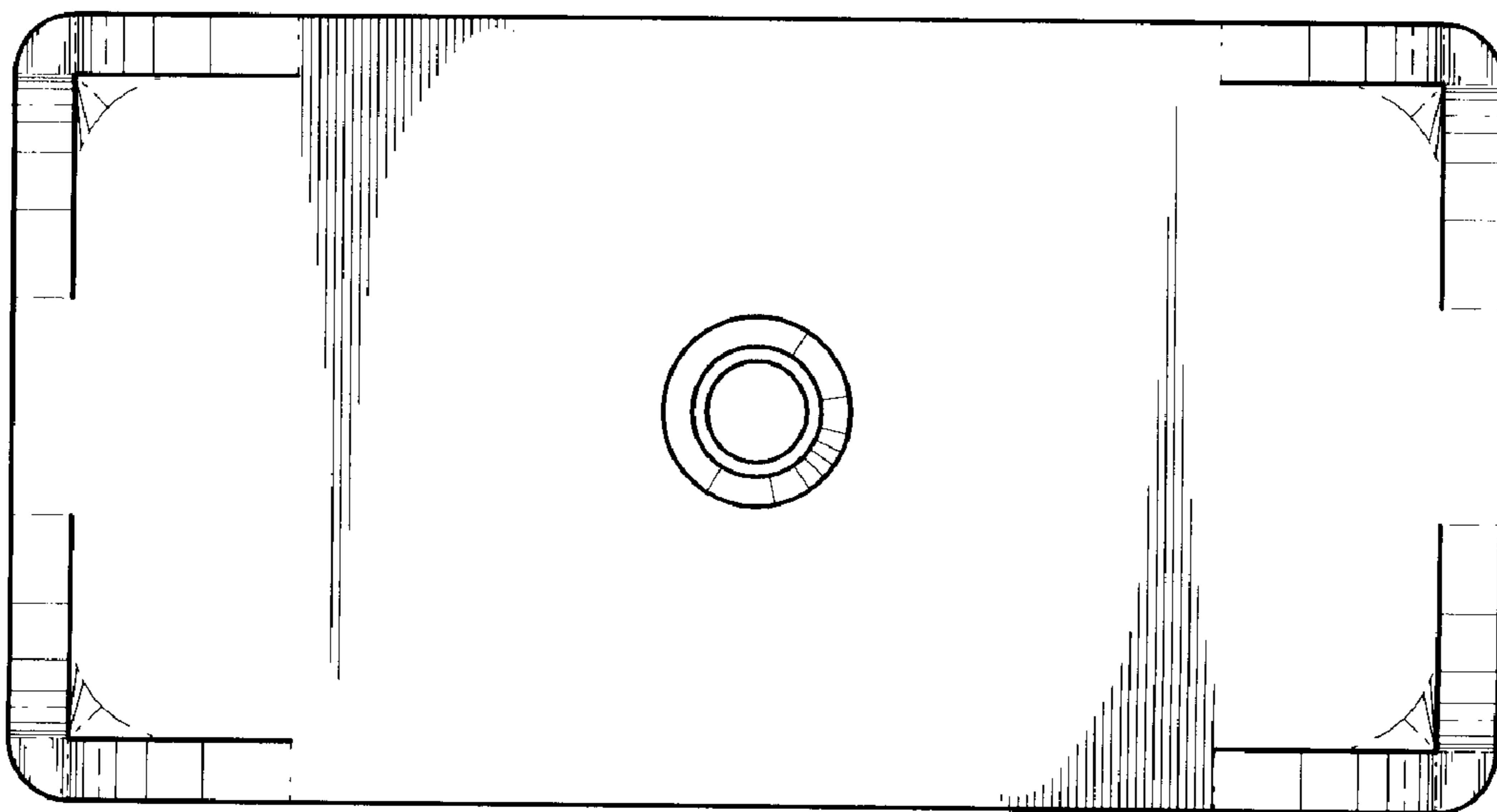


FIG. 3

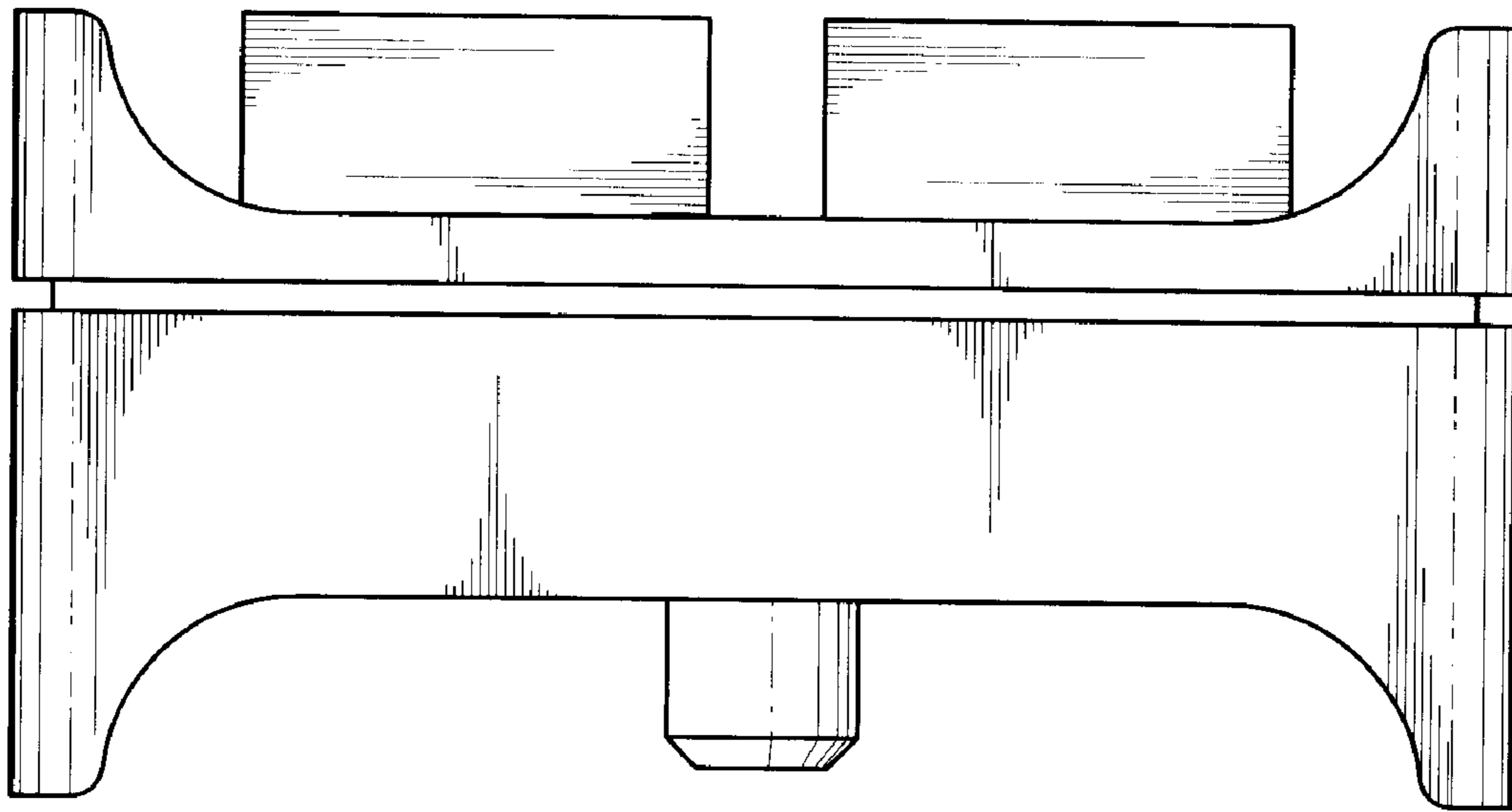


FIG. 4

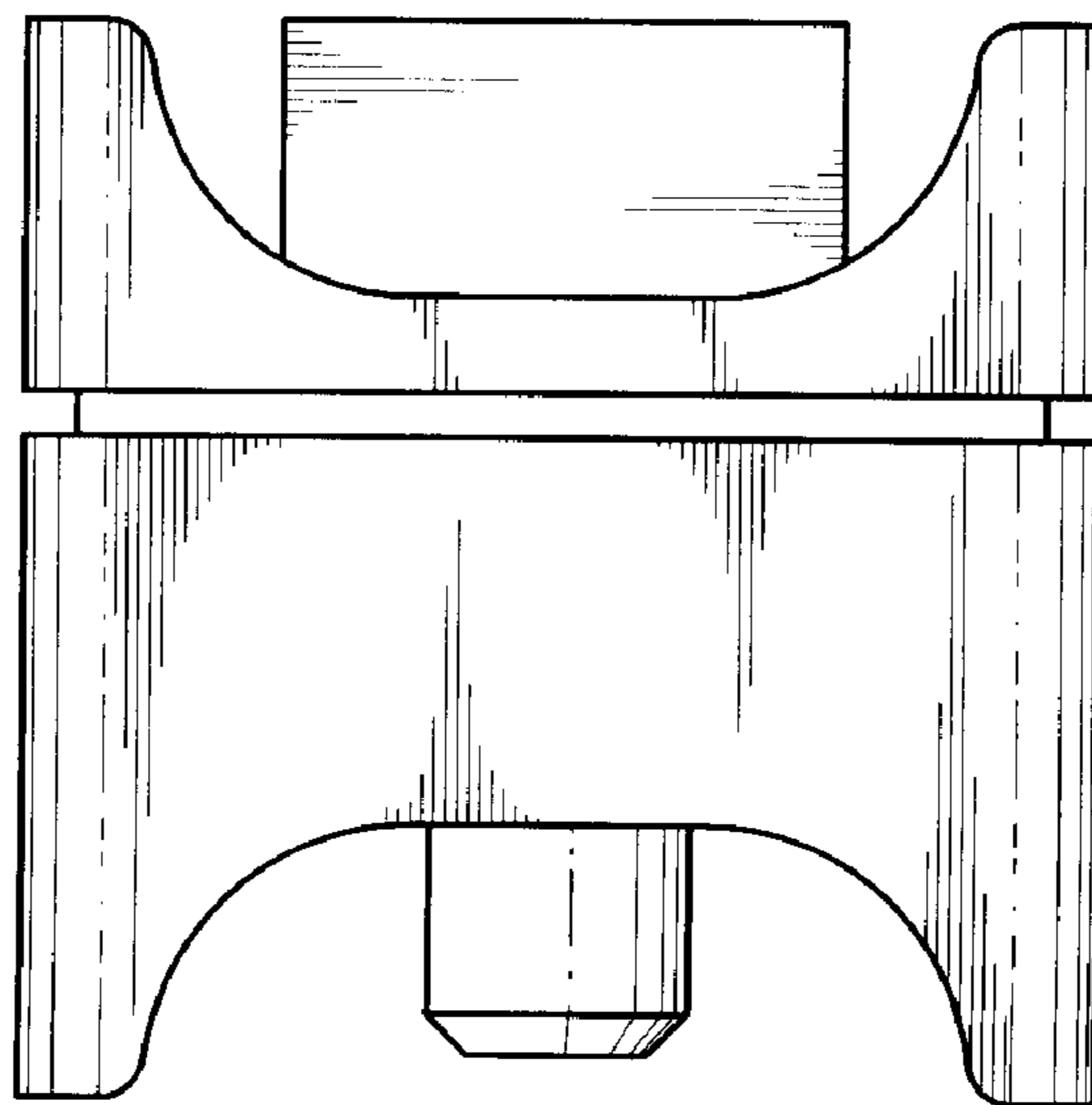


FIG. 5