



US00D511821S

(12) **United States Design Patent** (10) **Patent No.:** **US D511,821 S**
Loberger et al. (45) **Date of Patent:** **** Nov. 22, 2005**

(54) **LAVATORY SYSTEM**

(75) Inventors: **John M. Loberger**, Germantown, WI (US); **Graeme S. Bayley**, Brookfield, WI (US)

(73) Assignee: **Bradley Fixtures Corporation**, Menomonee Falls, WI (US)

(**) Term: **14 Years**

(21) Appl. No.: **29/211,613**

(22) Filed: **Aug. 18, 2004**

(51) **LOC (8) Cl.** **23-02**

(52) **U.S. Cl.** **D23/308**

(58) **Field of Search** D23/270–273,
D23/286–290, 293.1, 303, 308; 4/662–665,
630–631, 637–643, 661; D6/511, 422, 483;
108/50.01

(56) **References Cited**

U.S. PATENT DOCUMENTS

D30,135 S	*	2/1899	Peet	D23/293.1
D36,127 S	*	10/1902	Madden	D23/288
D36,575 S	*	10/1903	Zipp	D23/293.1
D36,595 S	*	10/1903	Peet	D23/290
D74,016 S	*	12/1927	Levien	D6/511
D83,354 S	*	2/1931	Schott	D6/511
D132,243 S	*	4/1942	Pressman	D6/483
D134,727 S	*	1/1943	Weber	D6/422
2,558,443 A	*	6/1951	Krenov	4/664
5,369,818 A		12/1994	Barnum et al.		
D358,852 S	*	5/1995	Monneret	D6/422
5,611,093 A		3/1997	Barnum et al.		
5,704,298 A	*	1/1998	Corpuz et al.	180/50.01
5,765,315 A	*	6/1998	Nagamitsu et al.	108/50.01
5,855,029 A	*	1/1999	Flippen, Sr.	4/664
D411,876 S	*	7/1999	Hafner et al.	D23/290
D447,224 S	*	8/2001	Barnum et al.	D23/308
D477,060 S		7/2003	Loberger et al.		
D484,958 S		1/2004	Logerger et al.		
D496,450 S		9/2004	Loberger et al.		

OTHER PUBLICATIONS

Bradley Corporation, The Bradley Express Lavatory System, bearing a designation “© 1996 Bradley Corporation”.
Bradley Corporation, Crescent® and Image® Lavatory System, bearing a designation “1999newproducts”.
Bradley Corporation, Frequency Lavatory System, bearing a designation “© Bradley Corp 2003”.
Bradley Corporation, Plumbing Fixtures, bearing a designation “2001”.

* cited by examiner

Primary Examiner—Robert A. Delehanty

(74) *Attorney, Agent, or Firm*—Foley & Lardner LLP

(57) **CLAIM**

We claim the ornamental design for a lavatory system, as shown and described.

DESCRIPTION

FIG. 1 is a perspective view of a lavatory system according to an exemplary embodiment.

FIG. 2 is a top view of the lavatory system of FIG. 1.

FIG. 3 is a front view of the lavatory system of FIG. 1.

FIG. 4 is a rear view of the lavatory system of FIG. 1.

FIG. 5 is a bottom view of the lavatory system of FIG. 1.

FIG. 6 is a left side view of the lavatory system of FIG. 1.

FIG. 7 is a right side view of the lavatory system of FIG. 1.

FIG. 8 is a perspective view of a lavatory system according to an exemplary embodiment.

FIG. 9 is a top view of the lavatory system of FIG. 8.

FIG. 10 is a front view of the lavatory system of FIG. 8.

FIG. 11 is a rear view of the lavatory system of FIG. 8.

FIG. 12 is a bottom view of the lavatory system of FIG. 8.

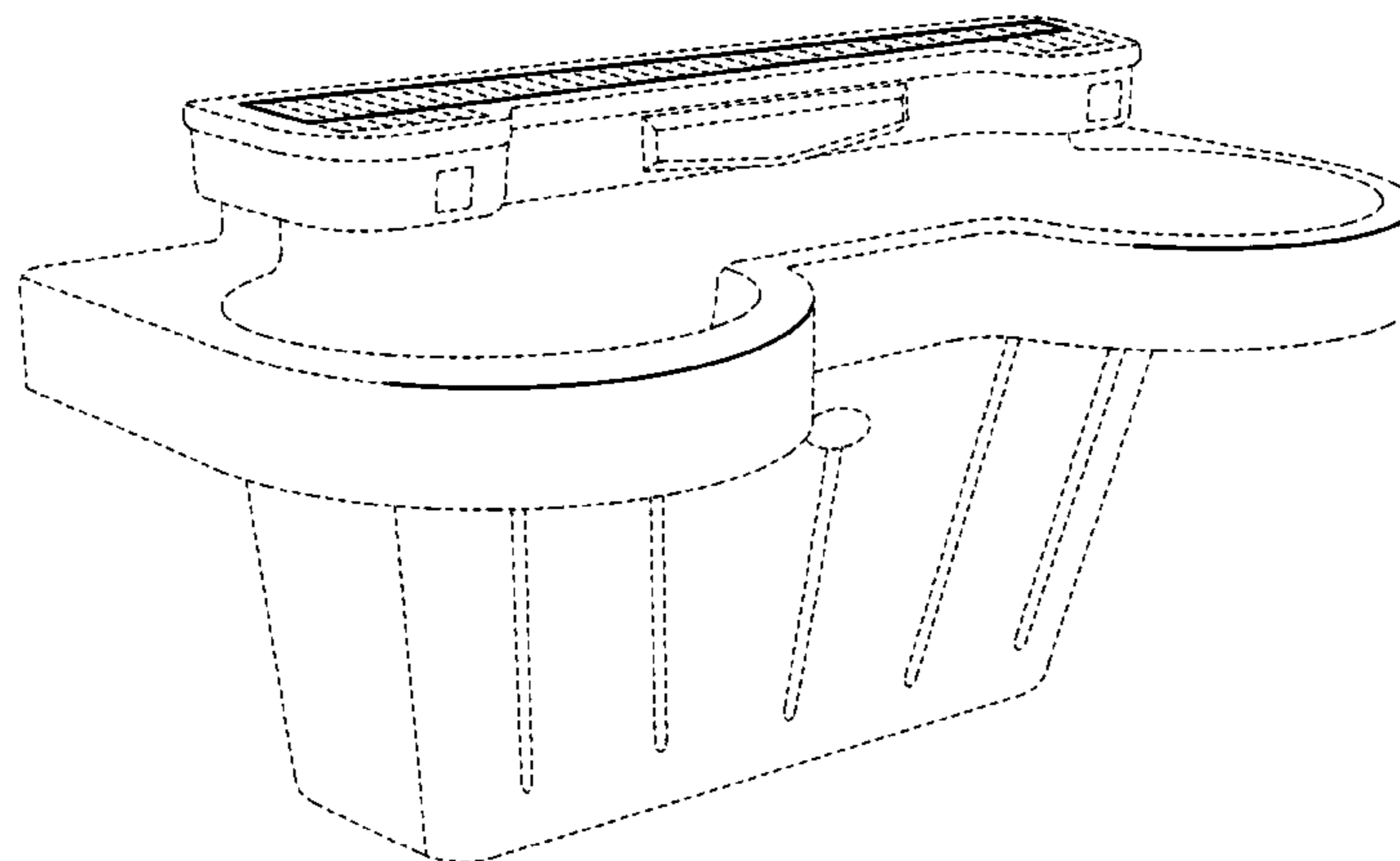
FIG. 13 is a left side view of the lavatory system of FIG. 8;

and,

FIG. 14 is a right side view of the lavatory system of FIG. 8.

The ornamental design which is claimed is shown in solid lines in the drawings. The broken lines in the drawings are for illustrative purposes only and form no part of the claimed design.

1 Claim, 8 Drawing Sheets



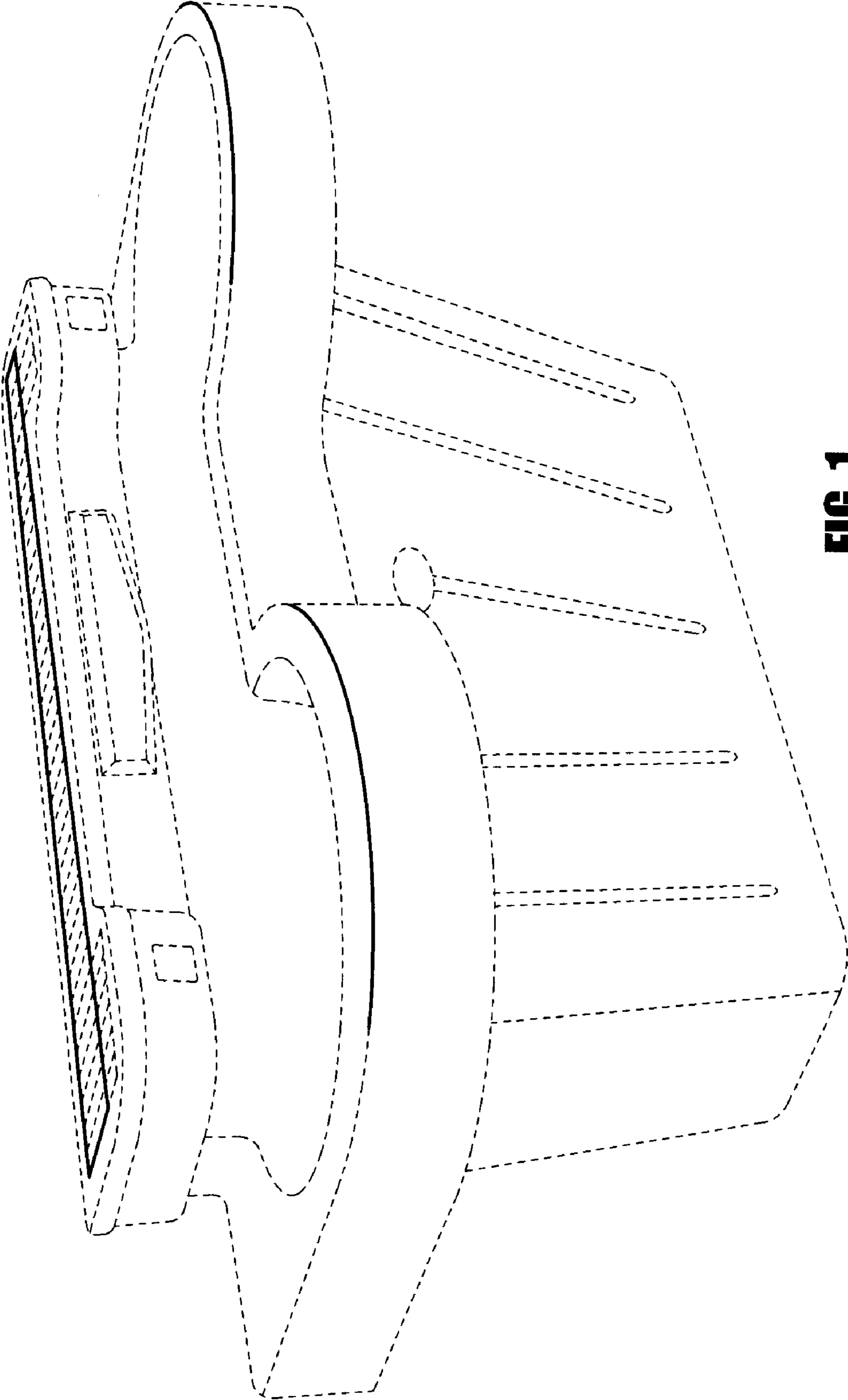


FIG. 1

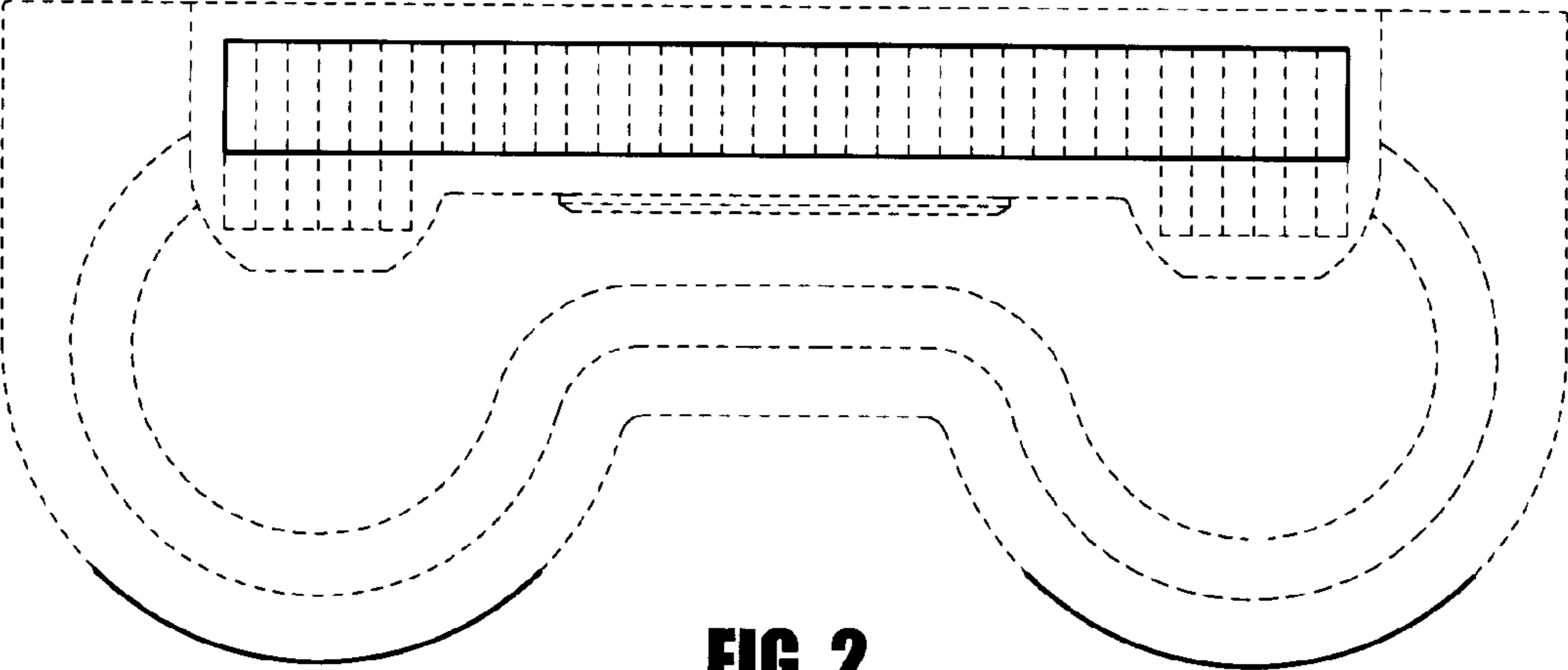


FIG. 2

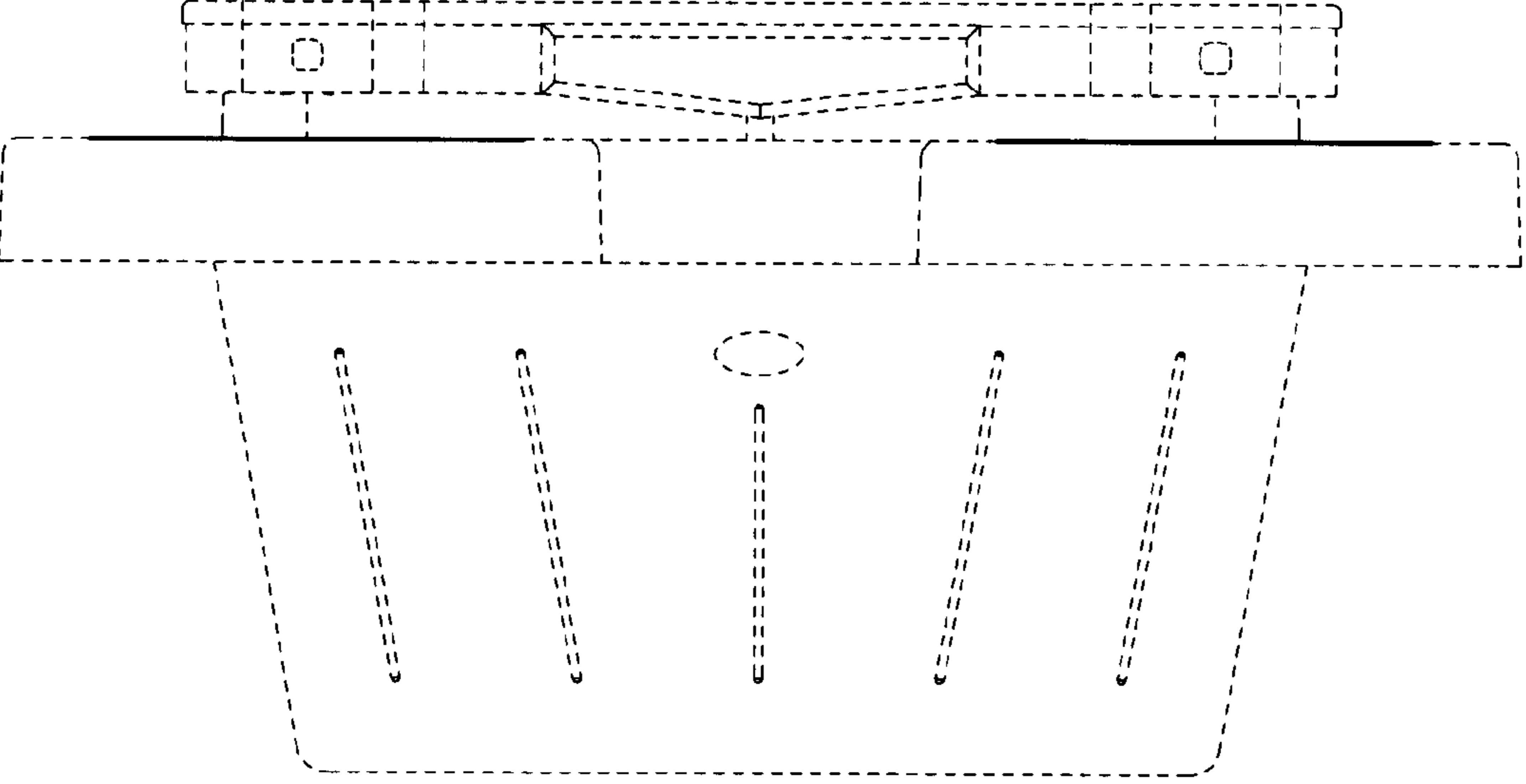


FIG. 3

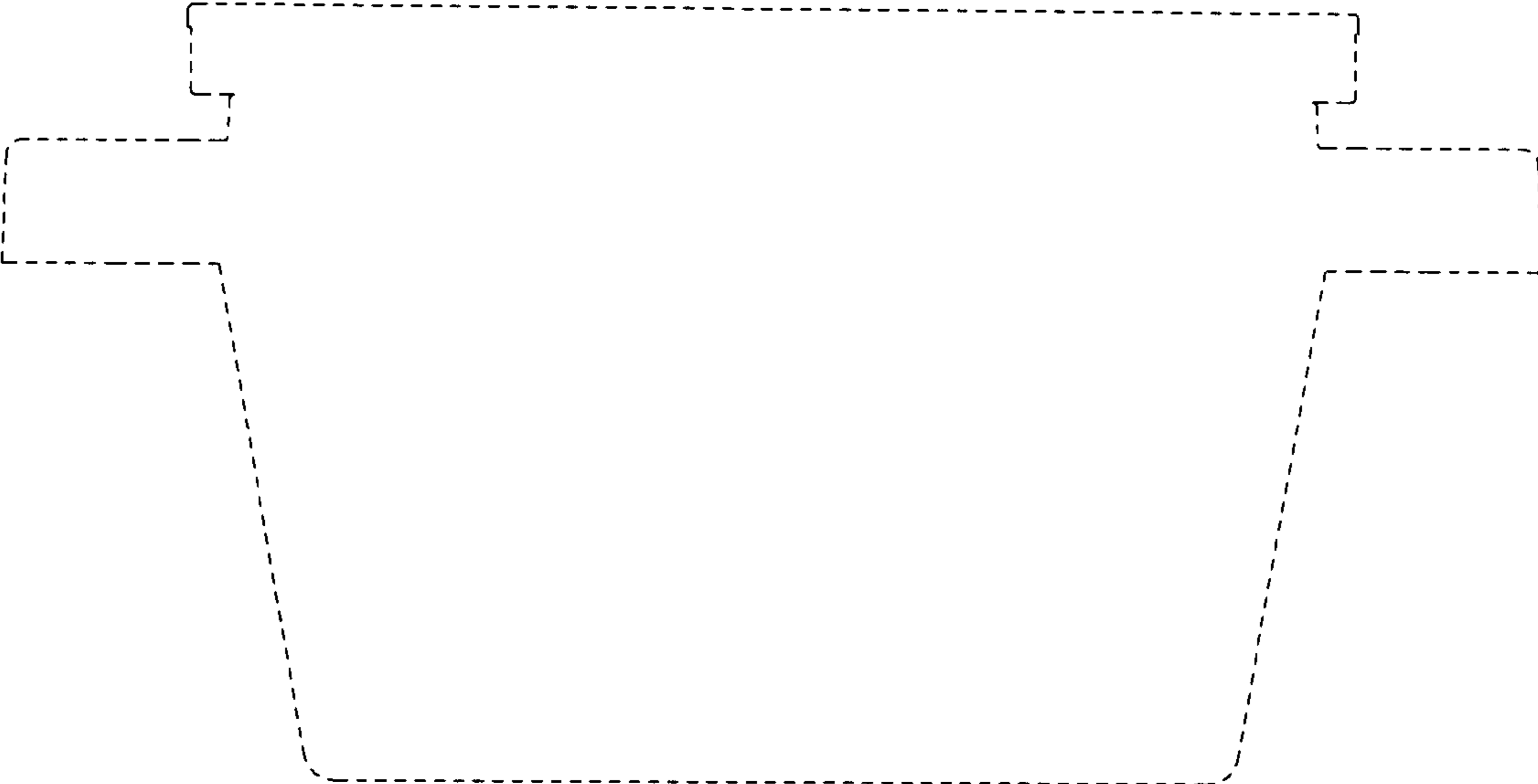


FIG. 4

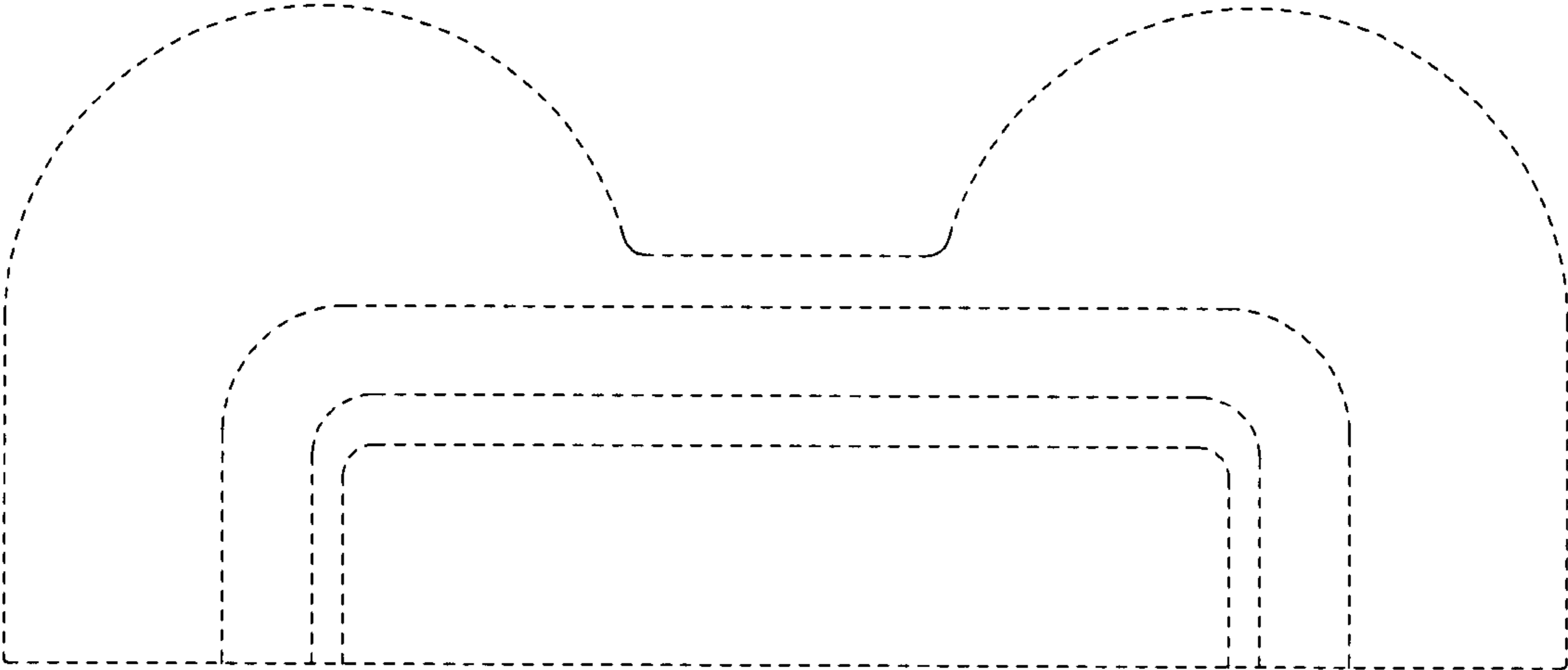


FIG. 5

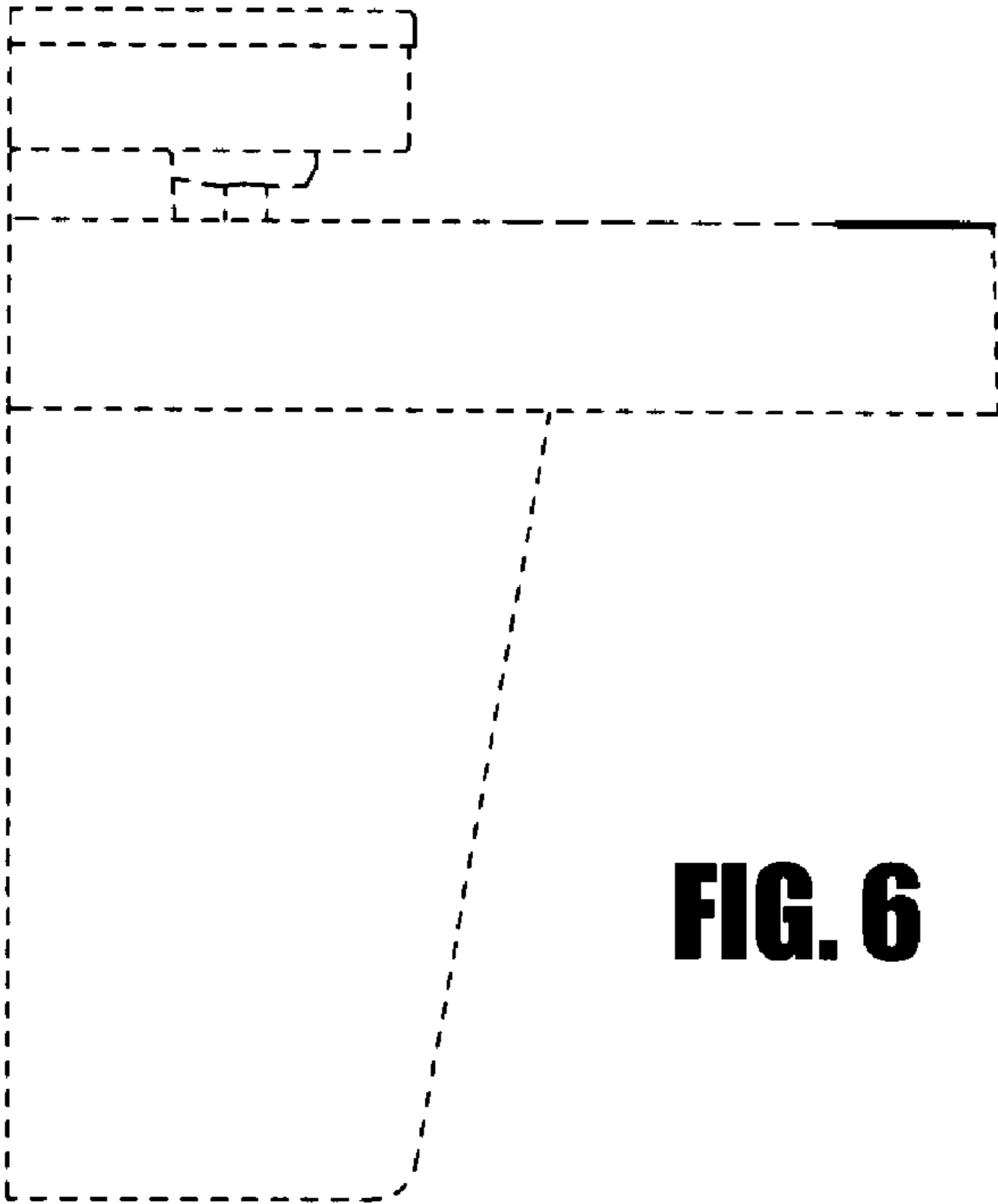


FIG. 6

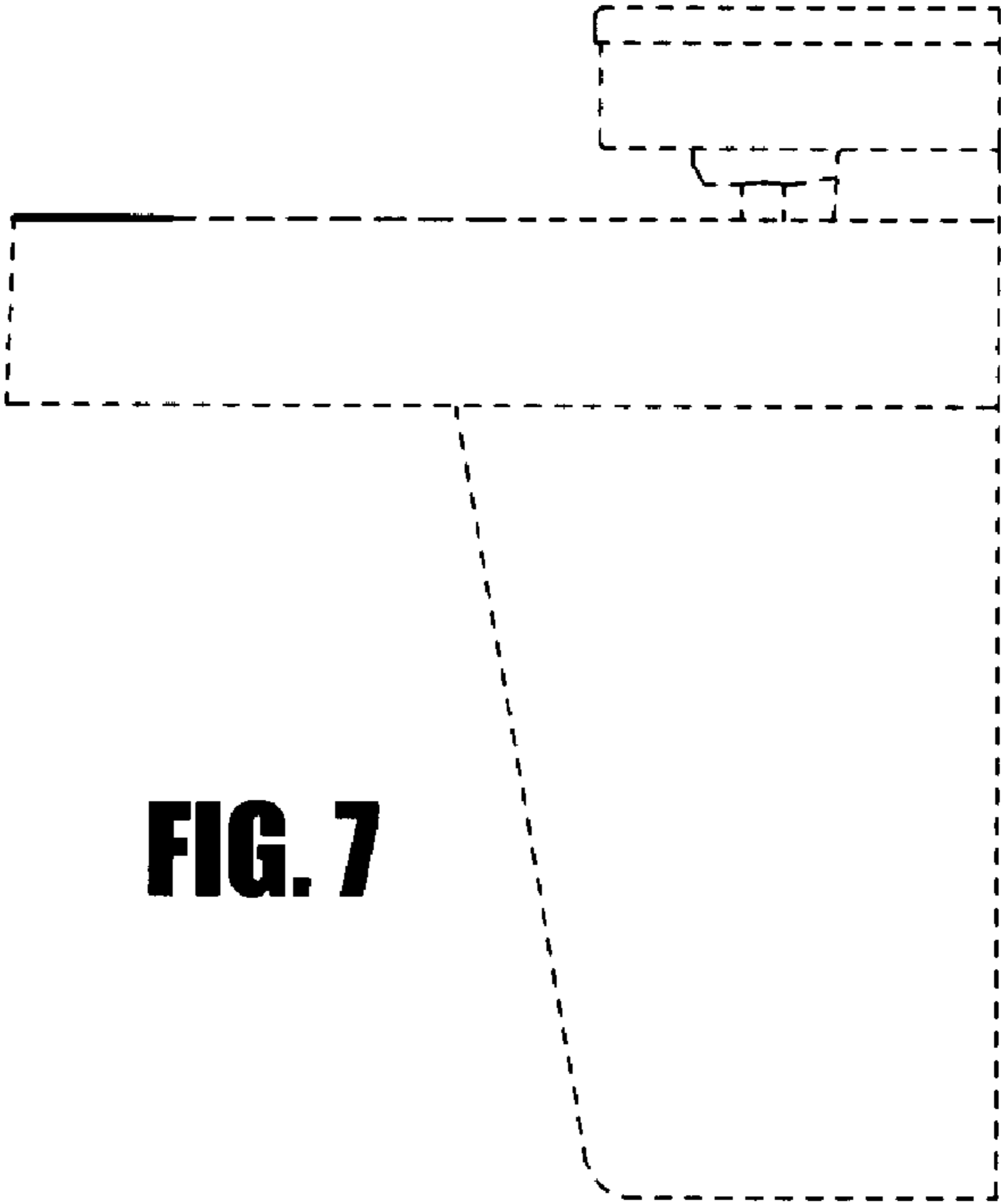


FIG. 7

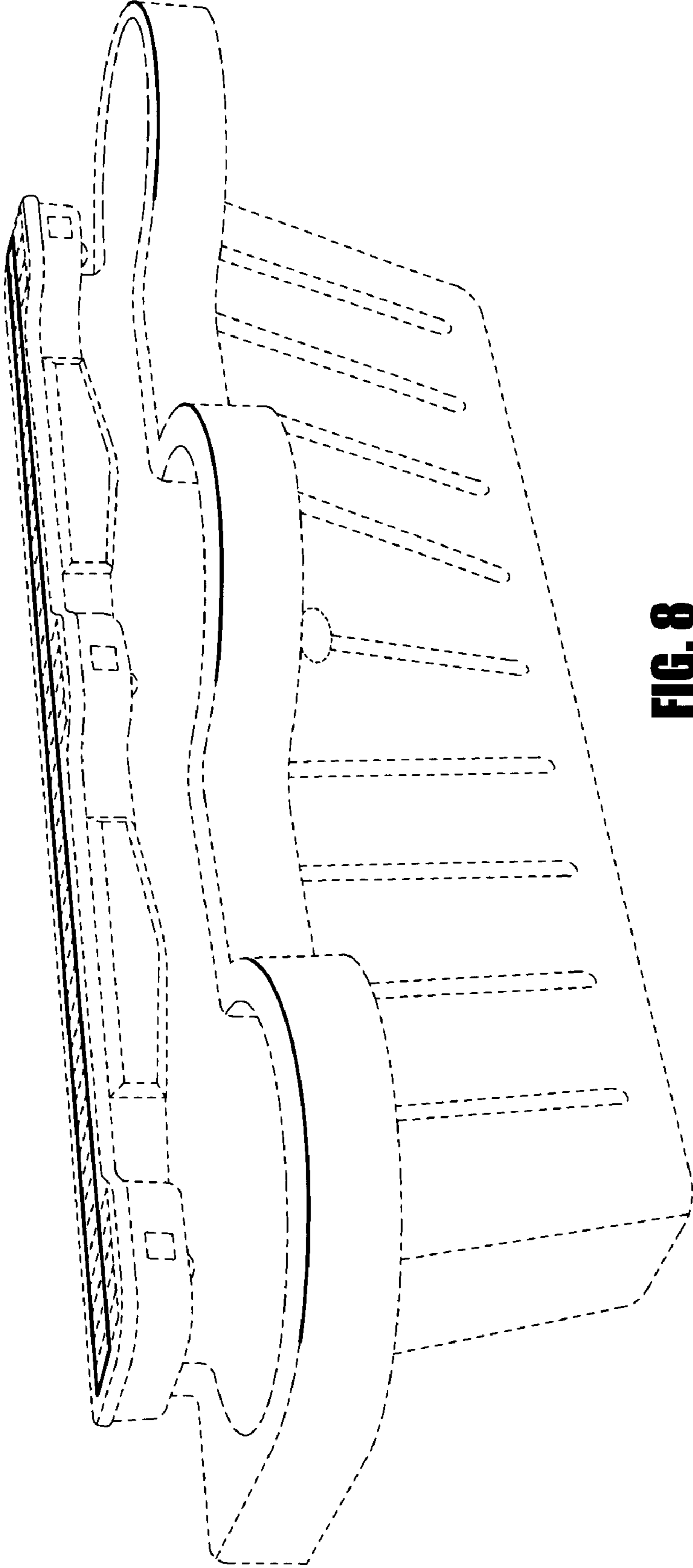


FIG. 8

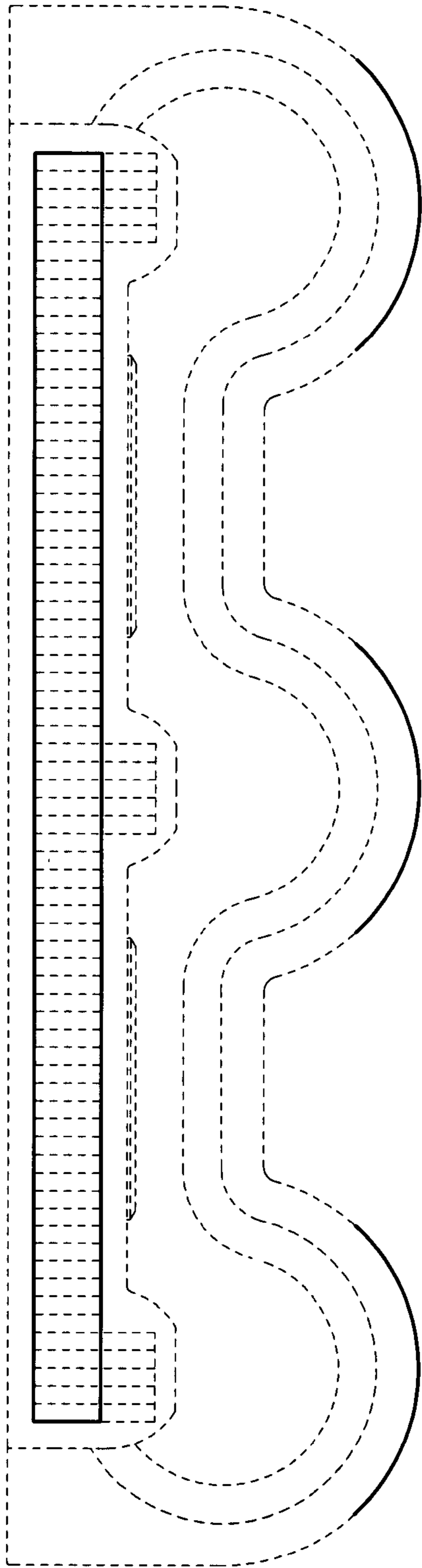


FIG. 9

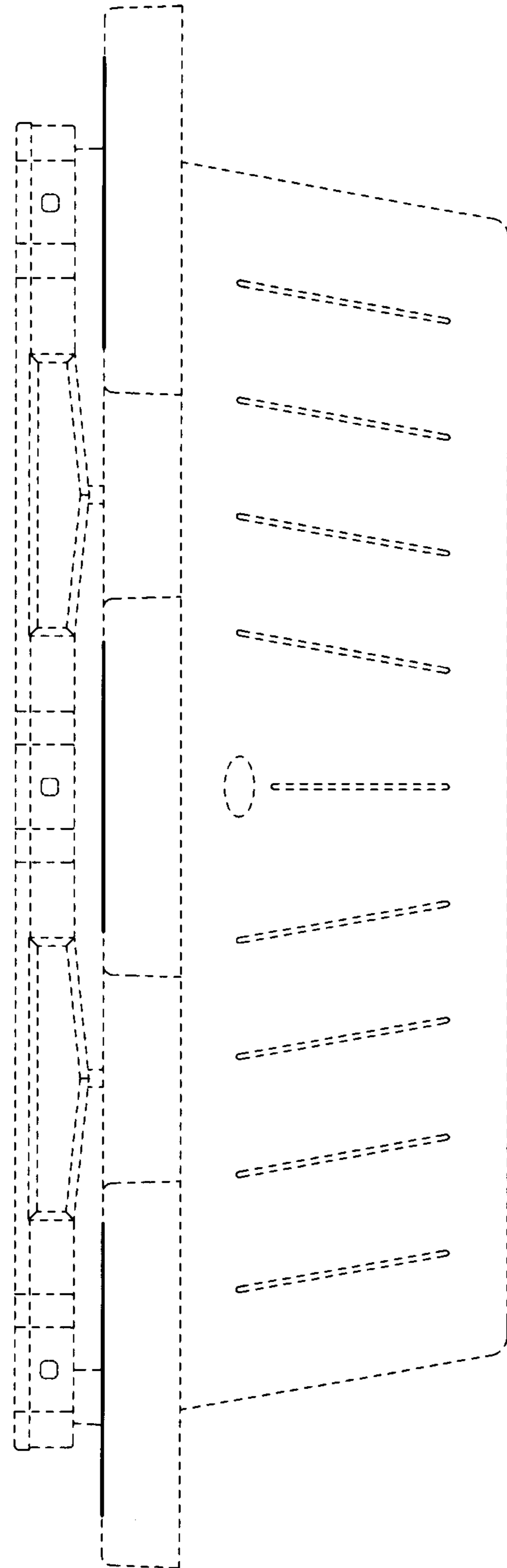


FIG. 10

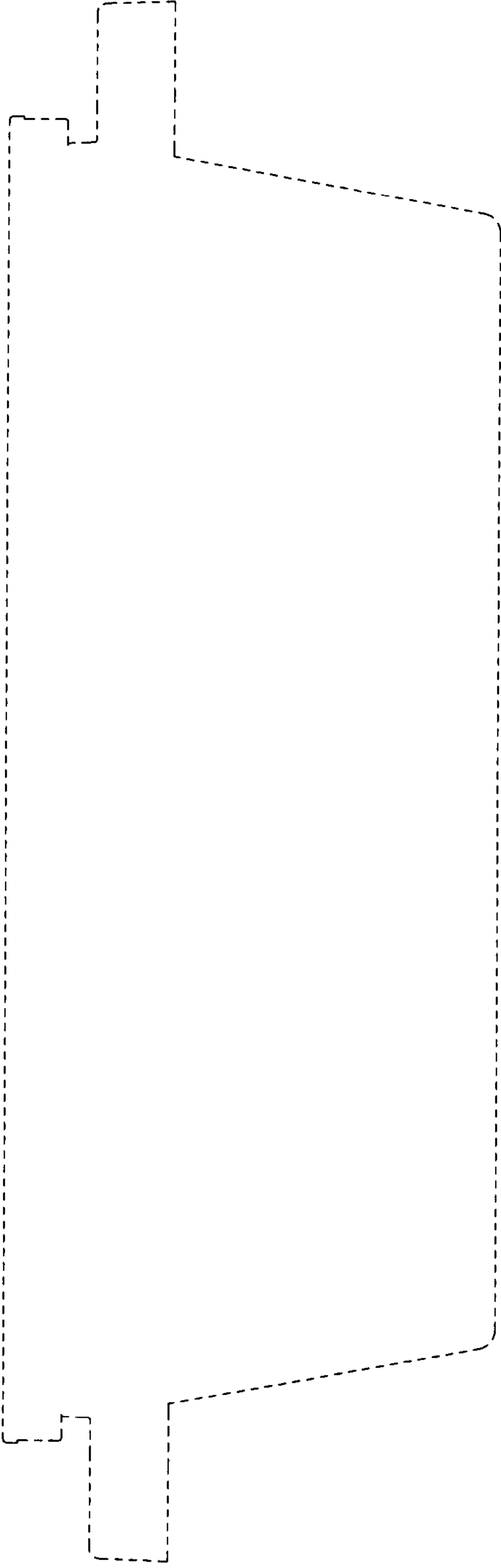


FIG. 11

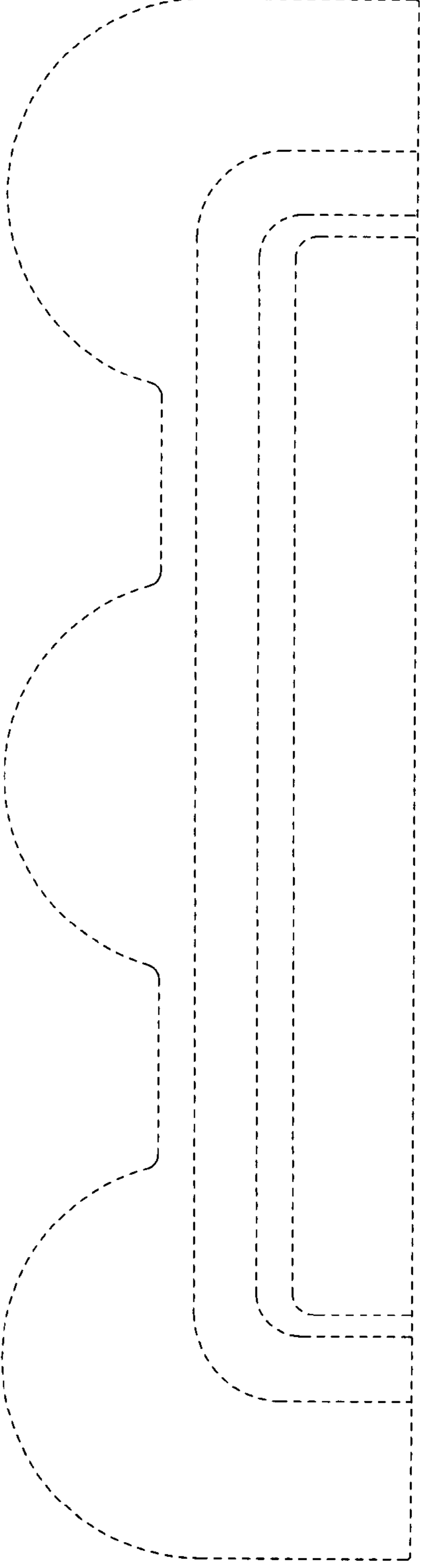


FIG. 12

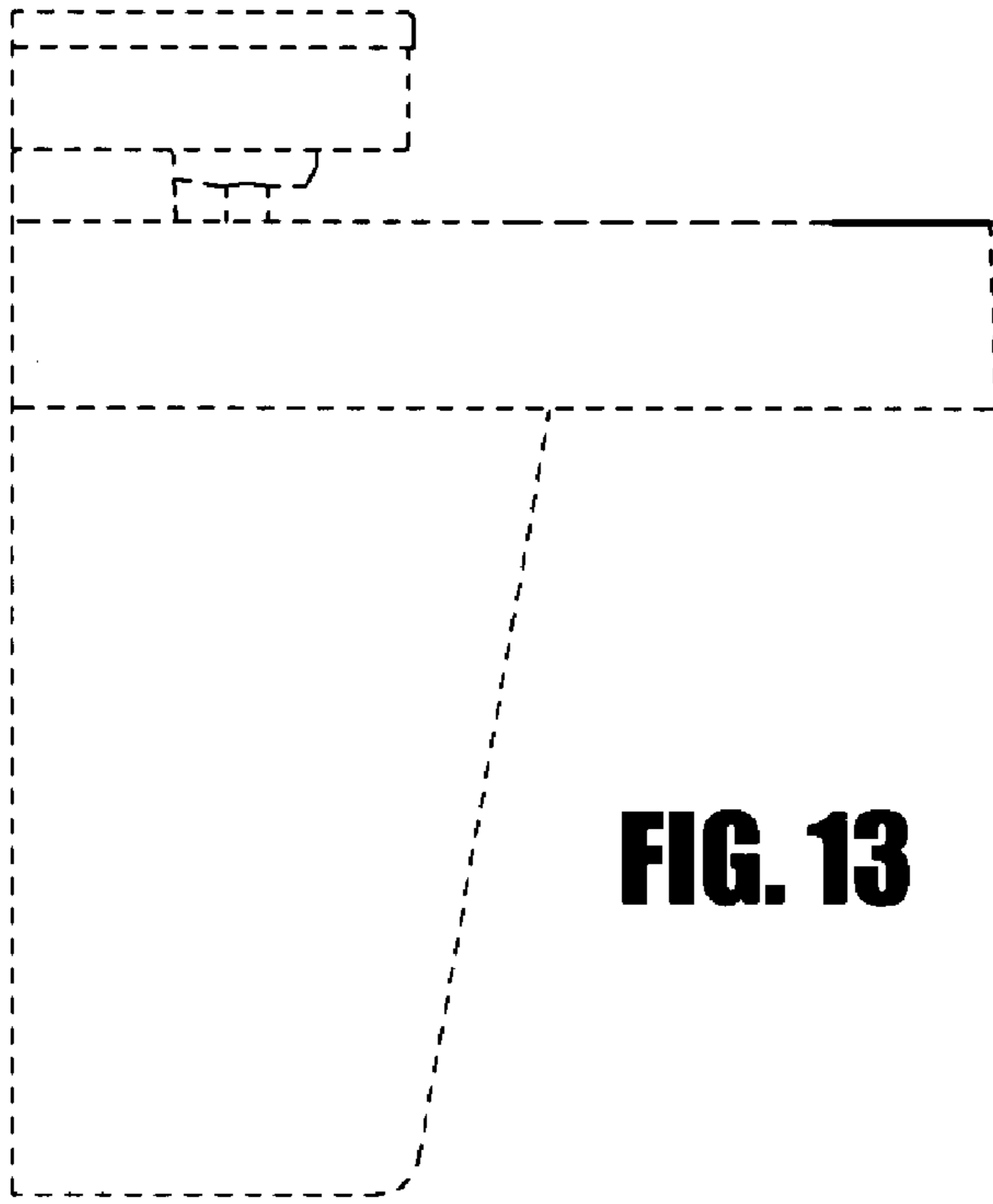


FIG. 13

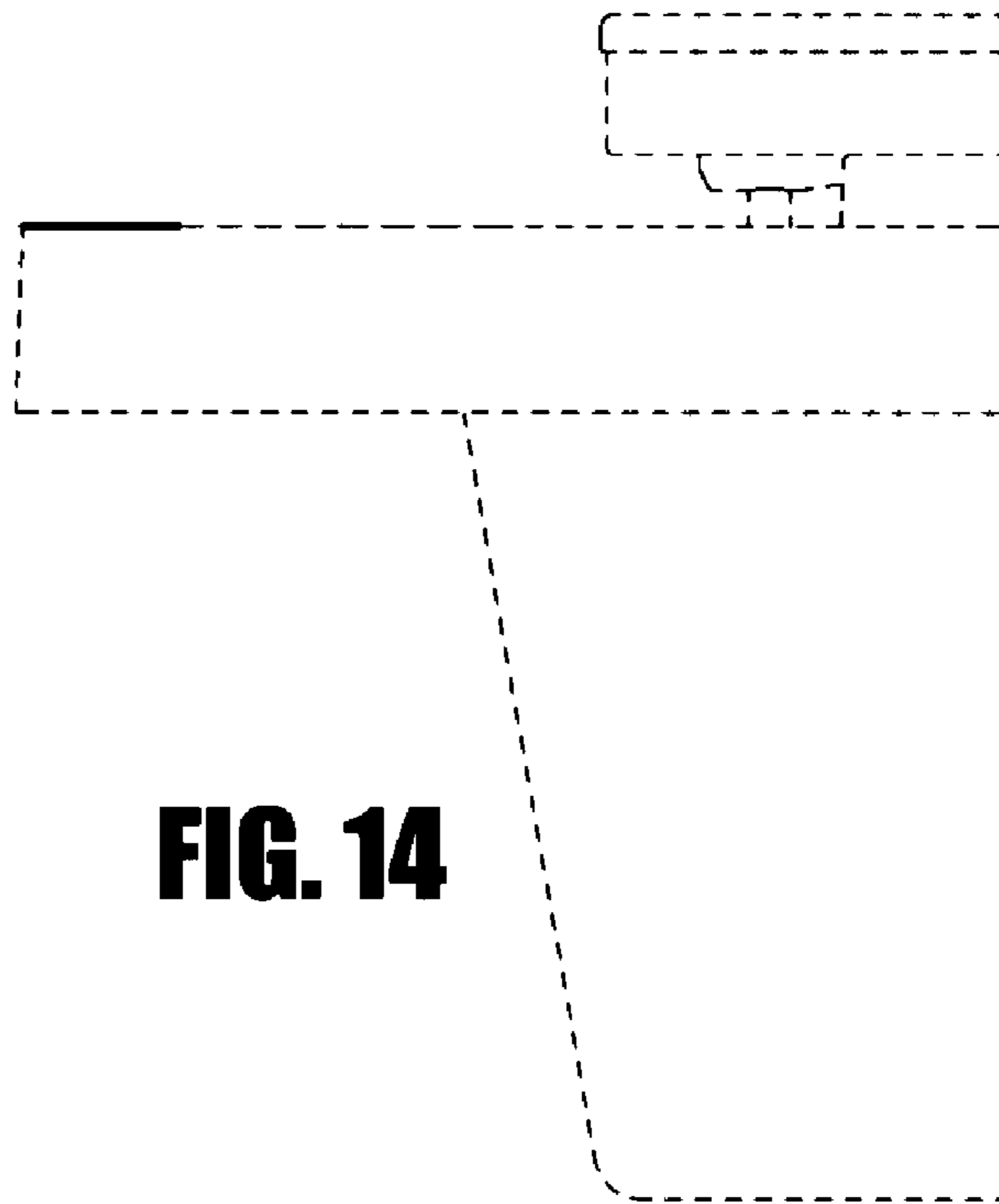


FIG. 14